

# Service Manual

- Sec. 1** *Operating Instructions*
- Sec. 2** *Disassembly Procedures*
- Sec. 3** *Mechanism*
- Sec. 4** *Electrical Adjustments*
- Sec. 5** *Block Diagrams*
- Sec. 6** *Schematic Diagrams*
- Sec. 7** *Circuit Board Diagrams*
- Sec. 8** *Exploded Views & Replacement Parts List*

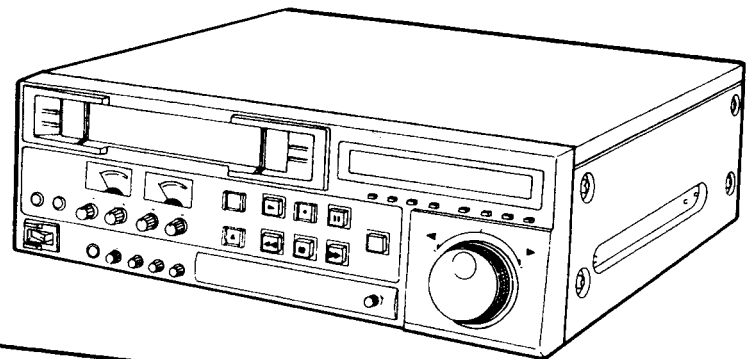


Editing Video Cassette Recorder

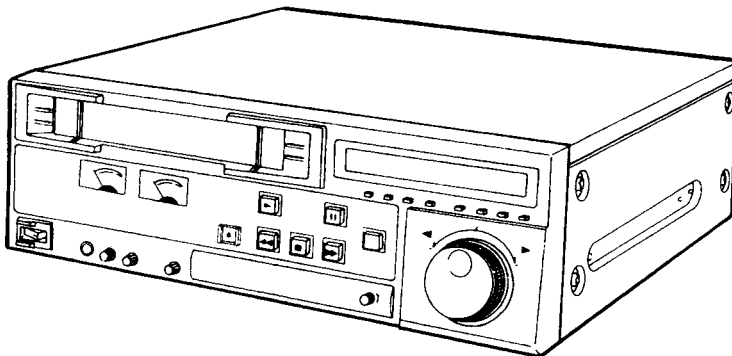
## AG-8700E

Editing Video Cassette Player

## AG-8600E



**AG-8700E**



**AG-8600E**

Please file and use this Service Manual together with the Service Manual of AG-7700E/7600E (Order No. VSD9502M642) for The Mechanism (Sec. 3), Electrical Adjustment (Sec. 4), Schematic Diagrams (Sec. 6) and Circuit Board Diagrams (Sec. 7).

# Panasonic

© 1995 Matsushita Electric Industrial Co., Ltd. All rights reserved.  
Unauthorized copying and distribution is a violation of law.

# Specifications

## General

Power Supply:	220 – 240 V AC, 50 – 60 Hz
Power Consumption:	AG-8700; 82 W AG-8600; 68 W

is the safety information.

Recording System:	2 head-helical scanning, azimuth recording, S-VHS/VHS standards
Tape Speed:	23.39 mm/sec (under normal conditions)
Tape:	S-VHS tape, VHS tape
Recording Time:	180 minutes (with NV-E180)
FF/REW Time:	Approx. 2 minutes (with NV-E180)
Operating Humidity:	35% to 80%
Operating Temperature:	5°C – 40°C (during operation)
Dimensions (W × H × D)	424 × 131.5 × 415 mm
Weight:	About 11.5 kg

## Video

Television Format:	PAL TV system;	625 lines, 50 fields
Input/Output:	Line (BNC);	1.0 Vp-p, 75 Ω
(For "Input", AG-8700 only)	S-VIDEO (4P);	Y: 1.0 Vp-p, 75 Ω C: 0.3 Vp-p, 75 Ω (burst)
	COMPONENT (BNC);	Y: 1.0 Vp-p, 75 Ω P <sub>u</sub> : 525 mVp-p, 75 Ω P <sub>v</sub> : 525 mVp-p, 75 Ω (75% Colour Bar without set-up)
Horizontal Resolution:	VHS;	250 lines
	S-VHS;	400 lines
S/N Ratio:	VHS;	45 dB (SC ON, colour mode)
	S-VHS;	46 dB (SC ON, colour mode)

## Audio

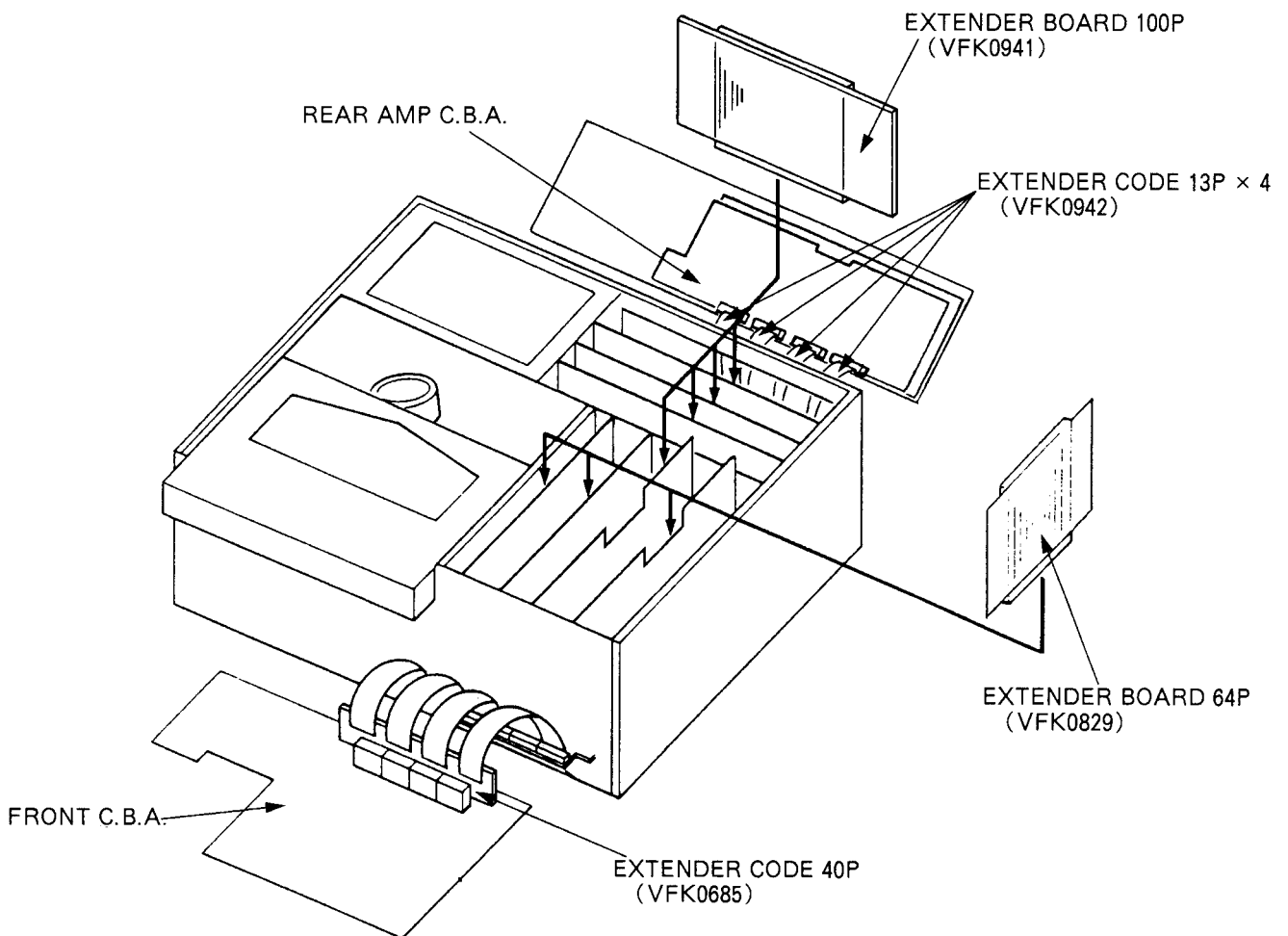
Input:	Line Hi-Fi (XLR);	+4/0/-6 dBs, hi impedance, balanced
(AG-8700 only)	Line NORM (XLR);	+4/0/-6 dBs, hi impedance, balanced
	MIC;	-50 dBv, 4.7 kΩ, unbalanced
	Time code (BNC);	1.0 Vp-p, 10 kΩ, unbalanced
Output:	Line Hi-Fi (XLR);	+4/0/-6 dBs, 50 Ω, balanced
	Line NORM (XLR);	+4/0/-6 dBs, 50 Ω, balanced
	Headphones (6.3 mm);	-60 dBv ~ -20 dBv, 8 Ω, unbalanced
	Monitor (phono);	0 dBv, 600 Ω unbalanced
	Time code (BNC);	2.4 Vp-p, low impedance, unbalanced
Track Number:	4 tracks (2 normal audio tracks, 2 Hi-Fi audio tracks)	
S/N Ratio:	48 dB (with Dolby NR switch ON, for normal sound)	
Hi-Fi dynamic range:	More than 90 dB	
Audio Frequency Response:	50 Hz to 12 kHz (normal sound) 20 Hz to 20 kHz (Hi-Fi sound)	

Weight and dimensions shown are approximate.  
Specifications are subject to change without notice.

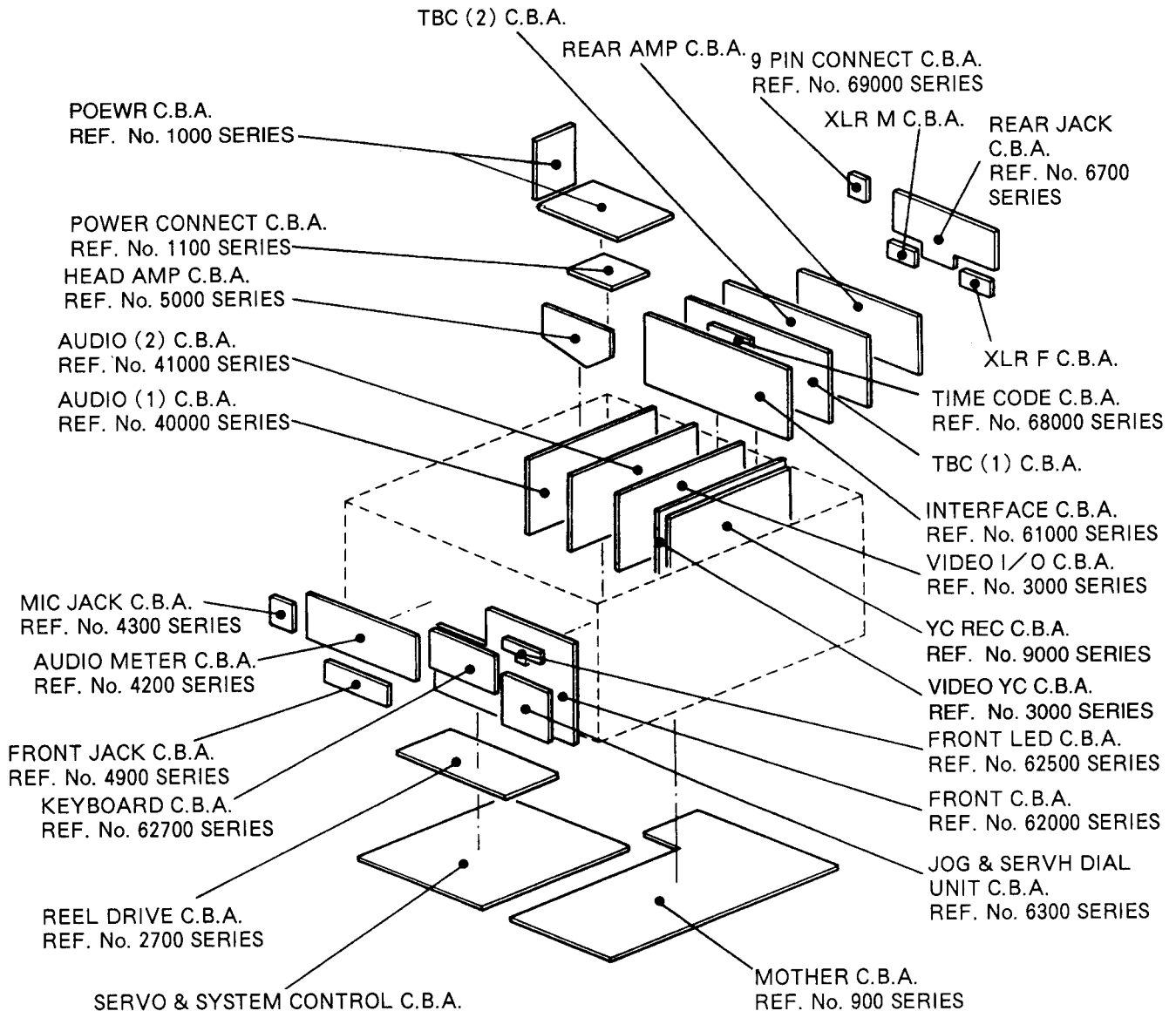
# SERVICE INFORMATION

## 1 EXTENDERS

1. EXTENDER BOARD 100P (VFK0941) SAME AS AG-7700 etc.  
FOR INTERFACE, TBC (1), TBC (2) and VIDEO I/O P.C.BOARDs
2. EXTENDER CODE 13P (VFK0942) SAME AS AG-7700 etc. × 4  
FOR REAR AMP (JACK) P.C.BOARD
3. EXTENDER CODE 40P (VFK0685) SAME AS AG-7350 etc.  
FOR FRONT P.C.BOARD
4. EXTENDER BOARD 64P (VFK0829) SAME AS AG-6730 etc.  
FOR VIDEO YC, AUDIO (1), AUDIO (2) P.C.BOARDs



## CIRCUIT BOARD LAYOUT

**SERVO & SYSTEM CONTROL C.B.A.**

REAR AMP AUDIO IN SECTION: REF. No. 1000 SERIES  
 SUB POWER SECTION: REF. No. 1500 SERIES  
 CYL SERVO SECTION: REF. No. 2000 SERIES  
 CAPSTAN SERVO-1 SECTION: REF. No. 2200 SERIES  
 CAPSTAN SERVO-2 SECTION: REF. No. 2200 SERIES  
 CTL AMP SECTION: REF. No. 2300 SERIES  
 WIDE SECTION: REF. No. 2400 SERIES  
 REEL SERVO SECTION: REF. No. 2500 SERIES  
 MOTOR DRIVE-1 SECTION: REF. No. 2700 SERIES  
 MOTOR DRIVE-2 SECTION: REF. No. 2700 SERIES  
 SYSTEM CONTROL SECTION: REF. No. 60000 SERIES  
 SUB SYSTEM CONTROL SECTION:  
 REF. No. 60500 SERIES

**REAR AMP C.B.A.**

REAR AMP SECTION: REF. No. 4000 SERIES  
 REAR AMP SECTION: REF. No. 6600 SERIES

**TBC (1) C.B.A.**

Y MEMORY SECTION: REF. No. 8000 SERIES  
 PB SYNC SEP SECTION: REF. No. 8100 SERIES  
 WRITE PLL SECTION: REF. No. 8100 SERIES  
 CLAMP & AMP SECTION: REF. No. 8200 SERIES  
 C MEMORY SECTION: REF. No. 8300 SERIES  
 G.A. BLOCK SECTION: REF. No. 8400 SERIES  
 READ CLK GEN SECTION: REF. No. 8500 SERIES  
 TBC (1) CONNECTION SECTION: REF. No. 8500 SERIES

**TBC (2) C.B.A.**

ENCODER SECTION: REF. No. 8000 SERIES  
 SYNC GEN-1 SECTION: REF. No. 8600 SERIES  
 SYNC GEN-2 SECTION: REF. No. 8600 SERIES  
 SYNC GEN-3 SECTION: REF. No. 8700 SERIES  
 TBC (2) CONNECTION SECTION: REF. No. 8900 SERIES

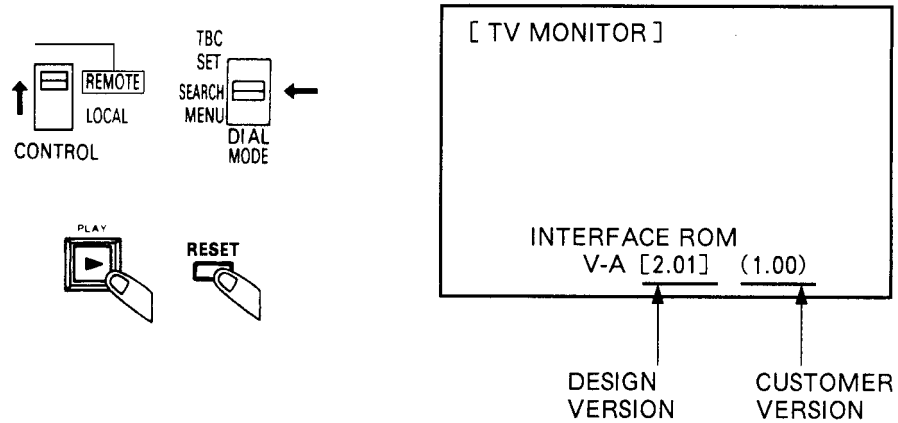


### 3

## ROM VERSION DISPLAY

The ROM Version is displayed while the PLAY and RESET buttons are kept depressed as follows;

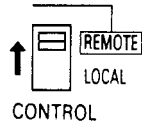
1. Eject a cassette tape.
2. Set the CONTROL switch to REMOTE.
3. Set the DIAL MODE switch to SEARCH.
4. Push the PLAY button together with RESET button.



### 4

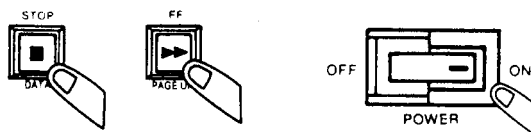
## HOUR METER RESET

1. Turn off the Power.
2. Connect a jumper wire between TP1 and TP2 on the INTERFACE C.B.A.
3. Set the CONTROL switch to REMOTE.



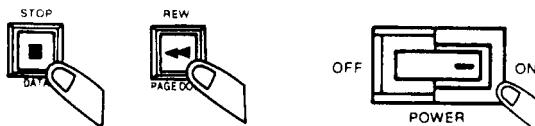
<< DRUM ON TIME >>

Turn on the Power while the STOP and FF buttons are depressed.



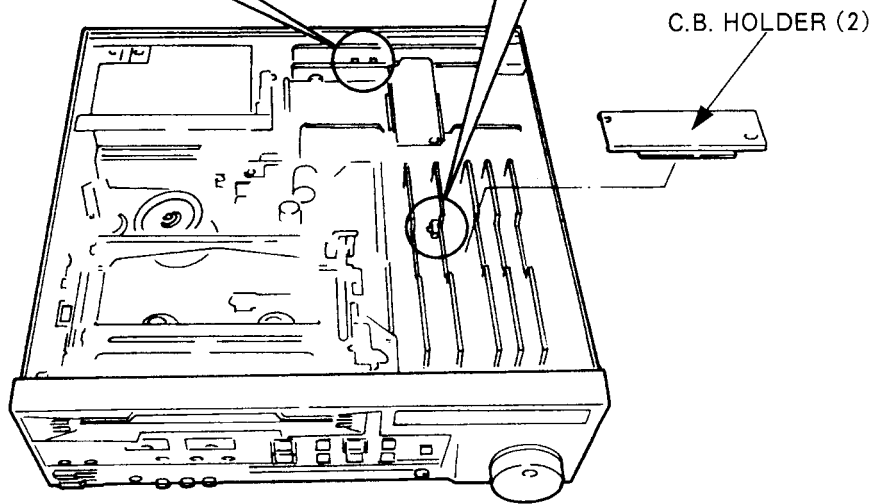
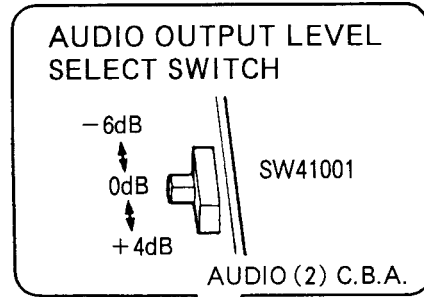
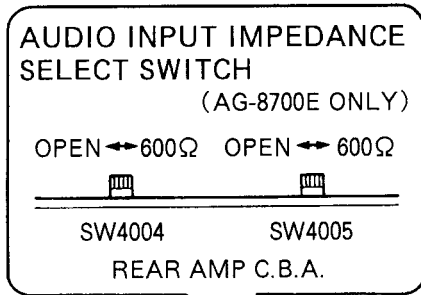
<< CAPSTAN ON TIME >>

Turn on the Power while the STOP and REW buttons are depressed.



# 5

## INTERNAL SWITCH



### 3-1. PARTS LOCATION

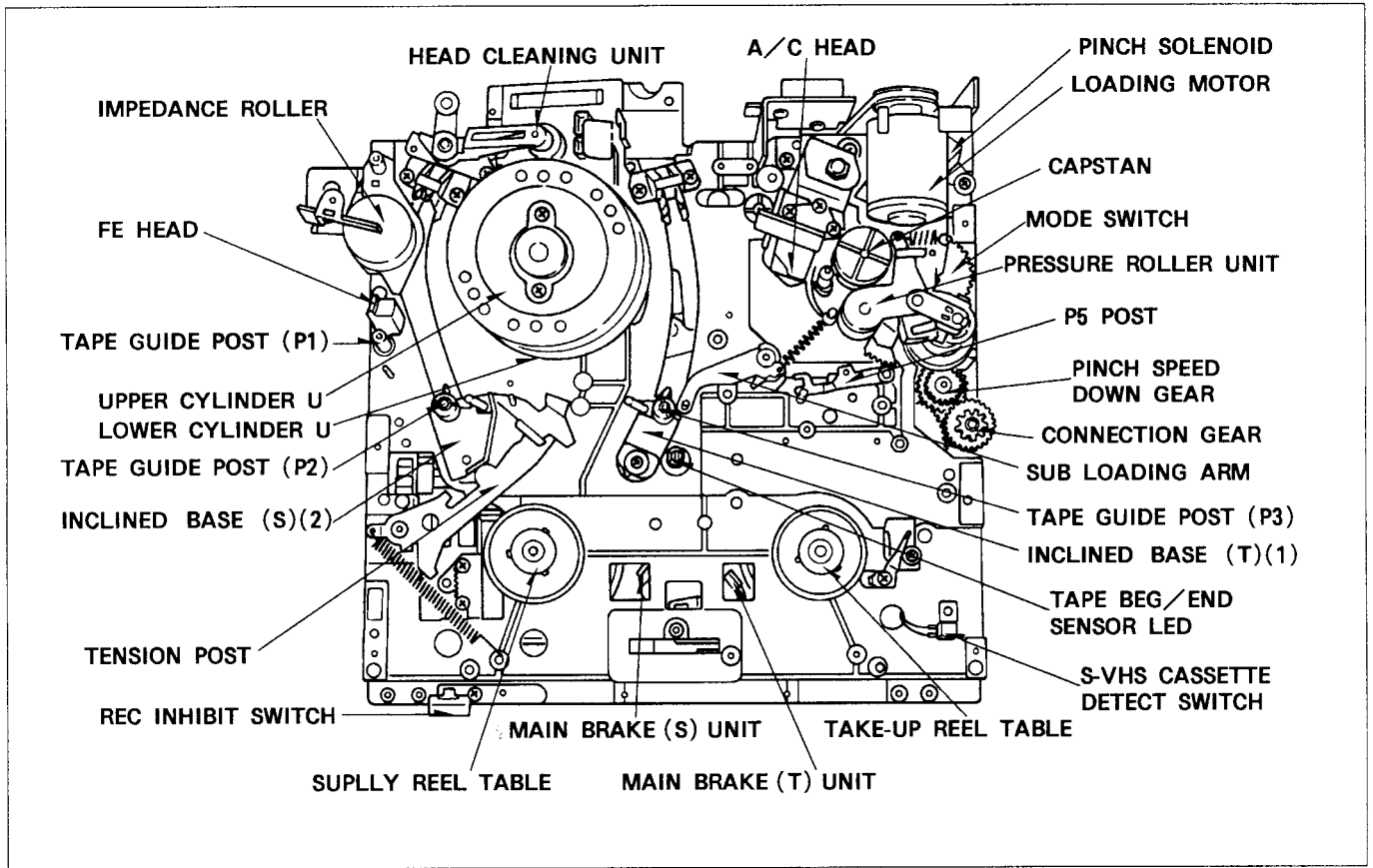


Figure M1

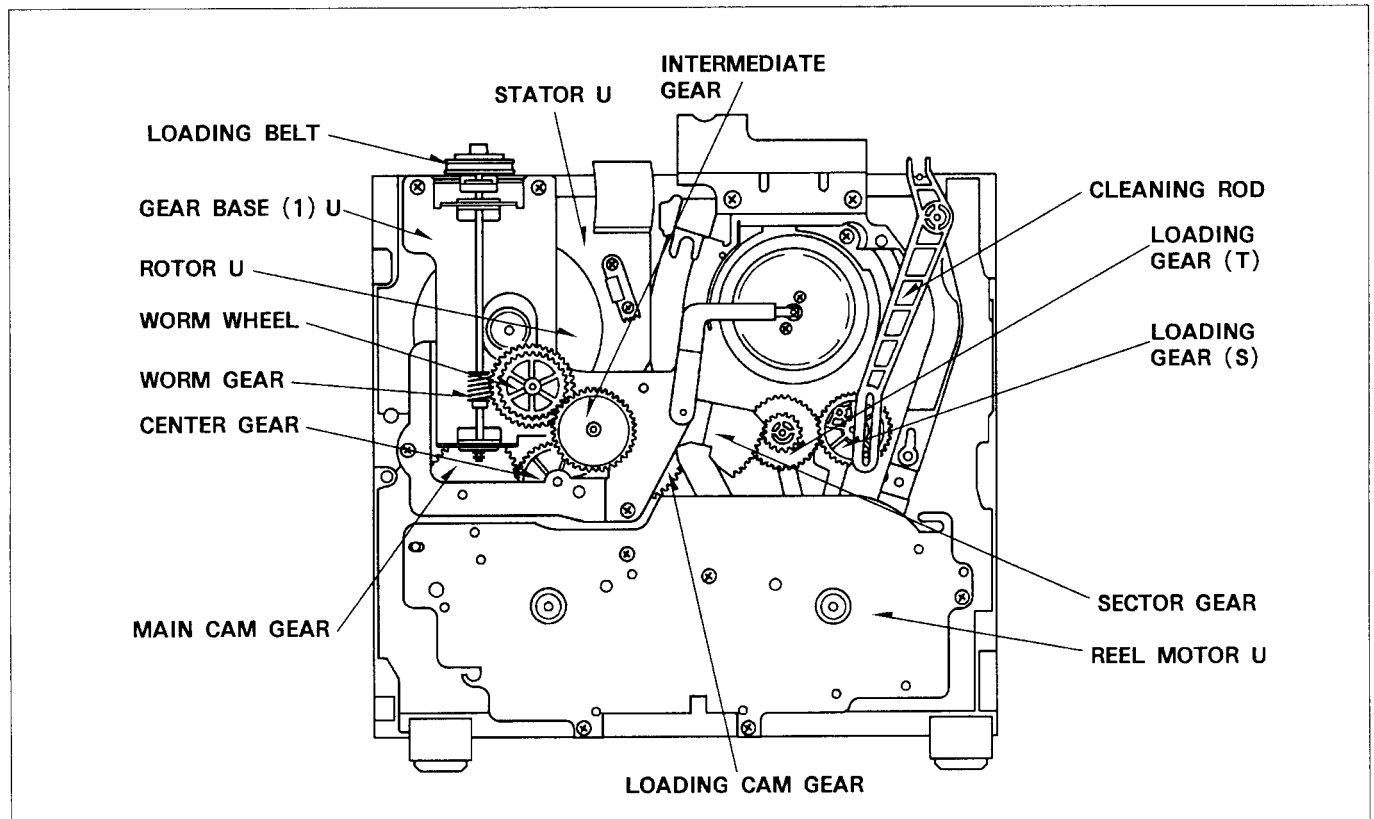
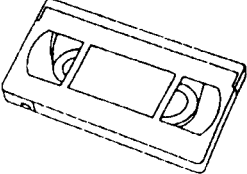
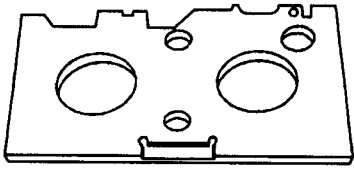
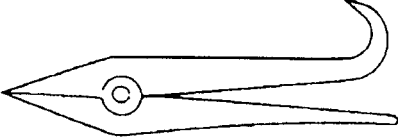
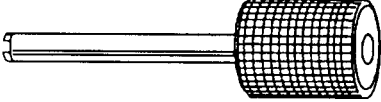


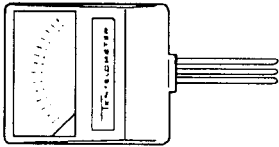
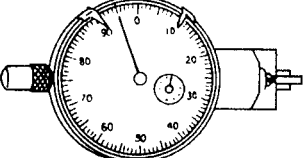
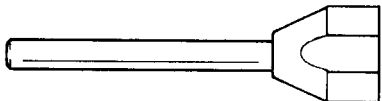
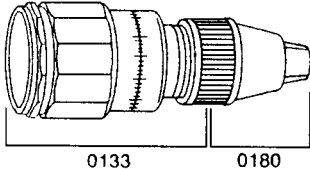
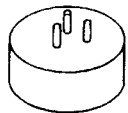
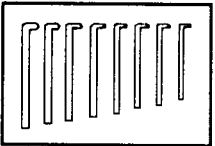
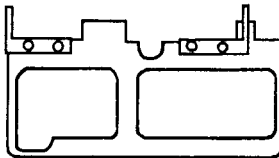
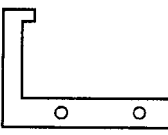
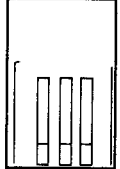

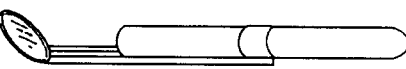
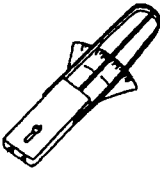
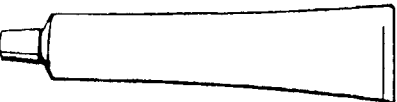
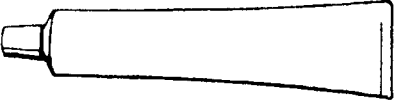


Figure M2

## 3-2. SERVICING FIXTURES AND TOOLS

The specified servicing fixture must be used to conduct adjustment.

The following fixtures, tools and measuring equipments are required to conduct complete Mechanical Adjustments.

<p><b>VFM8180HADH ; VHS Alignment Tape</b></p> 	<p><b>VFK1012 ; Post Adjustment Plate</b></p> 	<p><b>VFK0335 ; Retaining Ring Remover</b></p> 
<p><b>VFK0329 ; Post Adj. Screwdriver</b></p> 	<p><b>VFK0328 ; H-Position Adj. Screwdriver</b></p> 	<p><b>VFK0330 ; Fine Adj. Screwdriver (3mm)</b></p> 
<p><b>VFK0132 ; Back Tension Meter (Tentelometer, Made in U.S.A)</b></p> 	<p><b>VFK0190 ; Reel Table Height Fixture</b></p> 	<p><b>VFK0950 ; Centering Fixture</b></p> 
<p><b>VFK0133 ; Dial Torque Gauge VFK0180 ; Plastic Clamper Only</b></p>  <p>0133      0180</p>	<p><b>VFK0134 ; Adaptor for VFK0133</b></p> 	<p><b>VFK0326 ; Hex. Wrench Set (0.7, 0.9, 1.2, 1.5, 1.6, 2, 2.4, 3 mm)</b></p> 
<p><b>VFK0236 ; Tension Post Adj. Plate</b></p> 	<p><b>VFK0806 ; Tension Sensor Adj. Fixture</b></p> 	<p><b>VFK27 ; Head Cleaning Stick</b></p> 
<p><b>VFK0269 ; L Type Screwdriver</b></p> 	<p><b>VFK0948 ; Check Light</b></p> 	<p><b>VFK66 ; Fan Type Tension Gauge</b></p> 
<p><b>VFK0680 ; S.C.R. Grease (White) (for plastic part)</b></p> 	<p><b>MOR265 ; Morlytone Grease (Black) (for metal part)</b></p> 	<p><b>VFK0906 ; High Quality Oil (for Capstan shaft and P5 Post)</b></p> <p>Cleaning Liquid (Alcohol) (Tape Transport Rubber Parts etc.)</p> <p>&lt;&lt; PURCHASE LOCALLY &gt;&gt;</p>

### 3-3. HOW TO EJECT MANUALLY

If the electrical circuit is defective and the action of unloading and front unloading don't work properly, it is possible to eject manually as follows.

1. Take out the Main AC.
2. Release the direction as shown in Figure M3.
3. Release the Wormshaft to clockwise unit cassette is ejected.

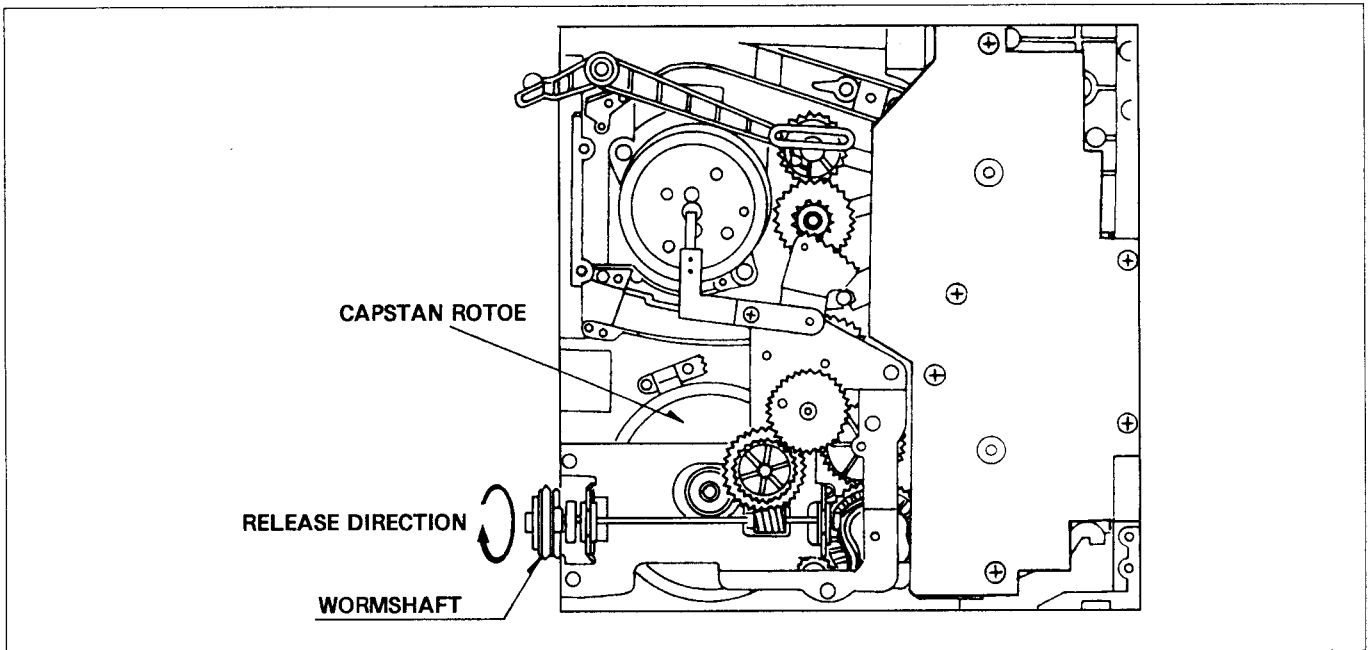


Figure M3 How to Eject Manually

## 3-4. MAINTENANCE PROCEDURES

### 3-4-1. REGULAR MAINTENANCE

The purpose of periodic maintenance is to preserve the functioning of this machine throughout its useful life. The user or service dealer should perform these maintenance regularly to ensure that maximum utility is obtained from the machine.

The VCR is a complicated piece of equipment. It contains many belts, rollers, heads etc., which become worn, and deteriorate as time goes by, causing trouble. Dust and dirt will also impede the proper functioning of the machine. In light of this, it is very important that overall maintenance be done according to the maintenance chart to maintain the functions of the VCR, and to avoid accidental problems. This maintenance should also be performed after any repairs are done on the equipment.

The VCR used for business applications requires particular attention for several reasons. The installation conditions and applications are not always the best. Long use times, or poor environmental conditions may adversely affect the lifespan and performance of the machine. Regular maintenance assures that the purchaser obtains the maximum value for his expenditure. Accordingly, the necessity of regular maintenance should be fully explained at the time of sale, as well as during after-sale repairs.

### 3-4-2. MAINTENANCE CHART

The following periodic maintenance is required to prolong the life of the machine.

Ref. No. IN P/L	Parts Name	Hour										Ref. No. IN P/L	Parts Name	Hour										
		500	1000	1500	2000	2500	3000	3500	4000	4500	5000			500	1000	1500	2000	2500	3000	3500	4000	4500	5000	
	Tape Transporter	●	●	●	●	●	●	●	●	●	●	2-1	Worm Shaft									▲		
1-7	Loading Motor U								◎			2-2	Loading Belt				◎					◎		
1-19	A/C Head U	●	●	●	●	●	●	●	◎	●	●	2-3	Worm Wheel									x		
1-25	Pressure Roller U	●	●	●	◎	●	●	●	◎	●	●	2-8	Stator Base Unit									◎		
1-36	Mode Switch								◎			2-16	Main Brake (S)				◎					◎		
1-39	P5 Arm U									▲		2-18	Main Brake (T)				◎					◎		
1-41	Upper Cylinder	●	◎	●	◎	●	◎	●	◎	●	◎	2-23	Takeup Reel Table U									◎		
1-42	Lower Cylinder U	●	●	●	●	●	●	●	◎	●	●	2-24	Supply Reel Table U									◎		
1-45	Inclined (T) U									▲	◎	2-28	Capstan Rotor U	●	●	●	△	●	●	●	△	●	●	
1-48	Inclined (S) U									▲	◎	2-33	Main Cam Gear									▲		
1-56	FE Head	●	●	●	●	●	●	●	◎	●	●	2-39	Loading Cam Gear									▲		
1-66	Head Cleaning U		◎		◎		◎		◎		◎													

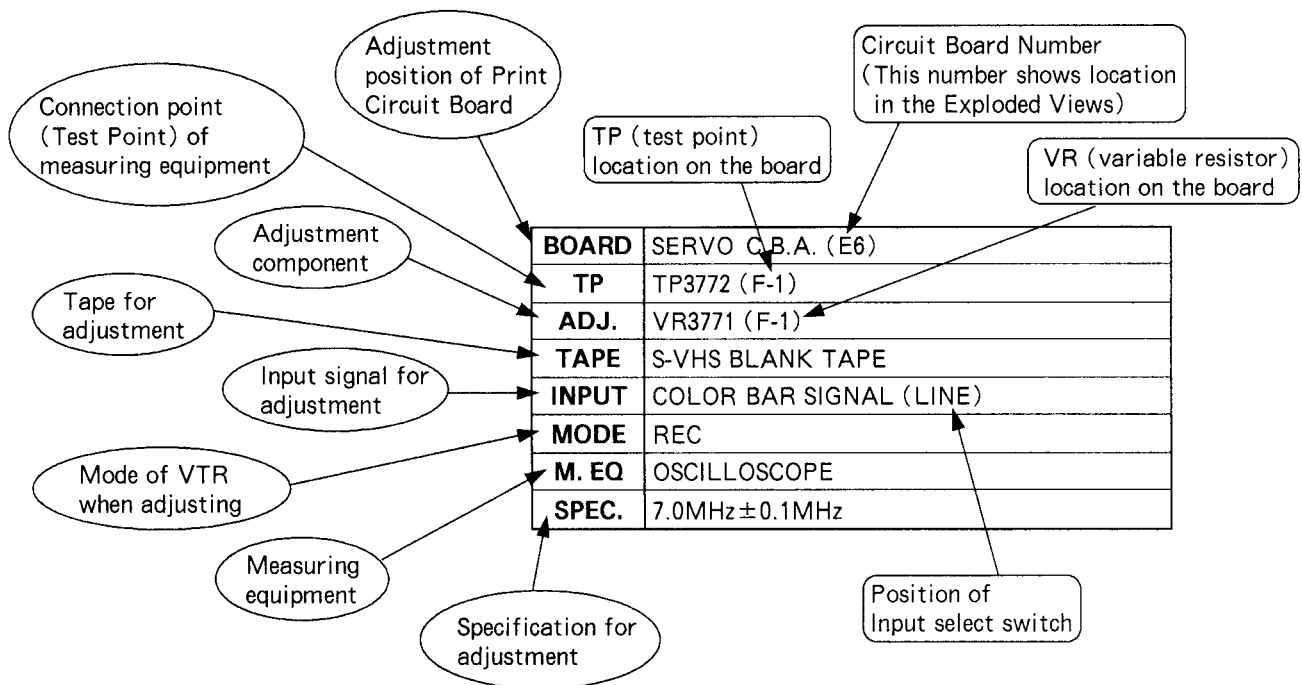
#### \*NOTE :

Symbol	Maintenance	Requirement	Remark
●	Cleaning	Ethyl-alcohol or Cleaning Liquid (Purchase locally)	Wipe dirt from the parts using soft cloth impregnated with Ethyl-Alcohol. Note: When cleaning rubber parts, avoid using excessive alcohol since it may accelerate deterioration of these parts. After cleaning with alcohol, wipe the alcohol quickly and thoroughly.
◎	Replacement		
△	Lubrication	High Quality Spindle Oil (Purchase locally)	Supply one or two drops of oil.
▲	Greasing	Molytone Grease (MOR265)	Wipe the old grease and apply new grease.
x	Greasing	S.C.R. Grease (VFK0680)	Wipe the old grease and apply new grease.

## 4-1. TEST & SERVICE EQUIPMENT

No.	EQUIPMENT	CAPACITY
1	D.V.M. (Digital Volt Meter)	0.001 to 50V
2	Dual-Trace Oscilloscope (with Probes)	0.005 to 50V/div, DC to 100MHz (50MHz)
3	Frequency Counter	0 to 10MHz
4	Sinewave Signal Generator (RC Oscillator)	0 to 10MHz
5	Video Sweep Generator	0 to 10MHz
6	Waveform Monitor	
7	Video Signal Generator (Composite, Y/C)	video signal with 7.5% set-up
8	Spectrum Analyzer	
9	Vector Scope	
10	Component Vector Scope	
11	SCH Meter	
12	Color Monitor TV	
13	VHS Alignment Tape (VFM8080HQFP)	
14	Extender Board (VFK0941)	

## 4-2. HOW TO READ THE ADJUSTMENT PROCEDURES TABLE



# ELECTRICAL ADJUSTMENT PROCEDURES COMPARISON CHART

The following table show the comparison of adjustment procedures between AG-7700, AG-8700 and AG-8600. The adjustment procedures in this manual are described only for the TBC section. Please refer to the Service manual for AG-7700 for other sections, according to the following Comparison charts.

## 4-3 SERVO SECTION

No.	ADJ. No	ADJ.ITEM	MODE No.			REMARKS
			AG-7700	AG-8700	AG-8600	
1	4-3-1	PG Shifter Adj.	S/M Page 4-4	Refer to AG-7700 S/M	Refer to AG-7700 S/M	
2	4-3-2	Tracking Fix Adj.	S/M Page 4-4	Refer to AG-7700 S/M	Refer to AG-7700 S/M	

## 4-4 VIDEO REC SECTION

No.	ADJ. No	ADJ.ITEM	MODE No.			REMARKS
			AG-7700	AG-8700	AG-8600	
3	4-4-1	Peak Adj.	S/M Page 4-4	Refer to AG-7700 S/M	Refer to AG-7700 S/M	<SET UP> TBC : OFF DNR : OFF
4	4-4-2	Supper Limiter Adj.	S/M Page 4-5	Refer to AG-7700 S/M	Refer to AG-7700 S/M	<SET UP> TBC : OFF DNR : OFF
5	4-4-3	FSC Adj.	S/M Page 4-5	Refer to AG-7700 S/M	Refer to AG-7700 S/M	<SET UP> TBC : OFF DNR : OFF
6	4-4-4	VCO Adj.	S/M Page 4-6	Refer to AG-7700 S/M	Refer to AG-7700 S/M	<SET UP> TBC : OFF DNR : OFF
7	4-4-5	Pilot Burst Adj. (AG-8700only)	S/M Page 4-6	Refer to AG-7700 S/M	-----	<SET UP> TBC : OFF DNR : OFF
8	4-4-6	Composite Level Adj. (AG-8700only)	S/M Page 4-6	Refer to AG-7700 S/M	-----	<SET UP> TBC : OFF DNR : OFF
9	4-4-7	EE Y Level Adj Adj. (AG-8700only)	S/M Page 4-7	Refer to AG-7700 S/M	-----	<SET UP> TBC : OFF DNR : OFF
10	4-4-8	Rec Sub Emphasis Input Adj. (AG-8700only)	S/M Page 4-7	Refer to AG-7700 S/M	-----	<SET UP> TBC : OFF DNR : OFF
11	4-4-9	S-VHS Deviation Adj. (AG-8700only)	S/M Page 4-7	Refer to AG-7700 S/M	-----	<SET UP> TBC : OFF DNR : OFF
12	4-4-10	VHS Deviation Adj. (AG-8700only)	S/M Page 4-8	Refer to AG-7700 S/M	-----	<SET UP> TBC : OFF DNR : OFF
13	4-4-11	S-VHS White Clip & Dark Clip Adj. (AG-8700only)	S/M Page 4-8	Refer to AG-7700 S/M	-----	<SET UP> TBC : OFF DNR : OFF
14	4-4-12	Video Meter Adj. (AG-8700only)	S/M Page 4-9	Refer to AG-7700 S/M	-----	<SET UP> TBC : OFF DNR : OFF
15	4-4-13	Chroma Rec Current Adj. (AG-8700only)	S/M Page 4-9	Refer to AG-7700 S/M	-----	<SET UP> TBC : OFF DNR : OFF
16	4-4-14	S-VHS Y Rec Current Adj. (AG-8700only)	S/M Page 4-9	Refer to AG-7700 S/M	-----	<SET UP> TBC : OFF DNR : OFF
17	4-4-15	VHS Y Rec Current Adj. (AG-8700only)	S/M Page 4-10	Refer to AG-7700 S/M	-----	<SET UP> TBC : OFF DNR : OFF



# 4-5 VIDEO PB SECTION

No.	ADJ. No	ADJ.ITEM	MODE No.			REMARKS
			AG-7700	AG-8700	AG-8600	
18	4-5-1	PB Sub Emphasis Input Level Adj.	S/M Page 4-10	Refer to AG-7700 S/M	Refer to AG-7700 S/M	<<SET UP> TBC : OFF DNR : OFF
19	4-5-2	S-VHS PB Y Level Adj.	S/M Page 4-11	Refer to AG-7700 S/M	Refer to AG-7700 S/M	<<SET UP> TBC : OFF DNR : OFF
20	4-5-3	VHS PB Y Level Adj.	S/M Page 4-11	Refer to AG-7700 S/M	Refer to AG-7700 S/M	<<SET UP> TBC : OFF DNR : OFF
21	4-5-4	Normal Y Level Adj.	S/M Page 4-12	Refer to AG-7700 S/M	Refer to AG-7700 S/M	<<SET UP> TBC : OFF DNR : OFF
22	4-5-5	Drop Out Adj.	S/M Page 4-12	Refer to AG-7700 S/M	Refer to AG-7700 S/M	SPEC : MINIMUM → MINIMUM (less than 80m Vp-p) <<SET UP> TBC : OFF DNR : OFF
23	4-5-6	Video Tracking Meter Adj.	S/M Page 4-12	Refer to AG-7700 S/M	Refer to AG-7700 S/M	<<SET UP> TBC : OFF DNR : OFF
24	4-5-7	PB Output Y Level Adj.	S/M Page 4-13	Refer to AG-7700 S/M	Refer to AG-7700 S/M	<<SET UP> TBC : OFF DNR : OFF
25	4-5-8	S-VHS PB Frequency Response Adj.	S/M Page 4-14	Refer to AG-7700 S/M	Refer to AG-7700 S/M	<<SET UP> TBC : OFF DNR : OFF
26	4-5-9	S-VHS SS Frequency Response Adj.	S/M Page 4-14	Refer to AG-7700 S/M	Refer to AG-7700 S/M	<<SET UP> TBC : OFF DNR : OFF
27	4-5-10	VHS PB Frequency Response Adj.	S/M Page 4-15	Refer to AG-7700 S/M	Refer to AG-7700 S/M	<<SET UP> TBC : OFF DNR : OFF
28	4-5-11	CNR Y Balance Adj.	S/M Page 4-16	Refer to AG-7700 S/M	Refer to AG-7700 S/M	SPEC: "A" = less than 50m Vp-p → "A" = less than 80m Vp-p <<SET UP> TBC : OFF DNR : OFF
29	4-5-12	CNR Adj.	S/M Page 4-16	Refer to AG-7700 S/M	Refer to AG-7700 S/M	SPEC : "A" = less than 700m Vp-p → "A" = less than 500m Vp-p <<SET UP> TBC : OFF DNR : OFF
30	4-5-13	CAC White Balance Adj.	S/M Page 4-17	Refer to AG-7700 S/M	Refer to AG-7700 S/M	<<SET UP> TBC : OFF DNR : OFF
31	4-5-14	EE Chroma Level Adj. (AG-8700only)	S/M Page 4-17	Refer to AG-7700 S/M	-----	<<SET UP> TBC : OFF DNR : OFF
32	4-5-15	VV Chroma Level Adj.	S/M Page 4-18	Refer to AG-7700 S/M	Refer to AG-7700 S/M	<<SET UP> TBC : OFF DNR : OFF
33	4-5-16	CAC Level Adj.	S/M Page 4-18	Refer to AG-7700 S/M	Refer to AG-7700 S/M	<<SET UP> TBC : OFF DNR : OFF
34	4-5-17	VV Burst Error Adj.	S/M Page 4-19	Refer to AG-7700 S/M	Refer to AG-7700 S/M	<<SET UP> TBC : OFF DNR : OFF
35	4-5-18	Burst Level Adj.	S/M Page 4-20	Refer to AG-7700 S/M	Refer to AG-7700 S/M	<<SET UP> TBC : OFF DNR : OFF
36	4-5-19	PB S-VHS EDIT Y/C Delay Adj.	S/M Page 4-20	Refer to AG-7700 S/M	Refer to AG-7700 S/M	SPEC : On sec ± 30nsec → A=B ± 2% (Refer to Fig.E35) <<SET UP> TBC : OFF DNR : OFF

No.	ADJ. No	ADJ.ITEM	MODE No.			REMARKS
			AG-7700	AG-8700	AG-8600	
37	4-5-20	PB VHS EDIT Y/C Delay Adj.	S/M Page 4-21	Refer to AG-7700 S/M	Refer to AG-7700 S/M	SPEC : On sec $\pm$ 30nsec → A=B $\pm$ 2% (Refer to Fig.E35) ◀SET UP▶ TBC : OFF DNR : OFF
38	4-5-21	CAC Y/C Delay Adj.	S/M Page 4-22	Refer to AG-7700 S/M	Refer to AG-7700 S/M	◀SET UP▶ TBC : OFF DNR : OFF
39	4-5-22	S-VHS Rec Delay Adj. (AG-8700only)	S/M Page 4-22	Refer to AG-7700 S/M	-----	◀SET UP▶ TBC : OFF DNR : OFF
40	4-5-23	VHS Rec Delay Adj. (AG-8700only)	S/M Page 4-23	Refer to AG-7700 S/M	-----	◀SET UP▶ TBC : OFF DNR : OFF
41	4-5-24	Artificial V-sync Adj.	S/M Page 4-24	Refer to AG-7700 S/M	Refer to AG-7700 S/M	◀SET UP▶ TBC : OFF DNR : OFF

## 4-6 AUDIO SECTION

No.	ADJ. No	ADJ.ITEM	MODE No.			REMARKS
			AG-7700	AG-8700	AG-8600	
42	4-6-1	Normal Audio Input Level Adj. (AG-8700only)	S/M Page 4-24	Refer to AG-7700 S/M	-----	
43	4-6-2	Hi-Fi Audio Input Level Adj. (AG-8700only)	S/M Page 4-24	Refer to AG-7700 S/M	-----	
44	4-6-3	Audio Jack Output Balance Adj.	S/M Page 4-24	Refer to AG-7700 S/M	Refer to AG-7700 S/M	
45	4-6-4	Audio Level Meter Adj.	S/M Page 4-25	Refer to AG-7700 S/M	Refer to AG-7700 S/M	
46	4-6-5	Normal Audio PB Frequency Response Adj.	S/M Page 4-26	Refer to AG-7700 S/M	Refer to AG-7700 S/M	
47	4-6-6	Normal Audio PB Gain Adj. (AG-8700only)	S/M Page 4-26	Refer to AG-7700 S/M	-----	
48	4-6-7	Normal Audio Erase Current Adj.	S/M Page 4-27	Refer to AG-7700 S/M	-----	
49	4-6-8	Normal Audio Bias Current Adj. (AG-8700only)	S/M Page 4-27	Refer to AG-7700 S/M	-----	SPEC : S-VHS : $6.7 \pm 0.1m$ Vrms → S-VHS : $6.7 \pm 0.5m$ Vrms VHS : $5.0 \pm 0.1m$ Vrms → VHS : $5.0 \pm 0.5m$ Vrms
50	4-6-9	Normal Audio Rec Current Adj. (AG-8700only)	S/M Page 4-28	Refer to AG-7700 S/M	-----	
51	4-6-10	Normal Audio Time Code	S/M Page 4-28	Refer to AG-7700 S/M	Refer to AG-7700 S/M	
52	4-6-11	Hi-Fi Audio Head Switching Shifter Adj.	S/M Page 4-29	Refer to AG-7700 S/M	Refer to AG-7700 S/M	
53	4-6-12	Hi-Fi Audio Carrier Frequency Adj.	S/M Page 4-29	Refer to AG-7700 S/M	Refer to AG-7700 S/M	
54	4-6-13	Hi-Fi Audio Deviation Adj. (AG-8700only)	S/M Page 4-30	Refer to AG-7700 S/M	-----	
55	4-6-14	Hi-Fi Audio Rec Current Adj. (AG-8700only)	S/M Page 4-30	Refer to AG-7700 S/M	-----	
56	4-6-15	Normal Audio Output Level Adj. (AG-8600only)	S/M Page 4-30	-----	Refer to AG-7700 S/M	

## 4-7 OTHER SECTION

No.	ADJ. No	ADJ.ITEM	MODE No.			REMARKS
			AG-7700	AG-8700	AG-8600	
57	4-7-1	VITC Mute Pulse Adj. (AG-8700only)	S/M Page 4-31	Refer to AG-7700 S/M	-----	<<SET UP> TBC : OFF DNR : OFF
58	4-7-2	OSD Character Width Adj.	S/M Page 4-31	Refer to AG-7700 S/M	Refer to AG-7700 S/M	<<SET UP> TBC : OFF DNR : OFF
59	4-7-3	Flying Erase Current Adj. (AG-8700only)	S/M Page 4-32	Refer to AG-7700 S/M	-----	<<SET UP> TBC : OFF DNR : OFF

## 4-8. TBC SECTION

### 4-8-1. Y A/D INPUT (1) ADJ.

#### A. FOR AG-8700

<b>BOARD</b>	TBC (1) C.B.A. (E11)
<b>TP</b>	TP8201 (B-1)
<b>ADJ.</b>	VR8202 (B-1)
<b>TAPE</b>	
<b>INPUT</b>	COLOR BAR SIGNAL (LINE)
<b>MODE</b>	EJECT (E-E)
<b>M. EQ</b>	OSCILLOSCOPE
<b>SPEC.</b>	1.5V $\pm$ 0.05V

#### ◀ SET UP ▶

VIDEO MODE : COLOR (MENU NO.2002)  
 PB/EE SELECT : EE (MENU NO.2004)  
 TBC SW : ON  
 INPUT SW : LINE

1. Connect the oscilloscope to TP8201.
2. Adjust VR8202 so that the level becomes 1.5V  $\pm$  0.05V as shown in Figure E1.

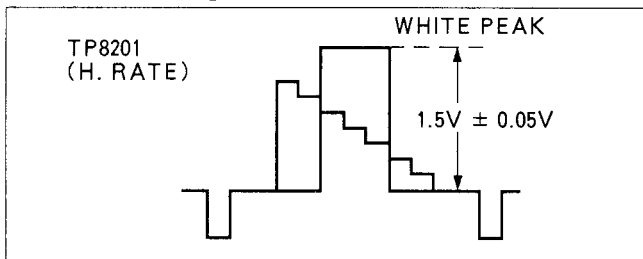


Figure E1

#### B. FOR AG-8600

<b>BOARD</b>	TBC (1) C.B.A. (E11)
<b>TP</b>	TP8201 (B-1)
<b>ADJ.</b>	VR8202 (B-1)
<b>TAPE</b>	C.B. OTHER RECORDED TAPE (S-VHS)
<b>INPUT</b>	
<b>MODE</b>	PLAYBACK
<b>M. EQ</b>	OSCILLOSCOPE
<b>SPEC.</b>	1.5V $\pm$ 0.05V

#### ◀ SET UP ▶

IMAGE MODE SELECT : EDIT (MENU NO.2001)  
 VIDEO MODE : COLOR (MENU NO.2002)  
 TBC SW : ON

1. Play back the color bar signal recorded by other recorder in the S-VHS mode.
2. Connect the oscilloscope to TP8201.
3. Adjust VR8202 so that the level becomes 1.5V  $\pm$  0.05V as shown in Figure E1.

### 4-8-2. Y A/D INPUT (2) ADJ.

#### A. FOR AG-8700

<b>BOARD</b>	TBC (1) C.B.A. (E11)
<b>TP</b>	VIDEO OUT
<b>ADJ.</b>	VR8201 (C-1)
<b>TAPE</b>	
<b>INPUT</b>	COLOR BAR SIGNAL (LINE)
<b>MODE</b>	EJECT (E-E)
<b>M. EQ</b>	OSCILLOSCOPE
<b>SPEC.</b>	0 $\pm$ 10mV

#### ◀ SET UP ▶

TBC CONTROL : CENTER POSITION (OSD)  
 VIDEO MODE : COLOR (MENU NO.2002)  
 PB/EE SELECT : EE (MENU NO.2004)  
 TBC SW : ON  
 INPUT SW : LINE

1. Connect the oscilloscope to VIDEO OUT.
2. Adjust VR8201 so that the set-up level becomes 0  $\pm$  10mV as shown in Figure E2.

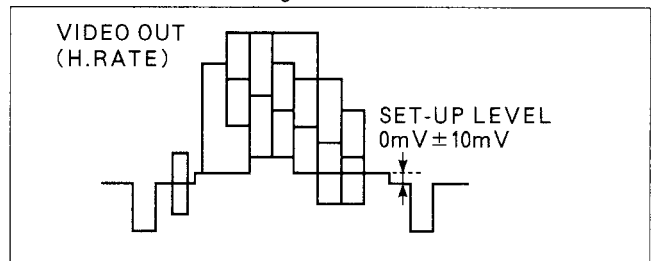


Figure E2

#### B. FOR AG-8600

<b>BOARD</b>	TBC (1) C.B.A. (E11)
<b>TP</b>	VIDEO OUT
<b>ADJ.</b>	VR8201 (B-1)
<b>TAPE</b>	C.B. OTHER RECORDED TAPE (S-VHS)
<b>INPUT</b>	
<b>MODE</b>	PLAYBACK
<b>M. EQ</b>	OSCILLOSCOPE
<b>SPEC.</b>	0mV $\pm$ 10mV

#### ◀ SET UP ▶

TBC CONTROL : CENTER POSITION (OSD)  
 IMAGE MODE SELECT : EDIT (MENU NO.2001)  
 VIDEO MODE : COLOR (MENU NO.2002)  
 TBC SW : ON

1. Play back the color bar signal recorded by other recorder in the S-VHS mode.
2. Connect the oscilloscope to VIDEO OUT.
3. Adjust VR8201 so that the set-up level becomes 0mV  $\pm$  10mV as shown in Figure E2.

### 4-8-3. C A/D INPUT (1) ADJ.

#### A. FOR AG-8700

<b>BOARD</b>	TBC (1) C.B.A. (E11)
<b>TP</b>	TP8202 (R)(B-1), TP8203 (B)(A-1)
<b>ADJ.</b>	VR8204 (R-Y)(B-1), VR8205 (B-Y)(B-1)
<b>TAPE</b>	
<b>INPUT</b>	COLOR BAR SIGNAL (LINE)
<b>MODE</b>	EJECT (E-E)
<b>M. EQ</b>	OSCILLOSCOPE
<b>SPEC.</b>	A=2.1Vp-p $\pm$ 0.05V B=1.5Vp-p $\pm$ 0.05V

#### ◀ SET UP ▶

VIDEO MODE : COLOR (MENU NO.2002)  
 PB/EE SELECT : EE (MENU NO.2004)  
 TBC SW : ON  
 INPUT SW : LINE

1. Connect the oscilloscope to TP8202.
2. Adjust VR8204 so that the level becomes 2.1Vp-p  $\pm$  0.05Vp-p as shown in Figure E3-A.

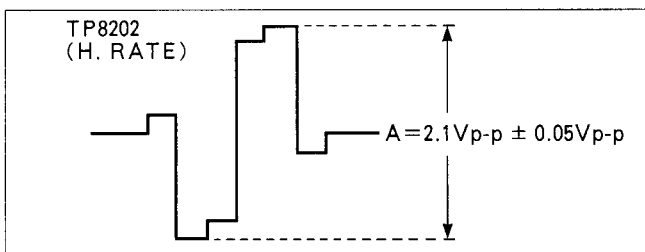


Figure E3-A

3. Connect the oscilloscope to TP8203.
4. Adjust VR8205 so that the level becomes 1.5Vp-p  $\pm$  0.05Vp-p as shown in Figure E3-B.

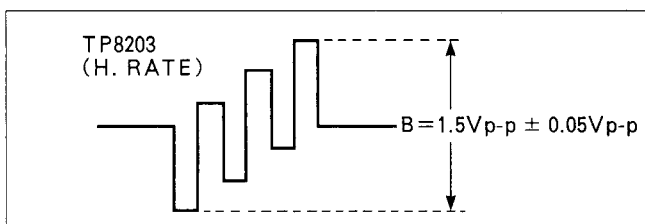


Figure E3-B

#### B. FOR AG-8600

<b>BOARD</b>	TBC (1) C.B.A. (E11)
<b>TP</b>	TP8202 (R)(B-1), TP8203 (B)(A-1)
<b>ADJ.</b>	VR8204 (R-Y)(A-1), VR8205 (B-Y)(A-1)
<b>TAPE</b>	C.B. OTHER RECORDED TAPE
<b>INPUT</b>	
<b>MODE</b>	PLAY BACK
<b>M. EQ</b>	OSCILLOSCOPE
<b>SPEC.</b>	A=2.1Vp-p $\pm$ 0.05V B=1.5Vp-p $\pm$ 0.05V

#### ◀ SET UP ▶

IMAGE MODE SELECT : EDIT (MENU NO.2001)  
 VIDEO MODE : COLOR (MENU NO.2002)  
 TBC SW : ON

1. Play back the color bar signal recorded by other recorder in the S-VHS mode.
2. Connect the oscilloscope to TP8202.
3. Adjust VR8204 so that the level becomes 2.1Vp-p  $\pm$  0.05Vp-p as shown in Figure E3-A.
4. Connect the oscilloscope to TP8203.
5. Adjust VR8205 so that the level becomes 1.5Vp-p  $\pm$  0.05Vp-p as shown in Figure E3-B.

### 4-8-4. C A/D INPUT (2) ADJ.

#### A. FOR AG-8700

<b>BOARD</b>	TBC (1) C.B.A. (E11)
<b>TP</b>	COMPONENT OUT (PB, PR)
<b>ADJ.</b>	VR8203 (B-1), VR8302 (C-1)
<b>TAPE</b>	
<b>INPUT</b>	COLOR BAR SIGNAL (LINE)
<b>MODE</b>	EJECT (E-E)
<b>M. EQ</b>	W.F.M. or OSCILLOSCOPE
<b>SPEC.</b>	0mV $\pm$ 10mV

#### ◀ SET UP ▶

VIDEO MODE : COLOR (MENU NO.2002)  
 PB/EE SELECT : EE (MENU NO.2004)  
 TBC SW : ON  
 INPUT SW : LINE

1. Connect the W.F.M. to Component PR OUT.
2. Adjust VR8203 so that the level in figure becomes minimum (0mV  $\pm$  10mV) as shown in Figure E4-A.

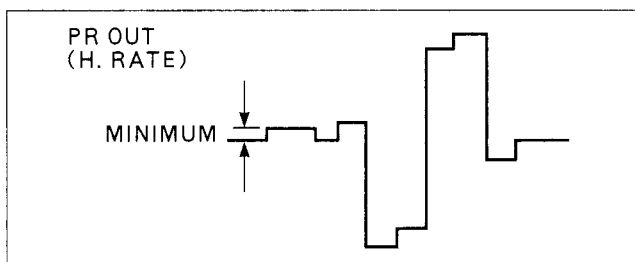


Figure E4-A

3. Connect the W.F.M. to Component PB OUT.
4. Adjust VR8302 so that the level becomes minimum (0mV  $\pm$  10mV) as shown in Figure E4-B.

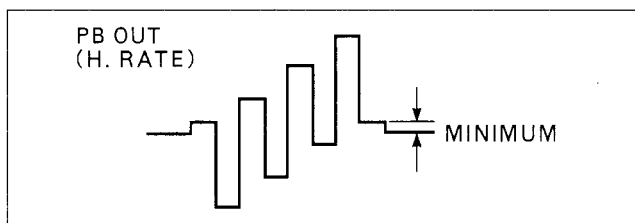


Figure E4-B

### B. FOR AG-8600

<b>BOARD</b>	TBC (1) C.B.A. (E11)
<b>TP</b>	COMPONENT OUT (PB, PR)
<b>ADJ.</b>	VR8203 (B-1), VR8302 (E-1)
<b>TAPE</b>	C.B. OTHER RECORDED TAPE
<b>INPUT</b>	
<b>MODE</b>	PLAYBACK
<b>M. EQ</b>	W.F.M. or OSCILLOSCOPE
<b>SPEC.</b>	0mV $\pm$ 10mV

#### ◀ SET UP ▶

IMAGE MODE SELECT : EDIT (MENU NO.2001)

VIDEO MODE : COLOR (MENU NO.2002)

TBC SW : ON

1. Play back the color bar signal recorded by other recorder in the S-VHS mode.
2. Connect the W.F.M. to Component PR OUT.
3. Adjust VR8203 so that the level becomes minimum (0mV  $\pm$  10mV) as shown in Figure E3-A.
4. Connect the W.F.M. to Component PB OUT.
5. Adjust VR8302 so that the level becomes minimum (0mV  $\pm$  10mV) as shown in Figure E3-B.

### 4-8-5. Y D/A REF. DC ADJ.

<b>BOARD</b>	TBC (1) C.B.A. (E11)
<b>TP</b>	TP8052 (F-1)
<b>ADJ.</b>	VR8001 (F-1)
<b>TAPE</b>	
<b>INPUT</b>	COLOR BAR
<b>MODE</b>	EJECT
<b>M. EQ</b>	VTVM or DVM
<b>SPEC.</b>	4.1V $\pm$ 0.05V

#### ◀ SET UP ▶

TBC CONTROL : CENTER POSITION (OSD)

VIDEO MODE : COLOR (MENU NO.2002)

TBC SW : ON

INPUT SW : LINE

1. Connect the VTVM or DVM to TP8052.
2. Adjust VR8001 so that the DC voltage becomes 4.1V  $\pm$  0.05V.

### 4-8-6. C A/D OUTPUT LEVEL ADJ.

#### A. FOR AG-8700

<b>BOARD</b>	TBC (1) C.B.A. (E11)
<b>TP</b>	TP8051 (F-1)
<b>ADJ.</b>	VR8002 (E-1)
<b>TAPE</b>	
<b>INPUT</b>	COLOR BAR SIGNAL (LINE)
<b>MODE</b>	EJECT (E-E)
<b>M. EQ</b>	V.T.V.M. or D.V.M.
<b>SPEC.</b>	3.5V $\pm$ 0.05V

#### ◀ SET UP ▶

TBC CONTROL : CENTER POSITION (OSD)

VIDEO MODE : COLOR (MENU NO.2002)

TBC SW : ON

INPUT SW : LINE

1. Connect the V.T.V.M. or D.V.M. to TP8051.
2. Adjust VR8002 so that the DC voltage becomes 3.5V  $\pm$  0.05V.

#### B. FOR AG-8600

<b>BOARD</b>	TBC (1) C.B.A. (E11)
<b>TP</b>	TP8051 (F-1)
<b>ADJ.</b>	VR8002 (F-1)
<b>TAPE</b>	C.B. OTHER RECORDED TAPE
<b>INPUT</b>	
<b>MODE</b>	PLAYBACK
<b>M. EQ</b>	V.T.V.M. or D.V.M.
<b>SPEC.</b>	3.5V $\pm$ 0.05V

#### ◀ SET UP ▶

TBC CONTROL : CENTER POSITION (OSD)

VIDEO MODE : COLOR (MENU NO.2002)

TBC SW : ON

1. Play back the color bar signal recorded by other recorder in the S-VHS mode.
2. Connect the V.T.V.M. or D.V.M. to TP8051.
3. Adjust VR8002 so that the DC voltage becomes 3.5V  $\pm$  0.05V.

#### 4-8-7. READ CLOCK FREQ. ADJ.

<b>BOARD</b>	TBC (1) C.B.A. (E11)
<b>TP</b>	TP8502 (E-1)
<b>ADJ.</b>	VC8501 (E-1)
<b>TAPE</b>	
<b>INPUT</b>	COLOR BAR (REF IN)
<b>MODE</b>	EJECT
<b>M. EQ</b>	FREQ. COUNTER
<b>SPEC.</b>	28.4385MHz $\pm$ 100Hz

◀ SET UP ▶

TBC SW : ON

INPUT SELECT : LINE

1. Connect the frequency counter to TP8502.
2. Adjust VC8501 so that the frequency becomes 28.4385MHz  $\pm$  100Hz.

#### 4-8-8. S/H ADJ.

<b>BOARD</b>	TBC (2) C.B.A. (E12)
<b>TP</b>	TP8603 (A-4), TP8604 (B-1)
<b>ADJ.</b>	VR8601 (B-1)
<b>TAPE</b>	
<b>INPUT</b>	COLOR BAR SIGNAL (REF. IN)
<b>MODE</b>	EJECT (E-E)
<b>M. EQ</b>	OSCILLOSCOPE
<b>SPEC.</b>	A = B $\pm$ 10%

◀ SET UP ▶

TBC SW : ON

INPUT SELECT : LINE

1. Supply a color bar signal to the REF. IN.
2. Connect the scope to TP8603 for CH-1 and TP8604 for CH-2.
3. Adjust VR8601 so that the position of S/H pulse (TP8604) becomes as shown in Figure E5.

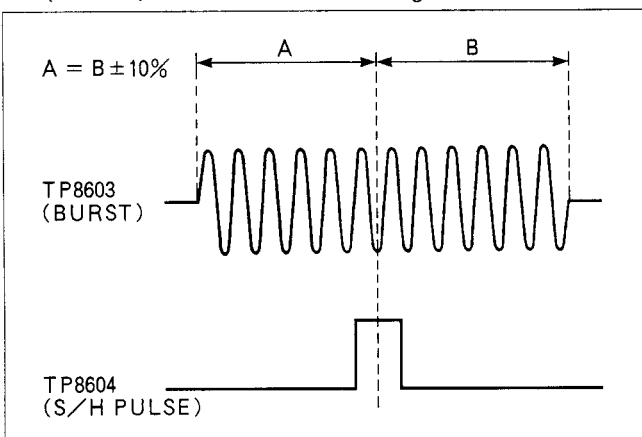


Figure E5

#### 4-8-9. 17.7MHz VCO ADJ.

<b>BOARD</b>	TBC (2) C.B.A. (E12)
<b>TP</b>	TP8606 (A-1)
<b>ADJ.</b>	VC8671 (A-2)
<b>TAPE</b>	
<b>INPUT</b>	COLOR BAR SIGNAL (REF IN)
<b>MODE</b>	EJECT (E-E)
<b>M. EQ</b>	OSCILLOSCOPE
<b>SPEC.</b>	0V $\pm$ 0.1V

◀ SET UP ▶

TBC SW : ON

INPUT SELECT : LINE

1. Supply a color bar signal to the REF INPUT.
2. Connect the scope to TP8606.
3. Adjust VC8671 so that the DC Voltage become 0  $\pm$  0.1V.

#### 4-8-10. REF. SCH ADJ.

<b>BOARD</b>	TBC (2) C.B.A. (E12)
<b>TP</b>	TP8609 (C-2), TP8610 (C-2)
<b>ADJ.</b>	VR8603 (B-1)
<b>TAPE</b>	
<b>INPUT</b>	COLOR BAR SIGNAL (REF. & LINE)
<b>MODE</b>	EJECT (E-E)
<b>M. EQ</b>	OSCILLOSCOPE
<b>SPEC.</b>	A = B $\pm$ 10%

◀ NOTE ▶

SCH of a color bar signal (REF. & LINE) should be 0°.

◀ SET UP ▶

TBC SW : ON

INPUT SELECT : LINE

1. Connect the scope to TP8609 for CH1 and TP8610 for CH2.
2. Adjust VR8603 so that the timing of the signals at TP8609 and TP8610 is as shown in Figure E6

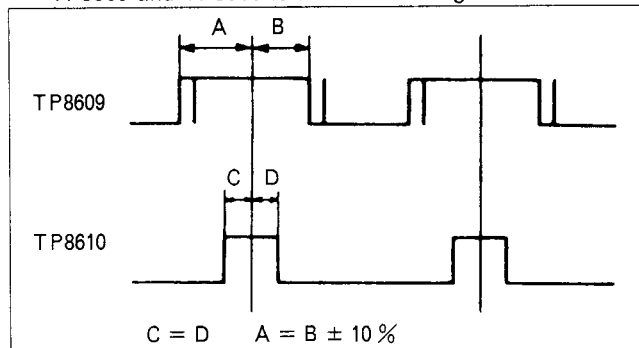


Figure E6

#### 4-8-11. C COMP. OUT LEVEL ADJ.

<b>BOARD</b>	TBC (1) (E11), TBC (2) C.B.A. (E12)
<b>TP</b>	COMPONENT OUT
<b>ADJ.</b>	VR8810 (PR) (F-1,TBC2) VR8811 (PB) (G-1,TBC2) VR8206 (A-1, TBC1)
<b>TAPE</b>	
<b>INPUT</b>	COLOR BAR
<b>MODE</b>	EJECT
<b>M. EQ</b>	COMPONENT VECTOR SCOPE
<b>SPEC.</b>	FIG.E7

##### ◀ SET UP ▶

TBC CONTROL : CENTER POSITION (OSD)  
VIDEO MODE : COLOR (MENU NO.2002)  
PB/EE SELECT : EE (MENU NO.2004)  
TBC SW : ON  
INPUT SW : LINE

1. Connect the component output to COMPONENT VECTOR SCOPE.
2. Adjust VR8810,VR8811 and VR8206 so that the all vectors are stakitged as as shown in Figure E7.

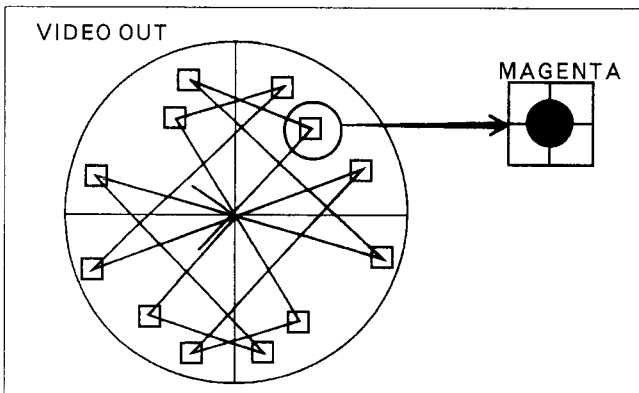


Figure E7

#### 4-8-12. DECORDER APC ADJ.

##### A. FOR AG-8700

<b>BOARD</b>	TBC (1) C.B.A. (E11)
<b>TP</b>	VIDEO OUT (75Ω)
<b>ADJ.</b>	VR8207 (A-1)
<b>TAPE</b>	
<b>INPUT</b>	COLOR BAR SIGNAL (LINE)
<b>MODE</b>	EJECT (E-E)
<b>M. EQ</b>	VECTORSCOPE
<b>SPEC.</b>	FIG. E8

##### ◀ NOTE ▶

The Video output should be terminated by 75Ω.

##### ◀ SET UP ▶

TBC CONTROL : CENTER POSITION (OSD)  
VIDEO MODE : COLOR (MENU NO.2002)  
PB/EE SELECT : EE (MENU NO.2004)  
TBC SW : ON  
INPUT SW : LINE

1. Connect the vectorscope to the COMPONENT output.
2. Adjust VR8207 so that the two vectors are closed as possible shown in Figure E8.

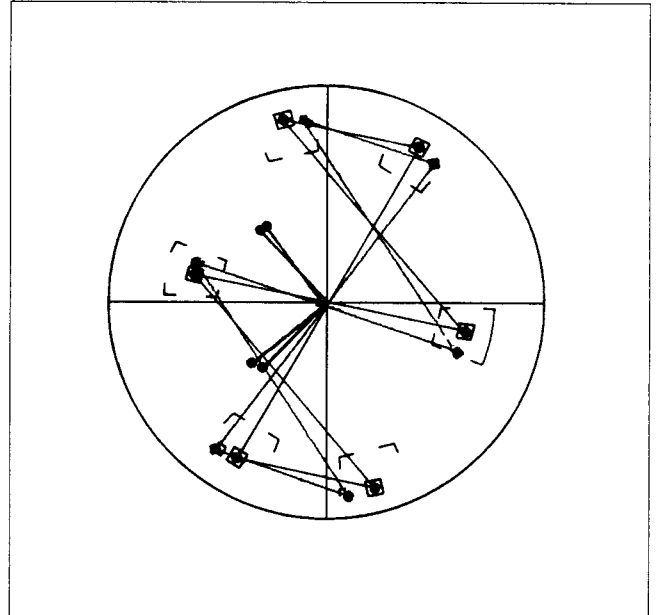


Figure E8

##### B. FOR AG-8600

<b>BOARD</b>	TBC (1) C.B.A. (E11)
<b>TP</b>	VIDEO OUT (75Ω)
<b>ADJ.</b>	VR8207 (A-1)
<b>TAPE</b>	C.B. OTHER RECORDED TAPE
<b>INPUT</b>	
<b>MODE</b>	EJECT (E-E)
<b>M. EQ</b>	VECTORSCOPE
<b>SPEC.</b>	FIG. E8

##### ◀ NOTE ▶

The Video output should be terminated by 75Ω.

##### ◀ SET UP ▶

TBC CONTROL : CENTER POSITION (OSD)  
VIDEO MODE : COLOR (MENU NO.2002)  
TBC SW : ON

1. Play back the color bar signal recorded by other recorder in the S-VHS mode.
2. Connect the vectorscope to VIDEO OUTPUT.
3. Set the vectorscope in the EXT mode and connect as shown Figure E8.
4. Adjust VR8207 so that the all vectors are stabilized as shown in Figure E8.



## 4-8-13. Y OUTPUT LEVEL ADJ.

### A. FOR AG-8700

<b>BOARD</b>	TBC (2) C.B.A. (E12)
<b>TP</b>	VIDEO OUT (75Ω)
<b>ADJ.</b>	VR8804 (F-2)
<b>TAPE</b>	
<b>INPUT</b>	COLOR BAR SIGNAL (LINE)
<b>MODE</b>	EJECT (E-E)
<b>M. EQ</b>	OSCILLOSCOPE
<b>SPEC.</b>	0.7V <sub>p-p</sub> ± 0.05V <sub>p-p</sub>

#### ◀ NOTE ▶

VIDEO OUT should be 75Ω terminated.

#### ◀ SET UP ▶

TBC CONTROL : CENTER POSITION (OSD)  
 VIDEO MODE : COLOR (MENU NO.2002)  
 PB/EE SELECT : EE (MENU NO.2004)  
 TBC SW : ON  
 INPUT SW : LINE

1. Connect the oscilloscope to VIDEO OUT.
2. Adjust VR8804 so that the Y level becomes 0.7V<sub>p-p</sub> ± 0.05V<sub>p-p</sub> as shown in Figure E9.

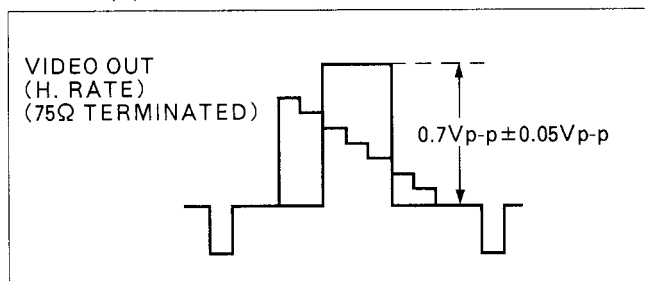


Figure E9

### B. FOR AG-8600

<b>BOARD</b>	TBC (2) C.B.A. (E12)
<b>TP</b>	VIDEO OUT (75Ω)
<b>ADJ.</b>	VR8804 (F-2)
<b>TAPE</b>	C.B. OTHER RECORDED TAPE (S-VHS)
<b>INPUT</b>	
<b>MODE</b>	PLAYBACK
<b>M. EQ</b>	OSCILLOSCOPE
<b>SPEC.</b>	0.7V ± 0.05V

#### ◀ NOTE ▶

VIDEO OUT should be 75Ω terminated.

#### ◀ SET UP ▶

TBC CONTROL : CENTER POSITION (OSD)  
 IMAGE MODE SELECT : EDIT (MENU NO.2001)  
 VIDEO MODE : COLOR (MENU NO.2002)  
 TBC SW : ON

1. Play back the color bar signal recorded by other recorder in the S-VHS mode.
2. Connect the oscilloscope to VIDEO OUT.
3. Adjust VR8804 so that the Y level becomes 0.7V ± 0.05V as shown in Figure E9.

## 4-8-14. SYNC LEVEL ADJ.

### A. FOR AG-8700

<b>BOARD</b>	TBC (2) C.B.A. (E12)
<b>TP</b>	VIDEO OUT (75Ω)
<b>ADJ.</b>	VR8803 (F-2)
<b>TAPE</b>	
<b>INPUT</b>	COLOR BAR SIGNAL (LINE)
<b>MODE</b>	EJECT (E-E)
<b>M. EQ</b>	OSCILLOSCOPE
<b>SPEC.</b>	0.3V <sub>p-p</sub> ± 0.03V <sub>p-p</sub>

#### ◀ NOTE ▶

This adjustment should be performed only after completion of 4-8-13. Y Output Level Adj.  
 VIDEO OUT should be 75Ω terminated.

#### ◀ SET UP ▶

TBC CONTROL : CENTER POSITION (OSD)  
 VIDEO MODE : COLOR (MENU NO.2002)  
 PB/EE SELECT : EE (MENU NO.2004)  
 VIDEO LEVEL control : PUSH (AGC : ON)  
 TBC SW : ON  
 INPUT SW : LINE

1. Connect the oscilloscope to VIDEO OUT.
2. Adjust VR8803 so that the SYNC level becomes 0.3V<sub>p-p</sub> ± 0.03V as shown in Figure E10.

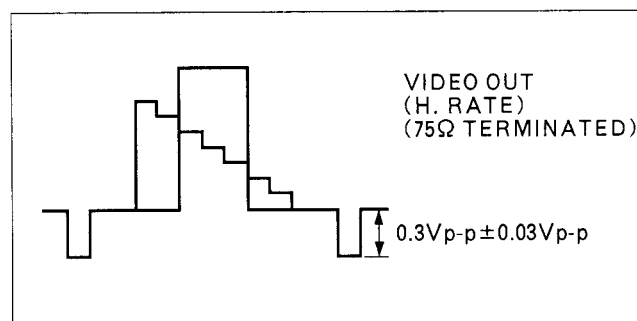


Figure E10

### B. FOR AG-8600

<b>BOARD</b>	TBC (2) C.B.A. (E12)
<b>TP</b>	VIDEO OUT (75Ω)
<b>ADJ.</b>	VR8803 (F-2)
<b>TAPE</b>	C.B. OTHER RECORDED TAPE (S-VHS)
<b>INPUT</b>	
<b>MODE</b>	PLAYBACK
<b>M. EQ</b>	OSCILLOSCOPE
<b>SPEC.</b>	0.3V ± 0.03V

◀ NOTE ▶

This adjustment should be performed only after completion of 7-5-4. Y Output Level Adj.

VIDEO OUT should be 75Ω terminated.

◀ SET UP ▶

IMAGE MODE SELECT : EDIT (MENU NO.2001)  
 TBC CONTROL : CENTER POSITION (OSD)  
 VIDEO MODE : COLOR (MENU NO.2002)  
 TBC SW : ON

1. Play back the color bar signal recorded by other recorder in the S-VHS mode.
2. Connect the oscilloscope to VIDEO OUT.
3. Adjust VR8804 so that the SYNC level becomes 0.3V ± 0.03V as shown in Figure E10.

**4-8-15. CARRIER BALANCE ADJ.**

**A. FOR AG-8700**

<b>BOARD</b>	TBC (2) C.B.A. (E12)
<b>TP</b>	VIDEO OUT (75Ω)
<b>ADJ.</b>	VR8807 (E-1), VR8808 (F-1)
<b>TAPE</b>	
<b>INPUT</b>	COLOR BAR SIGNAL (LINE)
<b>MODE</b>	EJECT (E-E)
<b>M. EQ</b>	VECTORSCOPE
<b>SPEC.</b>	FIG. E11

◀ NOTE ▶

VIDEO OUT should be 75Ω terminated.

◀ SET UP ▶

TBC CONTROL : CENTER POSITION  
 VIDEO MODE : COLOR (MENU NO.2002)  
 INPUT SW : LINE  
 TBC SW : ON  
 VIDEO LEVEL control : PUSH (AGC : ON)

1. Connect the vectorscope to VIDEO OUT and adjust VR8807 and VR8808 so that the point "C" becomes center of the vector scope as shown in Figure E11.

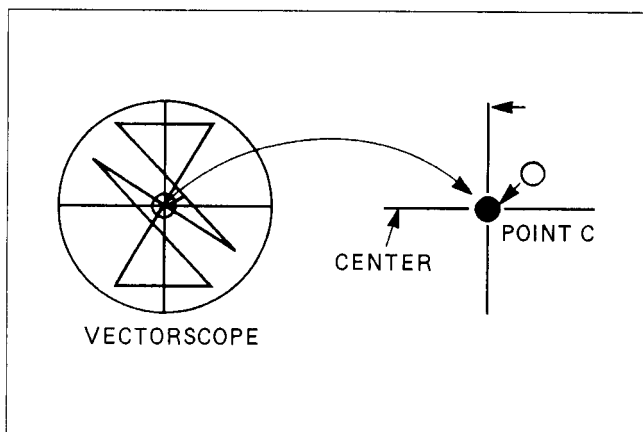


Figure E11

**B. FOR AG-8600**

<b>BOARD</b>	TBC (2) C.B.A. (E12)
<b>TP</b>	VIDEO OUT (75Ω)
<b>ADJ.</b>	VR8807 (E-1), VR8808 (F-1)
<b>TAPE</b>	C.B. OTHER RECORDED TAPE
<b>INPUT</b>	
<b>MODE</b>	PLAYBACK
<b>M. EQ</b>	VECTORSCOPE
<b>SPEC.</b>	FIG. E11

◀ NOTE ▶

VIDEO OUT should be 75Ω terminated.

◀ SET UP ▶

TBC CONTROL : CENTER POSITION  
 VIDEO MODE : COLOR (MENU NO.2002)  
 TBC SW : ON

1. Play back the color bar signal recorded by other recorder in the S-VHS mode.
2. Connect the vectorscope to VIDEO OUT and adjust VR8807 and VR8808 so that the point "C" becomes center of the vector scope as shown in Figure E11.

**4-8-16. BURST LEVEL ADJ.**

**A. FOR AG-8700**

<b>BOARD</b>	TBC (2) C.B.A. (E12)
<b>TP</b>	VIDEO OUT (75Ω)
<b>ADJ.</b>	VR8806 (E-1), VR8809 (F-1), VR8815 (D-1)
<b>TAPE</b>	
<b>INPUT</b>	COLOR BAR SIGNAL (LINE)
<b>MODE</b>	EJECT (E-E)
<b>M. EQ</b>	VECTORSCOPE
<b>SPEC.</b>	FIG. E12

◀ NOTE ▶

This adjustment should be performed only after completion of 4-8-15. Carrier Balance Adj.

VIDEO OUT should be 75Ω terminated.

◀ SET UP ▶

TBC CONTROL : CENTER POSITION  
 VIDEO MODE : COLOR (MENU NO.2002)  
 INPUT SW : LINE  
 TBC SW : ON  
 VIDEO LEVEL control : PUSH (AGC : ON)

1. Connect the vectorscope to VIDEO OUT.
2. Adjust the vectorscope so that the burst signal becomes 75%.
3. Adjust VR8806, VR8809 and VR8815 so that the burst signal becomes 75% as shown in Figure E12.

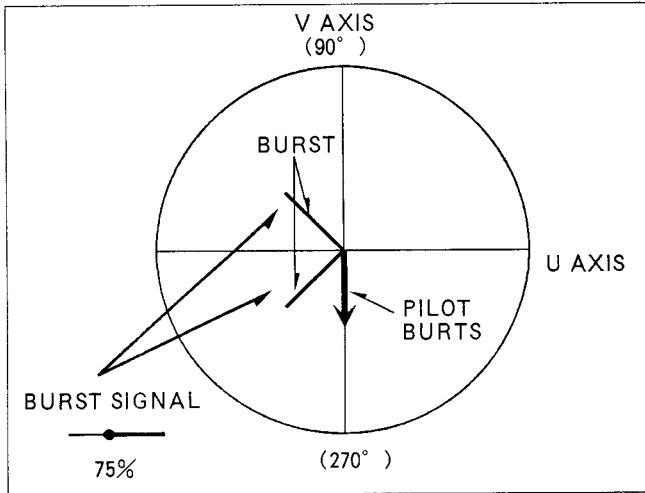


Figure E12

**B. FOR AG-8600**

<b>BOARD</b>	TBC (2) C.B.A. (E12)
<b>TP</b>	VIDEO OUT (75Ω)
<b>ADJ.</b>	VR8806 (E-1), VR8809(F1), VR8815(D-1)
<b>TAPE</b>	C.B. OTHER RECORDED TAPE
<b>INPUT</b>	
<b>MODE</b>	PLAYBACK
<b>M. EQ</b>	VECTORSCOPE
<b>SPEC.</b>	FIG. E12

« NOTE »

*This adjustment should be performed only after completion of 4-8-15. Carrier Balance Adj.*

*VIDEO OUT should be 75Ω terminated.*

« SET UP »

TBC CONTROL : CENTER POSITION  
 VIDEO MODE : COLOR (MENU NO.2002)  
 TBC SW : ON

1. Play back the color bar signal recorded by other recorder in the S-VHS mode.
2. Connect the vectorscope to VIDEO OUT.
3. Adjust VR8806, VR8809, VR8815 that the burst signal becomes 75% as shown in Figure E12.

**4-8-17. CHROMA VECTOR BALANCE ADJ.**

**A. FOR AG-8700**

<b>BOARD</b>	TBC (2) C.B.A. (E12)
<b>TP</b>	VIDEO OUT (75Ω)
<b>ADJ.</b>	VR8801 (E-1), VR8802 (E-1), VR8815 (D-1) VC8801 (D-2)
<b>TAPE</b>	
<b>INPUT</b>	COLOR BAR SIGNAL (LINE)
<b>MODE</b>	EJECT (E-E)
<b>M. EQ</b>	VECTORSCOPE
<b>SPEC.</b>	FIG. E13

« NOTE »

*VIDEO OUT should be 75Ω terminated.*

« SET UP »

TBC CONTROL : CENTER POSITION  
 VIDEO MODE : COLOR (MENU NO.2002)  
 TBC SW : ON  
 INPUT SW : LINE  
 VIDEO LEVEL control : PUSH (AGC : ON)

1. Connect the vectorscope to VIDEO OUT.
2. Adjust VR8801, VR8802, VR8815 and VC8801 so that the all vectors except the burst phase become correct position as shown in Figure E13.

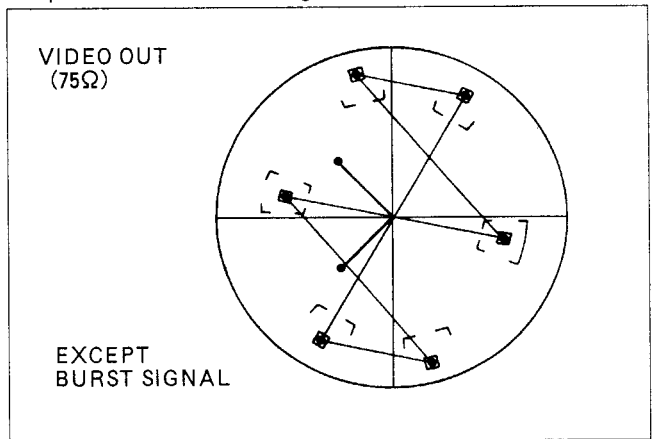


Figure E13

**B. FOR AG-8600**

<b>BOARD</b>	TBC (2) C.B.A. (E12)
<b>TP</b>	VIDEO OUT (75Ω)
<b>ADJ.</b>	VR8801 (E-1), VR8802 (E-1), VR8815 (D-1)
<b>TAPE</b>	C.B. OTHER RECORDED TAPE
<b>INPUT</b>	
<b>MODE</b>	PLAYBACK
<b>M. EQ</b>	VECTORSCOPE
<b>SPEC.</b>	FIG. E13

« NOTE »

*VIDEO OUT should be 75Ω terminated.*

« SET UP »

TBC CONTROL : CENTER POSITION  
 VIDEO MODE : COLOR (MENU NO.2002)  
 TBC SW : ON

1. Play back the color bar signal recorded by other recorder in the S-VHS mode.
2. Connect the vectorscope to VIDEO OUT.
3. Adjust VR8801, VR8802 and VR8815, VR8801 so that the all vectors except the burst phase become correct position as shown in Figure E13.

## 4-8-18. CHROMA PHASE ADJ.

### A. FOR AG-8700

<b>BOARD</b>	TBC (2) C.B.A. (E12)
<b>TP</b>	VIDEO OUT (75Ω)
<b>ADJ.</b>	VR8814 (D-1)
<b>TAPE</b>	
<b>INPUT</b>	COLOR BAR SIGNAL (LINE)
<b>MODE</b>	EJECT (E-E)
<b>M. EQ</b>	VECTORSCOPE
<b>SPEC.</b>	FIG. E14

◀ NOTE ▶

VIDEO OUT should be 75Ω terminated.

◀ SET UP ▶

TBC CONTROL : CENTER POSITION  
 VIDEO MODE : COLOR (MENU NO.2002)  
 TBC SW : ON  
 INPUT SW : LINE  
 VIDEO LEVEL control : PUSH (AGC : ON)

1. Connect the vectorscope to VIDEO OUTPUT.
2. Adjust the vectorscope so that the burst signal becomes 75%
3. Adjust VR8814 so that the vector dot of magenta becomes in the innerbox as shown in Figure E14.

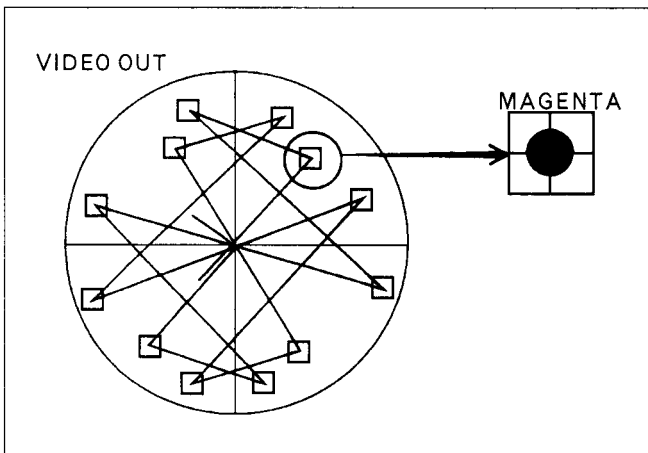


Figure E14

### B. FOR AG-8600

<b>BOARD</b>	TBC (2) C.B.A. (E12)
<b>TP</b>	VIDEO OUT (75Ω)
<b>ADJ.</b>	VR8814 (D-1)
<b>TAPE</b>	COLOR BAR RECODED TAPE (S-VHS)
<b>INPUT</b>	
<b>MODE</b>	PLAY BACK
<b>M. EQ</b>	VECTORSCOPE
<b>SPEC.</b>	FIG. E14

◀ NOTE ▶

VIDEO OUT should be 75Ω terminated.

◀ SET UP ▶

TBC CONTROL : CENTER POSITION  
 VIDEO MODE : COLOR (MENU NO.2002)  
 VIDEO LEVEL control : PUSH (AGC : ON)  
 TBC SW : ON

1. Connect the vectorscope to VIDEO OUTPUT.
2. Play back the color bar signal recorded by other recorder in the S-VHS mode.
3. Adjust the vectorscope so that the burst signal becomes 75%.
4. Adjust VR8814 so that the vector dot of magenta becomes in the innerbox shown in Figure E14.

## 4-8-19. SCH PHASE ADJ.

<b>BOARD</b>	TBC (2) C.B.A. (E12)
<b>TP</b>	VIDEO OUT (75Ω)
<b>ADJ.</b>	SW8701 (C-1), VR8602 (B-1)
<b>TAPE</b>	
<b>INPUT</b>	COLOR BAR SIGNAL (REF. & LINE)
<b>MODE</b>	EJECT (E-E)
<b>M. EQ</b>	SCH METER
<b>SPEC.</b>	$0 \pm 2^\circ$

◀ NOTE ▶

VIDEO OUT should be 75Ω terminated.

SCH of a color bar signal (REF. & LINE) should be  $0^\circ$ .  
 Trigger of SCH METER should be EXT.

◀ SET UP ▶

VIDEO MODE : COLOR (MENU NO.2002)  
 PB/EE SELECT : EE (MENU NO.2004)  
 TBC SW : ON  
 INPUT SW : LINE

1. Connect the SCH Meter as shown in Figure E15-A.
2. Adjust SW8701 and VR8602 so that the SCH phase becomes  $0^\circ \pm 2^\circ$  as shown in Figure E15-A.

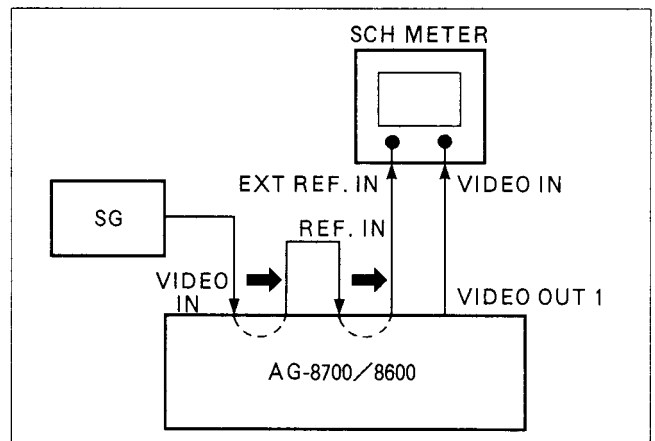


Figure E15-A

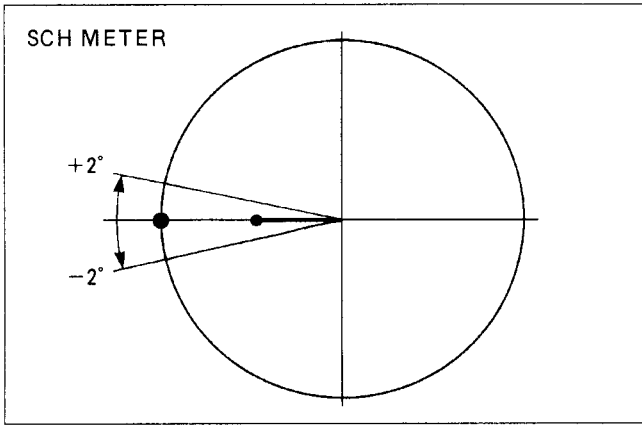


Figure E15-B

#### 4-8-20. SYSTEM H PHASE ADJ.

<b>BOARD</b>	TBC (2) C.B.A. (E12)
<b>TP</b>	REF VIDEO, VIDEO OUT (75Ω)
<b>ADJ.</b>	VR8701 (B-1)
<b>TAPE</b>	
<b>INPUT</b>	COLOR BAR SIGNAL (REF.)
<b>MODE</b>	EJECT (E-E)
<b>M. EQ</b>	OSCILLOSCOPE
<b>SPEC.</b>	FIG. E42-B

⚡ NOTE ⚡

VIDEO OUT should be 75Ω terminated.  
SCH of color bar signal (REF.) should be 0°.

⚡ SET UP ⚡

VIDEO MODE : COLOR (MENU NO.2002)  
TBC CONTROL (SYSTEM H PHASE) : CENTER (OSD)  
TBC SW : ON  
INPUT SW : LINE

1. Connect the scope as shown in Figure E16-A.
2. Adjust VR8701 so that the H phase of these signals are the same as shown in Figure E16-B.

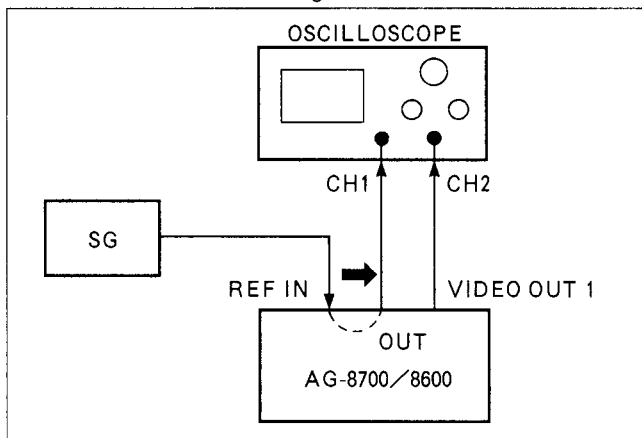


Figure E16-A

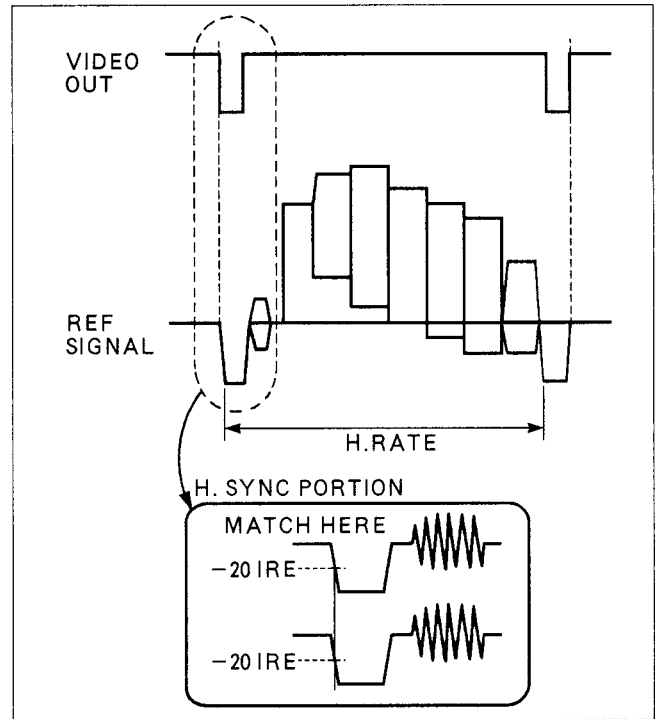


Figure E16-B

#### 4-8-21. Y/C TIMING ADJ.

##### A. FOR AG-8700

<b>BOARD</b>	TBC (1) C.B.A. (E11)
<b>TP</b>	VIDEO OUT (75Ω)
<b>ADJ.</b>	VR8152 (D-1)
<b>TAPE</b>	
<b>INPUT</b>	SIN <sup>2</sup> PULSE & BAR SIGNAL (LINE)
<b>MODE</b>	EJECT (E-E)
<b>M. EQ</b>	W.F.M. or OSCILLOSCOPE
<b>SPEC.</b>	A=B ± 3%

⚡ NOTE ⚡

VIDEO OUT should be 75Ω terminated.

⚡ SET UP ⚡

TBC CONTROL : CENTER POSITION  
VIDEO MODE : COLOR (MENU NO.2002)  
TBC SW : ON  
INPUT SW : LINE

1. Connect the oscilloscope (W.F.M.) to VIDEO OUT and expanded the "A" portion as shown in Figure E17-A.
3. Adjust VR8152 so that the waveform becomes as shown in Figure E17-B.

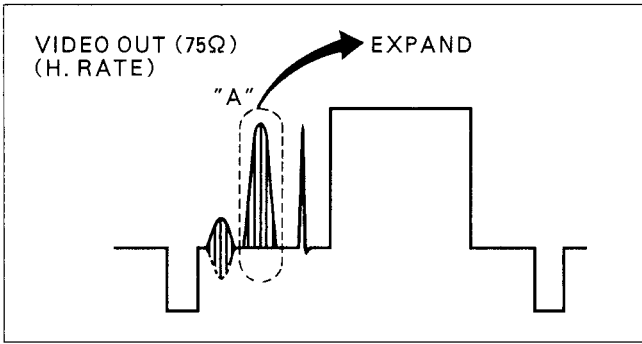


Figure E17-A

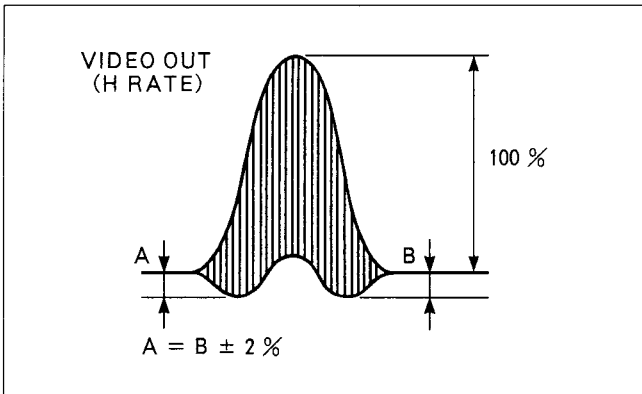


Figure E17-B

**B. FOR AG-8600**

<b>BOARD</b>	TBC (1) C.B.A. (E11)
<b>TP</b>	VIDEO OUT (75Ω)
<b>ADJ.</b>	VR8152 (D-1)
<b>TAPE</b>	SIN <sup>2</sup> PULSE & BAR SIGNAL OTHER RECORDED TAPE (S-VHS)
<b>INPUT</b>	
<b>MODE</b>	PLAY
<b>M. EQ</b>	OSCILLOSCOPE or W.F.M.
<b>SPEC.</b>	$A = B \pm 3\%$

« NOTE »

VIDEO OUT should be 75Ω terminated.

« SET UP »

IMAGE MODE SELECT : NORMAL (MENU NO.2001)

TBC SW : ON

1. Play back the SIN<sup>2</sup> PULSE & BAR SIGNAL recorded by other recorder in the S-VHS mode.
2. Connect the oscilloscope (W.F.M.) to VIDEO OUT and expanded the "A" portion as shown in Figure E17-A.
3. Adjust VR8152 so that the waveform becomes as shown in Figure E17-B.

**4-8-22. VIDEO PHASE ADJ.**

**A. FOR AG-8700**

<b>BOARD</b>	TBC (1) C.B.A. (E-11)
<b>TP</b>	VIDEO OUT (75Ω)
<b>ADJ.</b>	VR8151 (D-1)
<b>TAPE</b>	
<b>INPUT</b>	SIN <sup>2</sup> PULSE & BAR SIGNAL (LINE)
<b>MODE</b>	EJECT (E-E)
<b>M. EQ</b>	W.F.M. or OSCILLOSCOPE
<b>SPEC.</b>	FIG. E18

« NOTE »

VIDEO OUT should be 75Ω terminated.

« SET UP »

VIDEO MODE : COLOR (MENU NO.2002)

PB/EE SELECT : EE (MENU NO.2004)

INPUT SW : LINE

TBC : ON/OFF

1. Connect a scope (W.F.M.) to VIDEO OUTPUT.
2. Expand the pulse portion as shown in Figure E114.
3. Select the TBC switch on the front panel to the ON and OFF alternately and adjust VR8151 so that the timing of the pulse portion becomes the same in the local mode and by-pass mode as shown in Figure E18.

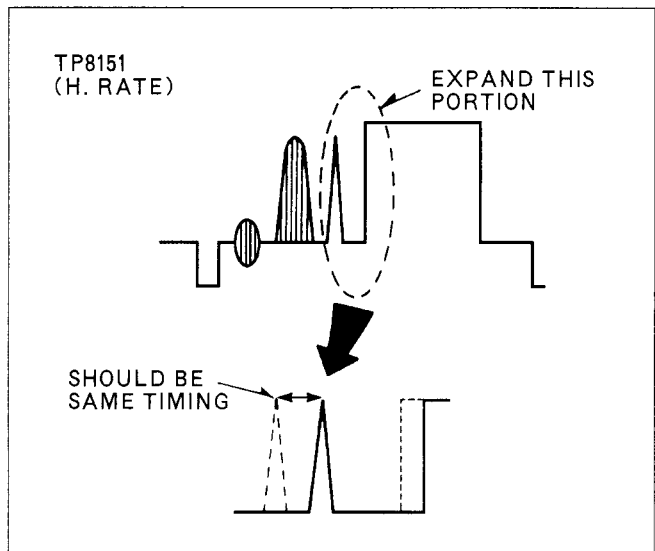


Figure E18

## B. FOR AG-8600

<b>BOARD</b>	TBC (1) C.B.A. (E-11)
<b>TP</b>	VIDEO OUT (75Ω)
<b>ADJ.</b>	VR8151 (D-1)
<b>TAPE</b>	
<b>INPUT</b>	SIN <sup>2</sup> PULSE & BAR SIGNAL OTHER RECORDED TAPE (S-VHS)
<b>MODE</b>	PLAYBACK
<b>M. EQ</b>	W.F.M. or OSCILLOSCOPE
<b>SPEC.</b>	FIG. E18

≪ NOTE ≫

VIDEO OUT should be 75Ω terminated.

≪ SET UP ≫

VIDEO MODE : COLOR (MENU NO.2002)

INPUT SW : LINE

TBC : ON/OFF

1. Play back the SIN<sup>2</sup> PULSE & BAR SIGNAL recorded by other recorder in the S-VHS mode.
2. Connect a scope (W.F.M.) to VIDEO OUTPUT.
3. Expand the pulse portion as shown in Figure E18.
4. Select the TBC switch on the front panel to the ON and OFF alternately and adjust VR8151 so that the timing of the pulse portion becomes the same in the local mode and by-pass mode as shown in Figure E18.

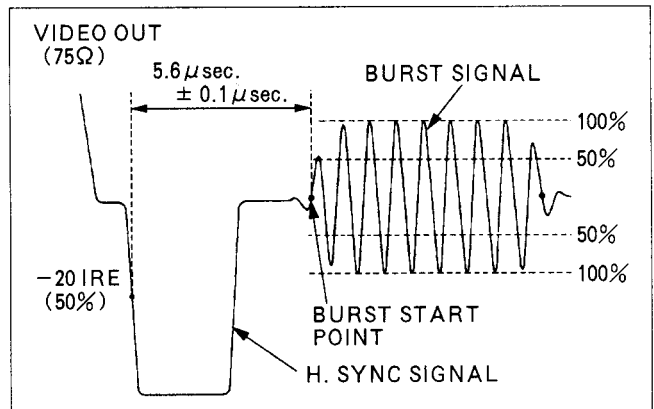


Figure E19

### 4-8-23. BURST POSITION ADJ.

<b>BOARD</b>	TBC (2) C.B.A. (E12)
<b>TP</b>	VIDEO OUT (75Ω)
<b>ADJ.</b>	VR8805 (D-1)
<b>TAPE</b>	
<b>INPUT</b>	COLOR BAR SIGNAL (LINE)
<b>MODE</b>	EJECT (E-E)
<b>M. EQ</b>	W.F.M. or OSCILLOSCOPE
<b>SPEC.</b>	5.6 μsec ± 0.1 μsec

≪ NOTE ≫

VIDEO OUT should be 75Ω terminated.

≪ SET UP ≫

TBC CONTROL : CENTER POSITION

VIDEO MODE : COLOR (MENU NO.2002)

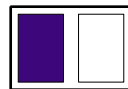
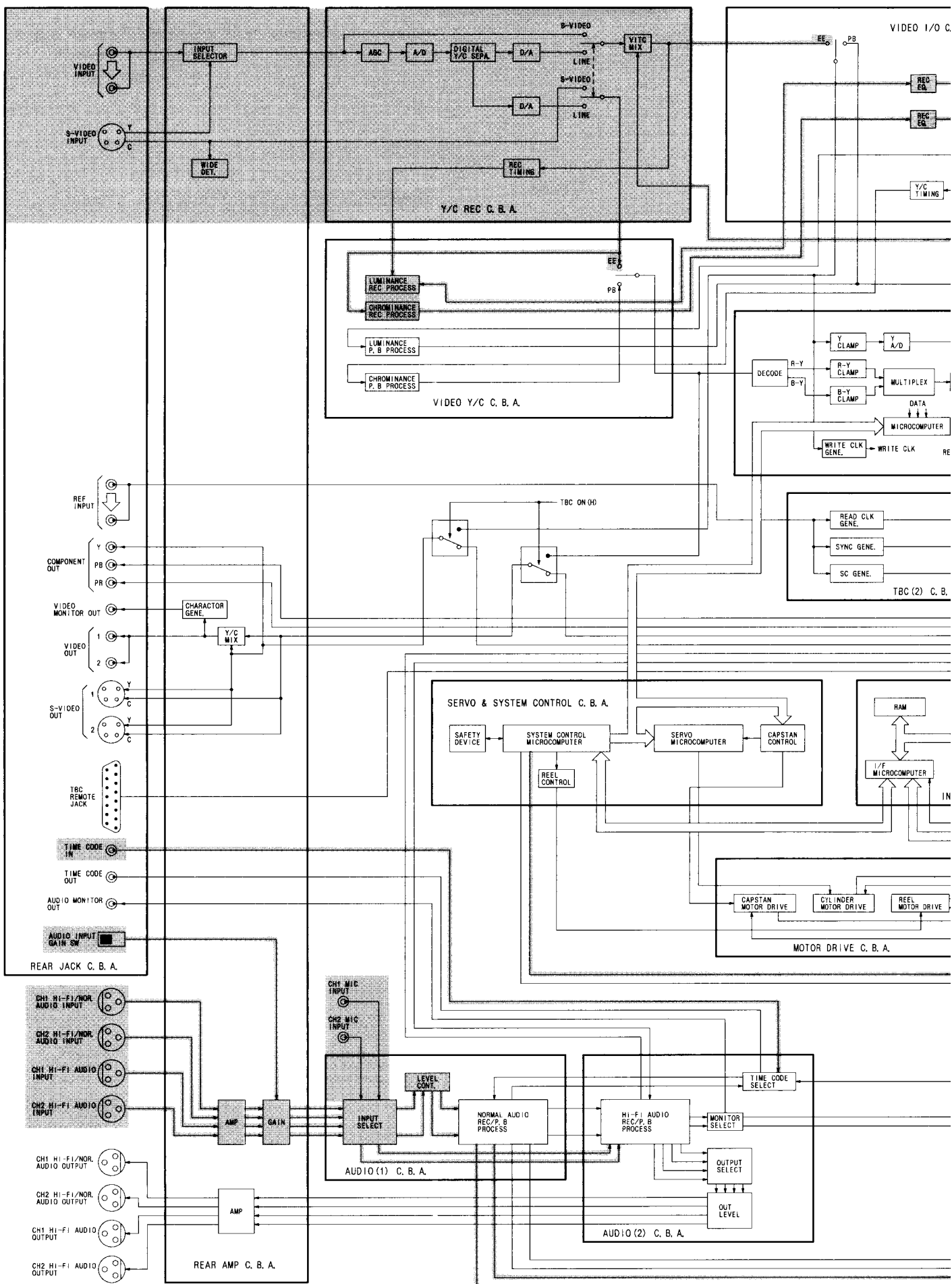
TBC SW : ON

INPUT SW : LINE

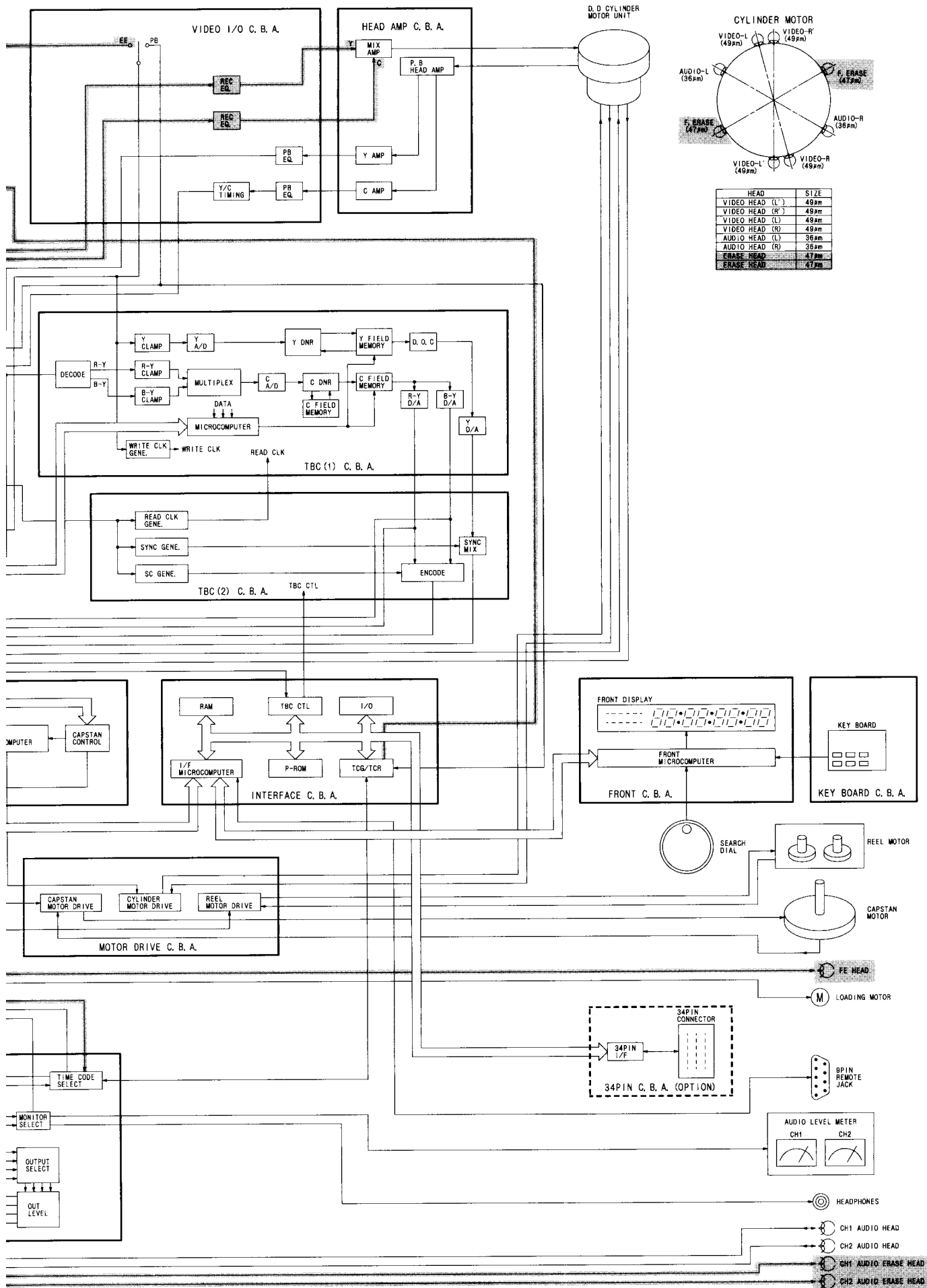
VIDEO LEVEL control : PUSH (AGC : ON)

1. Connect the W.F.M. to VIDEO OUT.
2. Adjust VR8805 so that the period of H. Sync (down edge) to Burst signal (Burst start point) becomes 5.6 μsec ± 0.1 μsec as shown in Figure E19.

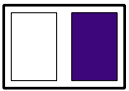
# OVERALL BLOCK DIAGRAM



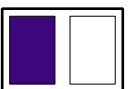
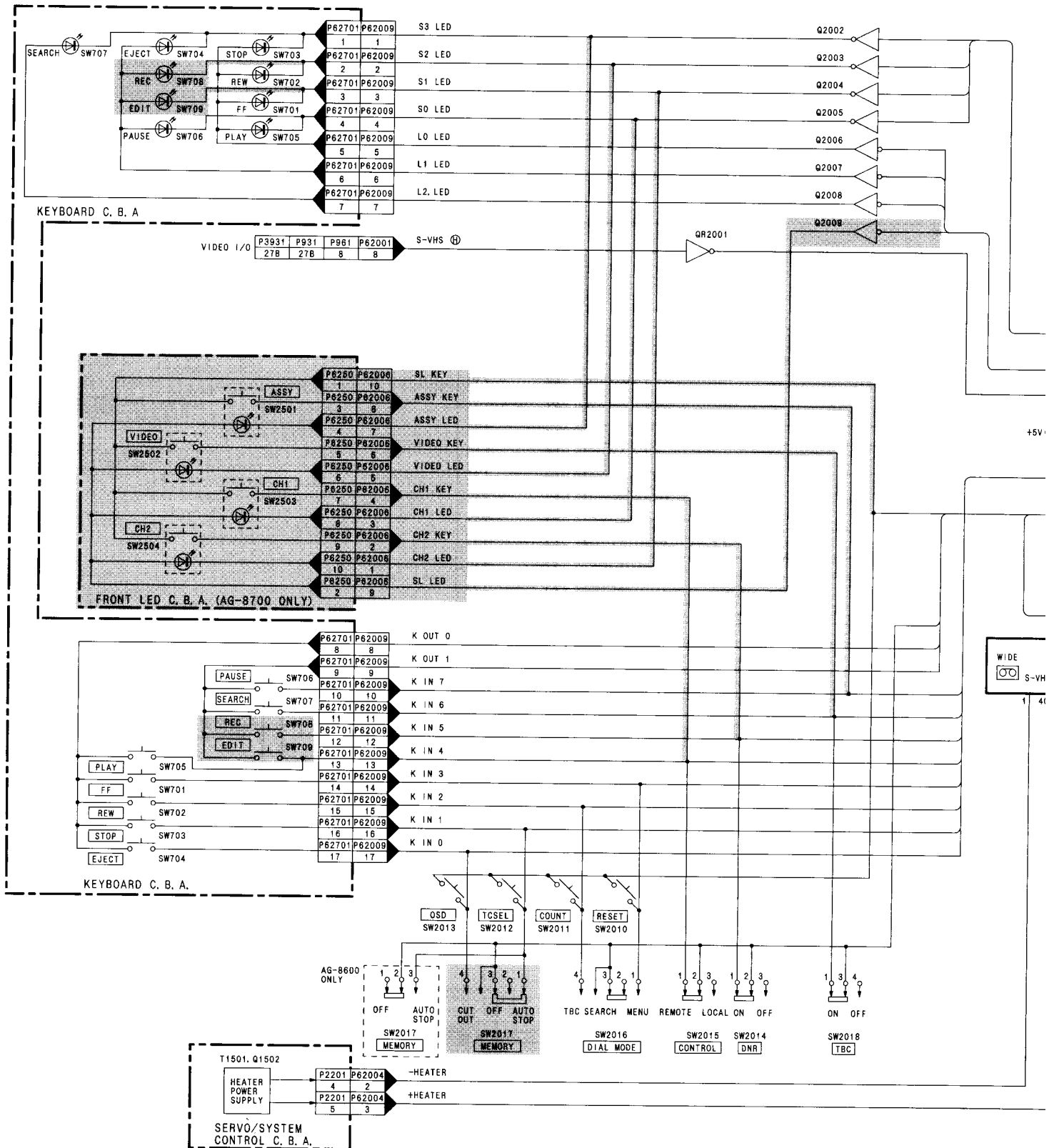




HEAD	SIZE
VIDEO HEAD (L)	49µm
VIDEO HEAD (R)	49µm
VIDEO HEAD (L)	49µm
VIDEO HEAD (R)	49µm
AUDIO HEAD (L)	36µm
AUDIO HEAD (R)	36µm
ERASE HEAD	47µm
ERASE HEAD	47µm

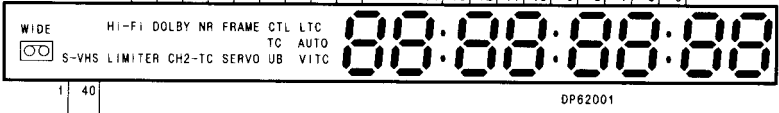
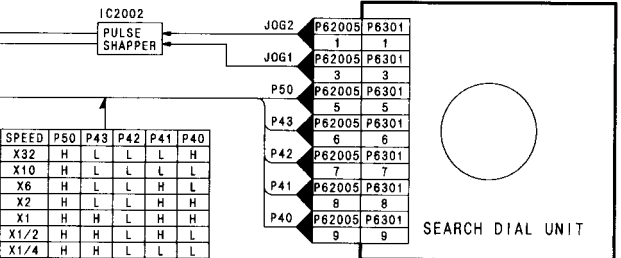
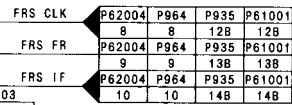


# FRONT BLOCK DIAGRAM

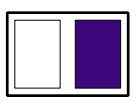


IC62001

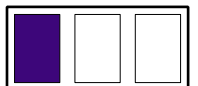
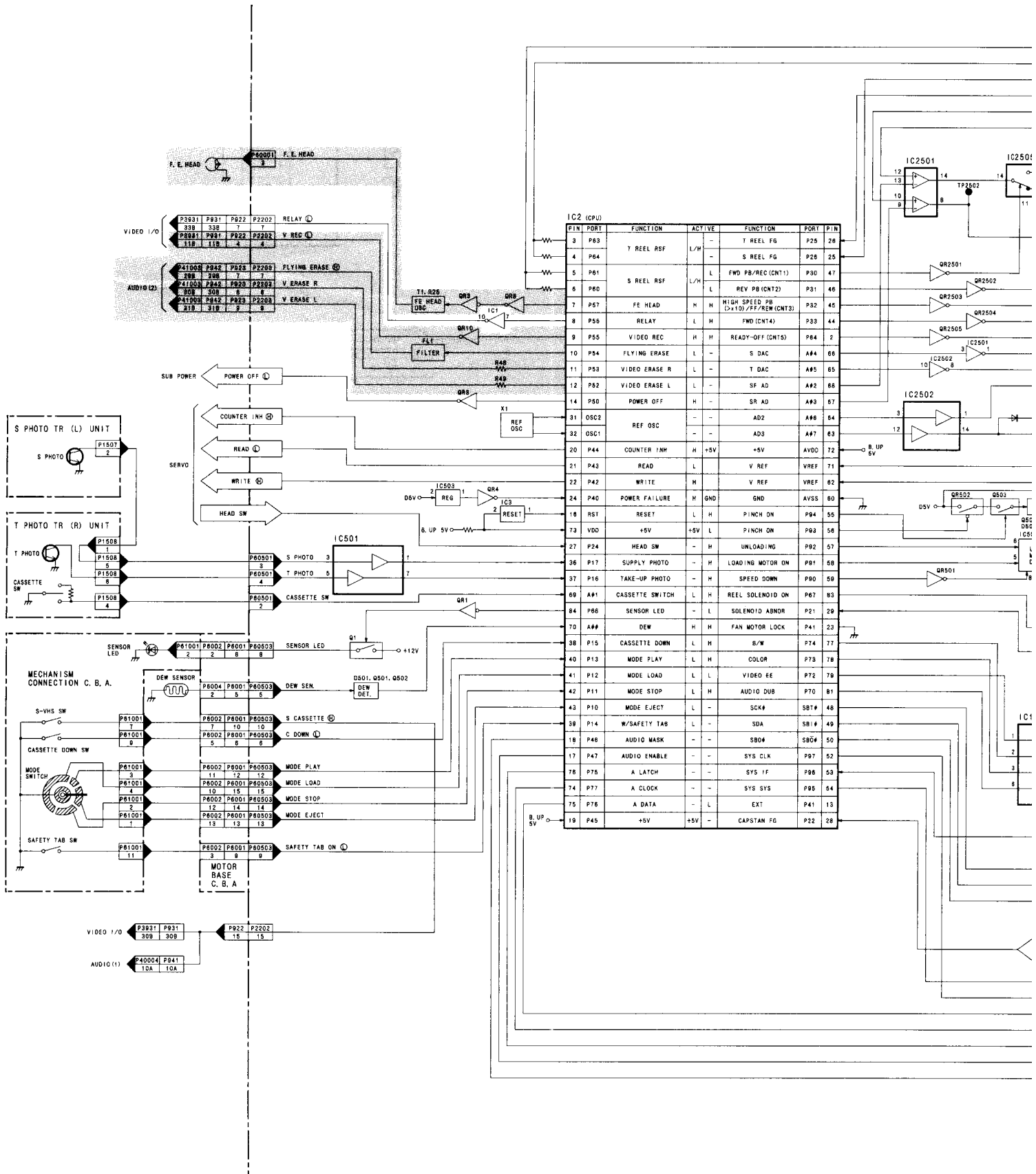
PIN	PORT	IN/OUT	SIGNAL	ACTIVE	ACTIVE	SIGNAL	IN/OUT	PORT	PIN
12	S16	OUT	LED SCAN PULSE	---	---	FRS CLOCK	IN	SCK0	84
15	S19	OUT	LED CONTROL PULSE	---	---	FRS FR	OUT	S00	83
69	P40	OUT	LED CONTROL PULSE	---	---	FRS IF	IN	S10	82
66	P43	OUT	LED CONTROL PULSE	---	---	FRS IF	IN	S10	82
78	P13	IN	S-VHS	L	L	RESET	IN	RST	86
4	S	IN	POWER SUPPLY	5V	---	JOG 2 PULSE	IN	P10	80
5	48	IN	POWER SUPPLY	5V	---	JOG 1 PULSE	IN	P11	81
30	VDD	IN	POWER SUPPLY	5V	---	SEARCH DIAL DATA	IN	P12	79
60	P60	IN	KEY IN DATA	---	---	SEARCH DIAL DATA	IN	P30	73
53	P73	IN	KEY IN DATA	---	---	SEARCH DIAL DATA	IN	P33	70
20	S0	OUT	SEGMENT/LED/KEY SCAN PULSE	---	---	GRID PULSE	OUT	T0	47
23	S3	OUT	SEGMENT/LED/KEY SCAN PULSE	---	---	GRID PULSE	OUT	T9	38
30	S9	OUT	SEGMENT PULSE	---	---	GRID PULSE	OUT	T9	38
24	S4	OUT	SEGMENT PULSE	---	---	GRID PULSE	OUT	T9	38

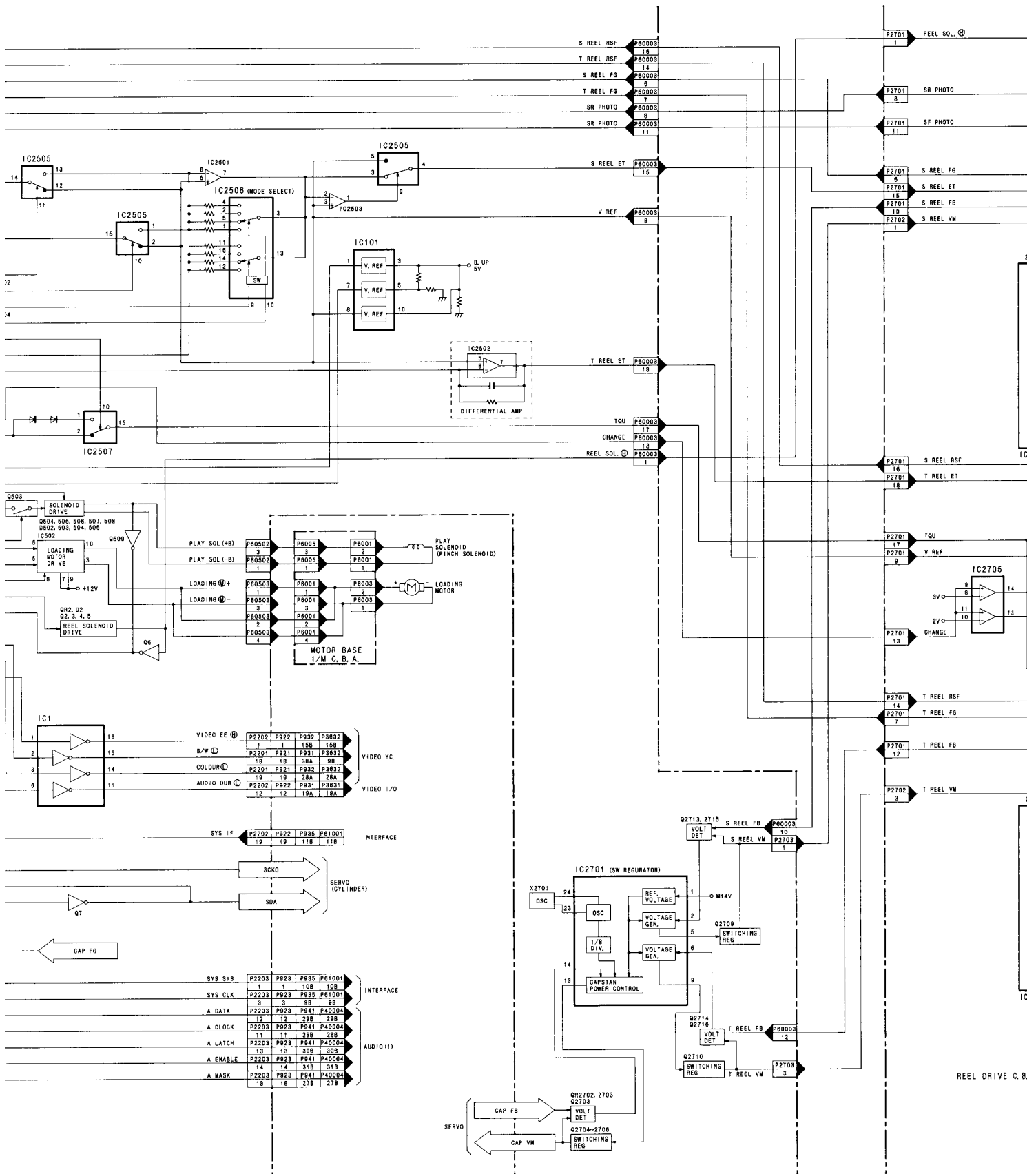


REF. No. 62000 SERIES

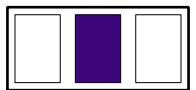


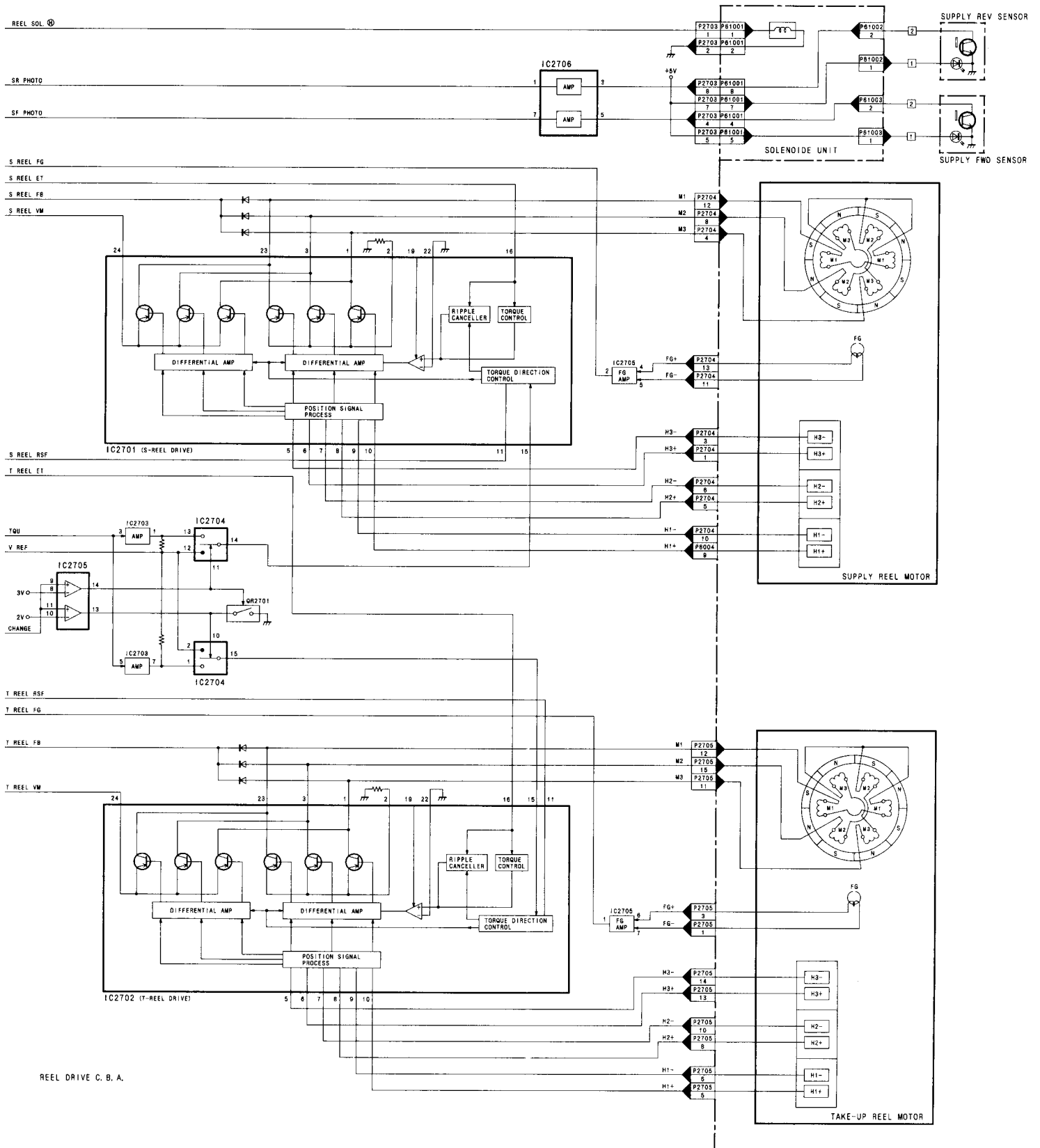
# SYSTEM CONTROL BLOCK DIAGRAM



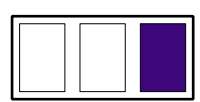


REEL DRIVE C. B.

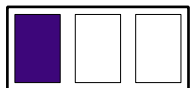
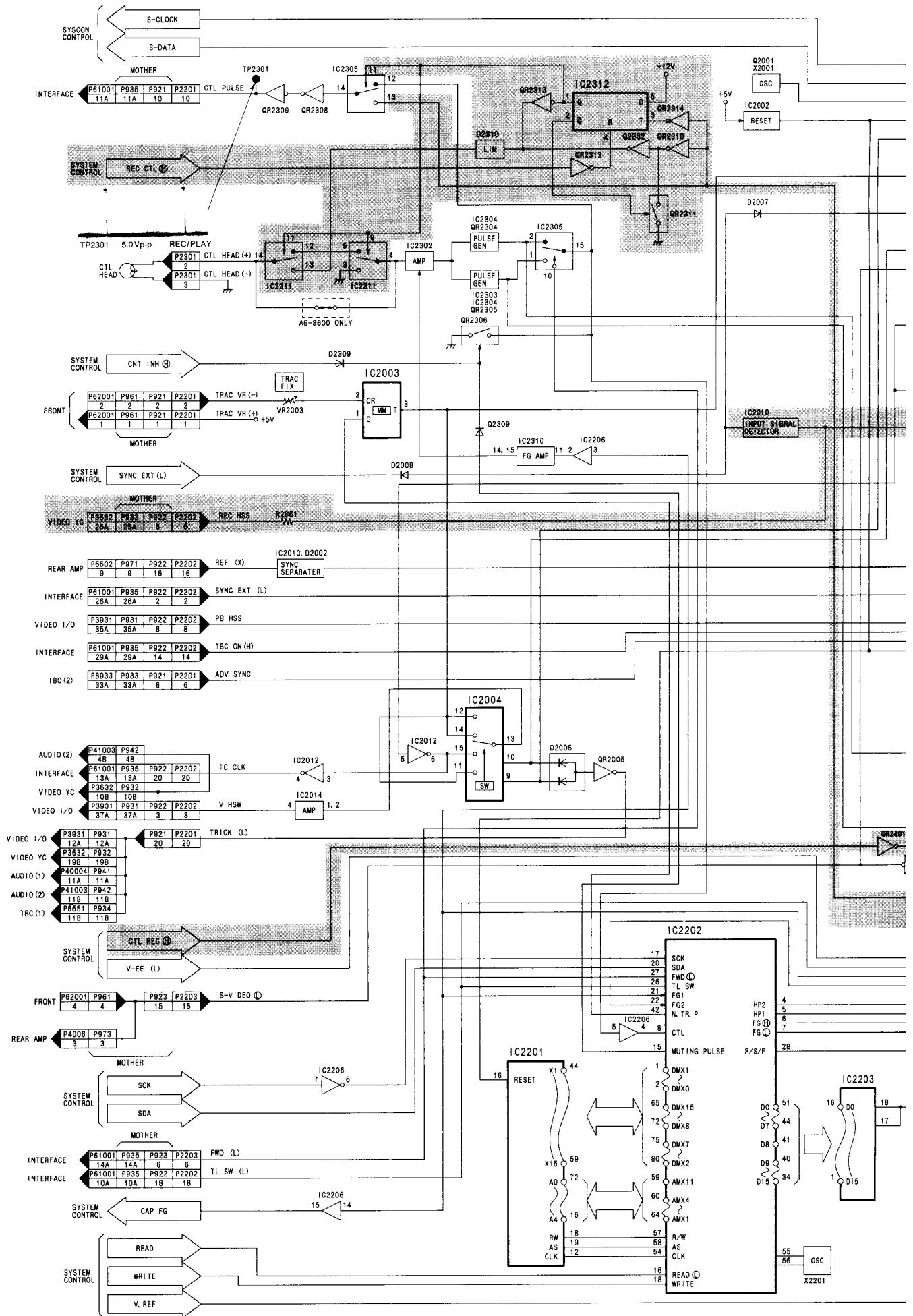




REEL DRIVE C. B. A.



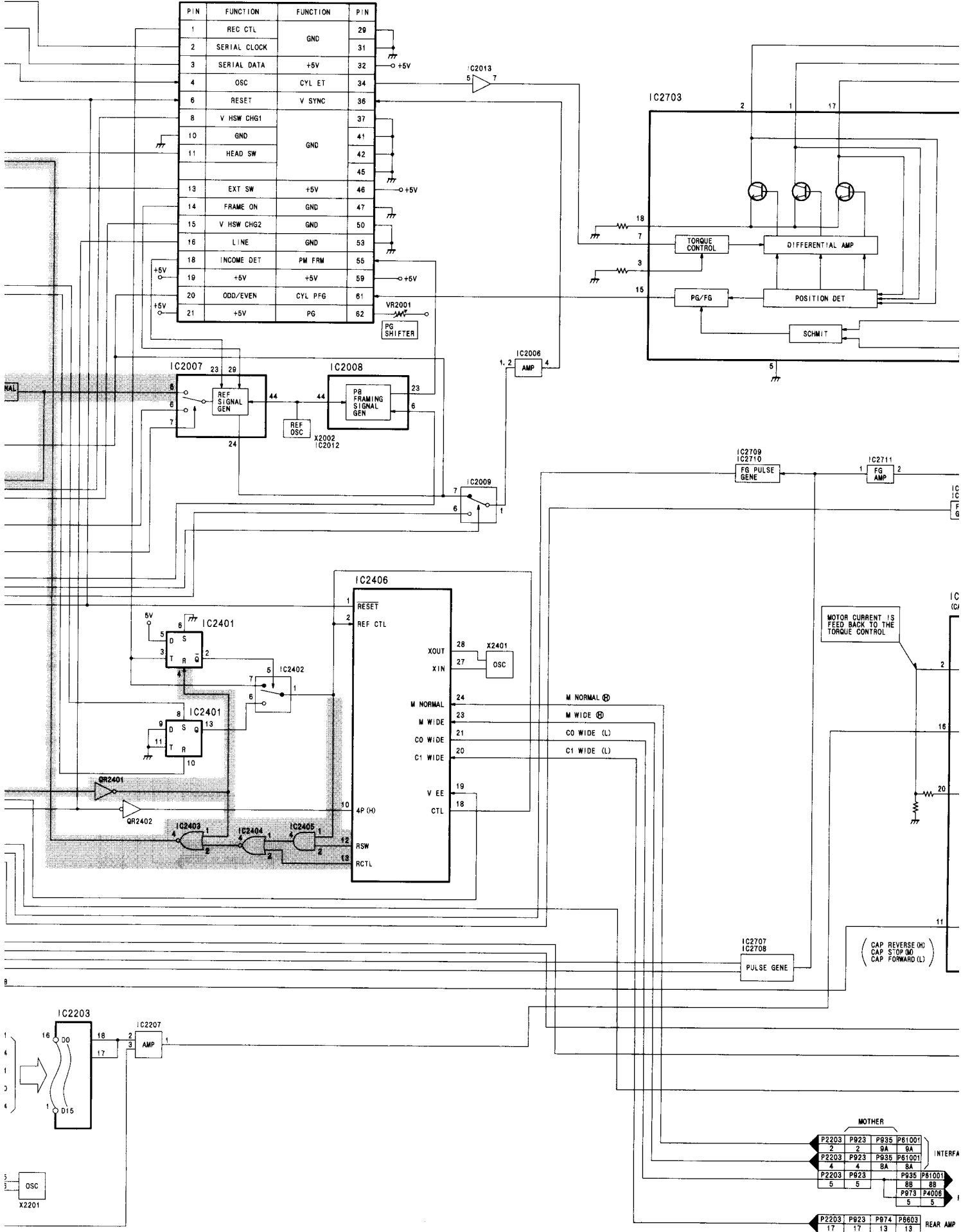
# SERVO BLOCK DIAGRAM





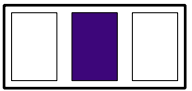
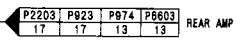
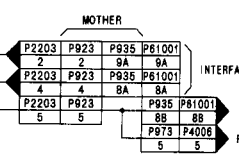
IC2001

PIN	FUNCTION	FUNCTION	PIN
1	REC CTL		29
2	SERIAL CLOCK	GND	31
3	SERIAL DATA	+5V	32
4	OSC	CYL ET	34
6	RESET	V SYNC	36
8	V HSW CHG1		37
10	GND		41
11	HEAD SW	GND	42
			45
13	EXT SW	+5V	46
14	FRAME ON	GND	47
15	V HSW CHG2	GND	50
16	LINE	GND	53
18	INCOME DET	PM FRM	55
19	+5V	+5V	59
20	ODD/EVEN	CYL PFG	61
21	+5V	PG	62

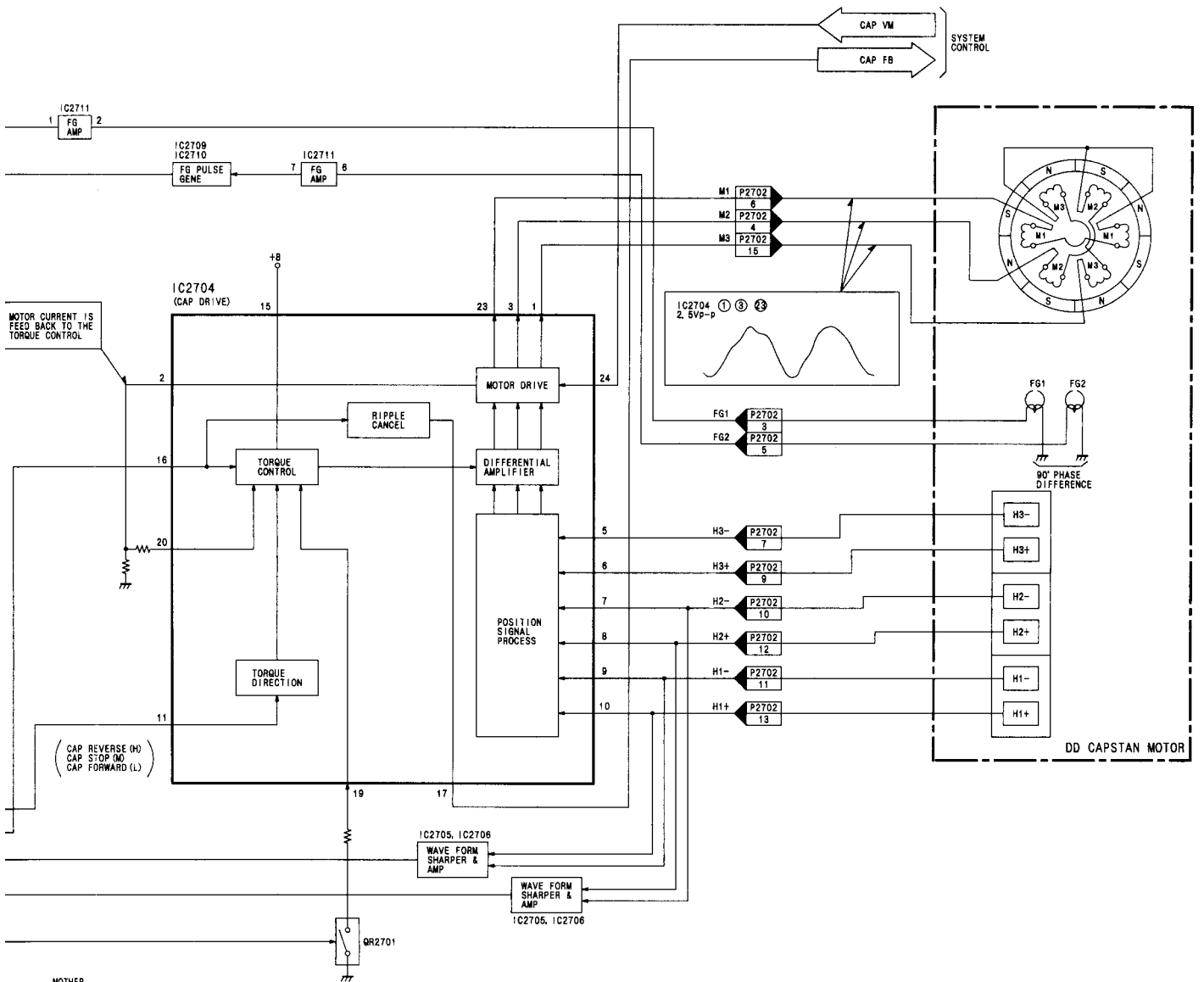
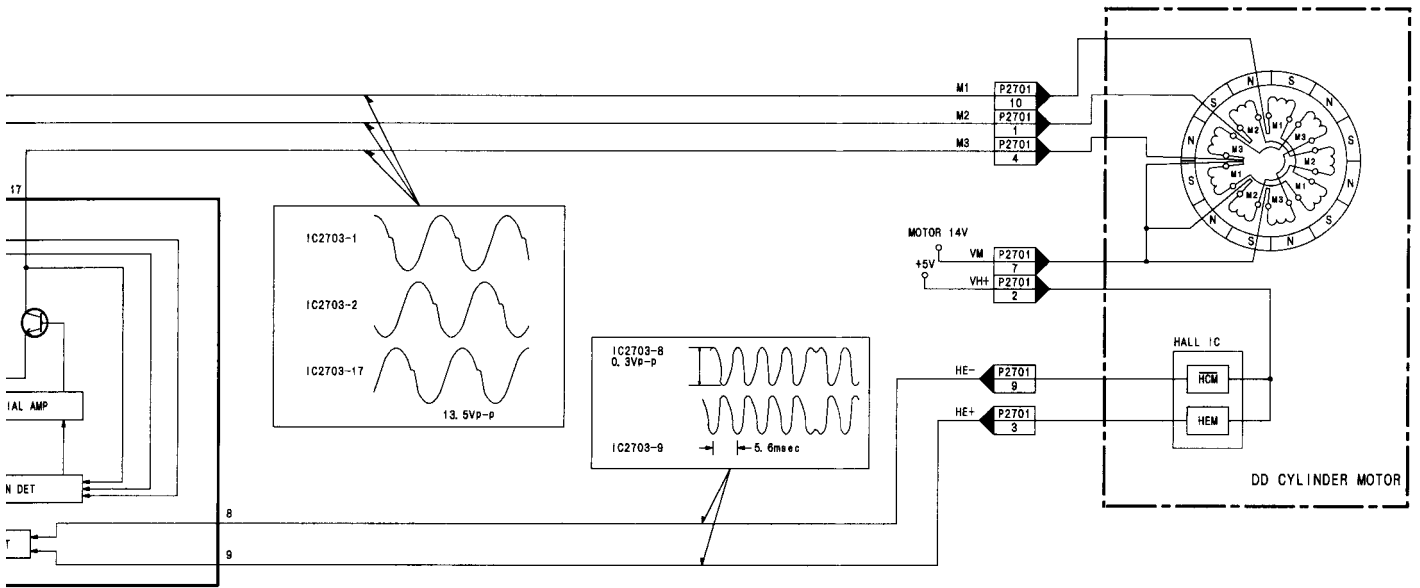


MOTOR CURRENT IS FEED BACK TO THE TORQUE CONTROL

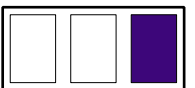
(CAP REVERSE (H))  
CAP STOP (0)  
CAP FORWARD (L)



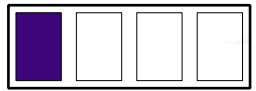
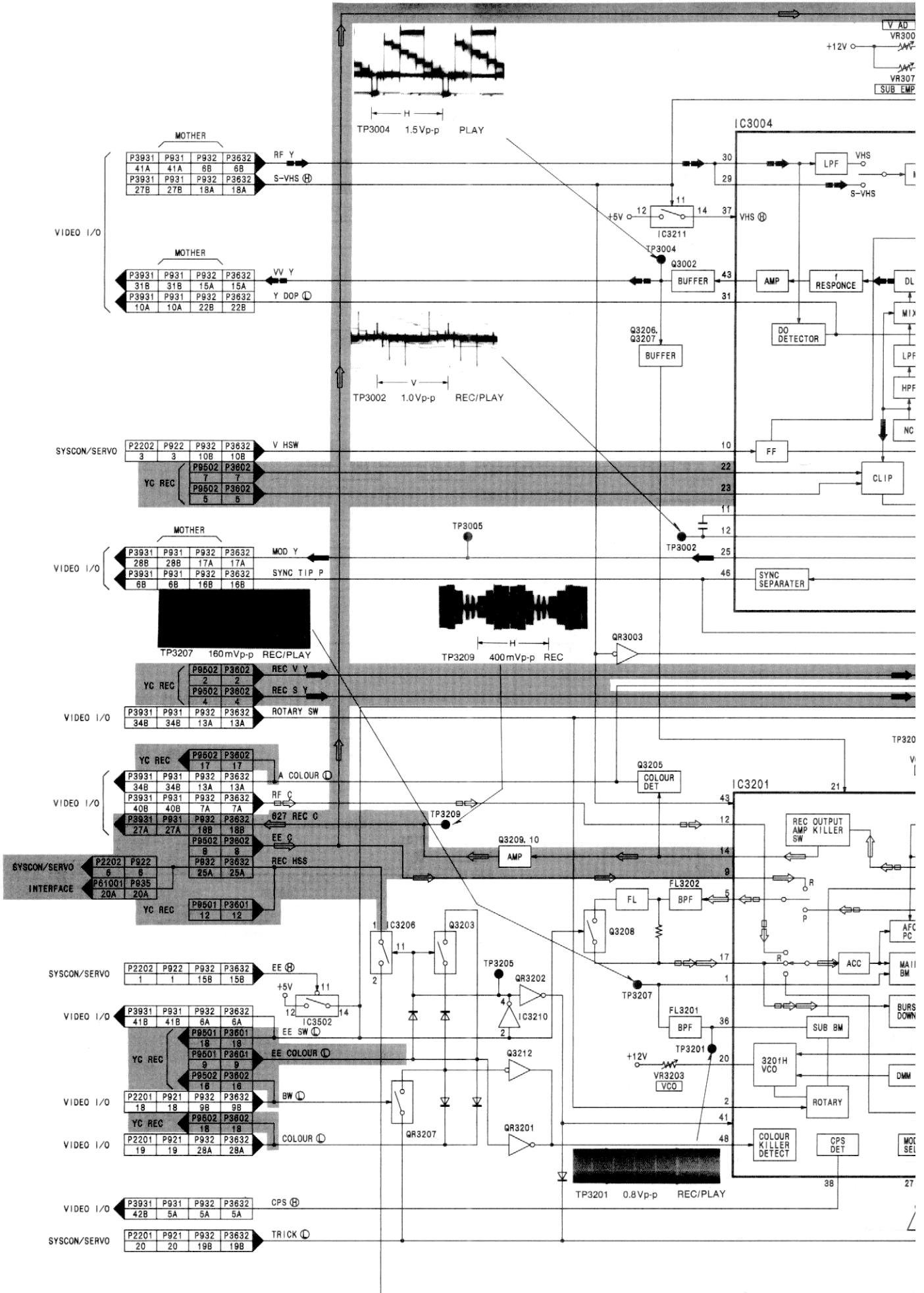


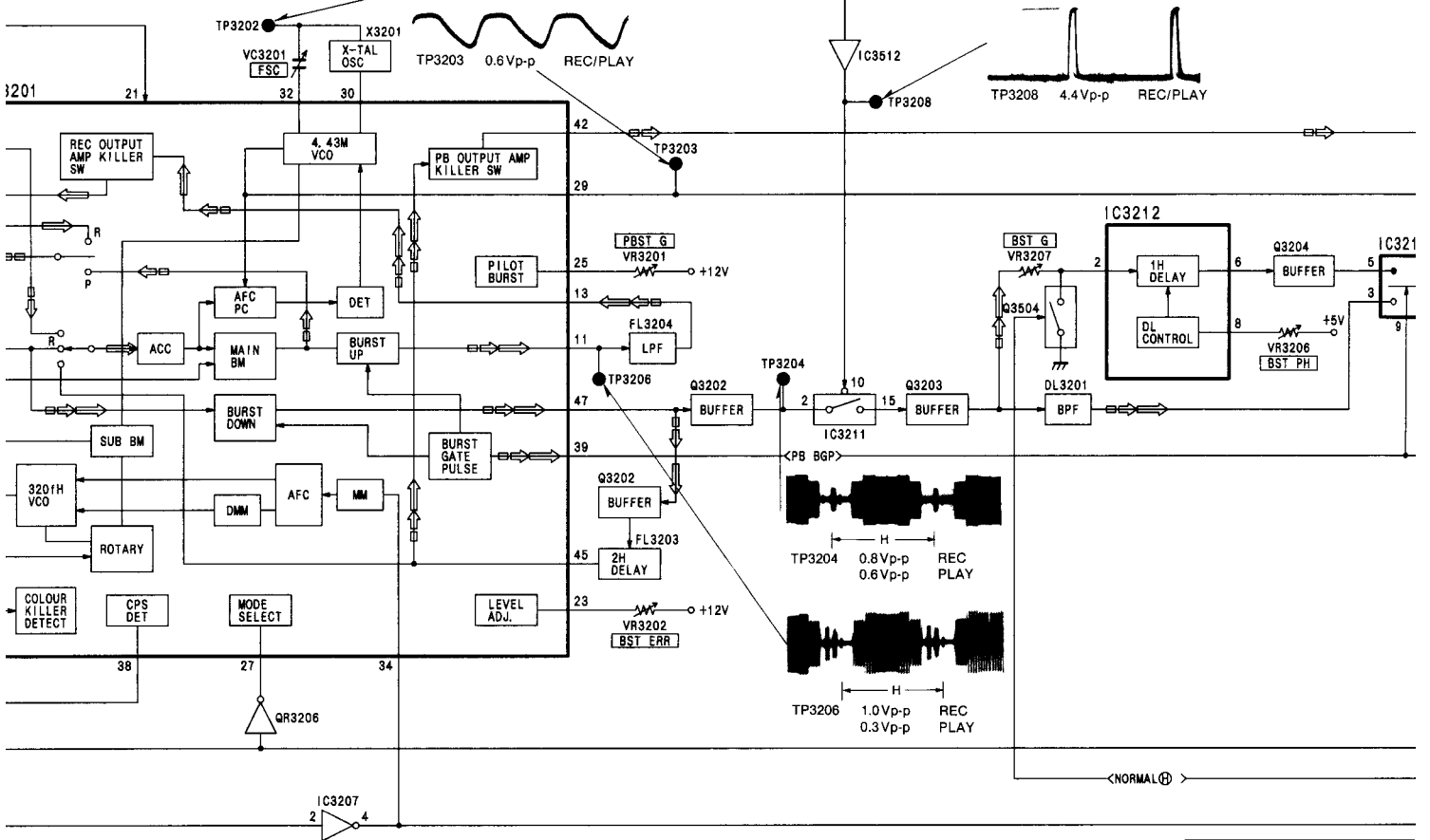
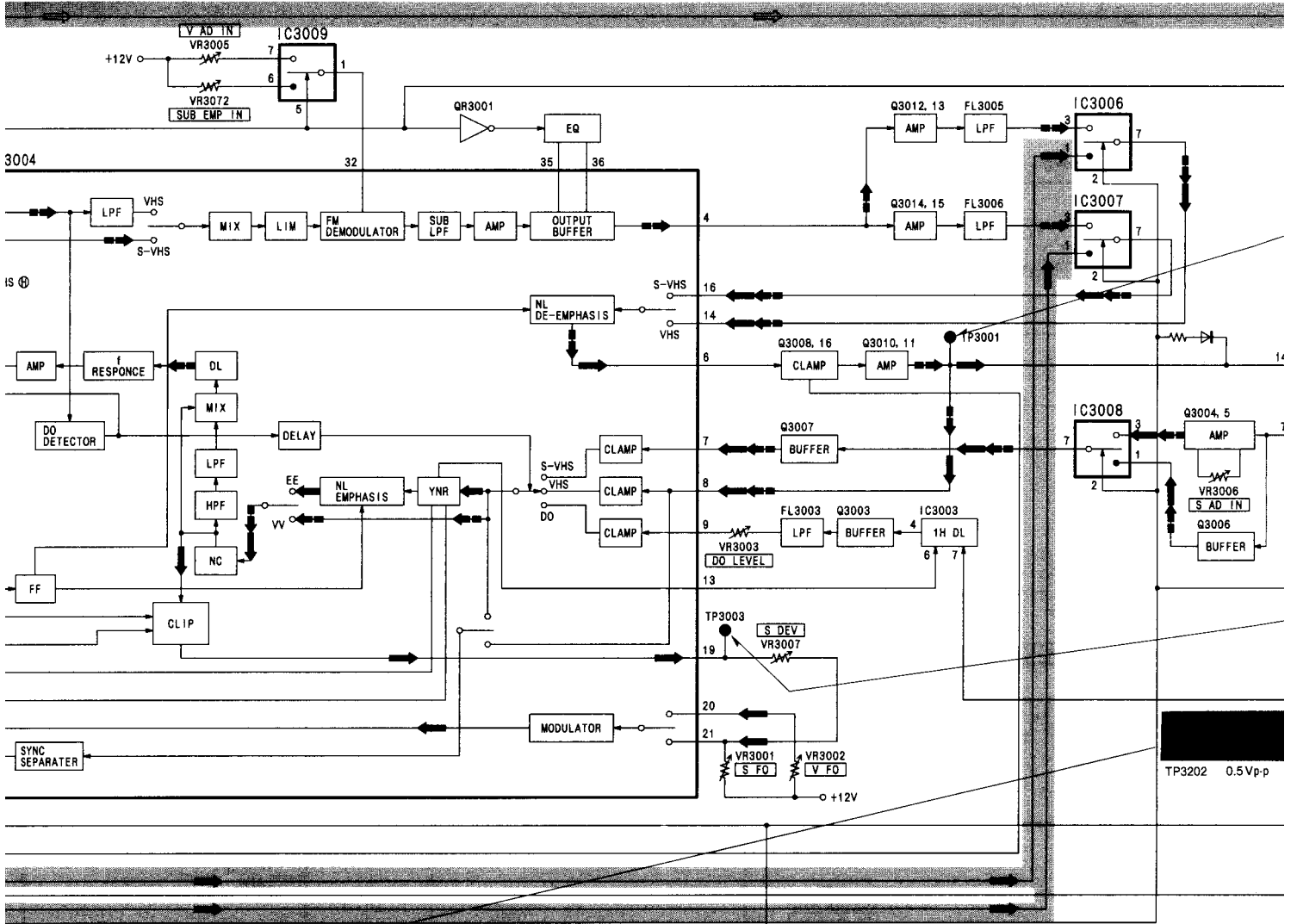


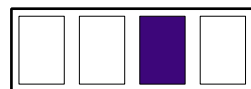
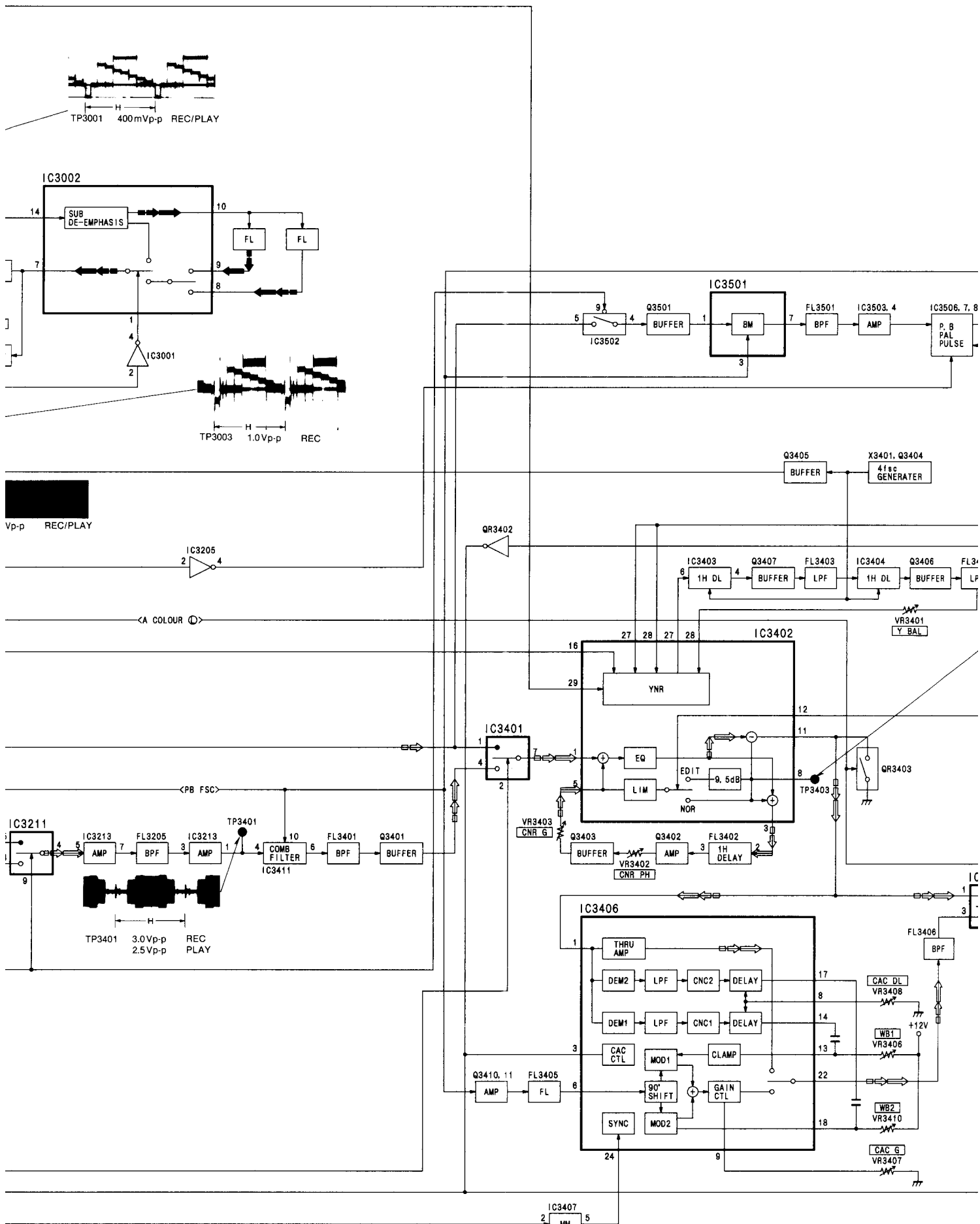
MOTHER							
P2203	P823	P835	P61001	INTERFACE			
2	2	8A	9A				
P2203	P823	P835	P61001	INTERFACE			
4	4	8A	8A				
P2203	P823	P835	P61001	INTERFACE			
5	5	8B	8B				
		P873	P4006	REAR AMP			
		5	5				
REAR AMP							
P2203	P823	P974	P6503				
17	17	13	13				



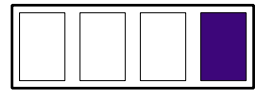
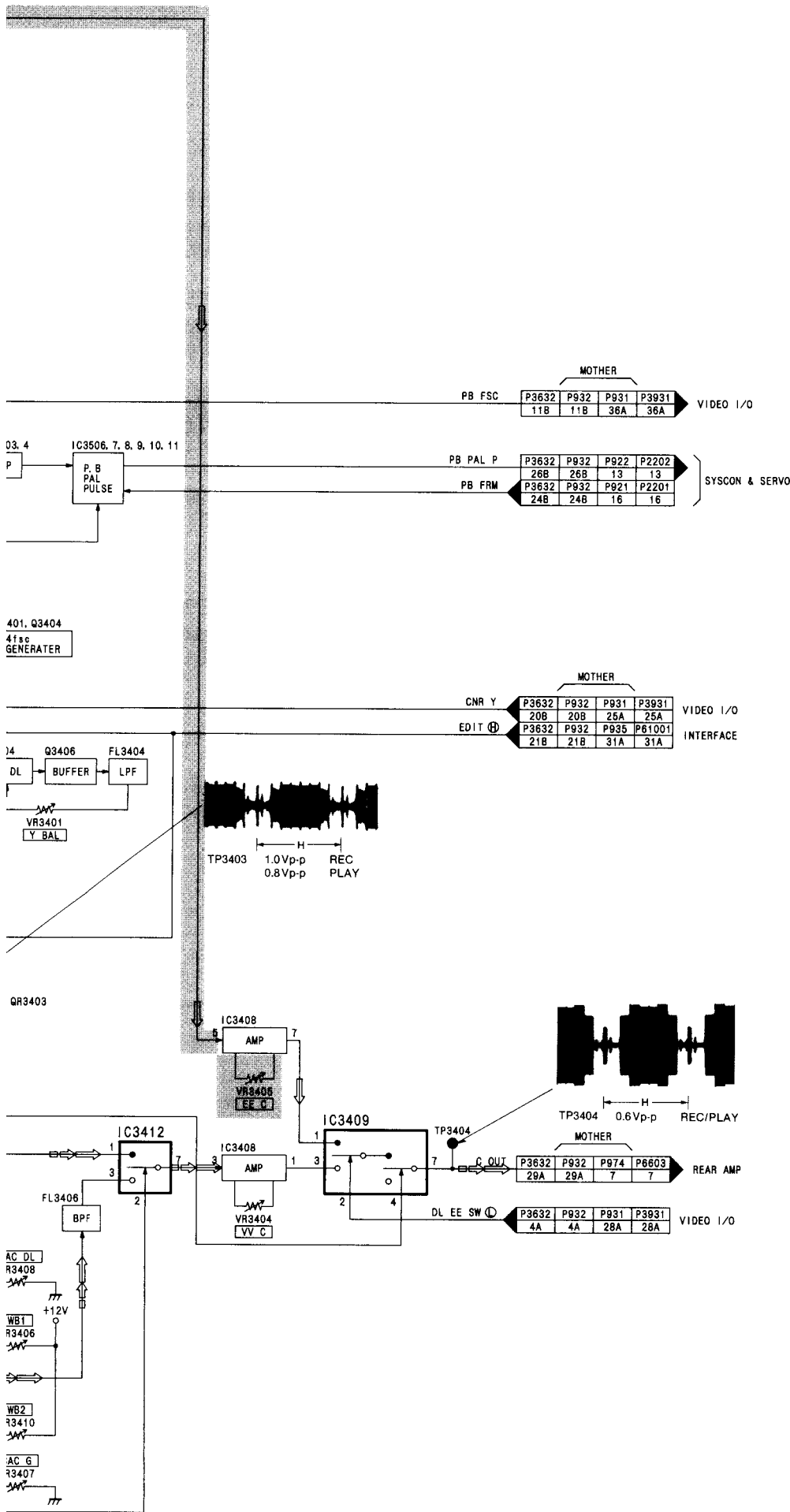
# VIDEO YC BLOCK DIAGRAM



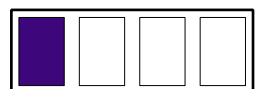
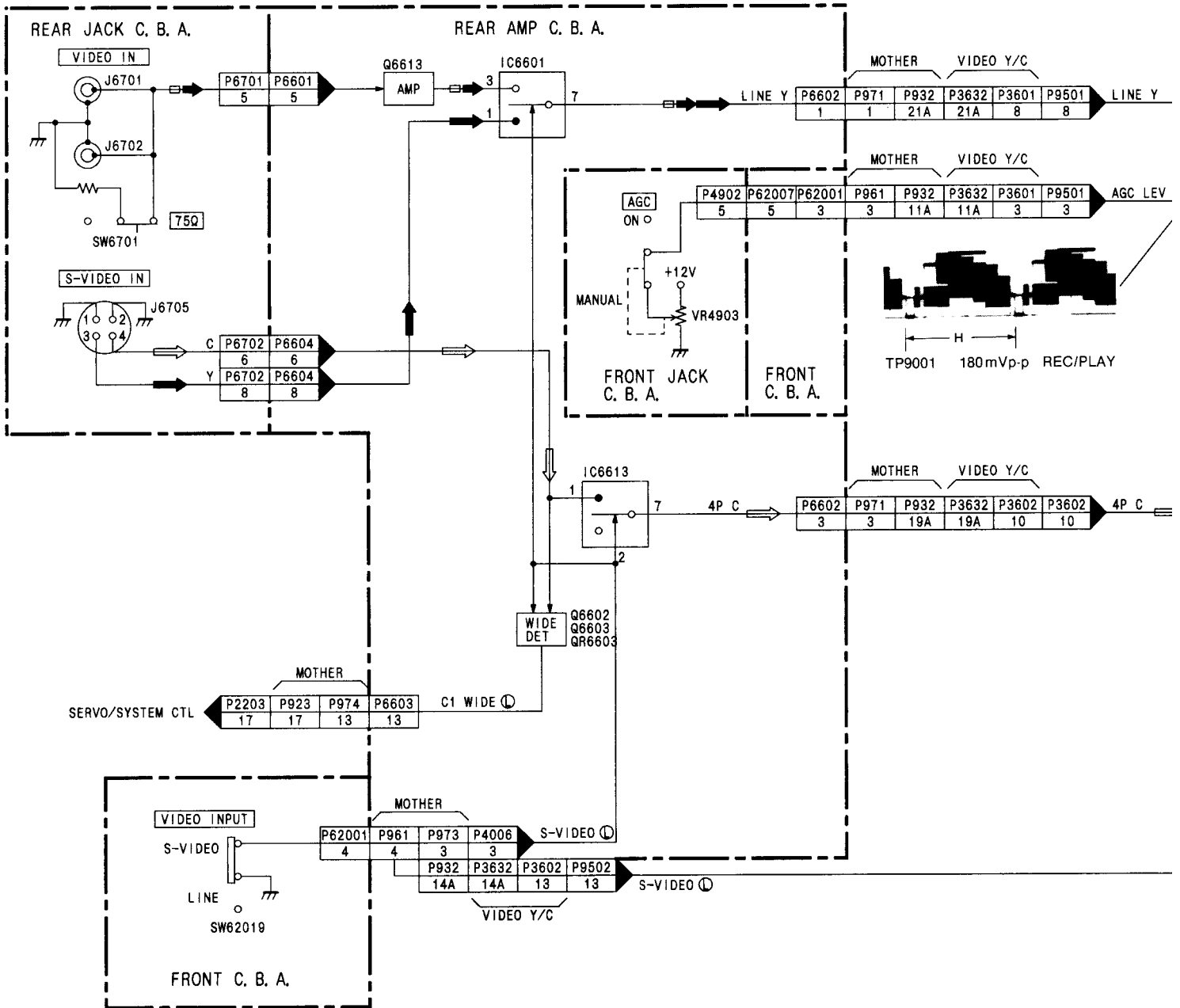




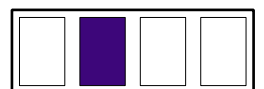
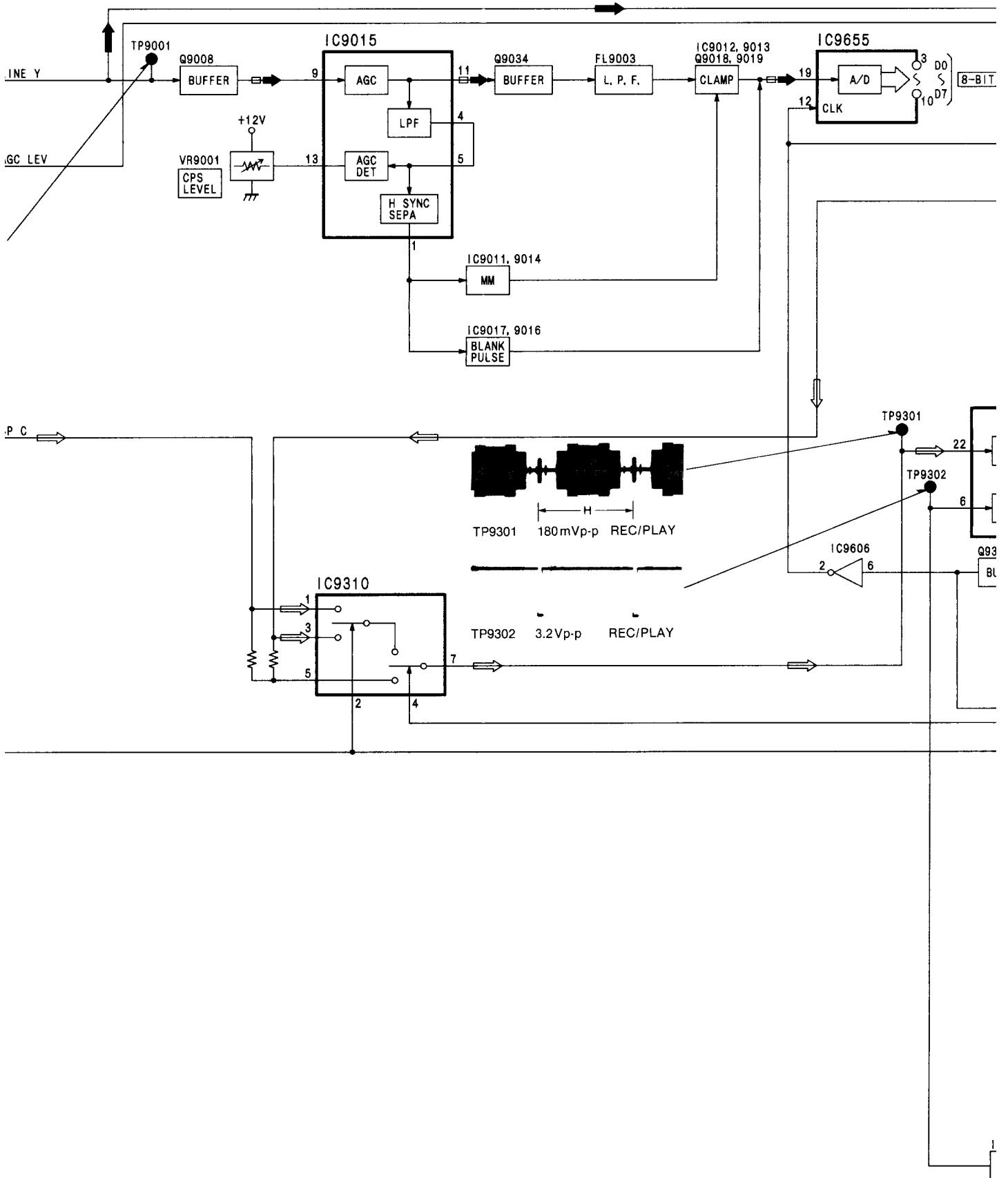
← CHROMINANCE MAIN SIGNAL PATH IN PLAYBACK MODE



# YC REC BLOCK DIAGRAM



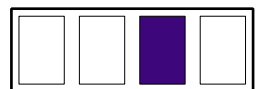
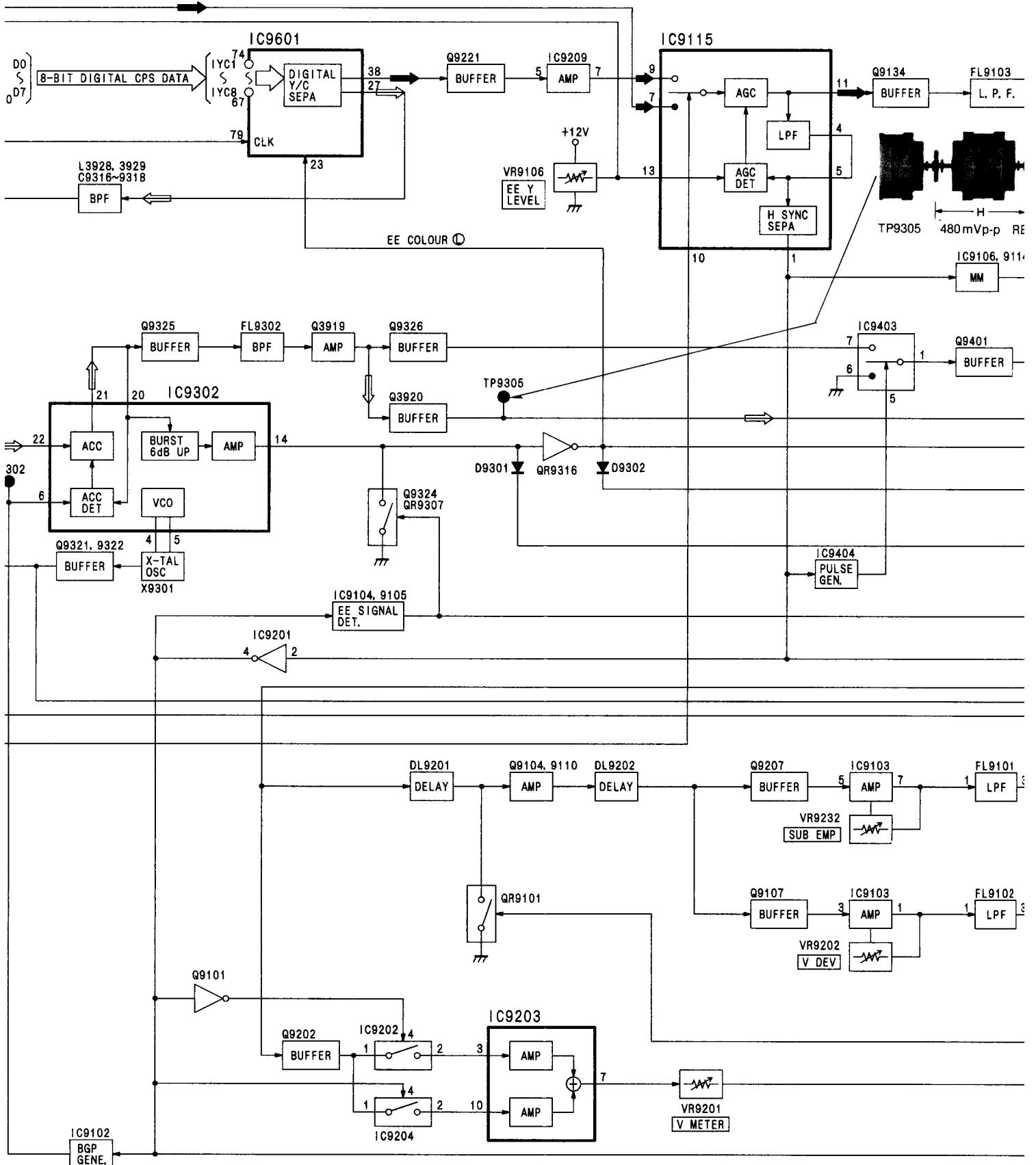
← LUMINANCE MAIN SIGNAL PATH IN REC MODE      ← CHROMINANCE MAIN SIGNAL



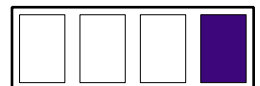
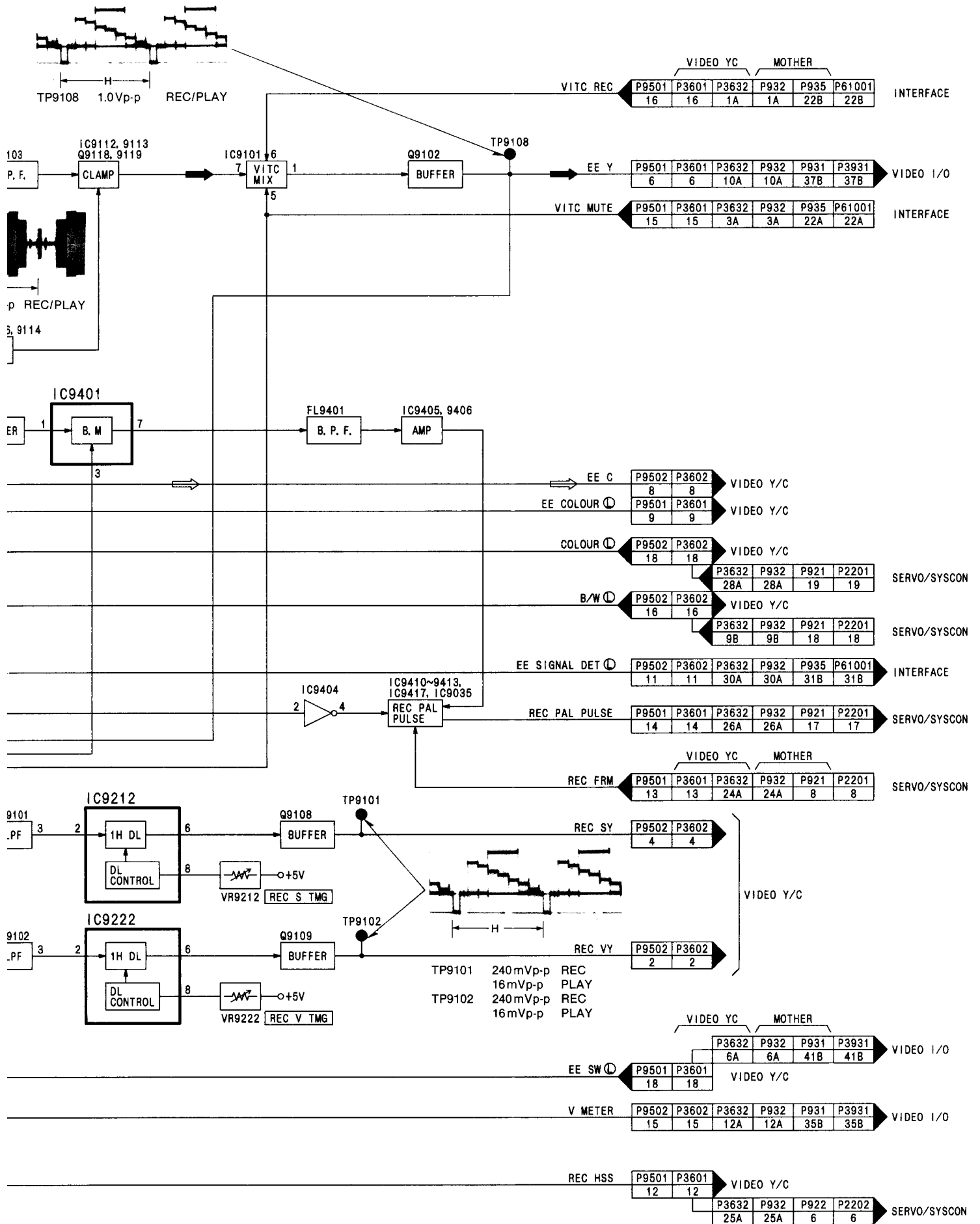


SIGNAL PATH IN REC MODE

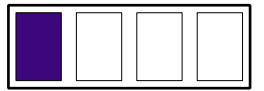
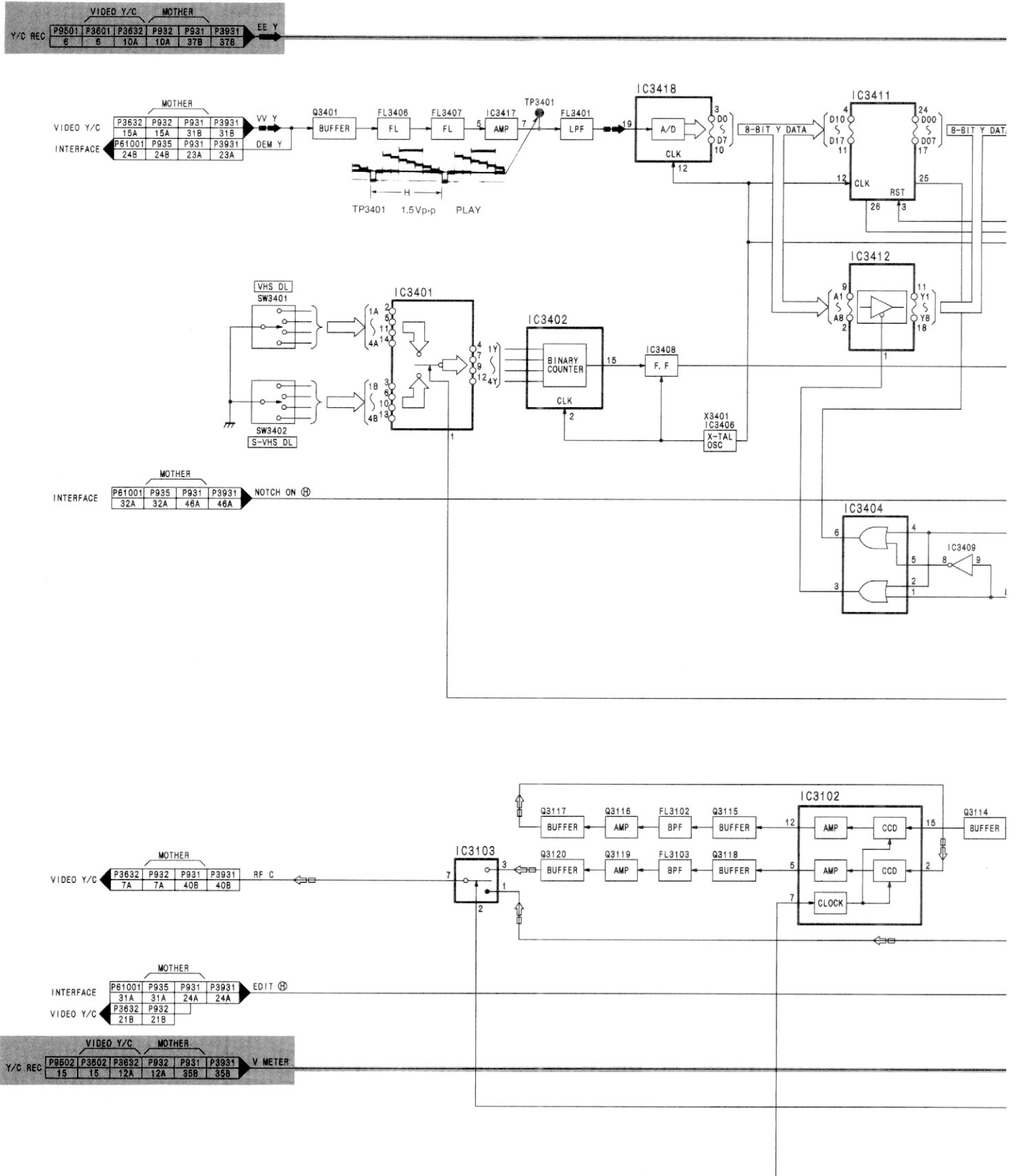
← □ COMPOSITE MAIN SIGNAL PATH IN REC MODE

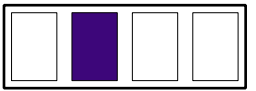
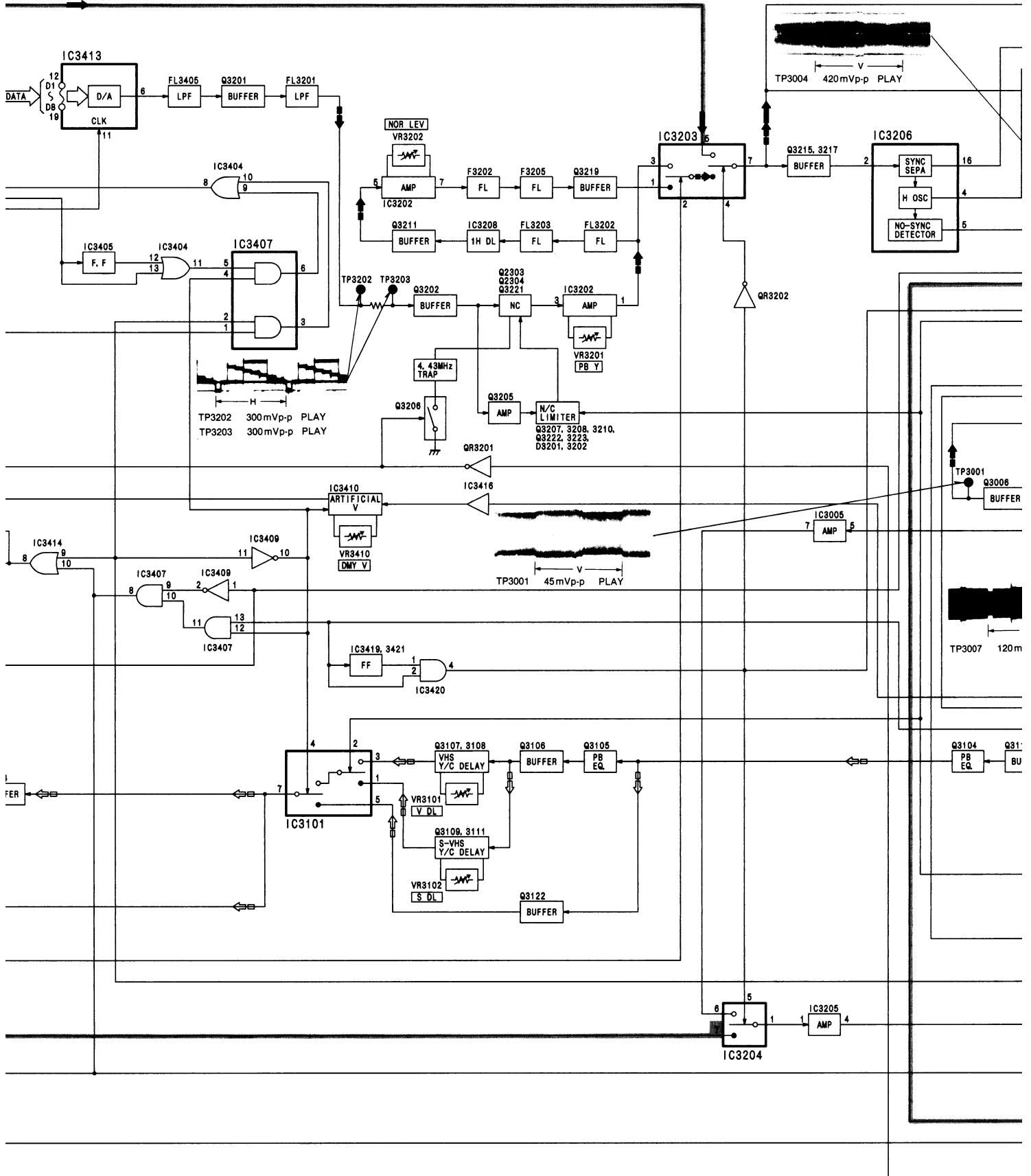






# VIDEO I/O BLOCK DIAGRAM



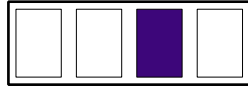
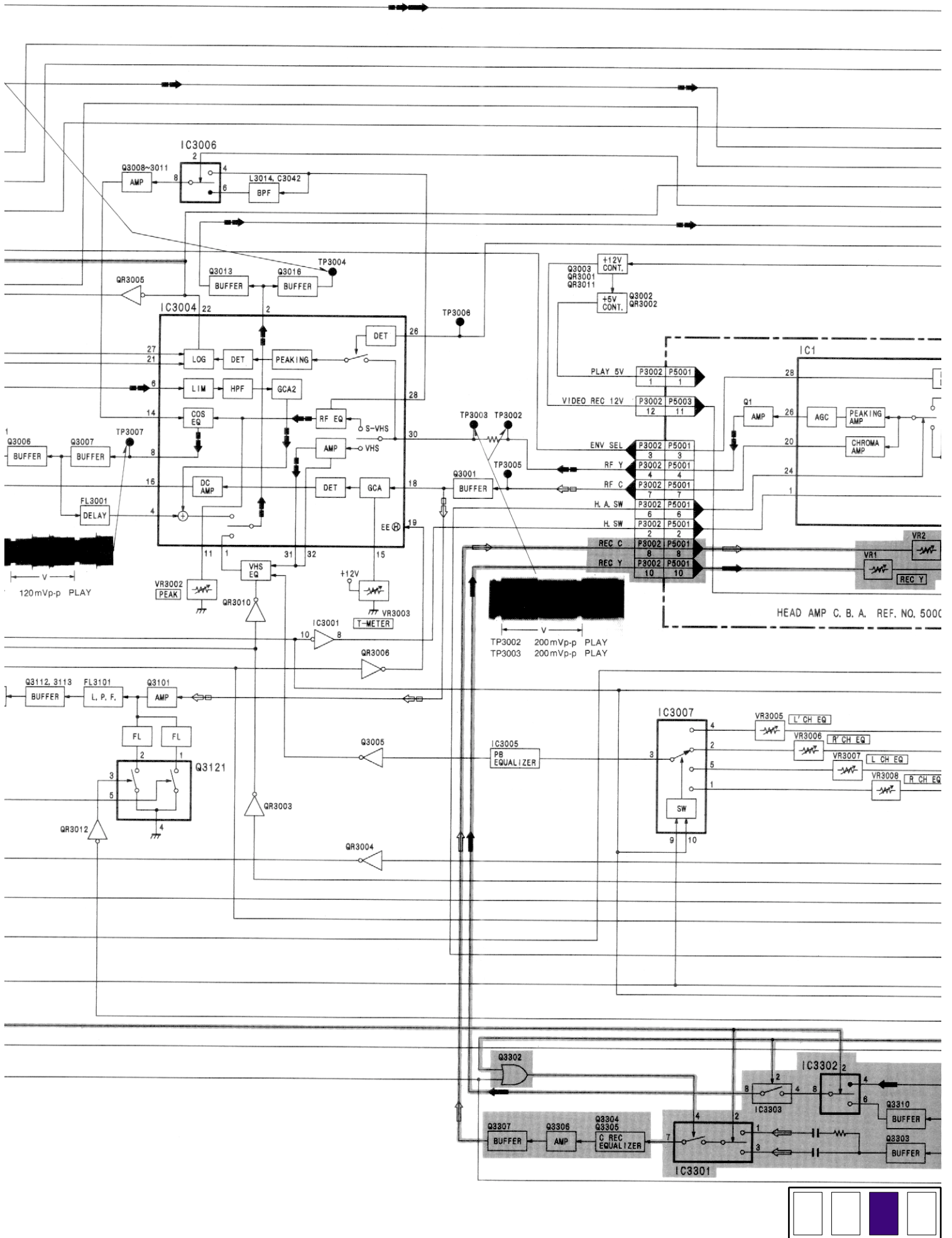


← LUMINANCE MAIN SIGNAL PATH IN REC MODE

← CHROMINANCE MAIN SIGNAL P

← LUMINANCE MAIN SIGNAL PATH IN PLAYBACK MODE

← CHROMINANCE MAIN SIGNAL P

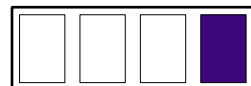
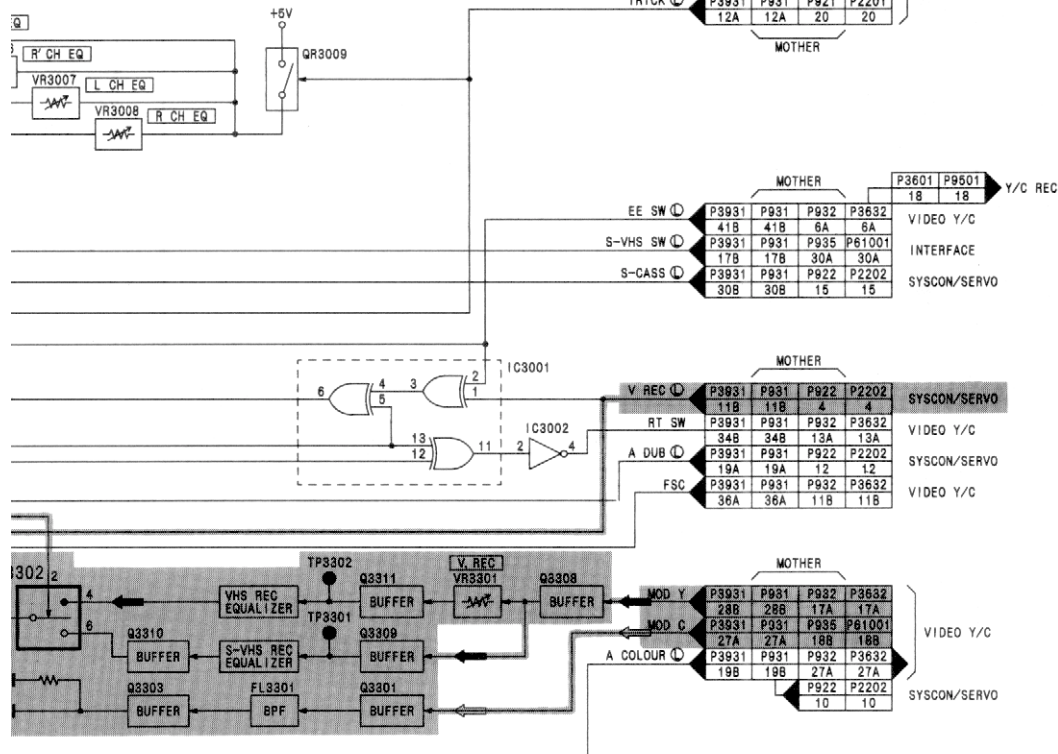
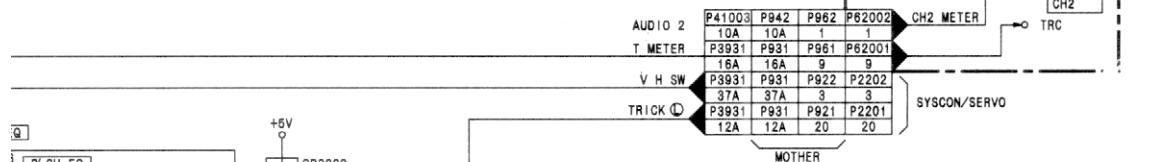
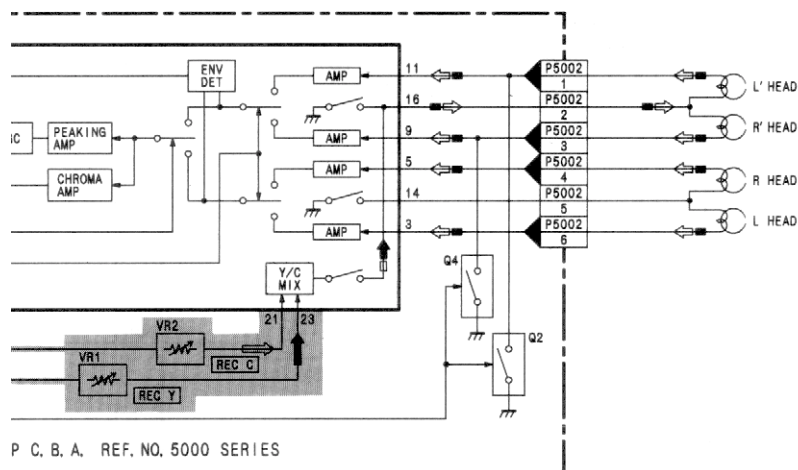
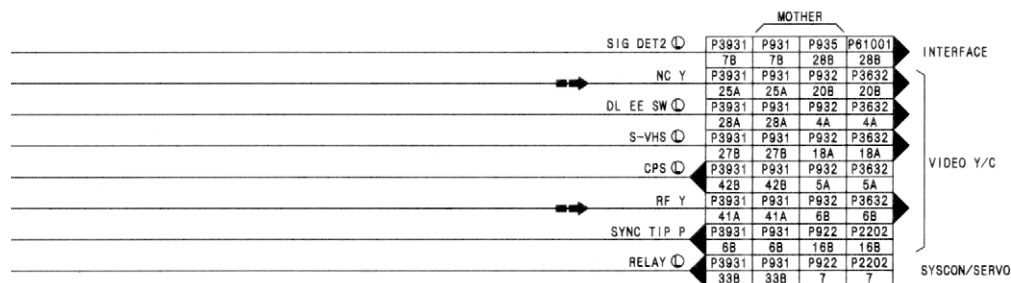
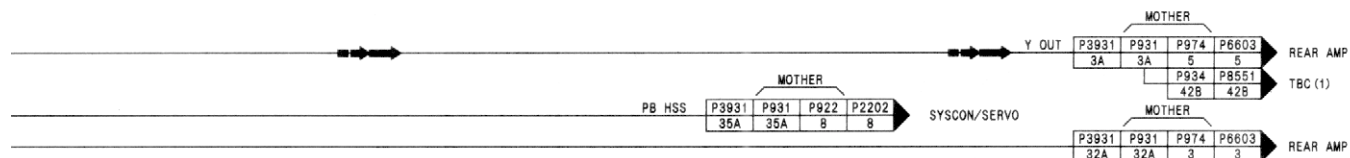


MAIN SIGNAL PATH IN REC MODE

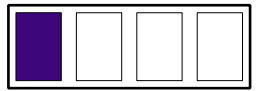
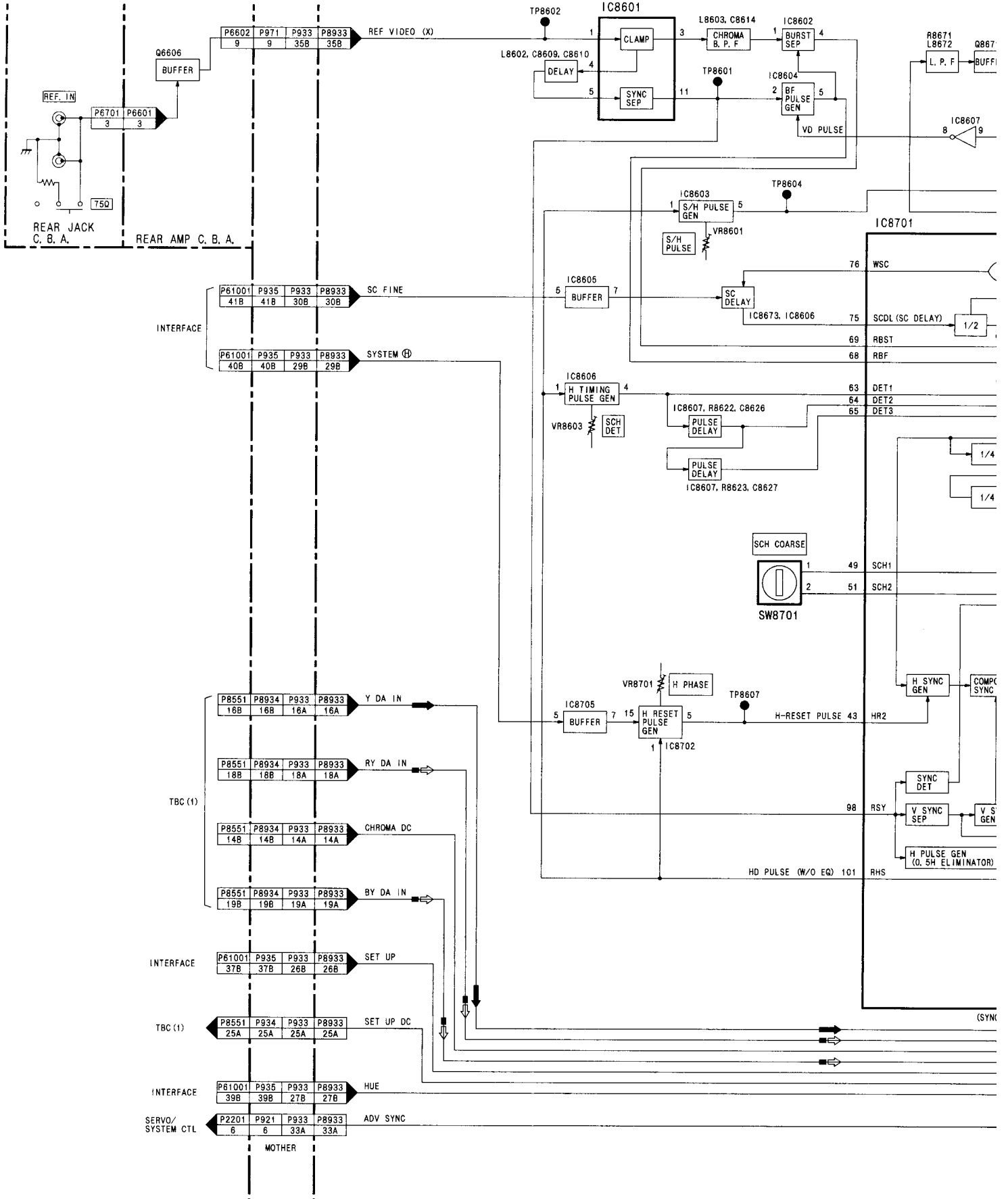
← ◻ COMPOSITE MAIN SIGNAL PATH IN REC MODE

MAIN SIGNAL PATH IN PLAYBACK MODE

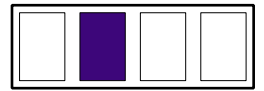
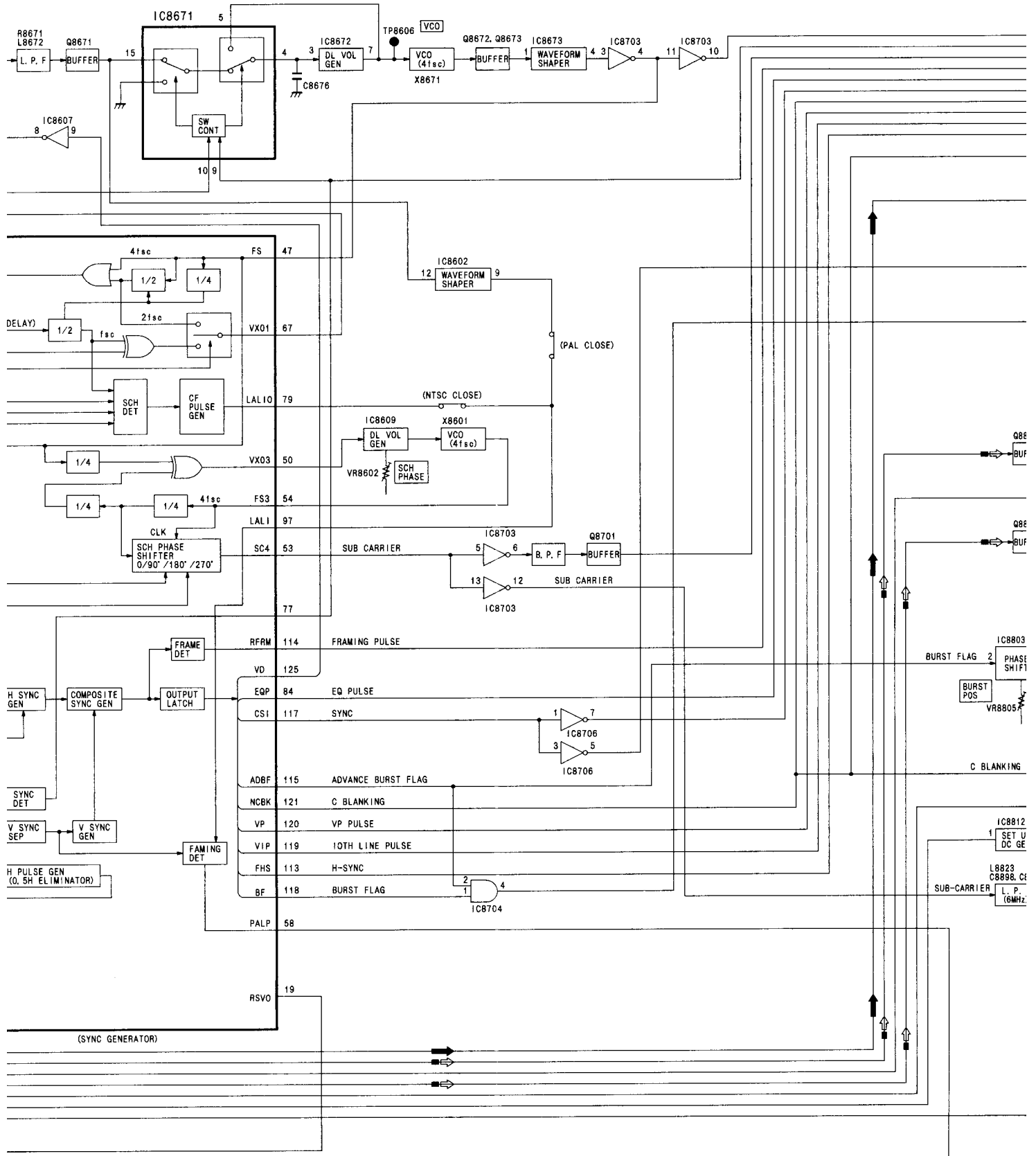
← ◼ COMPOSITE MAIN SIGNAL PATH IN PLAYBACK MODE



# TBC (2) BLOCK DIAGRAM

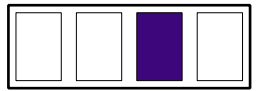
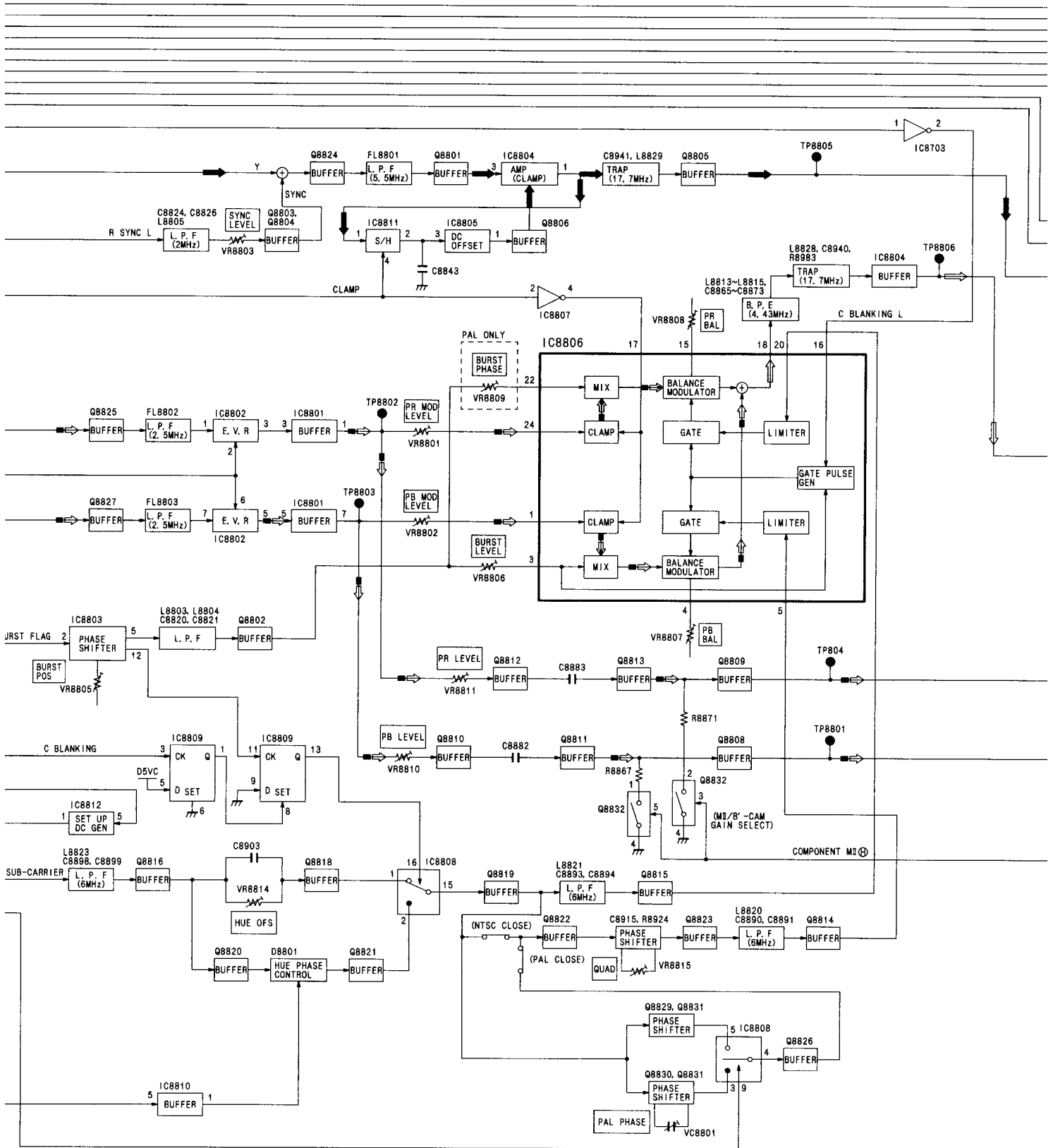






← LUMINANCE MAIN SIGNAL PATH

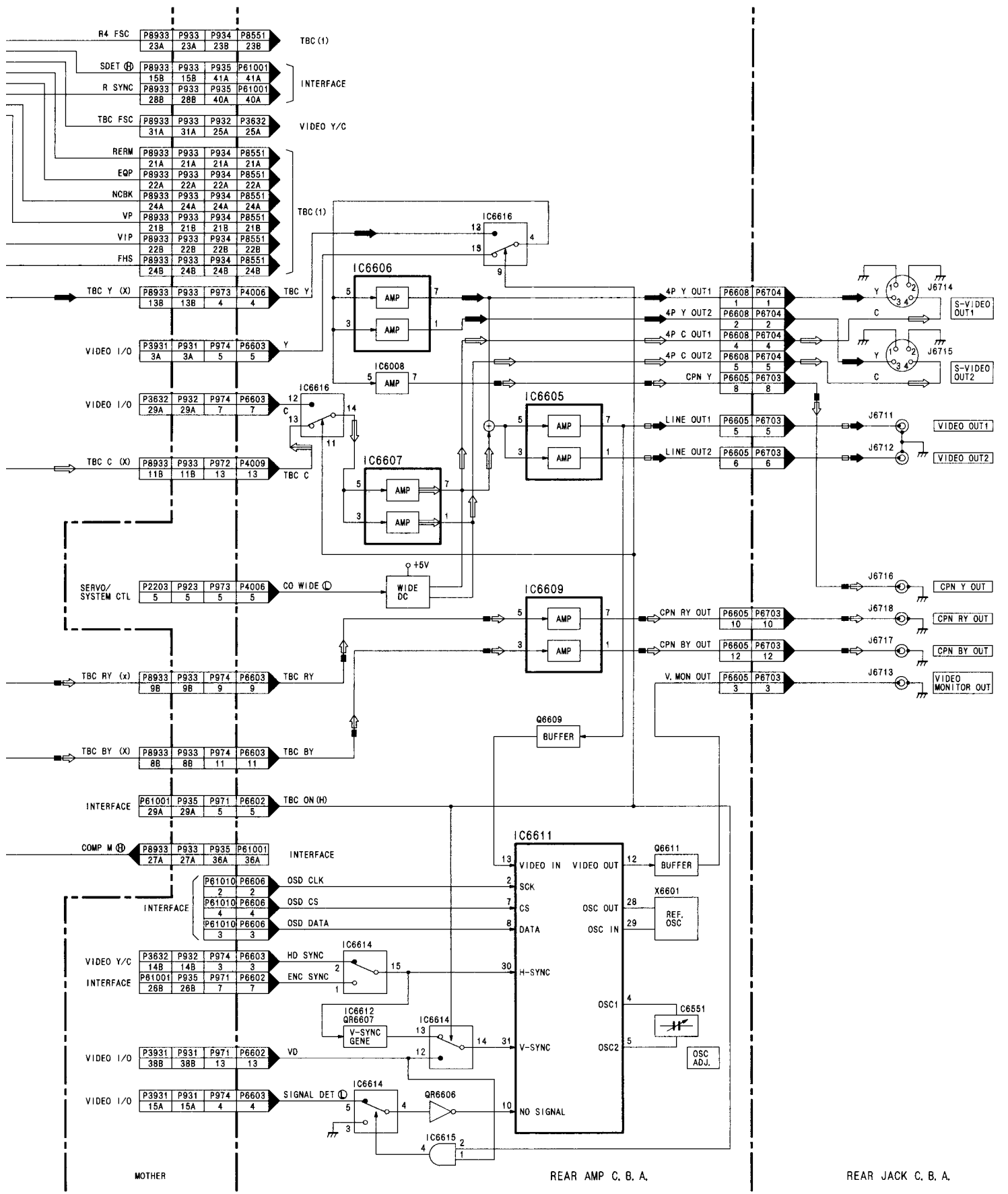
← CHROMINANCE MAIN SIGNAL PATH





← ■ COMPONENT MAIN SIGNAL PATH

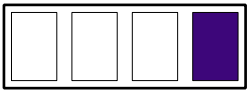
← □ COMPOSITE MAIN SIGNAL PATH



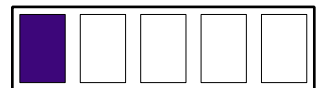
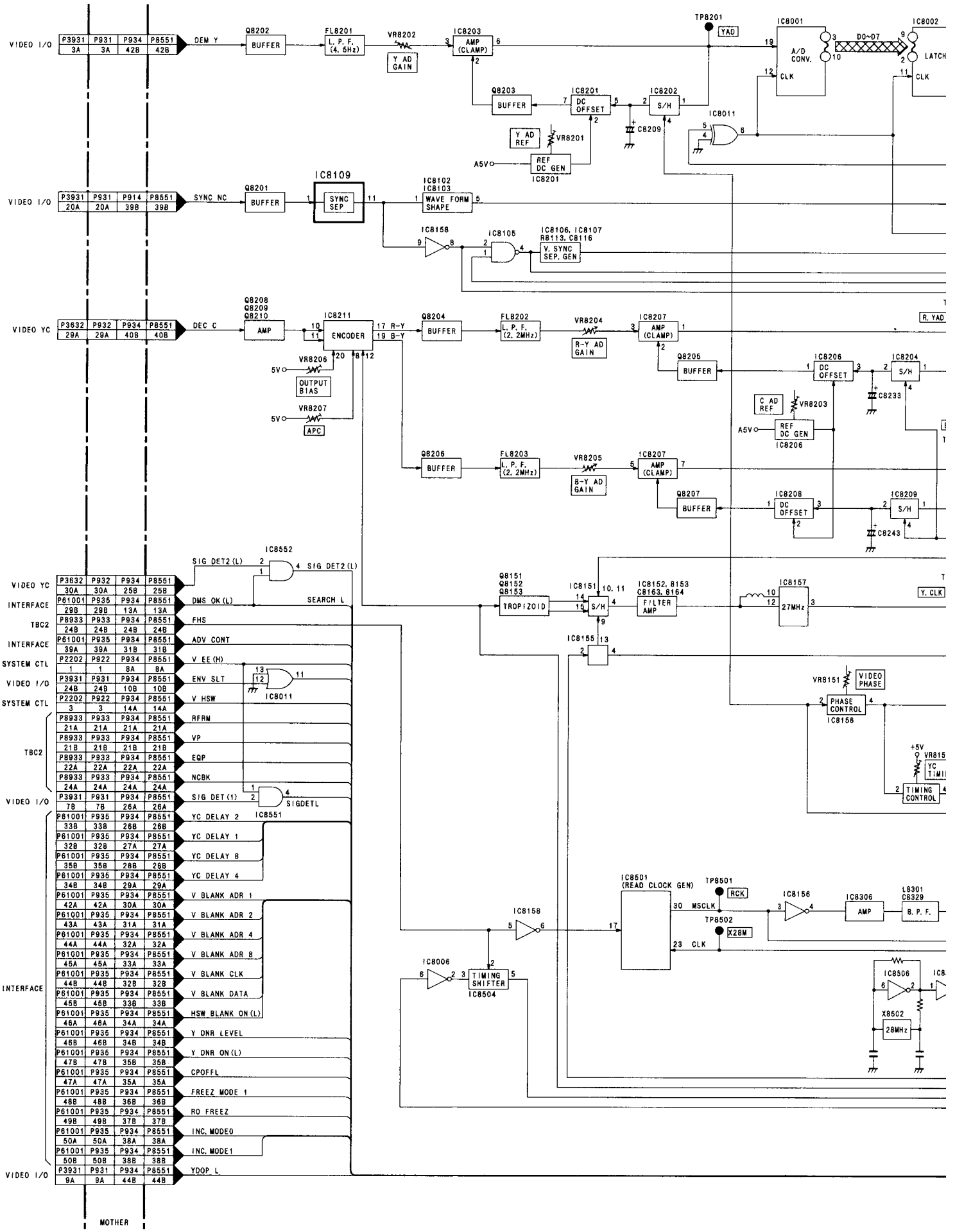
MOTHER

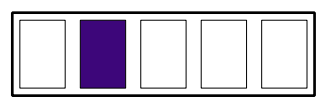
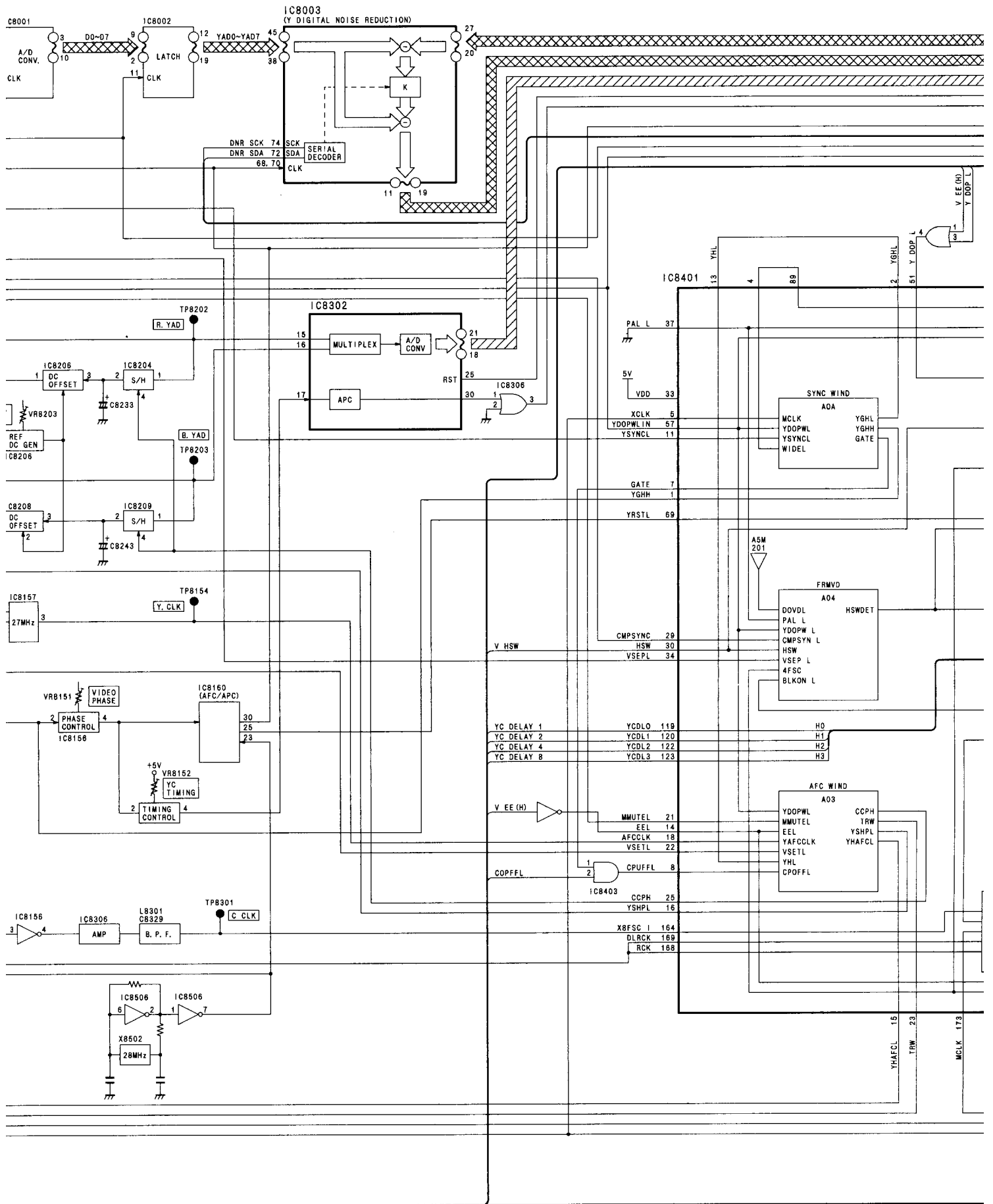
REAR AMP C, B, A.

REAR JACK C, B, A.



# TBC (1) BLOCK DIAGRAM

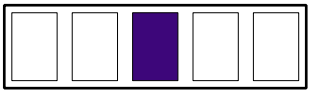
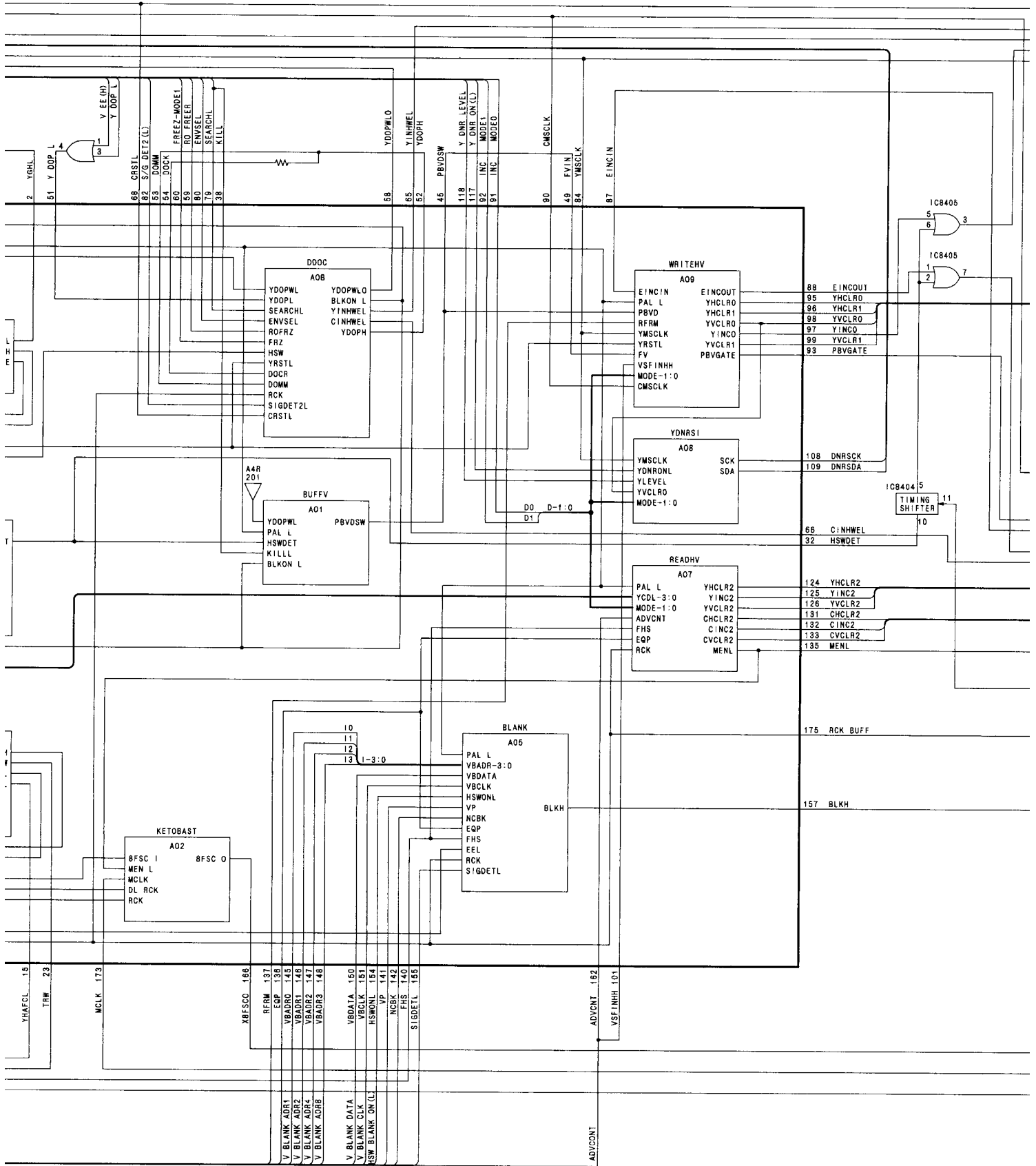


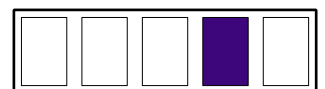
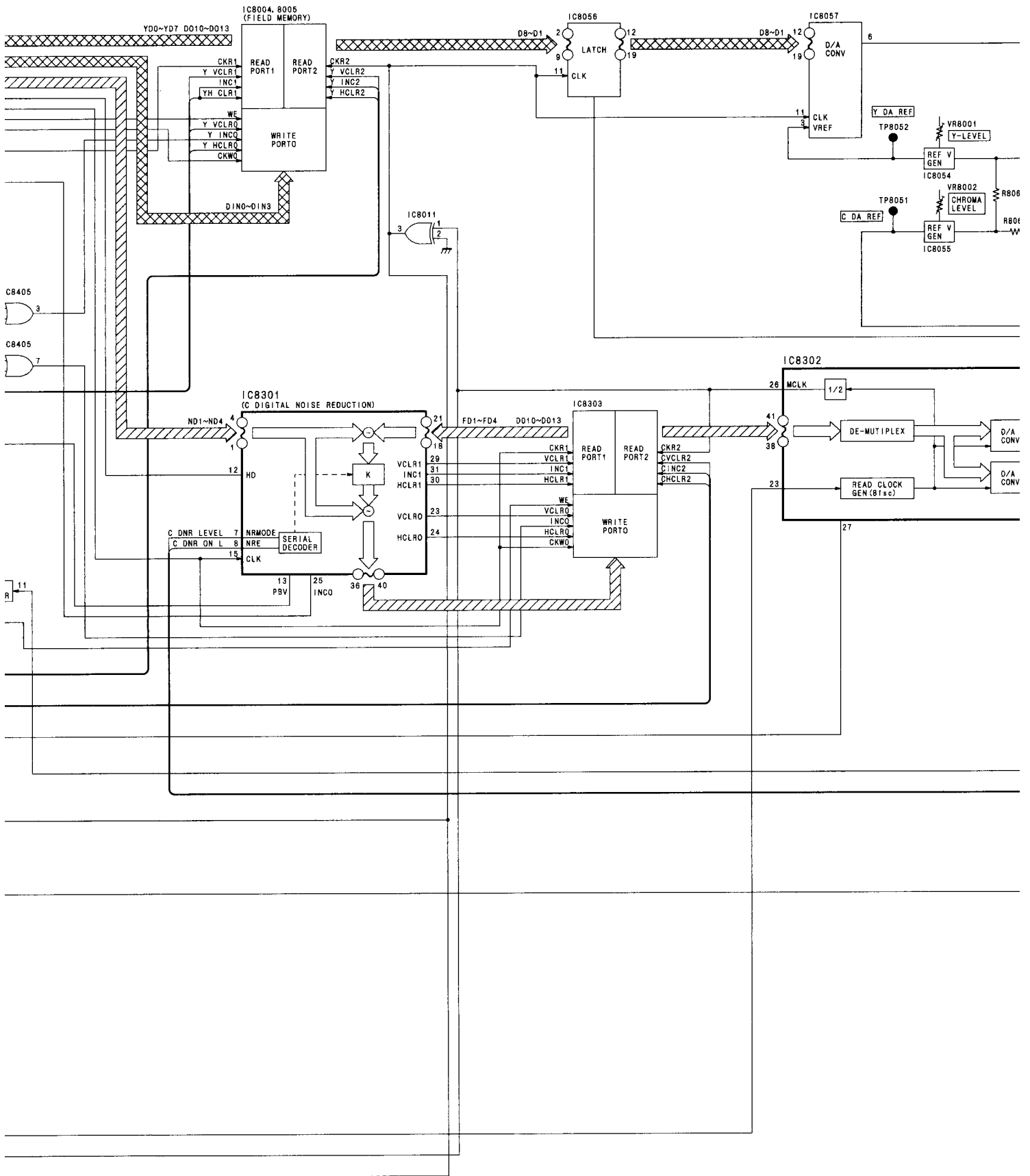


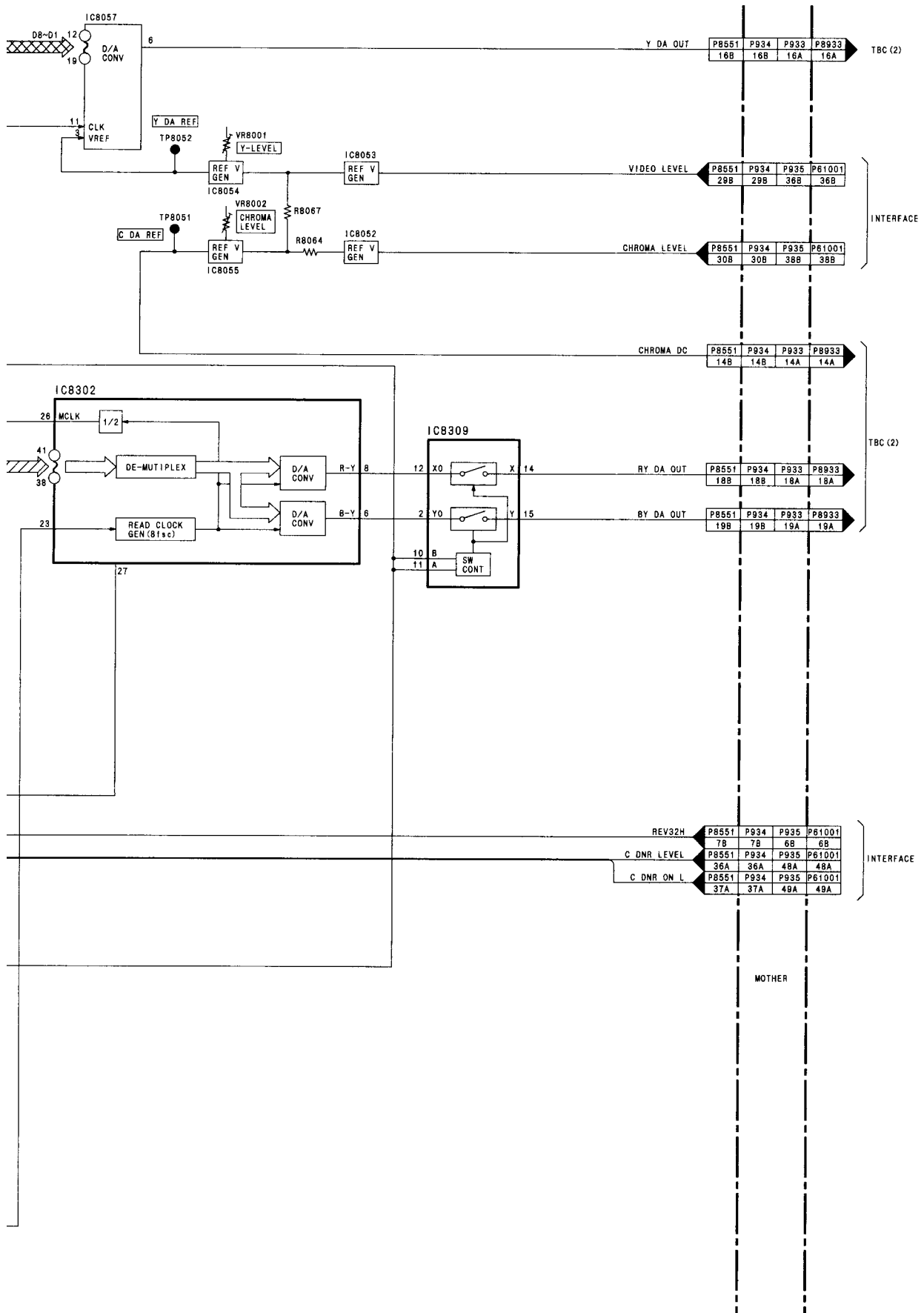
8-BIT DIGITAL Y DATA

8-BIT DIGITAL DATA

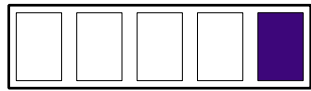
8-BIT DIGITAL C DATA



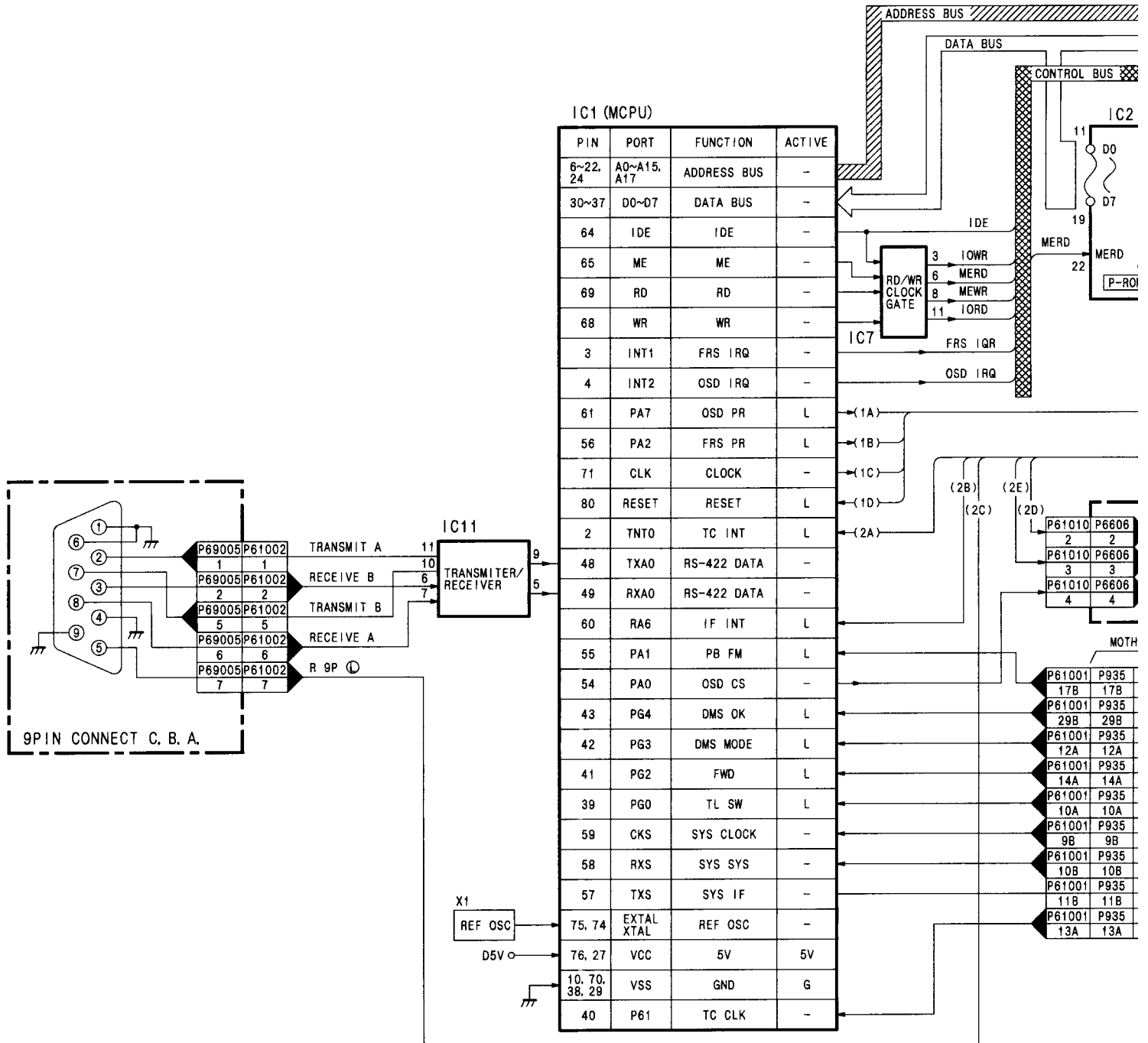




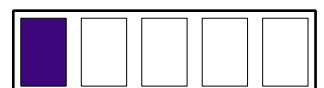
REV32H	P8551	P934	P935	P61001
	7B	7B	6B	6B
C DNR LEVEL	P8551	P934	P935	P61001
	36A	36A	48A	48A
C DNR ON L	P8551	P934	P935	P61001
	37A	37A	49A	49A

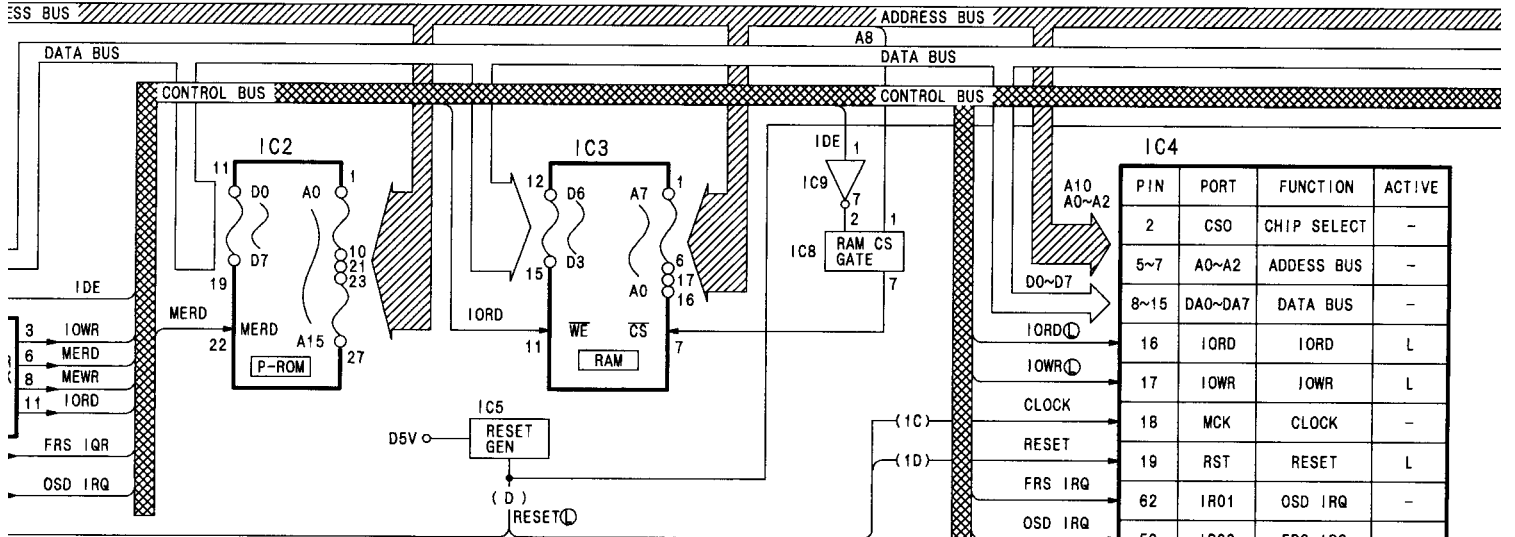


# INTERFACE BLOCK DIAGRAM

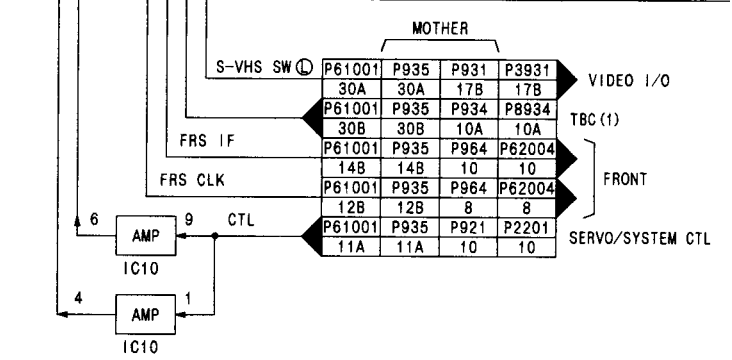
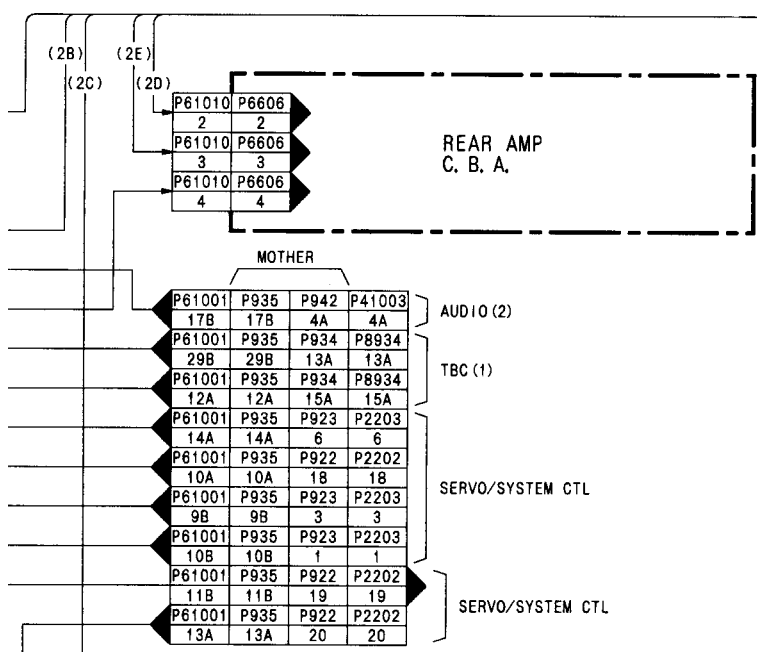


REF. NO. 61000 SERIES

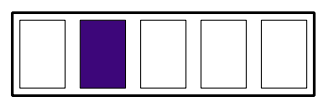




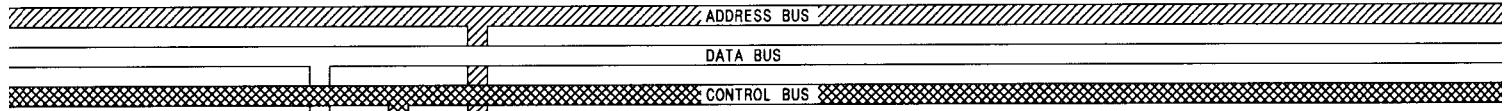
PIN	PORT	FUNCTION	ACTIVE
2	CS0	CHIP SELECT	-
5~7	A0~A2	ADDRESS BUS	-
8~15	DA0~DA7	DATA BUS	-
16	IORD	IORD	L
17	IOWR	IOWR	L
18	MCK	CLOCK	-
19	RST	RESET	L
62	IR01	OSD IRQ	-
50	IR02	FRS IRQ	-
61	IR1	OSD PR	-
49	PR2	FRS PR	-
23, 27	VDD	5V	5V
26, 58	GND	GND	GND
44	CTL	CTL PULSE	H
64	SCK1	OSD CLOCK	-
63	SD1	OSD DATA	-
53	SCK2	FRS CLOCK	-
52	SD0	FRS IF	-
40	PA1	ROTARY SW	-
31	PB2	S-VHS SW	L



NO. 61000 SERIES

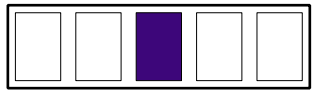
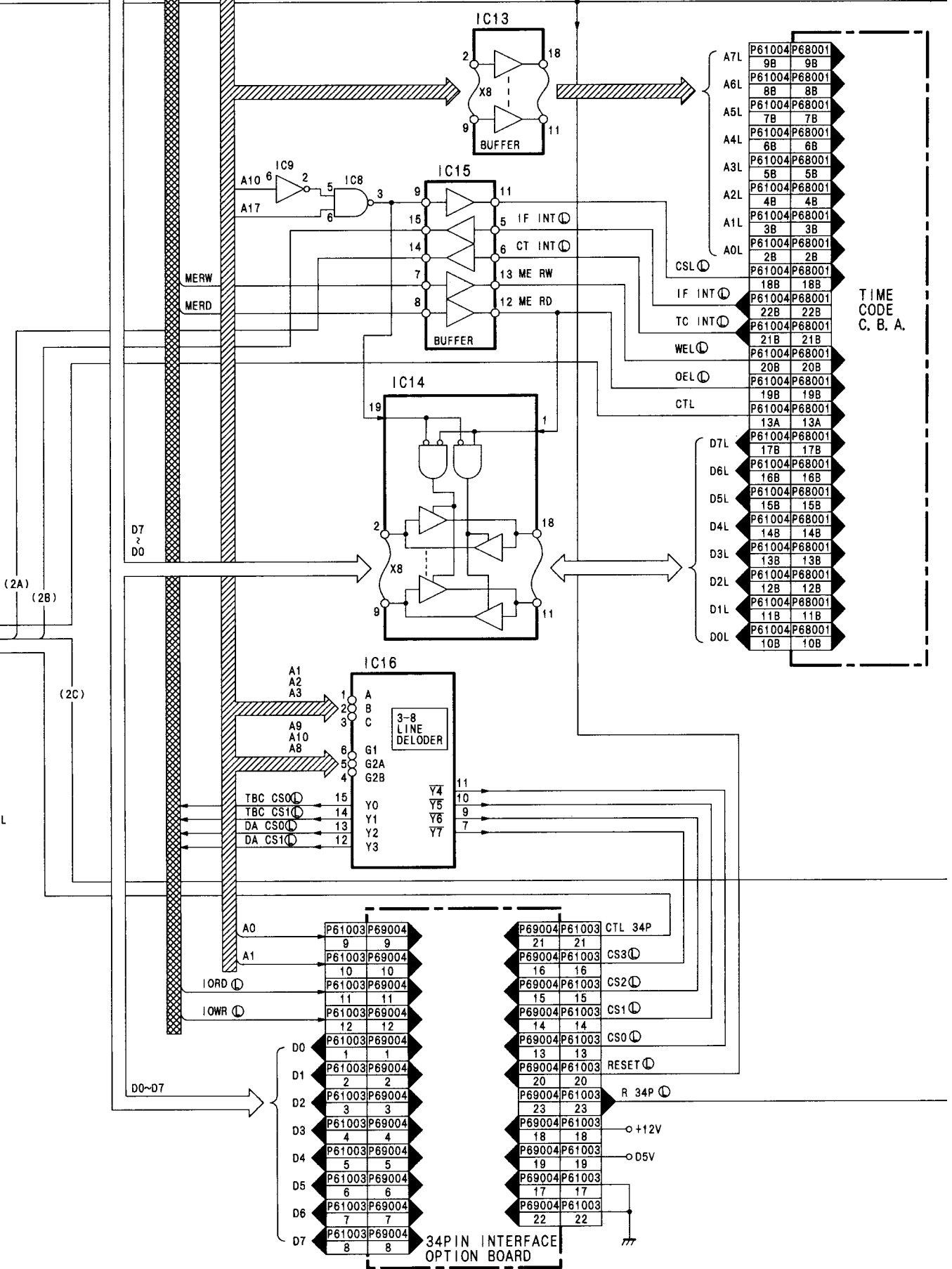


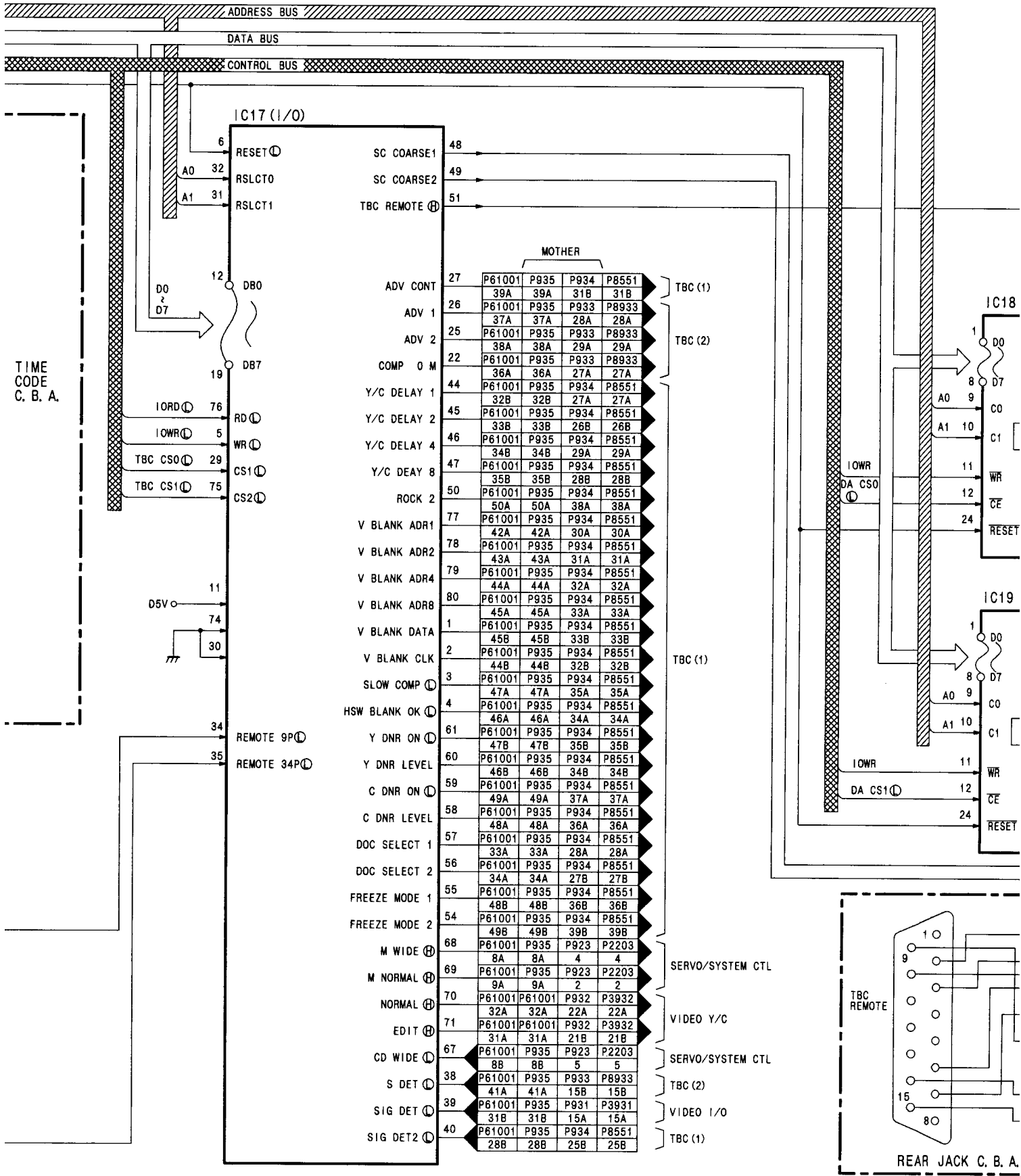




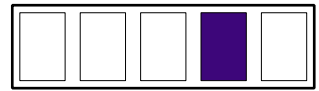
N	ACTIVE
ECT	-
US	-
S	-
	L
	L
	-
	L
3	-
3	-
	-
	-
	5V
	GND
SE	H
CK	-
A	-
CK	-
	-
SW	-
W	L

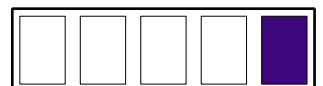
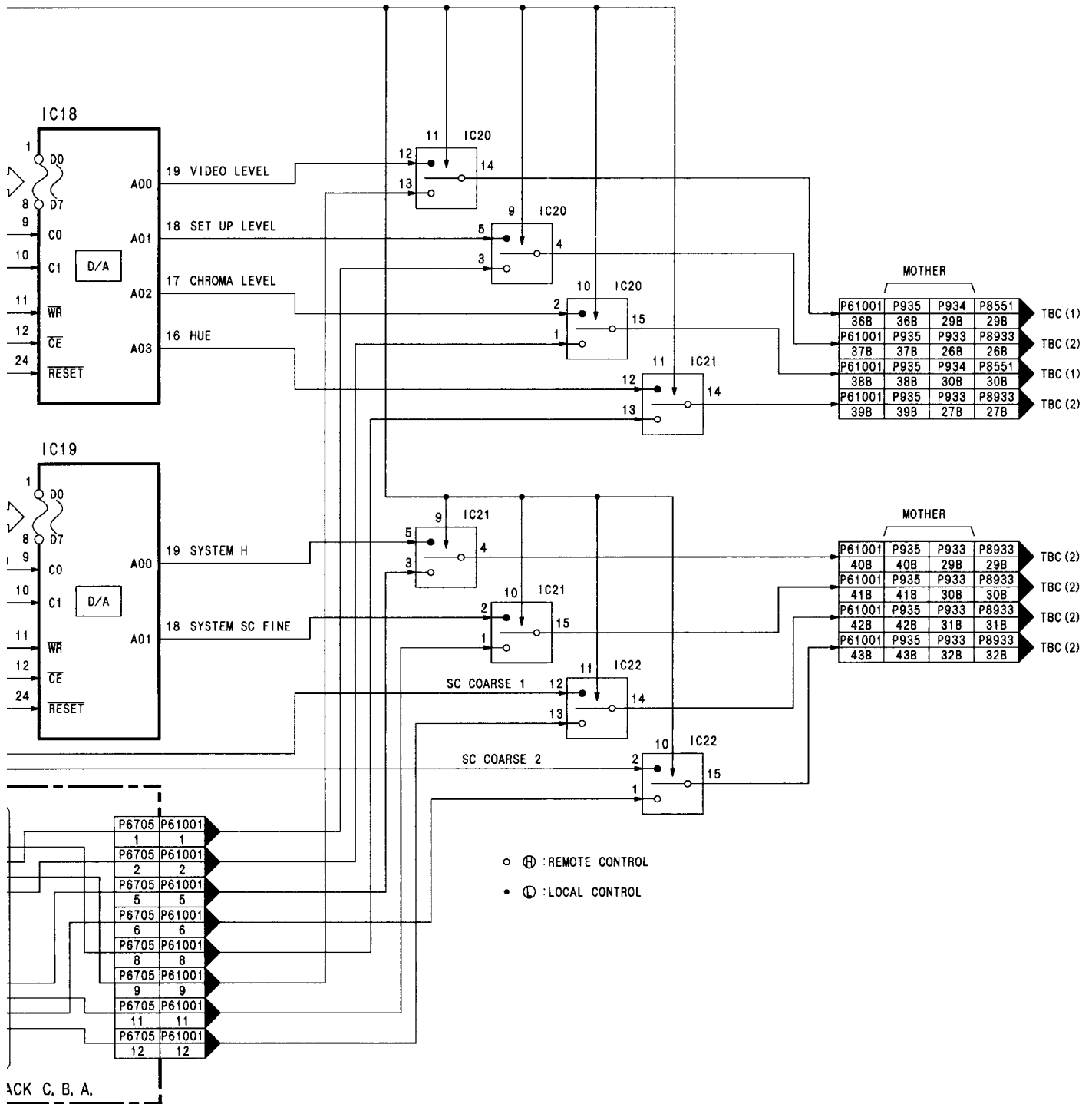
- ▶ VIDEO I/O
- TBC (1)
- ▶ FRONT
- SERVO/SYSTEM CTL





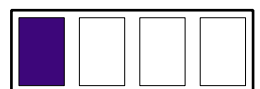
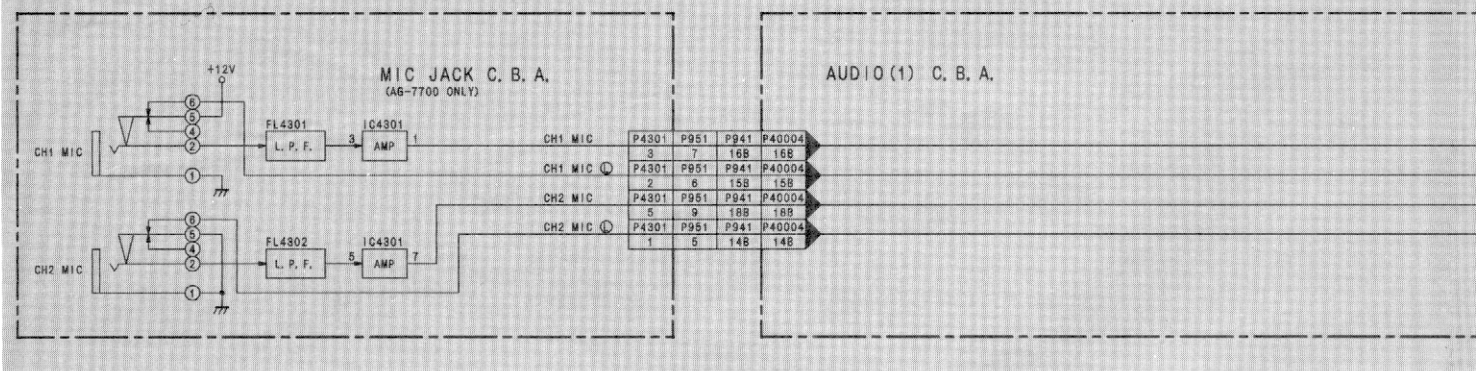
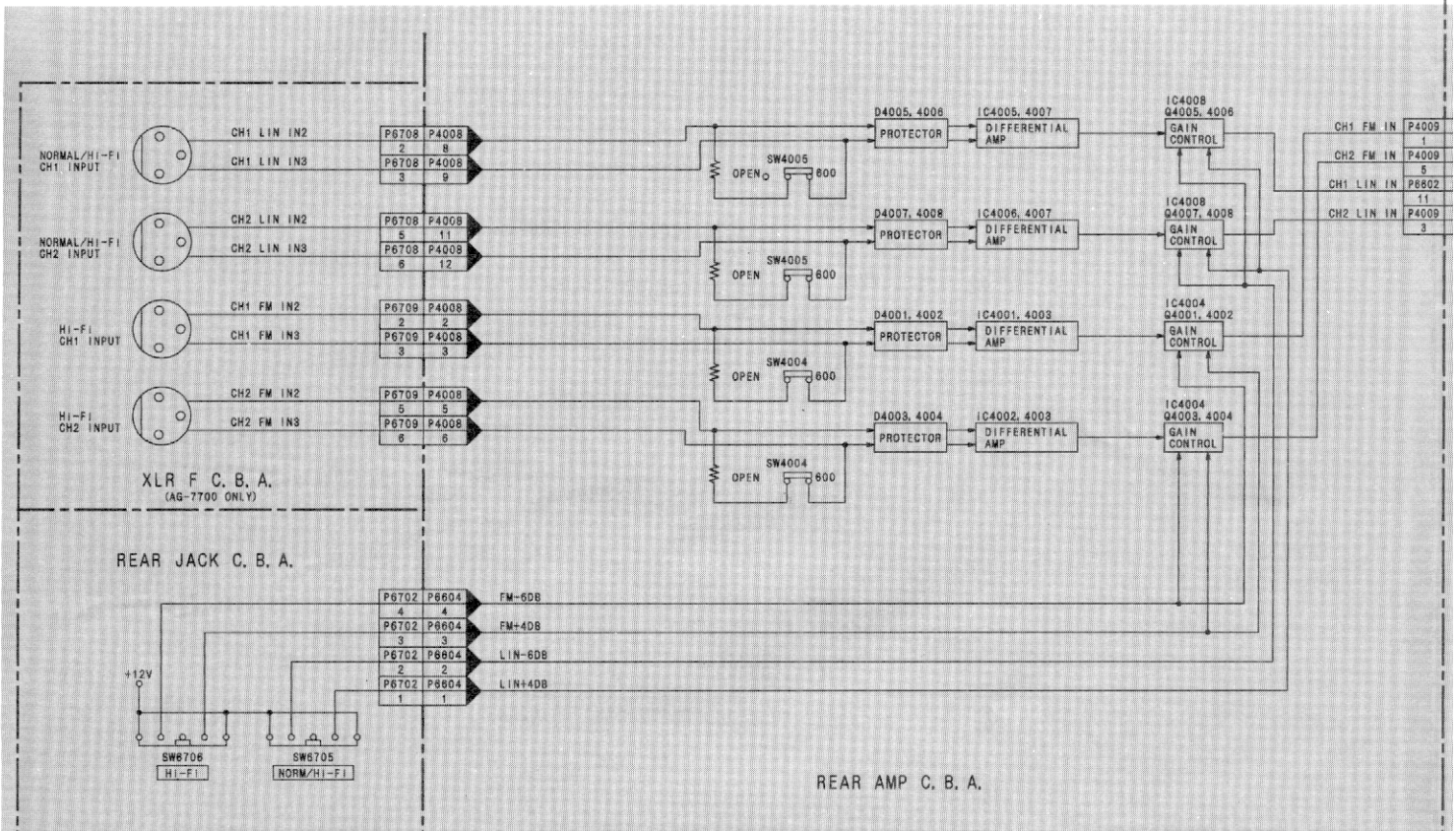
TIME CODE C. B. A.



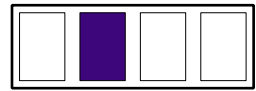
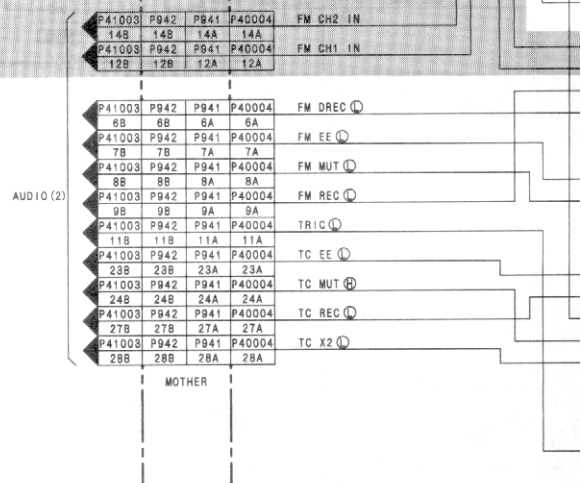
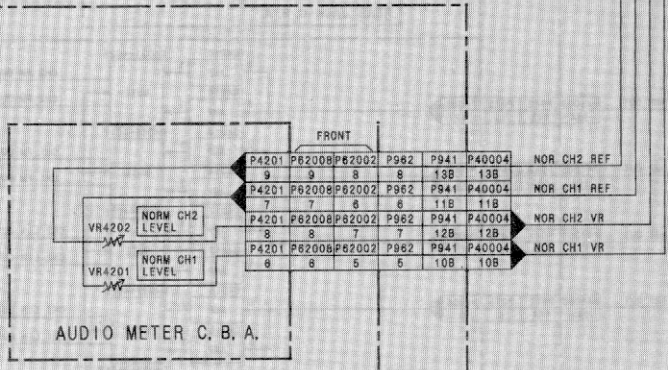
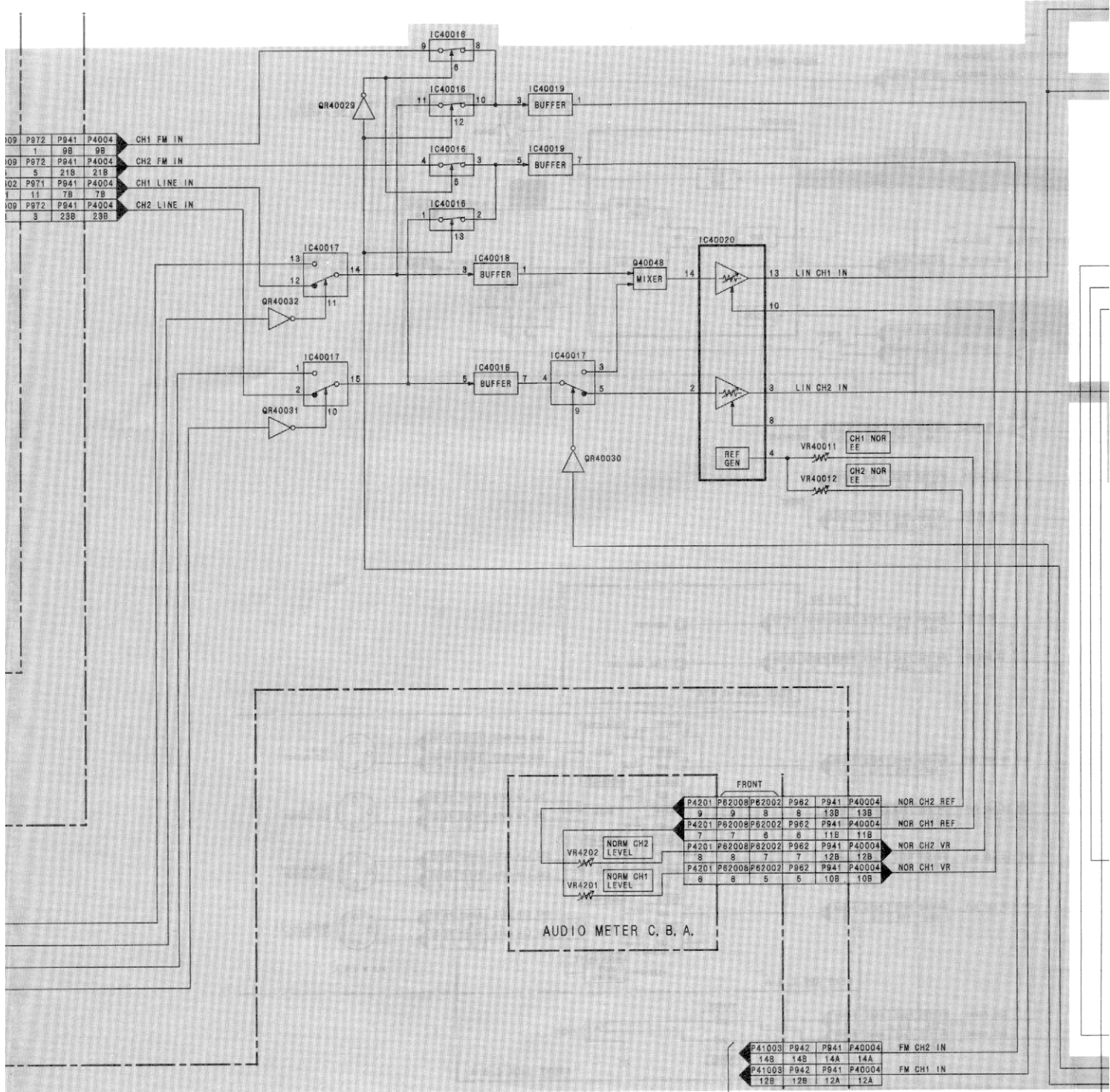




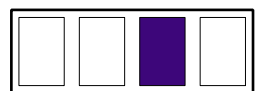
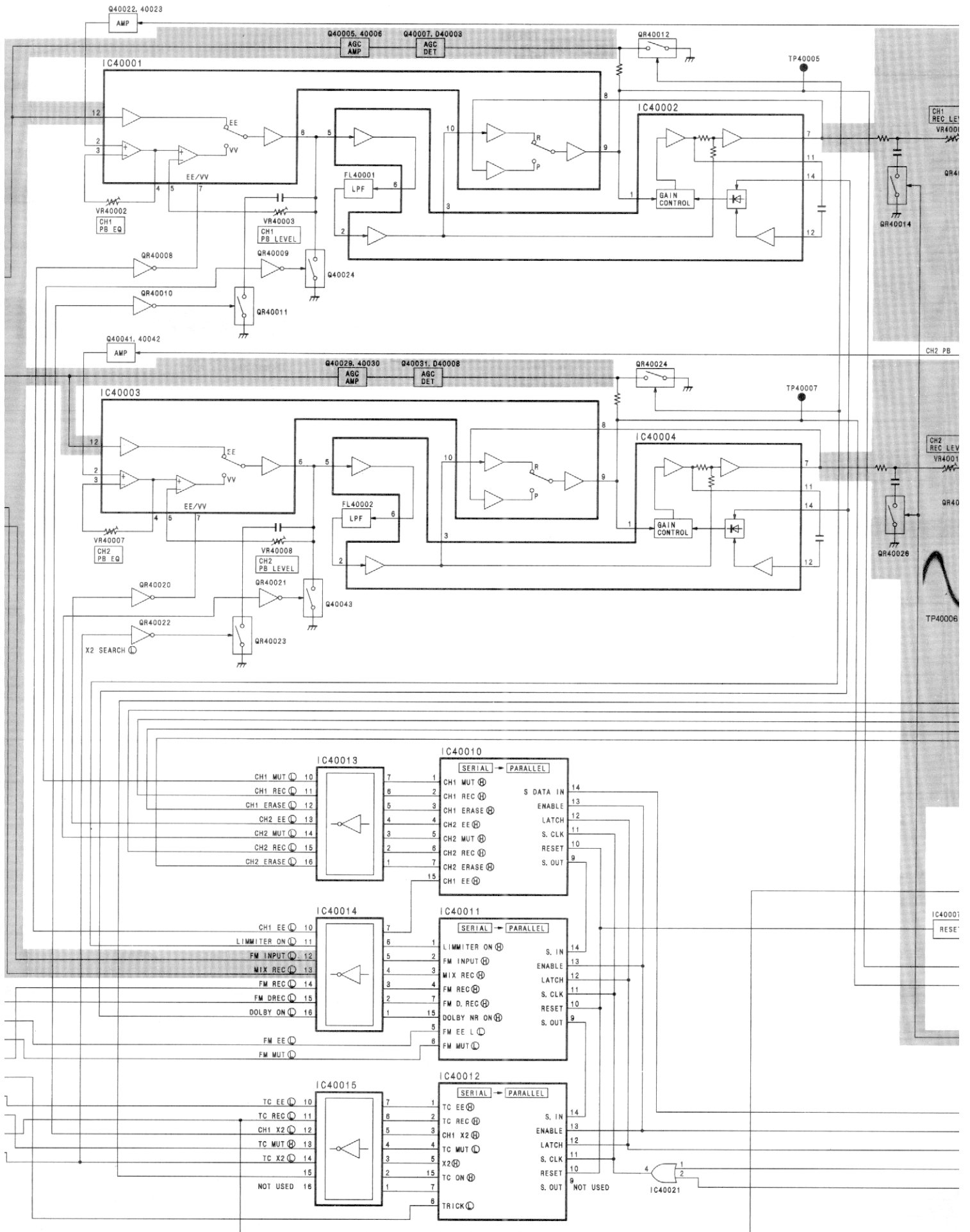
# NORMAL AUDIO BLOCK DIAGRAM

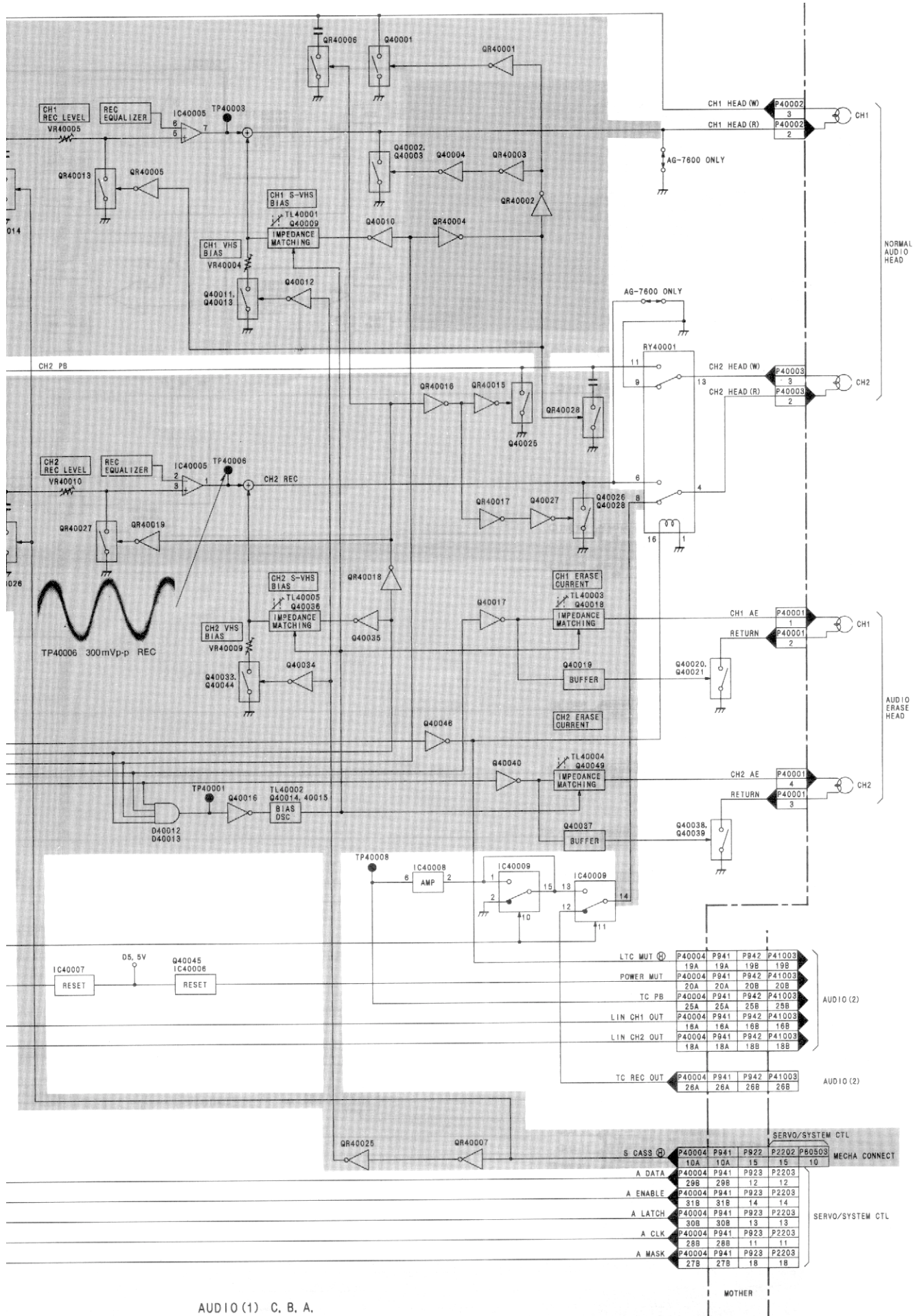




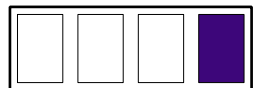






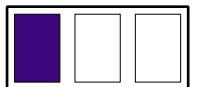
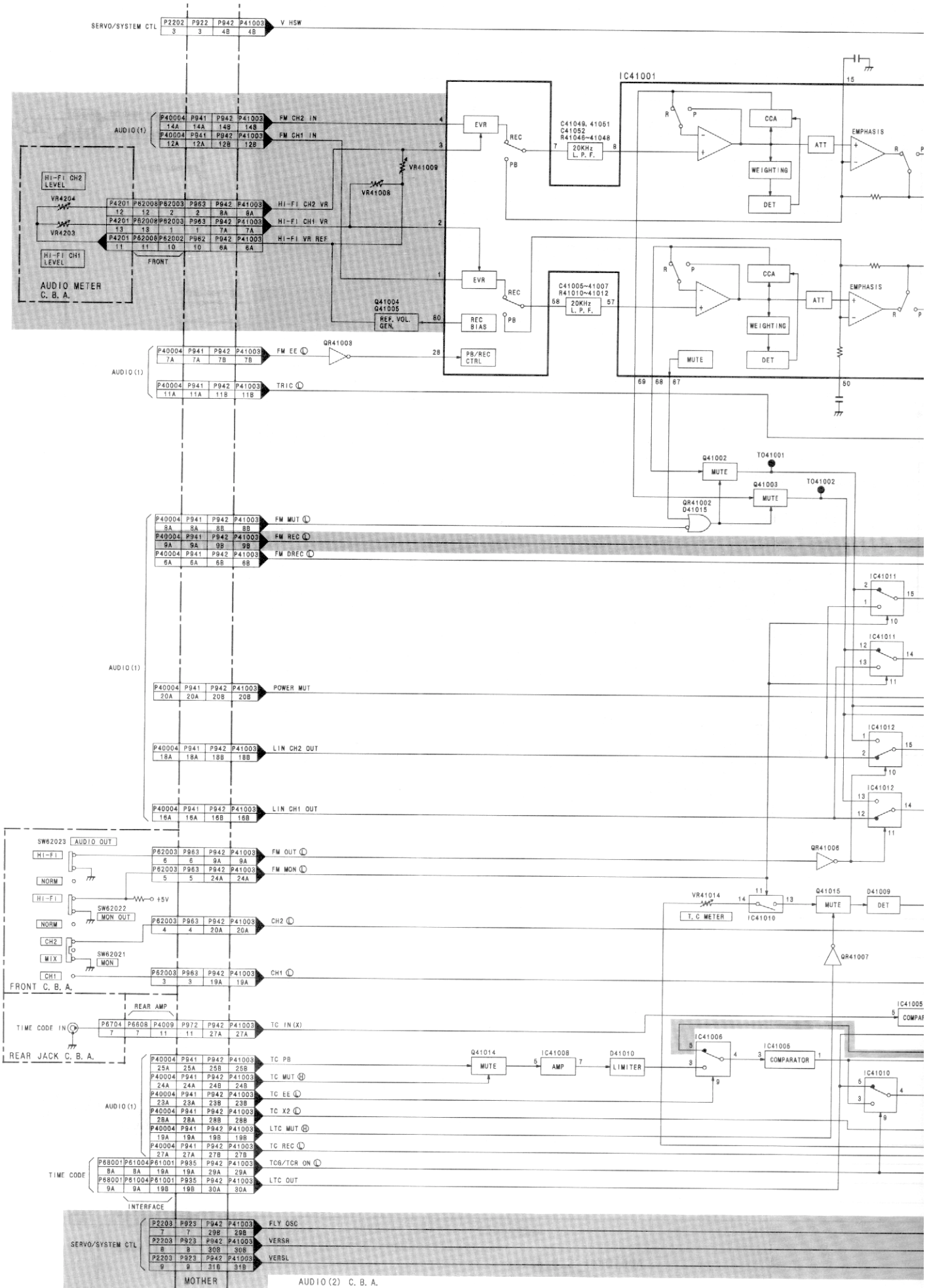


AUDIO (1) C. B. A.

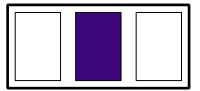
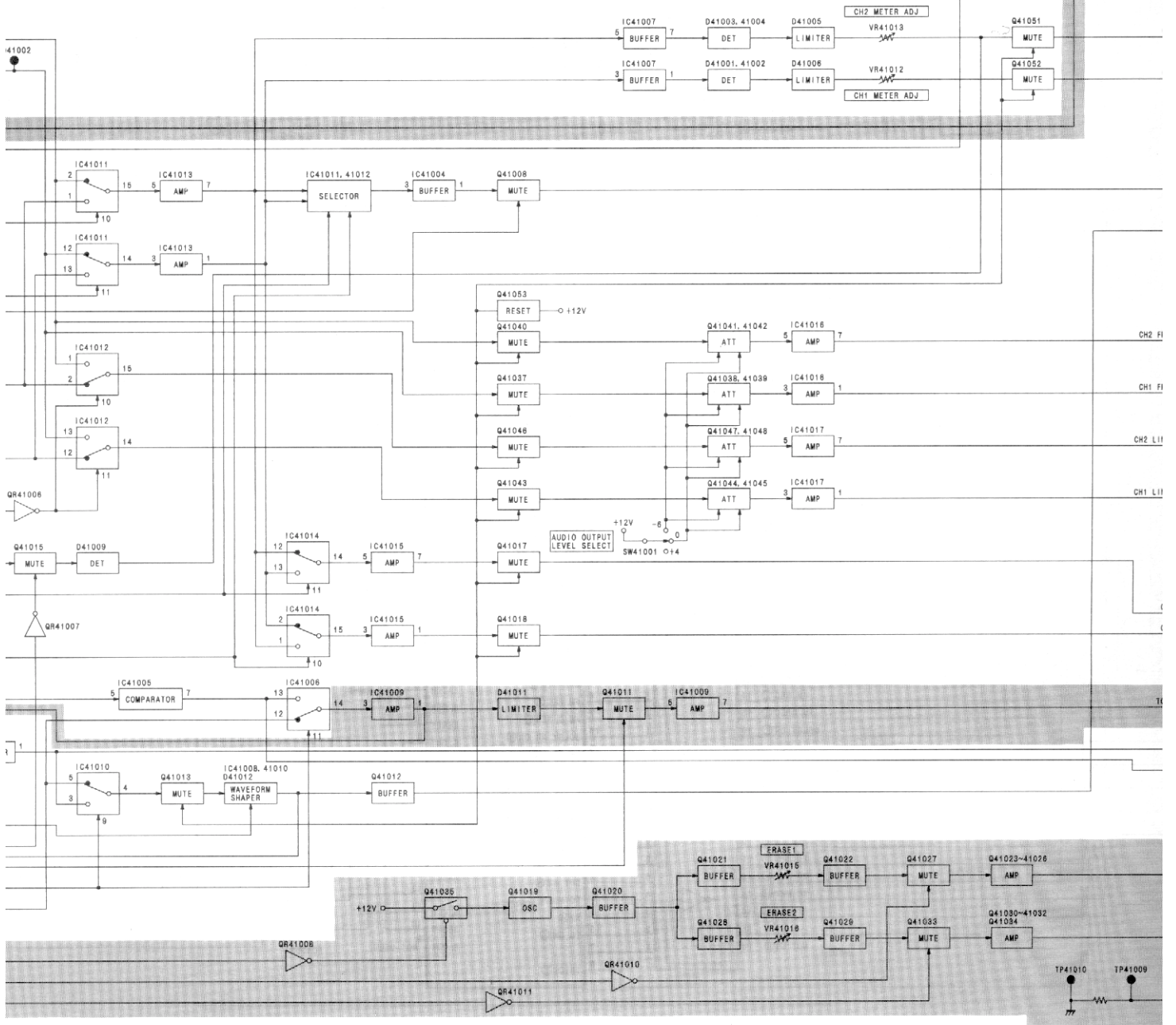
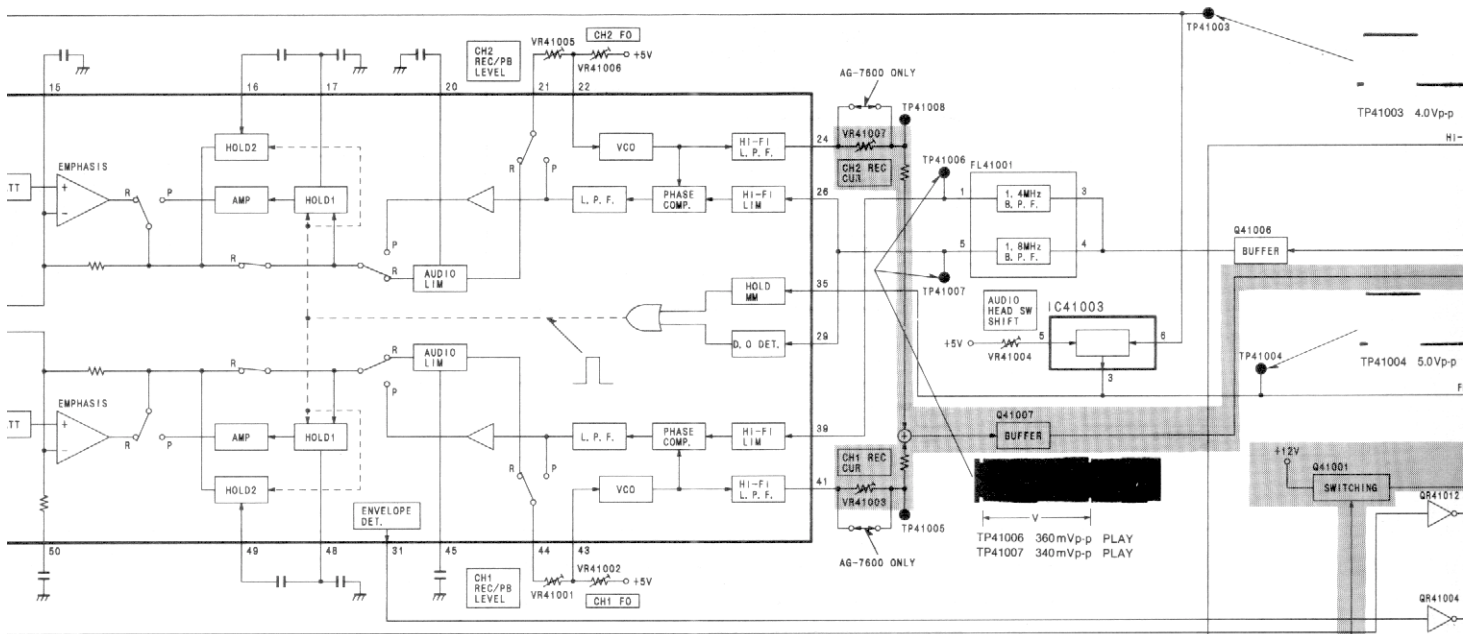


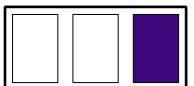
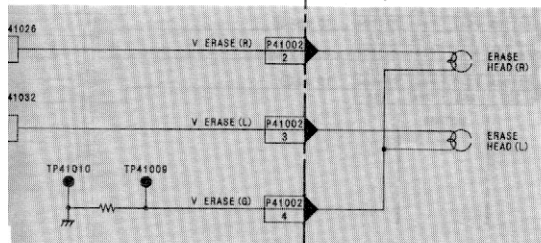
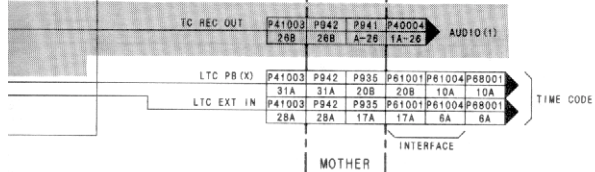
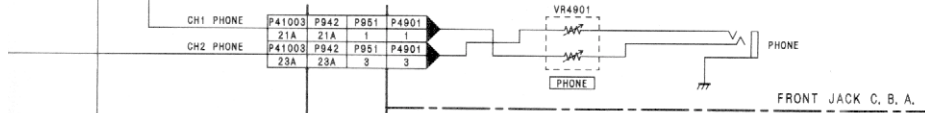
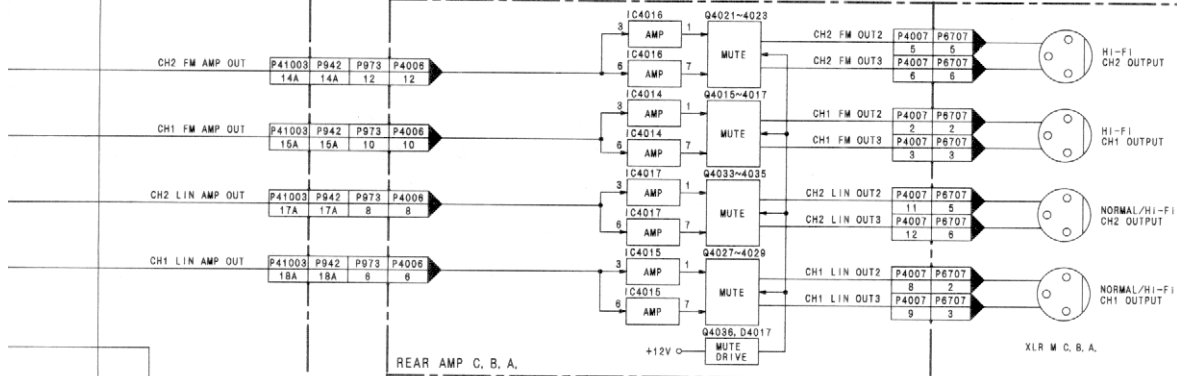
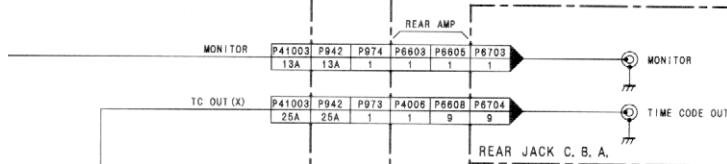
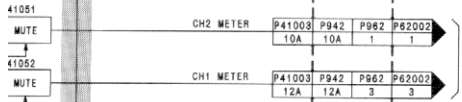
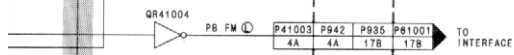
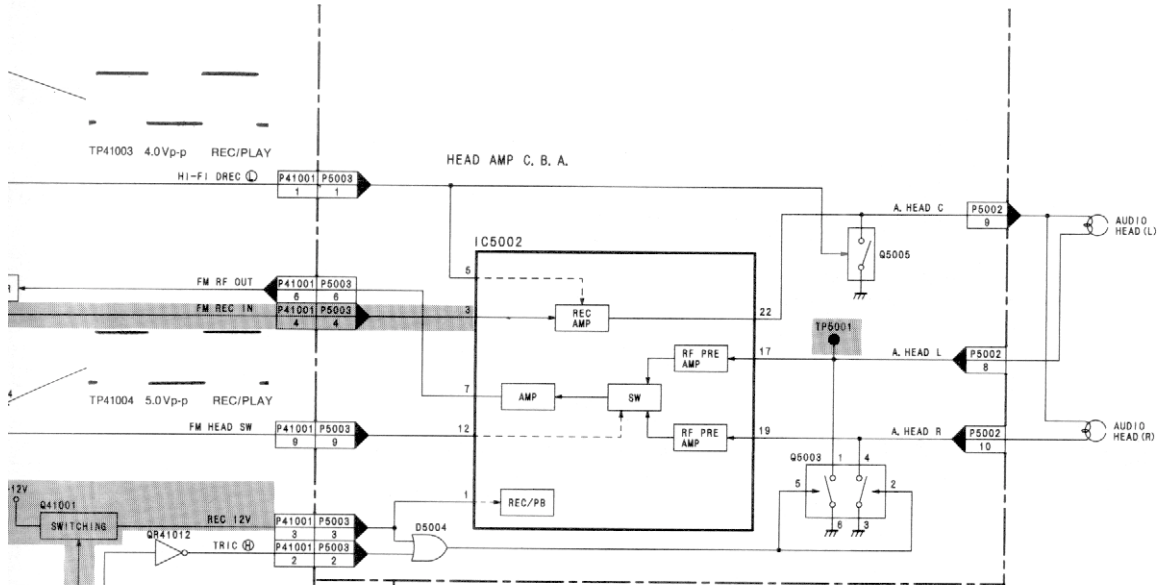


# Hi-Fi AUDIO BLOCK DIAGRAM









## IMPORTANT SAFETY NOTICE

COMPONENTS IDENTIFIED WITH THE MARK  $\triangle$  HAVE THE SPECIAL CHARACTERISTICS FOR SAFETY.

WHEN REPLACING ANY OF THESE COMPONENTS, USE ONLY THE SAME TYPE.

## NOTE

DO NOT USE THE PART NUMBER SHOWN ON THIS DRAWING FOR ORDERING. THE CORRECT PART NUMBER IS SHOWN IN THE PARTS LIST. AND MAY BE SLIGHTLY DIFFERENT OR AMENDED SINCE THIS DRAWING WAS PREPARED.

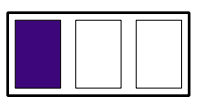
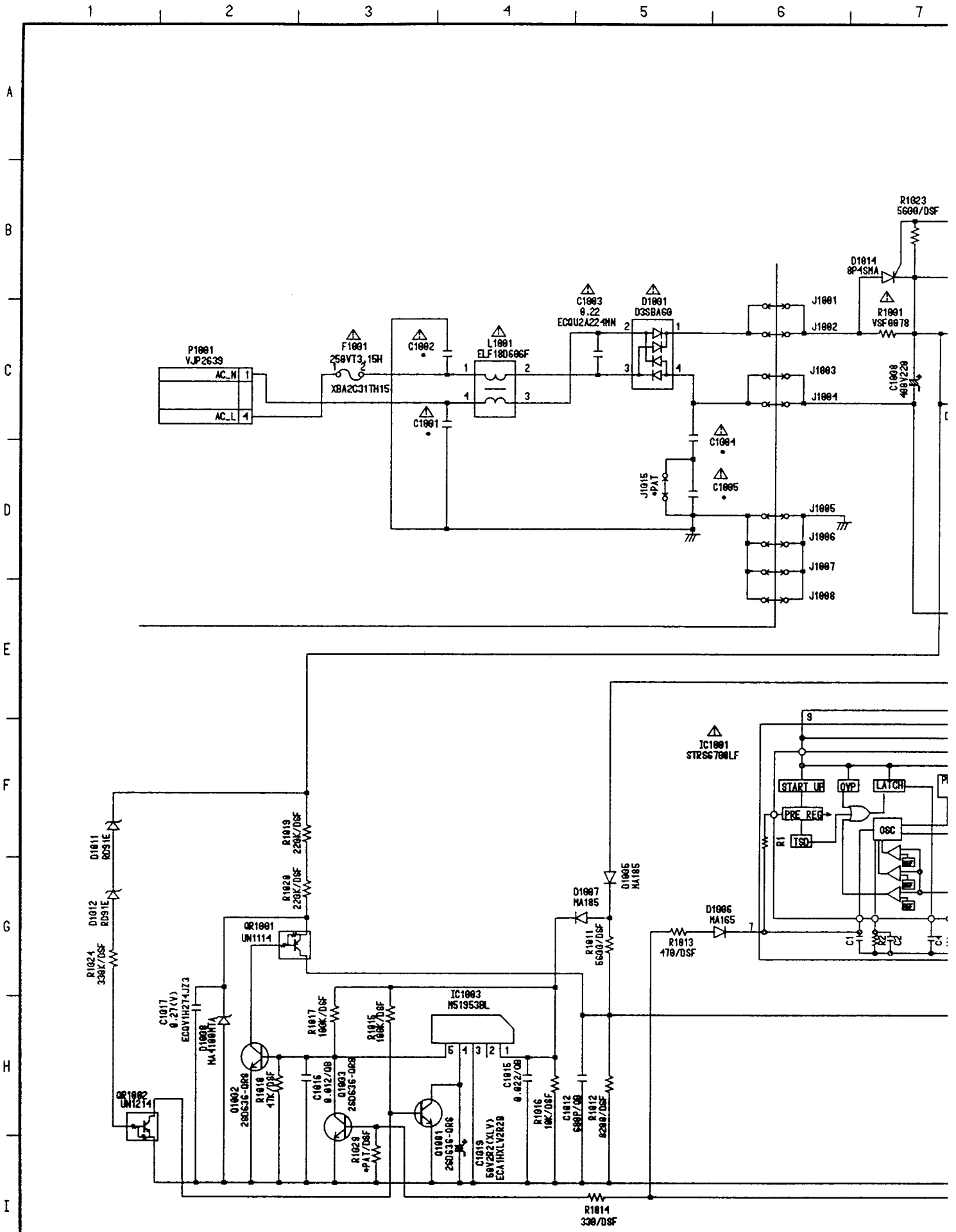
## GENERAL COMPARISON CHART

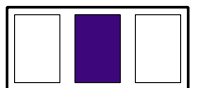
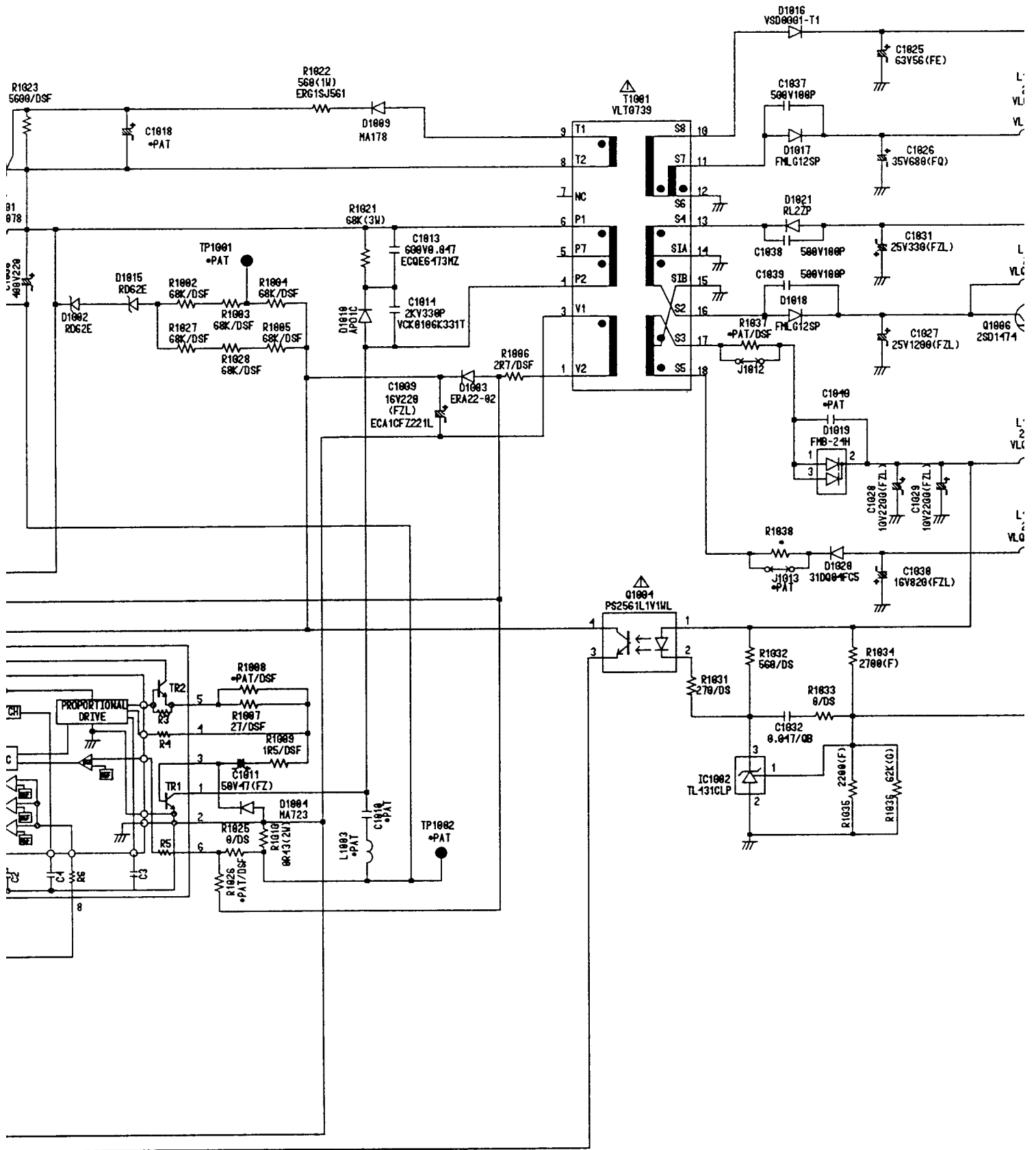
SCHEMATIC DIAGRAM	AG-7700 /7600	REMARK
POWER SCHEMATIC DIAGRAM 1/1 (E1)	SCM-5	CHANGED (See Page : SCM-7 )
POWER CONNECT SCHEMATIC DIAGRAM 1/1 (E32)	SCM-5	COMMON (See AG-7700/ 7600 S/ M )
SYSTEM CONTROL SCHEMATIC DIAGRAM 1/11 (E3)	SCM-7	CHANGED (See Page : SCM-9 )
SUB SYSTEM CONTROL SCHEMATIC DIAGRAM 2/11 (E3)	SCM-6	CHANGED (See Page : SCM-8 )
REEL SERVO SCHEMATIC DIAGRAM 3/11 (E3)	SCM-9	CHANGED (See Page : SCM-11 )
CYL SERVO SCHEMATIC DIAGRAM 4/11 (E3)	SCM-8	CHANGED (See Page : SCM-10 )
CTL AMP SCHEMATIC DIAGRAM 5/11 (E3)	SCM-10	CHANGED (See Page : SCM-12 )
WIDE SCHEMATIC DIAGRAM 6/11 (E3)	SCM-11	CHANGED (See Page : SCM-13 )
CAPSTAN SERVO-1 SCHEMATIC DIAGRAM 7/11 (E3)	SCM-11	CHANGED (See Page : SCM-13 )
CAPSTAN SERVO-2 SCHEMATIC DIAGRAM 8/11 (E3)	SCM-12	CHANGED (See Page : SCM-14 )
MOTOR DRIVE-1 SCHEMATIC DIAGRAM 9/11 (E3)	SCM-12	CHANGED (See Page : SCM-14 )
MOTOR DRIVE-2 SCHEMATIC DIAGRAM 10/11 (E3)	SCM-13	CHANGED (See Page : SCM-15 )
SUB POWER SCHEMATIC DIAGRAM 11/11 (E3)	SCM-14	CHANGED (See Page : SCM-16 )
VIDEO I/ O-1 SCHEMATIC DIAGRAM 1/7 (E5)	SCM-15	CHANGED (See Page : SCM-17 )
VIDEO I/ O-2 SCHEMATIC DIAGRAM 2/7 (E5)	SCM-17	CHANGED (See Page : SCM-19 )
VIDEO I/ O-3 SCHEMATIC DIAGRAM 3/7 (E5)	SCM-16	CHANGED (See Page : SCM-18 )
VIDEO I/ O-4 SCHEMATIC DIAGRAM 4/7 (E5)	SCM-18	CHANGED (See Page : SCM-20 )
VIDEO I/ O-5 SCHEMATIC DIAGRAM 5/7 (E5)	SCM-19	CHANGED (See Page : SCM-21 )
VIDEO I/ O-6 SCHEMATIC DIAGRAM 6/7 (E5)	SCM-20	CHANGED (See Page : SCM-22 )
VIDEO I/ O COMPARISON CHART 7/7 (E5)	SCM-20	CHANGED (See Page : SCM-22 )
XLR M SCHEMATIC DIAGRAM 1/1 (E30)	SCM-20	COMMON (See AG-7700/ 7600 S/ M )
XLR F SCHEMATIC DIAGRAM 1/1 (E31:AG-8700 ONLY)	SCM-20	COMMON (See AG-7700/ 7600 S/ M )
VIDEO YC-1 SCHEMATIC DIAGRAM 1/6 (E6)	SCM-21	CHANGED (See Page : SCM-23 )
VIDEO YC-2 SCHEMATIC DIAGRAM 2/6 (E6)	SCM-22	CHANGED (See Page : SCM-24 )
VIDEO YC-3 SCHEMATIC DIAGRAM 3/6 (E6)	SCM-23	CHANGED (See Page : SCM-25 )
VIDEO YC-4 SCHEMATIC DIAGRAM 4/6 (E6)	SCM-24	CHANGED (See Page : SCM-26 )
VIDEO YC-5 SCHEMATIC DIAGRAM 5/6 (E6)	SCM-25	CHANGED (See Page : SCM-27 )
VIDEO YC COMPARISON CHART 6/6 (E6)	SCM-24	CHANGED (See Page : SCM-26 )
YC REC-1 SCHEMATIC DIAGRAM 1/6 (E13:AG-8700 ONLY)	SCM-26	CHANGED (See Page : SCM-28 )
YC REC-2 SCHEMATIC DIAGRAM 2/6 (E13:AG-8700 ONLY)	SCM-25	CHANGED (See Page : SCM-27 )
YC REC-3 SCHEMATIC DIAGRAM 3/6 (E13:AG-8700 ONLY)	SCM-26	CHANGED (See Page : SCM-28 )
YC REC-4 SCHEMATIC DIAGRAM 4/6 (E13:AG-8700 ONLY)	SCM-27	CHANGED (See Page : SCM-29 )
YC REC-5 SCHEMATIC DIAGRAM 5/6 (E13:AG-8700 ONLY)	SCM-28	CHANGED (See Page : SCM-30 )
YC REC-6 SCHEMATIC DIAGRAM 6/6 (E13:AG-8700 ONLY)	SCM-29	CHANGED (See Page : SCM-31 )

SCHEMATIC DIAGRAM	AG-7700 /7600	REMARK
AUDIO (1) LINER (AG-8700) SCHEMATIC DIAGRAM 1/3 (E7)	SCM-29	COMMON (See AG-7700/ 7600 S/ M )
AUDIO (1) CONTROL (AG-8700) SCHEMATIC DIAGRAM 2/3 (E7)	SCM-30	COMMON (See AG-7700/ 7600 S/ M )
AUDIO METER SCHEMATIC DIAGRAM 1/1 (E21)	SCM-30	COMMON (See AG-7700/ 7600 S/ M )
AUDIO (1) INPUT (AG-8700) SCHEMATIC DIAGRAM 3/3 (E7)	SCM-31	COMMON (See AG-7700/ 7600 S/ M )
AUDIO (1) LINER (AG-8600) SCHEMATIC DIAGRAM 1/3 (E7)	SCM-32	COMMON (See AG-7700/ 7600 S/ M )
AUDIO (1) CONTROL (AG-8600) SCHEMATIC DIAGRAM 2/3 (E7)	SCM-33	COMMON (See AG-7700/ 7600 S/ M )
AUDIO (1) INPUT (AG-8600) SCHEMATIC DIAGRAM 3/3 (E7)	SCM-34	COMMON (See AG-7700/ 7600 S/ M )
AUDIO (2) PHONE OUT (AG-8700) SCHEMATIC DIAGRAM 3/5 (E8)	SCM-34	COMMON (See AG-7700/ 7600 S/ M )
AUDIO (2) FM AUDIO (AG-8700) SCHEMATIC DIAGRAM 1/5 (E8)	SCM-35	COMMON (See AG-7700/ 7600 S/ M )
AUDIO (2) TC (AG-8700) SCHEMATIC DIAGRAM 2/5 (E8)	SCM-36	COMMON (See AG-7700/ 7600 S/ M )
AUDIO (2) FLYING ERACE (AG-8700) SCHEMATIC DIAGRAM 4/5 (E8)	SCM-37	COMMON (See AG-7700/ 7600 S/ M )
AUDIO (2) OUTPUT (AG-8700) SCHEMATIC DIAGRAM 5/5 (E8)	SCM-38	COMMON (See AG-7700/ 7600 S/ M )
AUDIO (2) FM AUDIO (AG-8600) SCHEMATIC DIAGRAM 1/4 (E8)	SCM-39	COMMON (See AG-7700/ 7600 S/ M )
AUDIO (2) TC (AG-8600) SCHEMATIC DIAGRAM 2/4 (E8)	SCM-40	COMMON (See AG-7700/ 7600 S/ M )
AUDIO (2) PHONE OUT (AG-8600) SCHEMATIC DIAGRAM 3/4 (E8)	SCM-41	COMMON (See AG-7700/ 7600 S/ M )
AUDIO (2) OUTPUT (AG-8600) SCHEMATIC DIAGRAM 4/4 (E8)	SCM-41	COMMON (See AG-7700/ 7600 S/ M )
INTERFACE-1 SCHEMATIC DIAGRAM 1/6 (E9)	SCM-42	CHANGED (See Page : SCM-31 )
INTERFACE-2 SCHEMATIC DIAGRAM 2/6 (E9)	SCM-42	CHANGED (See Page : SCM-32 )
INTERFACE-3 SCHEMATIC DIAGRAM 3/6 (E9)	SCM-43	CHANGED (See Page : SCM-32 )
INTERFACE-4 SCHEMATIC DIAGRAM 4/6 (E9)	SCM-43	CHANGED (See Page : SCM-33 )
INTERFACE-5 SCHEMATIC DIAGRAM 5/6 (E9)	SCM-43	CHANGED (See Page : SCM-33 )
INTERFACE COMPARISON CHART 6/6 (E9)	SCM-43	CHANGED (See Page : SCM-33 )
TIME CODE-1 SCHEMATIC DIAGRAM 1/3 (E10)	SCM-44	COMMON (See AG-7700/ 7600 S/ M )
TIME CODE COMPARISON CHART 3/3 (E10)	SCM-44	COMMON (See AG-7700/ 7600 S/ M )
TIME CODE-2 SCHEMATIC DIAGRAM 2/3 (E10)	SCM-44	COMMON (See AG-7700/ 7600 S/ M )
REEL DRIVE SCHEMATIC DIAGRAM 1/1 (E14)	SCM-45	COMMON (See AG-7700/ 7600 S/ M )
HEAD AMP SCHEMATIC DIAGRAM 1/1 (E15)	SCM-46	CHANGED (See Page : SCM-34 )
FRONT-1 SCHEMATIC DIAGRAM 1/4 (E16)	SCM-47	CHANGED (See Page : SCM-35 )
FRONT-2 SCHEMATIC DIAGRAM 2/4 (E16)	SCM-47	CHANGED (See Page : SCM-34 )
FRONT-3 SCHEMATIC DIAGRAM 3/4 (E16)	SCM-48	CHANGED (See Page : SCM-35 )
FRONT COMPARISON CHART 4/4 (E16)	SCM-48	CHANGED (See Page : SCM-35 )
FRONT LED SCHEMATIC DIAGRAM 1/2 (E17:AG-8700 ONLY)	SCM-48	COMMON (See AG-7700/ 7600 S/ M )
FRONT LED COMPARISON CHART 2/2 (E17:AG8700 ONLY)	SCM-48	COMMON (See AG-7700/ 7600 S/ M )
KEYBOARD SCHEMATIC DIAGRAM 1/2 (E18)	SCM-48	COMMON (See AG-7700/ 7600 S/ M )
KEYBOARD COMPARISON CHART 2/2 (E18)	SCM-48	COMMON (See AG-7700/ 7600 S/ M )
REAR AMP VIDEO SCHEMATIC DIAGRAM 1/4 (E28)	SCM-49	CHANGED (See Page : SCM-48 )
REAR AMP AUDIO IN SCHEMATIC DIAGRAM 2/4 (E28)	SCM-49	CHANGED (See Page : SCM-49 )
REAR AMP AUDIO OUT SCHEMATIC DIAGRAM 3/4 (E28)	SCM-50	CHANGED (See Page : SCM-50 )
REAR AMP COMPARISON CHART 4/4 (E28)	SCM-50	CHANGED (See Page : SCM-51 )
REAR JACK SCHEMATIC DIAGRAM 1/2 (E29)	SCM-51	CHANGED (See Page : SCM-52 )
REAR JACK COMPARISON CHART 2/2 (E29)	SCM-51	CHANGED (See Page : SCM-52 )
9PIN CONNECT SCHEMATIC DIAGRAM 1/1 (E33)	SCM-51	COMMON (See AG-7700/ 7600 S/ M )
MIC JACK SCHEMATIC DIAGRAM 1/1 (E20:AG-8700 ONLY)	SCM-52	COMMON (See AG-7700/ 7600 S/ M )
FRONT JACK SCHEMATIC DIAGRAM 1/2 (E19)	SCM-52	COMMON (See AG-7700/ 7600 S/ M )
FRONT JACK COMPARISON CHART 2/2 (E19)	SCM-52	COMMON (See AG-7700/ 7600 S/ M )
MOTHER SCHEMATIC DIAGRAM 1/1 (E4)	SCM-53	CHANGED (See Page : SCM-53 )
INTERCONNECTION SCHEMATIC DIAGRAM	SCM-54	CHANGED (See Page : SCM-54 )

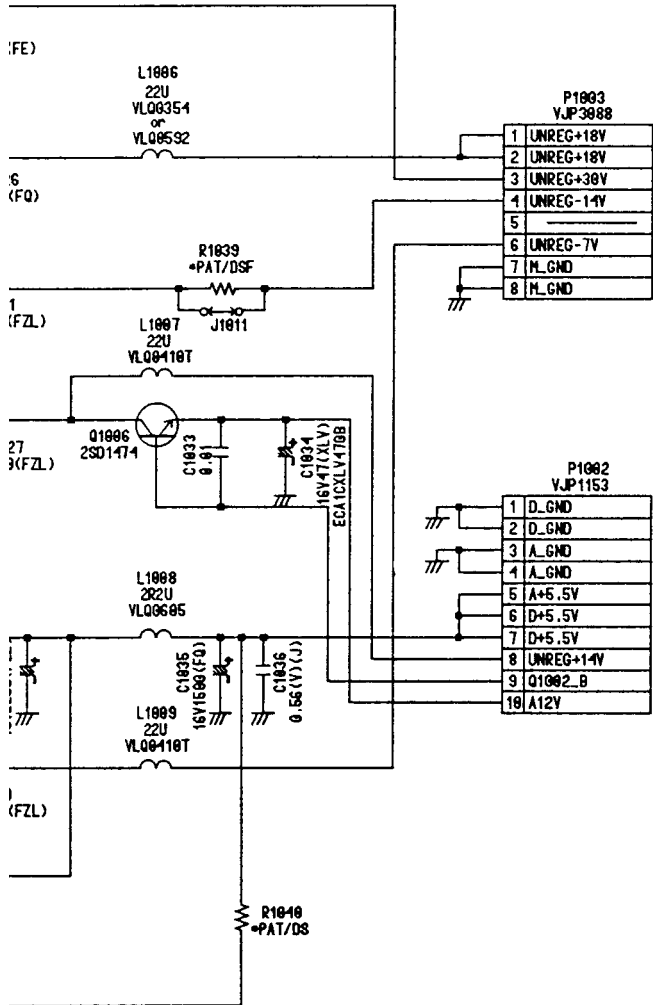
SCHEMATIC DIAGRAM	AG-7700 /7600	REMARK
Y MEMORY SCHEMATIC DIAGRAM 1/9 (E11)	—	ADDED (See Page : SCM-36 )
PB SYNC. SEP. SCHEMATIC DIAGRAM 2/9 (E11)	—	ADDED (See Page : SCM-37 )
WRITE PLL SCHEMATIC DIAGRAM 3/9 (E11)	—	ADDED (See Page : SCM-38 )
CLAMP & AMP SCHEMATIC DIAGRAM 4/9 (E11)	—	ADDED (See Page : SCM-39 )
C MEMORY SCHEMATIC DIAGRAM 5/9 (E11)	—	ADDED (See Page : SCM-40 )
G.A. BLOCK SCHEMATIC DIAGRAM 6/9 (E11)	—	ADDED (See Page : SCM-41 )
READ CLK GEN. SCHEMATIC DIAGRAM 7/9 (E11)	—	ADDED (See Page : SCM-42 )
TBC (1) CONNECTION SCHEMATIC DIAGRAM 8/9 (E11)	—	ADDED (See Page : SCM-43 )
TBC (1) COMPARISON CHART 9/9 (E11)	—	ADDED (See Page : SCM-43 )
SYSNC GEN-1 SCHEMATIC DIAGRAM 1/6 (E12)	—	ADDED (See Page : SCM-44 )
SYSNC GEN-2 SCHEMATIC DIAGRAM 2/6 (E12)	—	ADDED (See Page : SCM-45 )
SYSNC GEN-3 SCHEMATIC DIAGRAM 3/6 (E12)	—	ADDED (See Page : SCM-46 )
ENCODER SCHEMATIC DIAGRAM 4/6 (E12)	—	ADDED (See Page : SCM-47 )
TBC (2) CONNECTION SCHEMATIC DIAGRAM 5/6 (E12)	—	ADDED (See Page : SCM-47 )
TBC (2) COMPARISON CHART 6/6 (E12)	—	ADDED (See Page : SCM-48 )

# POWER SCHEMATIC DIAGRAM (E1: Page CBA-3)









\$REF\$	AG-8700	AG-8600
C1001	VCK0260M332	VCK0260M332
C1002	VCK0260M332	VCK0260M332
C1004	VCK0260M102	VCK0260M102
C1005	VCK0260M102	VCK0260M102
C1010	*PAT	*PAT
C1018	*PAT	*PAT
C1040	*PAT	*PAT
J1013	*PAT	*PAT
J1015	*PAT	*PAT
L1003	*PAT	*PAT
R1008	*PAT/DSF	*PAT/DSF
R1026	*PAT/DSF	*PAT/DSF
R1029	*PAT/DSF	*PAT/DSF
R1037	*PAT/DSF	*PAT/DSF
R1038	ERX3SJR82P	ERX3SJR82P
R1039	*PAT/DSF	*PAT/DSF
R1040	*PAT/DS	*PAT/DS
TP1001	*PAT	*PAT
TP1002	*PAT	*PAT

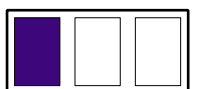
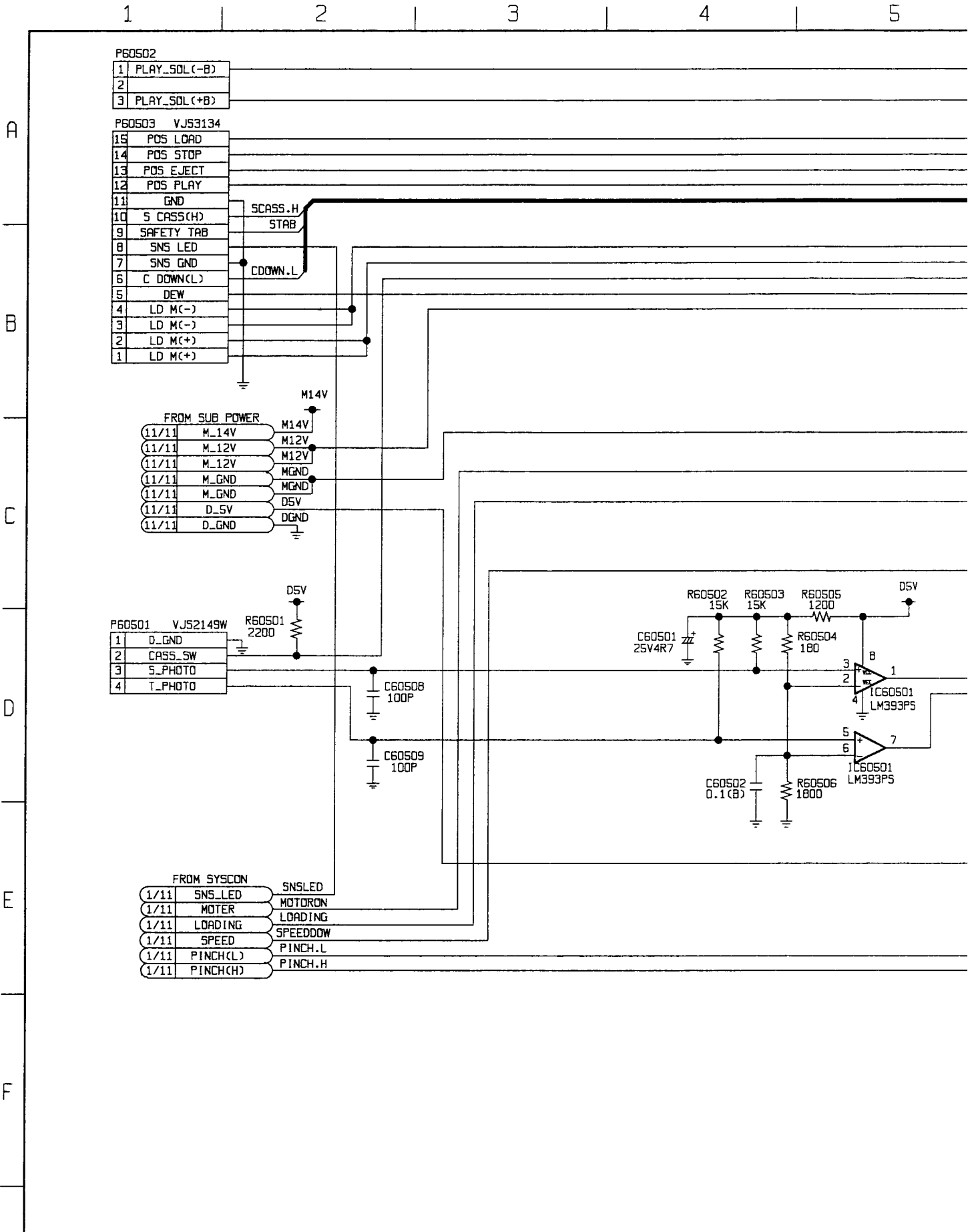
**POWER DC VOLTAGE CHART**

REF. NO.	IC1001								
MODE	1	2	3	4	5	6	7	8	9
STOP	-	0	0	0.3	0.9	-0.1	0.2	1.3	7.5
REC	-	0	0	0.3	0.9	-0.1	0.2	1.3	7.5
REF. NO.	IC1002				IC1003				
MODE	K	A	G		1	2	3	4	5
STOP	4.1	0	2.5		8.0	0	0	1.2	0
REC	4.1	0	2.5		8.2	0	0	1.2	0
REF. NO.	Q1001			Q1002			Q1003		
MODE	E	C	B	E	C	B	E	C	B
STOP	0	1.2	0	0	-	0	0	0	0.7
REC	0	1.2	0	0	-	0	0	0	0.7
REF. NO.	Q1004				Q1006				
MODE	1	2	3	4			E	C	B
STOP	5.7	4.6	1.2	7.5			11.9	13.5	12.5
REC	5.7	4.6	1.2	7.5			11.9	13.4	12.5
REF. NO.	QR1001			QR1002					
MODE	E	C	B	E	C	B			
STOP	10.1	1.3	-	0	0	5.1			
REC	10.1	1.3	-	0	0	5.1			

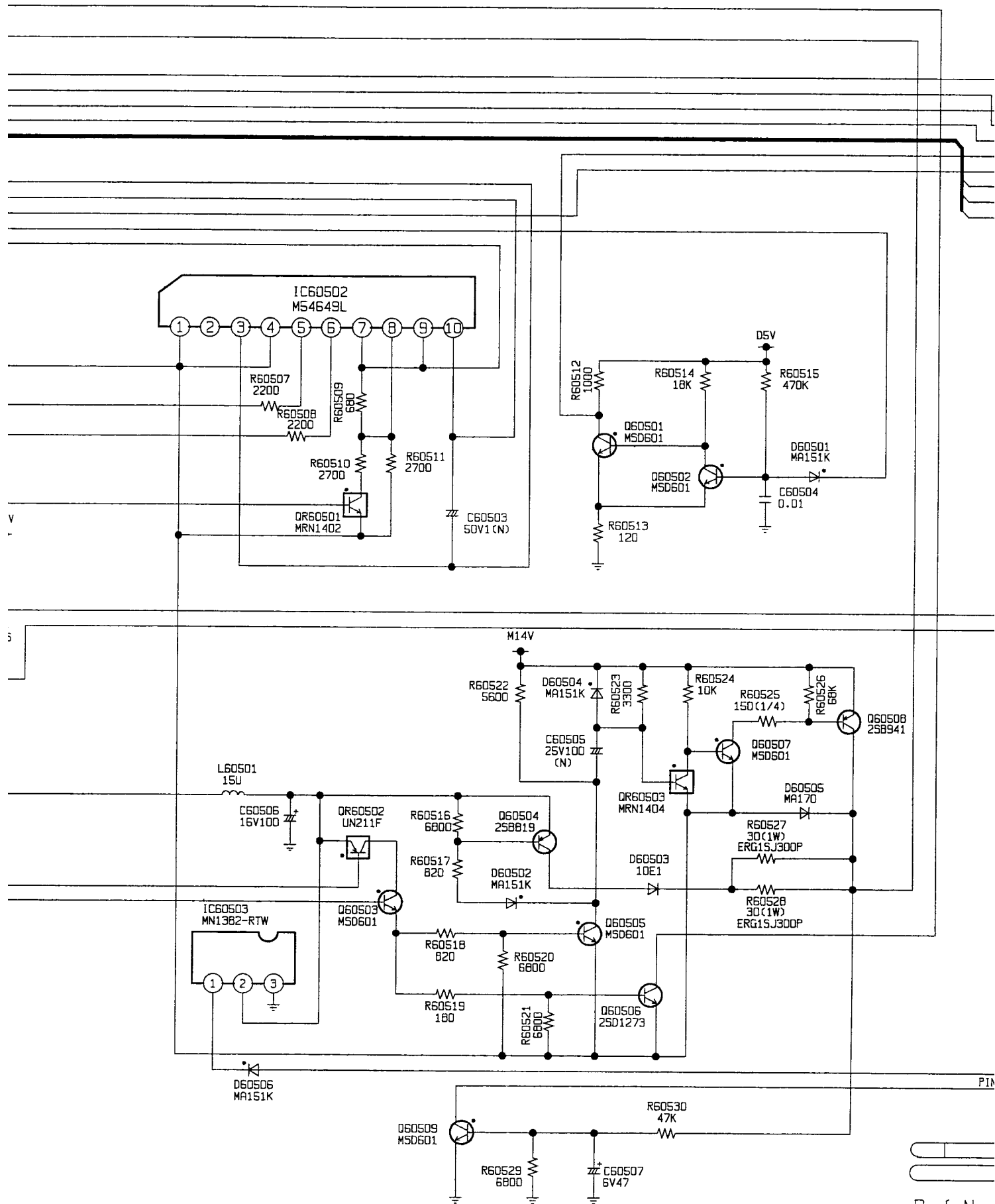
REFER TO THE COMPARISON CHART  
Ref No.1000 Series



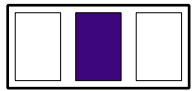
# SUB SYSTEM CONTROL SCHEMATIC DIAGRAM 2/11 (E3: Page CBA-5)

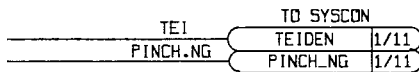
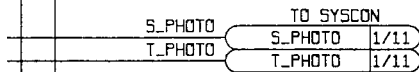
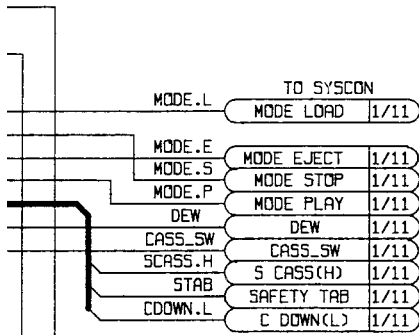


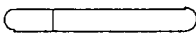
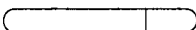




Ref No.





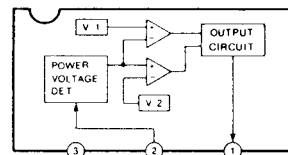
 =INPUT SIGNAL  
 =OUTPUT SIGNAL

Ref No.60500 Series.

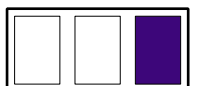
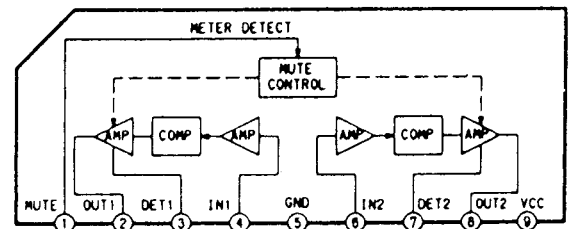
### SUB SYSTEM CONTROL DC VOLTAGE CHART

REF. NO.	IC60501									
MODE	1	2	3	4	5	6	7	8		
STOP	4.9	2.9	3.2	0	3.2	2.9	4.9	5.1		
REC	4.8	2.9	3.2	0	3.2	2.9	4.8	5.1		
F.F.	4.9	2.9	3.2	0	3.2	2.9	4.9	5.2		
REF. NO.	IC60502									
MODE	1	2	3	4	5	6	7	8	9	10
STOP	0	0.2	0.2	0	0	0	12.9	8.4	12.9	0.2
REC	0	0.2	0.2	0	0	0	12.9	8.4	12.9	0.2
F.F.	0	0.2	0.2	0	0	0	12.9	10.3	12.9	0.2
REF. NO.	IC60503									
MODE	V	G	O							
STOP	5.0	0	5.0							
REC	5.0	0	5.0							
F.F.	5.0	0	5.2							
REF. NO.	Q60501			Q60502			Q60503			
MODE	E	C	B	E	C	B	E	C	B	
STOP	0.6	0.6	1.2	0.6	1.2	0.4	4.2	4.8	4.8	
REC	0.6	0.6	1.2	0.6	1.2	0.4	4.2	4.8	4.8	
F.F.	0.6	0.6	1.2	0.6	1.2	0.4	0	0.1	0	
REF. NO.	Q60504			Q60505			Q60506			
MODE	E	C	B	E	C	B	E	C	B	
STOP	5.0	4.8	4.2	0	0	0.8	0	0	0.7	
REC	5.0	4.8	4.2	0	0	0.8	0	0	0.7	
F.F.	5.2	-0.1	4.2	0	14.9	0	0	0	0	
REF. NO.	Q60507			Q60508			Q60509			
MODE	E	C	B	E	C	B	E	C	B	
STOP	0	14.8	0	14.9	1.4	14.8	0	4.9	0.2	
REC	0	14.8	0	14.9	1.4	14.8	0	4.8	0.2	
F.F.	0	14.8	0	14.9	0	14.8	0	4.9	0	
REF. NO.	QR60501			QR60502			QR60503			
MODE	E	C	B	E	C	B	E	C	B	
STOP	0	10.3	0	4.9	4.8	0	0	0	13.9	
REC	0	10.2	0	4.9	4.8	0	0	0	13.9	
F.F.	0	10.2	0	5.2	0	4.9	0	0	13.9	

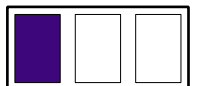
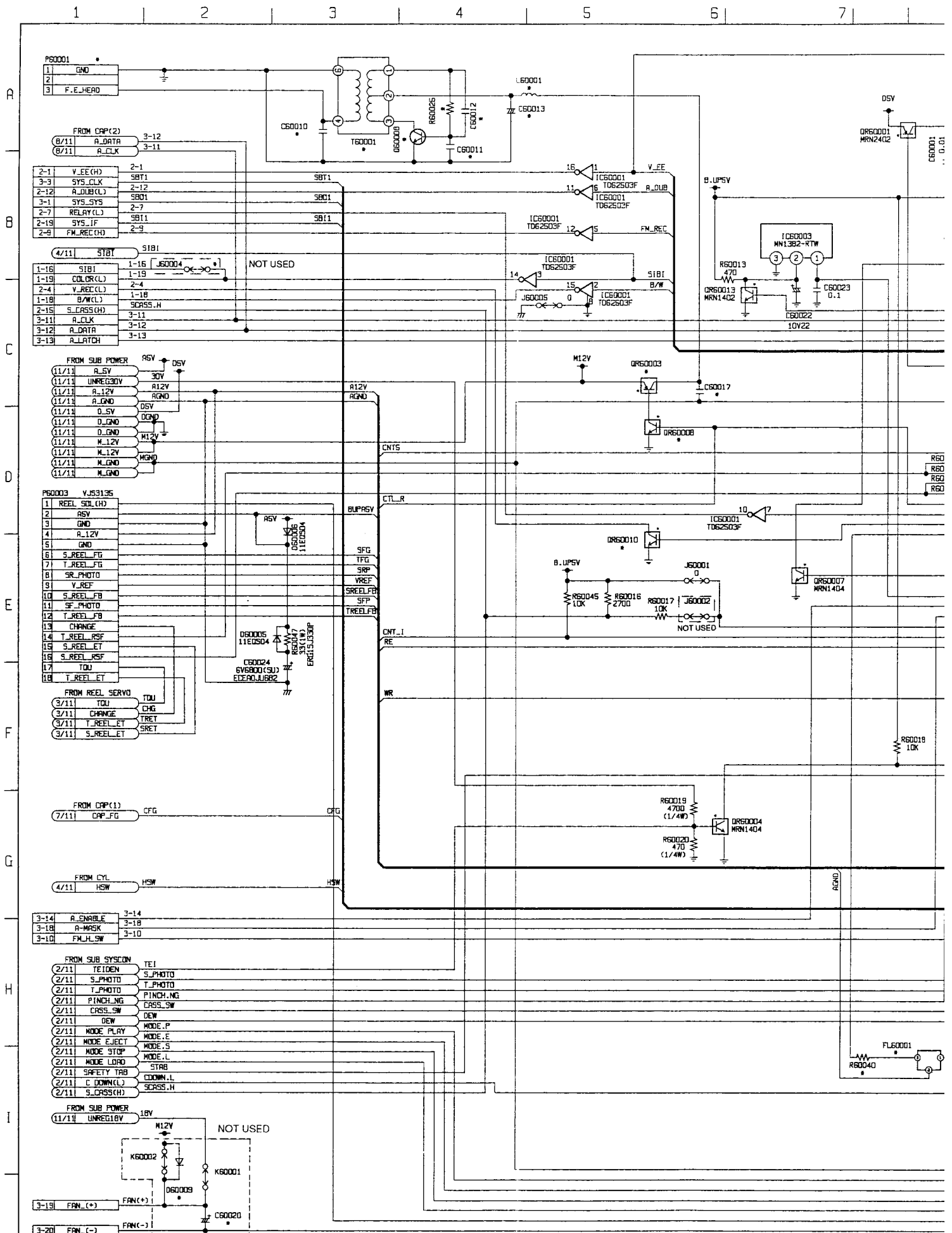
#### IC60503 MN1382-RTW

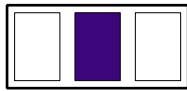
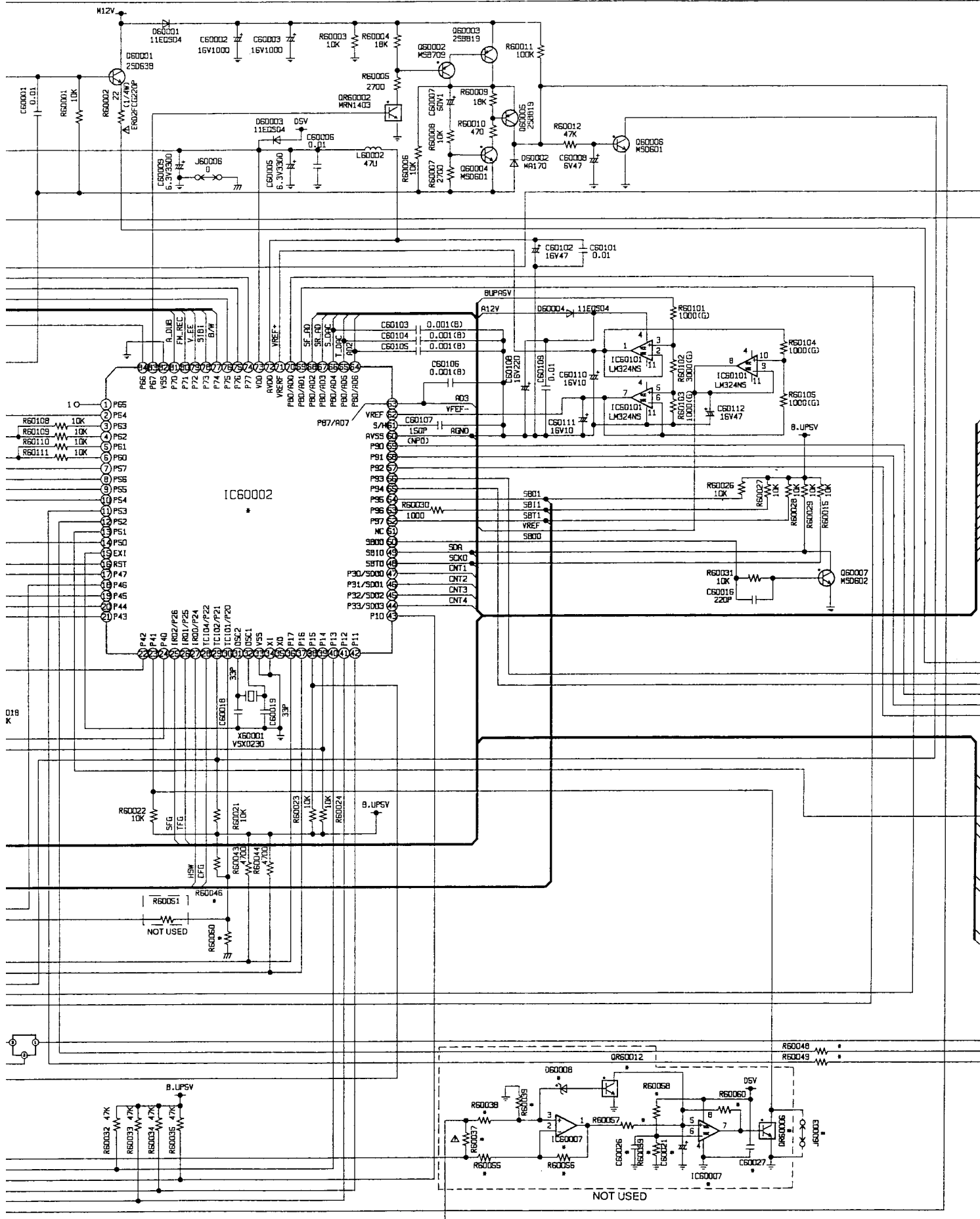


#### IC60502 M54649L



# SYSTEM CONTROL SCHEMATIC DIAGRAM 1/11 (E3: Page CBA-5)

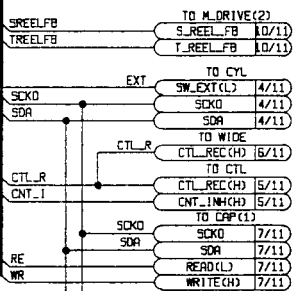
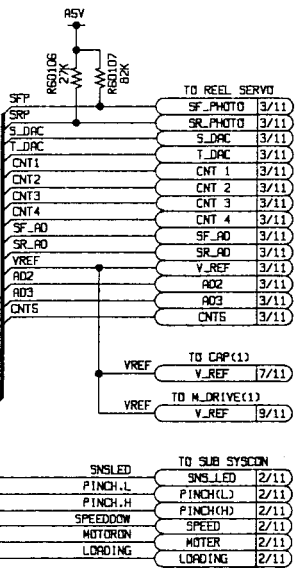




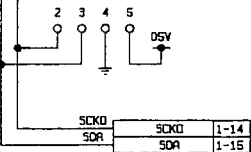
V<sub>EE</sub> TO WIDE  
EE(L) 16/11

2-5 TO CAP(2)  
SYS\_RESET 2-5

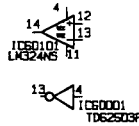
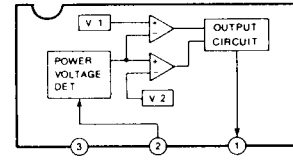
POFF\_L TO SUB POWER  
E-O POFF(L) 11/11



3-7 FLY\_OSC 3-7  
3-9 VERSR 3-8  
3-8 VERSR 3-8



### IC60003 MN1382-RTW



— INPUT SIGNAL  
— OUTPUT SIGNAL

— REFER TO THE COMPARISON CHART  
Ref No.60000 Series.

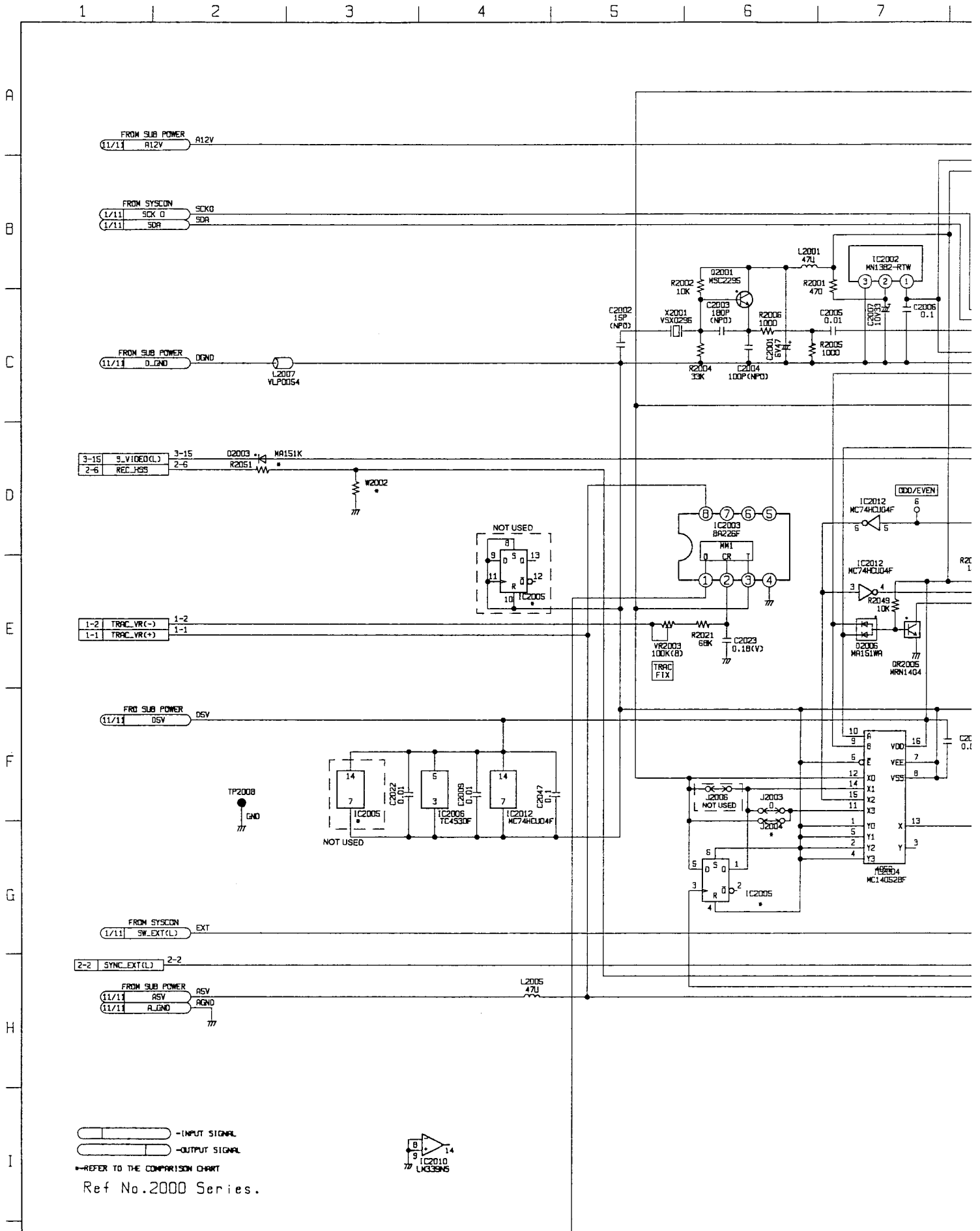


# SYSTEM CONTROL DC VOLTAGE CHART

REF. NO.	IC60001																							
MODE	1	2	3	4	5	6	7	8	9	10	11	12	13	14	15	16								
STOP	0	0	0	0	0	0	0	0	0	11.5	4.6	0	0	5.0	4.5	5.0								
REC	0	0	0	0	0	0	4.6	0	0	0	4.6	0	0	5.0	4.5	5.0								
F.F	0	0	0	0	0	0	0	0	0	11.5	4.6	0	0	5.0	4.5	5.0								
REF. NO.	IC60002																							
MODE	1	2	3	4	5	6	7	8	9	10	11	12	13	14	15	16	17	18	19	20				
STOP	0	4.8	0	0	0	0	0	0	0	0	0	0	4.9	0	0	4.9	0	4.7	4.9	0				
REC	0	4.8	0	0	0	0	4.8	4.7	4.8	0	3.2	3.2	4.9	0	0	4.9	0	4.7	4.9	0				
F.F	0	0	0	0	0	0	0	0	0	0	0	0	4.9	0	0	4.9	0	4.8	4.9	0				
REF. NO.	IC60002																							
MODE	21	22	23	24	25	26	27	28	29	30	31	32	33	34	35	36	37	38	39	40				
STOP	4.5	0	0	0.1	4.7	0.1	2.5	0	4.9	0	2.2	-	0	0	4.8	4.9	4.9	0	0	0				
REC	4.5	0	0	0	2.4	2.3	2.6	2.5	4.9	0	2.4	-	0	0	4.8	4.9	4.9	0	0	0				
F.F	4.6	0	0	0.1	2.1	2.2	2.6	5.2	4.9	0	2.4	-	0	0	4.9	4.9	4.9	0	0	4.9				
REF. NO.	IC60002																							
MODE	41	42	43	44	45	46	47	48	49	50	51	52	53	54	55	56	57	58	59	60				
STOP	4.8	4.8	4.8	4.8	4.8	4.8	4.8	5.0	4.6	0.2	0	4.7	4.5	4.9	4.8	4.8	0	0	0	0				
REC	4.8	4.8	4.8	4.8	0	4.8	0	5.0	4.6	0.2	0.2	4.8	4.5	4.9	4.8	0	0	0	0	0				
F.F	4.9	0	4.9	4.9	4.9	4.9	4.9	5.0	4.7	0.2	0.6	4.8	4.5	4.9	0	4.9	0	0	0	0				
REF. NO.	IC60002																							
MODE	61	62	63	64	65	66	67	68	69	70	71	72	73	74	75	76	77	78	79	80				
STOP	1.1	0.9	1.3	2.3	2.3	2.5	4.6	4.7	2.6	0.6	3.8	4.8	4.8	4.7	0.1	4.2	0	0	0	0				
REC	1.1	0.9	1.0	2.3	2.3	2.5	4.6	2.4	2.6	0.6	3.8	4.9	4.9	4.8	0.1	4.3	0	0	0	0				
F.F	0.7	0.9	1.0	3.7	2.7	2.3	0.6	0.5	2.6	0.6	3.8	4.9	4.9	4.9	0.1	4.3	0	0	0	0				
REF. NO.	IC60002																							
MODE	81	82	83	84																				
STOP	0	0	0	4.5																				
REC	0	0	0	4.5																				
F.F	0	0	0	4.6																				
REF. NO.	IC60003																							
MODE	V	G	O																					
STOP	4.9	0	4.9																					
REC	4.8	0	4.8																					
F.F	4.9	0	4.9																					
REF. NO.	IC60101																							
MODE	1	2	3	4	5	6	7	8	9	10	11	12	13	14										
STOP	3.8	3.8	3.8	11.5	1.0	1.0	1.0	2.4	2.4	2.4	0	0.1	0.1	10.3										
REC	3.8	3.8	3.8	11.5	1.0	1.0	1.0	2.4	2.4	2.4	0	0.1	0.1	0.3										
F.F	3.8	3.8	3.8	11.5	1.0	1.0	1.0	2.4	2.4	2.4	0	0.1	0.1	0.3										
REF. NO.	Q60001				Q60002				Q60003				Q60004				Q60005				Q60006			
MODE	E	C	B	E	C	B	E	C	B	E	C	B	E	C	B	E	C	B	E	C	B			
STOP	0.5	12.6	0.4	11.7	0	12.2	12.4	0	11.9	0	0	0	0	0.1	0	0	0	4.9	0.1					
REC	0.5	12.6	0.4	11.7	0	12.2	12.4	0	11.9	0	0	0	0	0	0	0	0	4.9	0					
F.F	0.5	12.6	0.4	11.7	0	12.2	12.4	0	11.9	0	0	0	0	0	0	0	0	4.9	0					
REF. NO.	Q60007			Q60008																				
MODE	E	C	B	E	C	B																		
STOP	0	4.6	0.1	0	0.1	0.1																		
REC	0	4.6	0.1	0	11.9	-0.7																		
F.F	0	4.6	0.2	0	0.2	0.2																		
REF. NO.	QR60001			QR60002			QR60003			QR60004			QR60007			QR60008								
MODE	E	C	B	E	C	B	E	C	B	E	C	B	E	C	B	E	C	B						
STOP	5.2	0.4	4.5	0	12.2	0	12.5	0.2	12.6	0	0.1	2.9	0	5.3	0	0	13.0	0						
REC	5.1	0.4	4.5	0	12.2	0	12.5	12.4	0.1	0	0.1	0	0	5.3	0	0	0.1	4.8						
F.F	5.2	0	4.9	0	12.2	0	12.5	0.3	12.5	0	0.1	2.9	0	5.3	0	0	13.0	0						
REF. NO.	QR60010			QR60013																				
MODE	E	C	B	E	C	B																		
STOP	0	3.7	0	0	4.8	0																		
REC	0	0.1	4.9	0	4.8	0																		
F.F	0	3.7	0	0	4.9	0																		

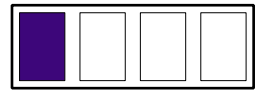
	AG-8700 AG-8600		AG-8700 AG-8600		AG-8700	AG-8600		AG-8700	AG-8600
C60020	-----	R60055	-----	C60010	0.033(B)	-----	R60025	33K(1/4W)	-----
C60021	-----	R60056	-----	C60011	0.0047(B)(J)	-----	R60040	100	-----
C60026	-----	R60057	-----	C60012	0.01(B)(J)	-----	R60046	100	-----
C60027	-----	R60058	-----	C60013	16V10	-----	R60049	100	-----
D60008	-----	R60059	-----	C60017	0.01	-----	T60001	E1Q7QF002B	-----
D60009	-----	R60060	-----	FL60001	VLF0630	-----			
IC60007	-----	IC60002	MN188166VCTL	L60001	470U	-----			
QR60006	-----	J6003	0	P60001	VJP1230T	-----			
QR60012	-----	J6004	-----	Q60008	2SD636	-----			
R60037	-----	R60046	-----	QR60003	MRN2402	-----			
R60038	-----	R60050	0	QR60008	MRN1404	-----			
R60039	-----			QR60010	MRN1404	-----			

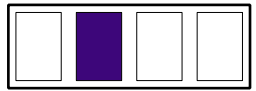
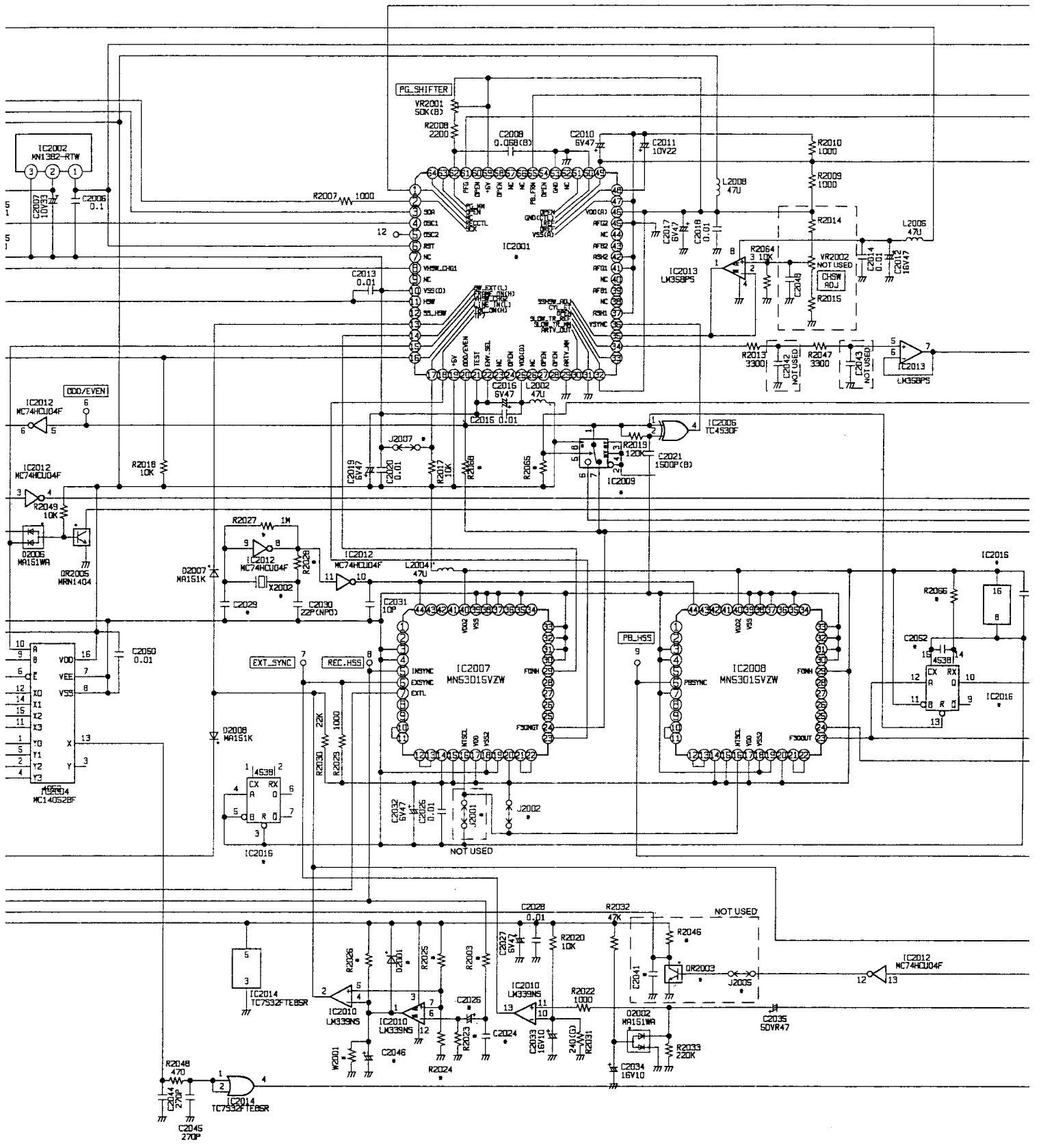
# CYL SERVO SCHEMATIC DIAGRAM 4/11 (E3: Page CBA-5)



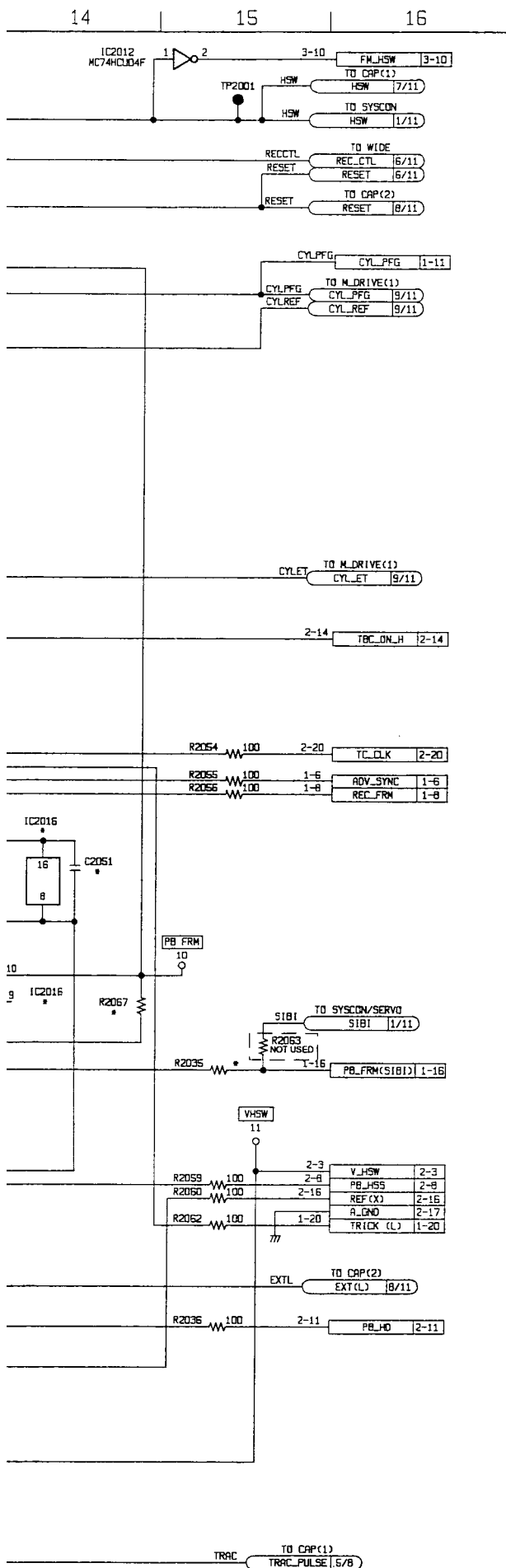
-INPUT SIGNAL  
 -OUTPUT SIGNAL

REFER TO THE COMPARISON CHART  
 Ref No.2000 Series.









## CYL SERVO DC VOLTAGE CHART

REF. NO.									
MODE	1	2	3	4	5	6	7	8	9
STOP	0	5.0	4.6	2.5	2.5	5.1	0	0	0
REC	3.1	5.0	4.6	2.5	2.5	5.1	0	0	0
F.F	0	5.0	4.6	2.5	2.5	5.2	0	5.2	0

REF. NO.									
MODE	21	22	23	24	25	26	27	28	29
STOP	0	0	0	0	5.1	0	2.6	0	0
REC	0	0	0	0	5.1	0	2.6	0	0
F.F	0	0	0	0	5.2	0	2.6	0	0

REF. NO.									
MODE	41	42	43	44	45	46	47	48	49
STOP	0	0	5.1	0	0	5.1	0	2.5	2.5
REC	0	0	5.1	0	0	5.1	0	2.5	2.5
F.F	0	0	5.2	0	0	5.2	0	2.5	2.5

REF. NO.									
MODE	61	62	63	64					
STOP	1.1	3.1	5.1	0					
REC	1.1	3.1	5.1	0					
F.F	1.1	3.1	5.2	0					

REF. NO.	IC2002								
MODE	V	G	O						
STOP	5.1	0	5.1						
REC	5.1	0	5.1						
F.F	5.2	0	5.2						

REF. NO.									
MODE	1	2	3	4	5	6	7	8	9
STOP	0	0	0	0	0	0	0	0	0
REC	0	0	0	0	0	0	0	0	0
F.F	0	0	0	0	0	0	0	0	5.2

REF. NO.									
MODE	1	2	3	4	5				
STOP	2.6	2.6	0	0	5.1				
REC	2.6	2.6	0	0	5.1				
F.F	2.6	2.6	0	0	5.2				

REF. NO.									
MODE	1	2	3	4	5	6	7	8	9
STOP	0	0	0	0	4.6	5.1	5.1	4.8	5.1
REC	0	0	0	0	4.5	5.1	5.1	4.7	5.1
F.F	0	0	0	0	4.5	5.2	5.1	4.7	5.2

REF. NO.									
MODE	21	22	23	24	25	26	27	28	29
STOP	0	0	2.6	2.6	0	0	0	0	5.1
REC	0	0	2.5	2.6	0	0	0	0	5.1
F.F	0	0	2.5	2.6	0	0	0	0	5.2

REF. NO.									
MODE	41	42	43	44					
STOP	5.1	5.1	0	2.5					
REC	5.1	5.1	0	2.5					
F.F	5.2	5.2	0	2.5					

REF. NO.									
MODE	1	2	3	4	5	6	7	8	9
STOP	0	0	0	0	1.7	4.6	0	4.7	5.1
REC	0	0	0	0	2.2	4.6	0	4.7	5.1
F.F	0	0	0	0	1.9	4.6	0	4.7	5.1

REF. NO.									
MODE	21	22	23	24	25	26	27	28	29
STOP	0	0	2.6	2.6	0	0	0	0	5.1
REC	0	0	2.6	2.6	0	0	0	0	5.1
F.F	0	0	2.6	2.6	0	0	0	0	5.2

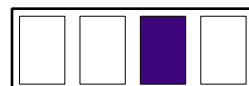
REF. NO.									
MODE	41	42	43	44					
STOP	5.1	5.1	0	2.5					
REC	5.1	5.1	0	2.5					
F.F	5.2	5.2	0	2.5					

REF. NO.									
MODE	1	2	3	4	5	6	7	8	9
STOP	0.5	5.1	5.0	0.5	2.5	0.2	2.5	0	0
REC	0.5	5.0	5.0	0.5	2.5	0.2	2.5	0	0
F.F	0.5	5.1	5.0	0.5	2.5	0.2	2.5	0	0

REF. NO.									
MODE	1	2	3	4	5	6	7	8	9
STOP	2.5	2.6	2.6	2.6	2.6	2.6	0	2.4	2.3
REC	2.5	2.6	2.6	2.6	2.6	2.6	0	2.4	2.3
F.F	2.6	2.6	2.6	2.6	2.6	2.6	0	2.4	2.3



IC2001											
9	10	11	12	13	14	15	16	17	18	19	20
0	0	2.5	2.6	5.1	5.1	0	3.7	0	2.5	5.1	2.6
0	0	2.6	0	5.1	5.1	0	3.7	0	2.5	5.1	2.6
0	0	2.6	2.6	5.1	5.2	0	3.7	0	2.5	5.2	2.6

IC2001											
9	30	31	32	33	34	35	36	37	38	39	40
0	0	0	5.1	0.5	2.4	0	0	0	0	5.1	0
0	0	0	5.1	0.5	2.4	0	0	0	0	5.1	0
0	0	0	5.2	0.5	2.4	0	0	0	0	5.2	0

IC2001											
9	50	51	52	53	54	55	56	57	58	59	60
.5	0	0	0	0	0	5.0	0	0	1.9	5.1	0
.5	0	3.1	0	0	0	4.9	0	0	1.9	5.1	0
.5	0	0	0	0	0	4.9	0	0	1.9	5.2	0

IC2001											

IC2003										
	1	2	3	4	5	6	7	8		
	1.9	0.5	2.5	0	0	0	0	5.0		
	1.9	0.5	2.5	0	0	0	0	5.0		
	1.9	0.5	2.6	0	0	0	0	5.0		

IC2004										
9	10	11	12	13	14	15	16			
0	0	2.6	2.6	2.5	2.6	2.6	5.1			
0	0	2.6	2.6	2.6	2.6	2.6	5.1			
.2	0	2.6	2.6	2.6	2.6	2.6	5.2			

IC2006											

IC2007											
9	10	11	12	13	14	15	16	17	18	19	20
.1	0	0	0	0	5.1	5.1	5.1	5.1	0	0	5.1
.1	0	0	0	0	5.1	5.1	5.1	5.1	0	0	5.1
.2	0	0	0	0	5.2	5.2	5.1	5.2	0	0	5.2

IC2007											
9	30	31	32	33	34	35	36	37	38	39	40
.1	0	0	0	0	0	0	0	0	0	0	5.1
.1	0	0	0	0	0	0	0	0	0	0	5.1
.2	0	0	0	0	0	5.2	0	0	0	0	5.2

IC2007											

IC2008											
9	10	11	12	13	14	15	16	17	18	19	20
.1	0	0	0	0	5.1	5.1	5.1	5.1	0	0	5.1
.1	0	0	0	0	5.1	5.1	5.1	5.1	0	0	5.1
.1	0	0	0	0	5.2	5.2	5.1	5.2	0	0	5.2

IC2008											
9	30	31	32	33	34	35	36	37	38	39	40
.1	0	0	0	0	5.1	0	0	0	0	0	5.1
.1	0	0	0	0	5.1	0	0	0	0	0	5.1
.2	0	0	0	0	5.2	0	0	0	0	0	5.2

IC2008											

IC2010										
9	10	11	12	13	14					
.1	0.1	0.3	0	5.1	0					
.1	0.1	0.4	0	5.1	0					
.1	0.1	0.2	0	5.2	0					

IC2012										
9	10	11	12	13	14					
.3	2.5	2.4	5.1	0	5.1					
.3	2.5	2.4	5.1	0	5.1					
.3	2.5	2.4	4.9	0	5.2					

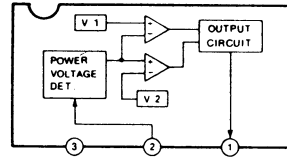
REF. NO. IC2013										
MODE	1	2	3	4	5	6	7	8		
STOP	0	0	0	0	2.4	2.4	2.4	11.7		
REC	0	0	0	0	2.4	2.4	2.4	11.7		
F.F.	0	0	0	0	2.4	2.4	2.4	11.7		

REF. NO. IC2014										
MODE	1	2	3	4	5					
STOP	2.6	2.6	0	2.5	5.0					
REC	2.6	2.6	0	2.5	5.0					
F.F.	2.6	2.6	0	2.5	5.0					

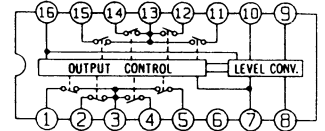
REF. NO. Q2001										
MODE	E	C	B							
STOP	3.2	5.1	-							
REC	3.2	5.1	-							
F.F.	3.2	5.1	-							

REF. NO. QR2005										
MODE	E	C	B							
STOP	0	3.5	0.6							
REC	0	3.5	0.6							
F.F.	0	3.5	0.6							

**IC2002  
MN1382-RTW**

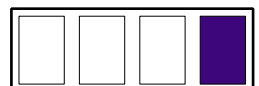


**IC2004  
MC14052BF**

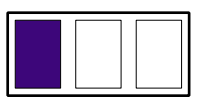
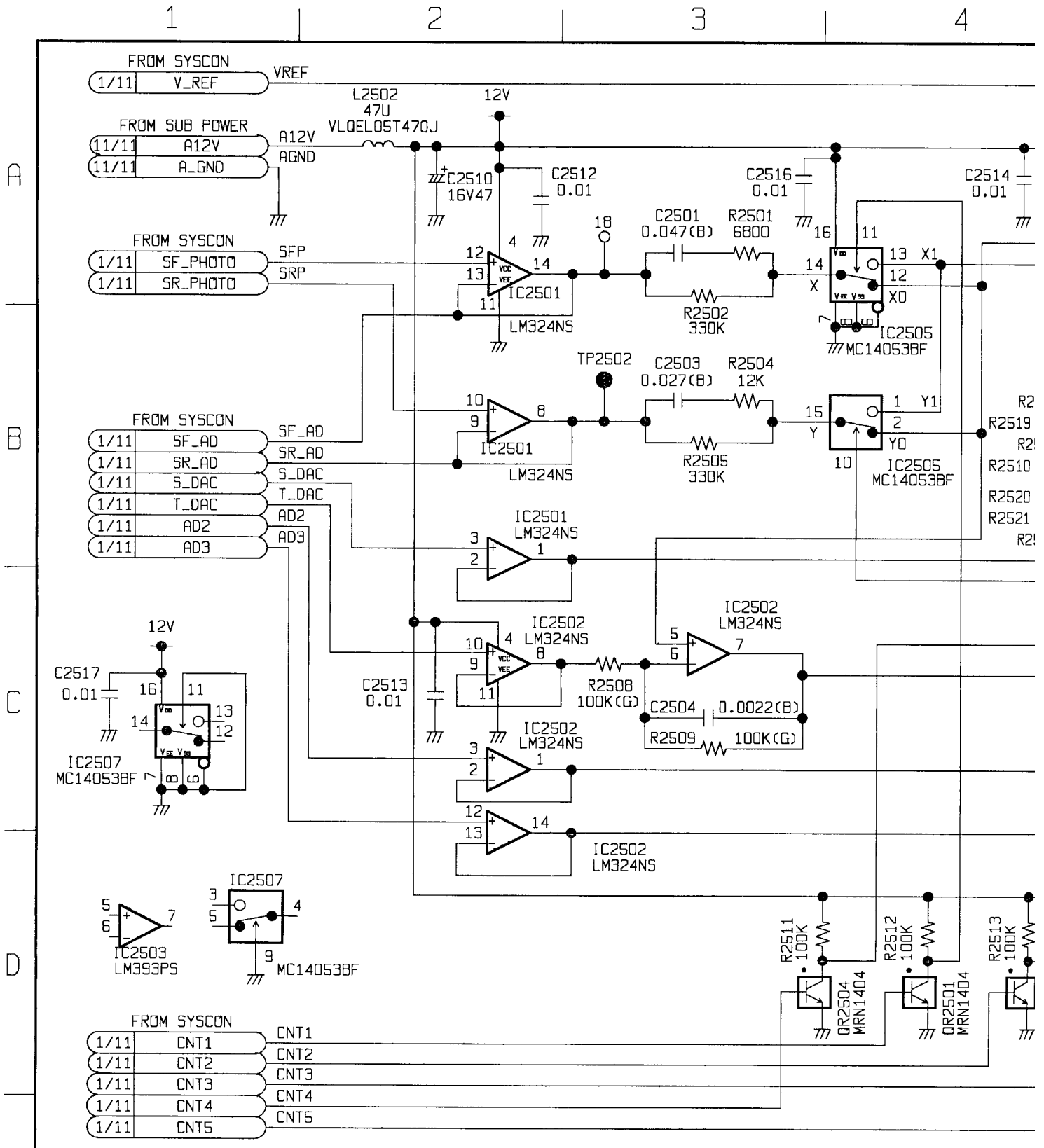


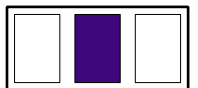
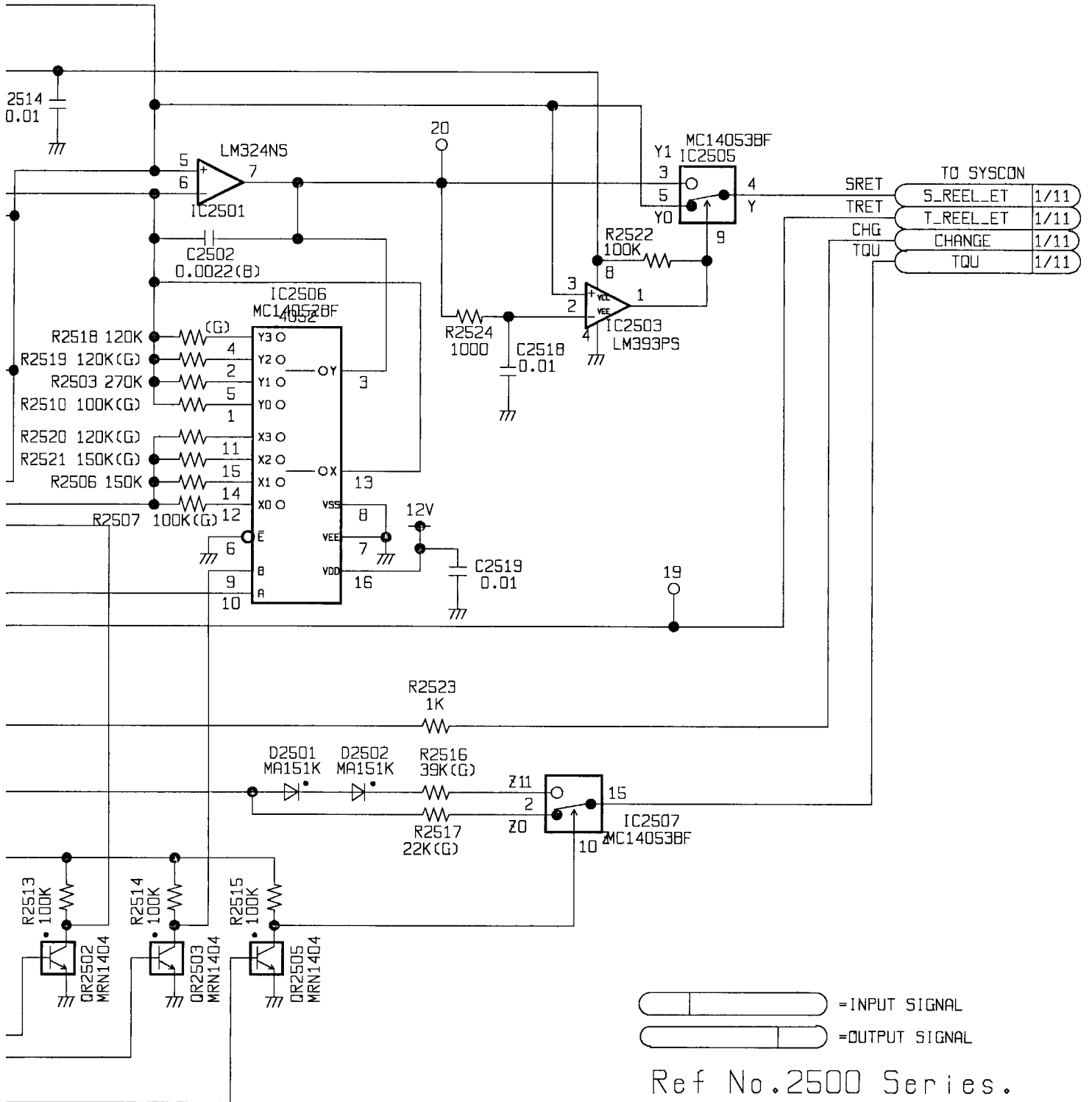
	AG-8700	AG-8600		AG-8700	AG-8600
C2024	1000P	---	J2004	0	0
C2026	50V1	50V1	J2005	---	---
C2029	33P (NPD)	33P (NPD)	IC2009	TC4W53F	---
C2041	---	---	IC2016	---	---
C2046	50VR47	50VR47	DR2003	---	---
C2051	---	---	R2003	33K	---
C2052	---	---	R2023	220K	---
D2001	MA151K	---	R2024	10K	---
IC2001	MN6742VMEP	MN6742VMEP	R2025	10K	---
IC2005	---	---	R2026	180K	---
J2001	---	---	R2028	5600	5600
J2002	0	0	R2035	100	100

	AG-8700	AG-8600
R2046	---	---
R2051	100	---
R2055	---	---
R2056	0	---
R2057	0	0
R2058	---	0
W2001	---	0
W2002	---	0
X2002	V5X0066-D	V5X0066-D
J2007	---	0



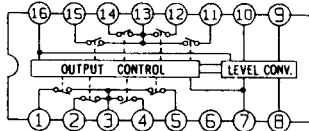
# REEL SERVO SCHEMATIC DIAGRAM 3/11 (E3: Page CBA-5)



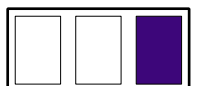


## REEL SERVO DC VOLTAGE CHART

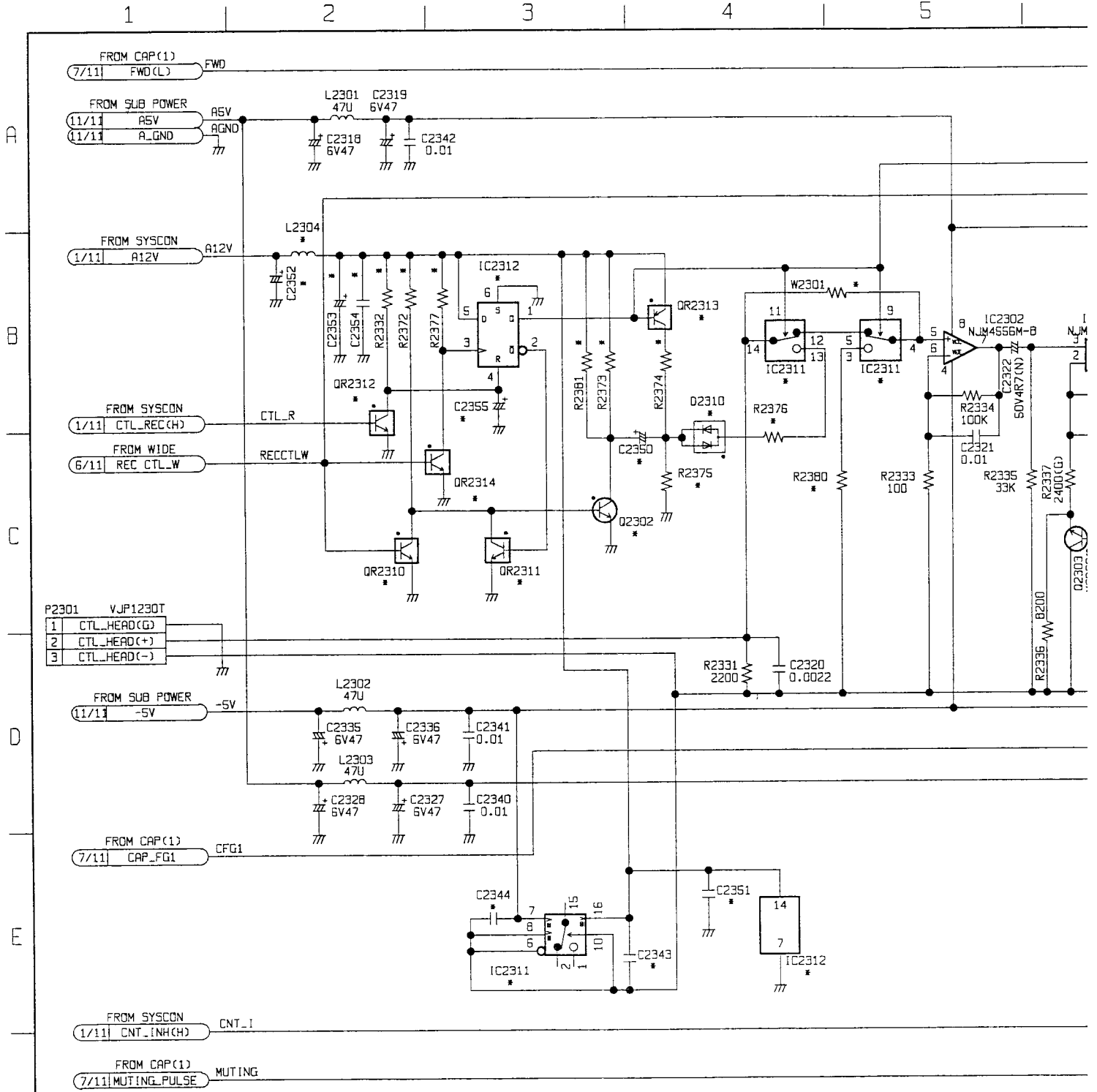
IC2506  
MC14052BF



REF. NO.	IC2501										
MODE	1	2	3	4	5	6	7	8	9	10	
STOP	2.4	2.4	2.3	11.7	2.4	2.4	2.3	4.6	4.6	4.6	
REC	2.5	2.5	2.5	11.7	2.4	2.4	2.2	4.6	4.6	4.6	
F.F	2.4	2.4	2.3	11.7	2.4	2.4	2.3	0.6	0.6	0.6	
REF. NO.	IC2501										
MODE	11	12	13	14							
STOP	0	4.7	4.7	4.7							
REC	0	2.4	2.4	2.4							
F.F	0	0.5	0.5	0.5							
REF. NO.	IC2502										
MODE	1	2	3	4	5	6	7	8	9	10	
STOP	1.0	1.0	1.0	11.7	2.4	2.4	2.4	2.4	2.4	2.4	
REC	2.4	2.4	2.3	11.7	2.4	2.4	2.4	2.4	2.4	2.4	
F.F	3.8	3.8	3.8	11.7	2.4	2.4	2.0	2.8	2.7	2.7	
REF. NO.	IC2502										
MODE	11	12	13	14							
STOP	0	0.9	1.0	1.0							
REC	0	1.0	1.0	1.0							
F.F	0	0.9	1.0	1.0							
REF. NO.	IC2503										
MODE	1	2	3	4	5	6	7	8			
STOP	11.6	2.2	2.4	0	0.5	0.5	0	11.7			
REC	11.6	2.2	2.4	0	0.5	0.5	0	11.7			
F.F	11.6	2.3	2.4	0	1.5	1.5	0	11.7			
REF. NO.	IC2505										
MODE	1	2	3	4	5	6	7	8	9	10	
STOP	2.4	2.4	2.3	2.3	2.4	0	0	0	11.6	0	
REC	2.4	2.4	2.2	2.2	2.4	0	0	0	11.6	0	
F.F	2.4	2.4	2.3	2.3	2.4	0	0	0	11.6	0	
REF. NO.	IC2505										
MODE	11	12	13	14	15	16					
STOP	0	2.4	2.4	2.4	2.4	11.7					
REC	11.6	2.4	2.4	2.4	2.4	11.7					
F.F	0	2.4	2.4	2.4	2.4	11.7					
REF. NO.	IC2506										
MODE	1	2	3	4	5	6	7	8	9	10	
STOP	2.3	2.1	2.1	2.3	2.3	0	0	0	11.6	0	
REC	2.3	2.2	2.2	2.3	2.3	0	0	0	11.6	0	
F.F	2.3	2.3	2.3	2.3	2.3	0	0	0	0	0	
REF. NO.	IC2506										
MODE	11	12	13	14	15	16					
STOP	2.6	2.6	2.4	2.5	2.4	11.7					
REC	2.5	2.5	2.4	2.5	2.4	11.7					
F.F	2.3	2.4	2.4	2.3	2.3	11.7					
REF. NO.	IC2507										
MODE	1	2	3	4	5	6	7	8	9	10	
STOP	1.4	1.0	0.1	0.1	0.1	0	0	0	0	11.4	
REC	0.8	0.1	0.1	0.1	0.1	0	0	0	0	0	
F.F	0	1.2	0.1	0.1	0.1	0	0	0	0	11.6	
REF. NO.	IC2507										
MODE	11	12	13	14	15	16					
STOP	0	0.1	0.1	0.1	0.1	11.7					
REC	0	0.1	0.1	0.1	0.1	11.7					
F.F	0	0.1	0.1	0.1	0.1	11.7					
REF. NO.	QR2501			QR2502			QR2503				
MODE	E	C	B	E	C	B	E	C	B		
STOP	0	0	4.9	0	0	4.9	0	0	4.9		
REC	0	11.6	0	0	0	4.9	0	11.6	0		
F.F	0	0	4.9	0	0	4.9	0	0	4.9		
REF. NO.	QR2504			QR2505							
MODE	E	C	B	E	C	B					
STOP	0	0	4.9	0	11.4	0					
REC	0	0	4.9	0	0	4.9					
F.F	0	0	4.9	0	11.6	0					



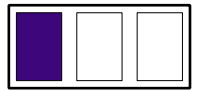
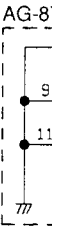
# CTL AMP SCHEMATIC DIAGRAM 5/11 (E3: Page CBA-5)

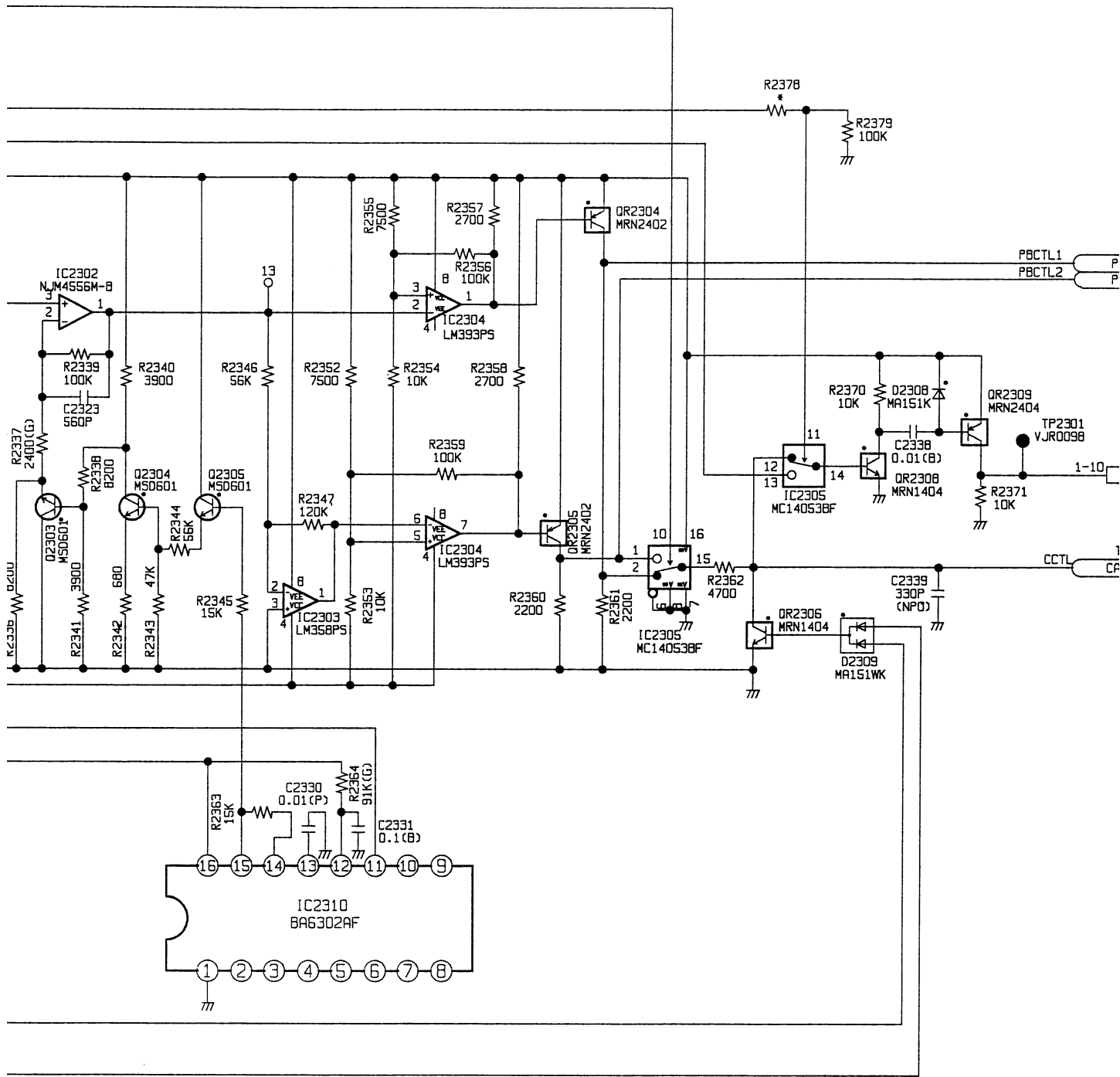


	AG-8700	AG-8600
C2343	0.01	---
C2344	0.01	---
C2350	16V47	---
C2351	0.01	---
C2352	16V47	---
C2353	16V47	---
C2354	0.01	---
C2355	50V1	---
Q2310	MR153	---
IC2311	MC14053BF	---
IC2312	MC14013BF	---

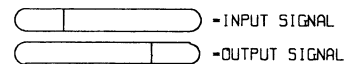
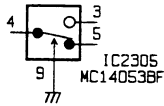
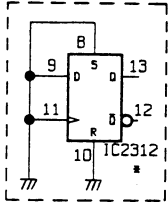
	AG-8700	AG-8600
L2304	47U	---
Q2302	MSD601	---
QR2310	MRN1403	---
QR2311	MRN1404	---
QR2312	MRN1404	---
QR2313	MRN2404	---
QR2314	MRN1404	---
R2332	68K	---
R2372	15K	---
R2373	1200(1/4W)	---
R2374	4700	---

	AG-8700	AG-8600
R2375	5600	---
R2376	560	---
R2377	47K	---
R2378	150K	---
R2380	100	---
R2381	1200(1/4W)	---
W2301	---	0



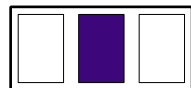


AG-8700 ONLY



\*-REFER TO THE COMPARISON CHART

Ref No.2300 Series.



### CTL AMP DC VOLTAGE CHART

REF. NO.	IC2302								IC2303									
MODE	1	2	3	4	5	6	7	8	1	2	3	4	5	6	7	8		
STOP	0.1	0	0	-5.0	0	0	-0.1	5.0	-0.2	0	0	-5.0	0.3	0.2	3.9	5.0		
REC	0	0	0	-5.0	0	0	-0.1	5.0	-0.1	0	0	-5.0	0.3	0.3	3.9	5.0		
F.F.	0.6	0	0	-5.0	0	0	-0.1	5.0	-1.5	-0.1	0	-5.0	0.3	0.3	3.9	5.0		
REF. NO.	IC2304																	
MODE	1	2	3	4	5	6	7	8										
STOP	4.9	0.1	0.9	-5.0	0.9	0	4.9	5.0										
REC	4.9	0	0.9	-5.0	0.9	0	4.9	5.0										
F.F.	0	0.5	0.7	-0.5	0.7	-1.4	1.4	5.0										
REF. NO.	IC2305																	
MODE	1	2	3	4	5	6	7	8	9	10	11	12	13	14	15	16		
STOP	0	0	0	0	0	0	0	0	0	0	0	0	0	0	0	5.0		
REC	0	0	0.4	0.4	0.4	0	0	0	0	0	4.6	0	3.1	3.0	0	5.0		
F.F.	1.9	2.7	0	0	0	0	0	0	0	0	0	2.4	0	2.4	2.6	5.0		
REF. NO.	IC2310																	
MODE	1	2	3	4	5	6	7	8	9	10	11	12	13	14	15	16		
STOP	0	1.3	1.3	0	1.5	4.7	0	0	0.7	0.5	0	5.0	3.4	2.6	1.7	5.1		
REC	0	1.3	0.2	0	0.9	4.4	0	0	1.3	2.0	2.5	0.3	0.6	2.6	3.8	5.1		
F.F.	0	1.3	0.2	0	0.9	4.4	0	0	0	0	5.1	5.0	3.4	2.6	1.7	5.0		
REF. NO.	IC2311																	
MODE	1	2	3	4	5	6	7	8	9	10	11	12	13	14	15	16		
STOP	0	0	0	0	0	0	-5.0	0	0	0	0	0	5.9	0	0	11.7		
REC	0	0	0	0	0	0	-5.0	0	11.7	0	11.7	0	0	0	0	11.7		
F.F.	0	0	0	0	0	0	-5.0	0	0	0	0	0	5.9	0	0	11.7		
REF. NO.	IC2312																	
MODE	1	2	3	4	5	6	7	8	9	10	11	12	13	14				
STOP	0	11.6	11.6	11.6	11.7	0	0	0	0	0	0	0	11.7	11.7				
REC	11.7	0	4.6	0	11.7	0	0	0	0	0	0	0	11.7	11.7				
F.F.	0	11.6	11.6	11.6	11.7	0	0	0	0	0	0	0	11.7	11.7				
REF. NO.	Q2302				Q2303			Q2304			Q2305							
MODE	E	C	B	E	C	B	E	C	B	E	C	B						
STOP	0	11.7	0	0	0	0.6	0	3.5	0.5	1.2	5.0	1.7						
REC	0	5.6	0.3	0	0	0.3	0.7	0.8	1.3	3.2	5.0	3.7						
F.F.	0	11.7	0	0	0	0.6	0	3.5	0.5	1.2	5.0	1.7						
REF. NO.	QR2304			QR2305			QR2306			QR2308			QR2309			QR2310		
MODE	E	C	B	E	C	B	E	C	B	E	C	B	E	C	B	E	C	B
STOP	5.0	0	4.9	5.0	0	4.9	0	0	4.7	0	5.0	0	5.0	0	5.0	0	0	0
REC	5.0	0	4.9	5.0	0	4.9	0	0	0	0	2.0	3.0	5.0	0.1	4.9	0	0.3	3.1
F.F.	5.0	2.7	-0.2	5.0	1.9	1.4	0	2.6	0	0	1.8	2.4	5.0	2.9	3.7	0	0	0
REF. NO.	QR2311			QR2312			QR2313			QR2314								
MODE	E	C	B	E	C	B	E	C	B	E	C	B						
STOP	0	0	11.6	0	11.6	0	11.7	11.7	0	0	11.6	0						
REC	0	0.3	0	0	4.8	11.7	0.1	11.7	0	4.6	3.1	0						
F.F.	0	0	11.6	0	11.6	0	11.7	11.7	0	0	11.6	0						

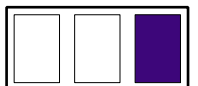
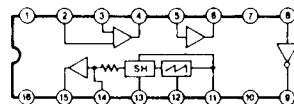
TO WIDE  
PBCTL1 6/11  
PBCTL2 6/11

J1  
38

1-10 CTL\_PULSE 1-10

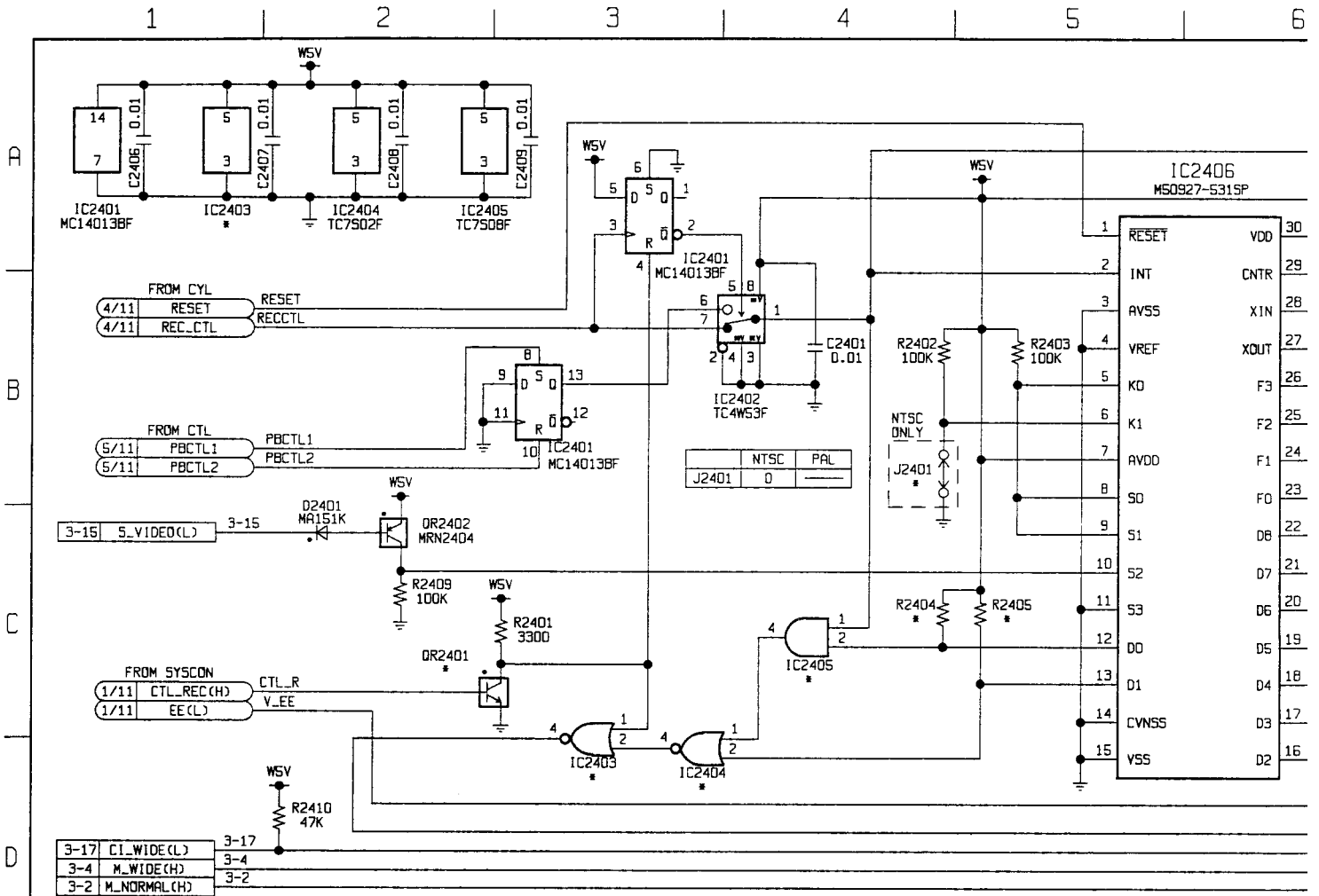
TO CAP(1)  
CAP\_CTL 7/11

IC2310  
BA6302AF



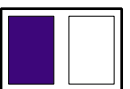


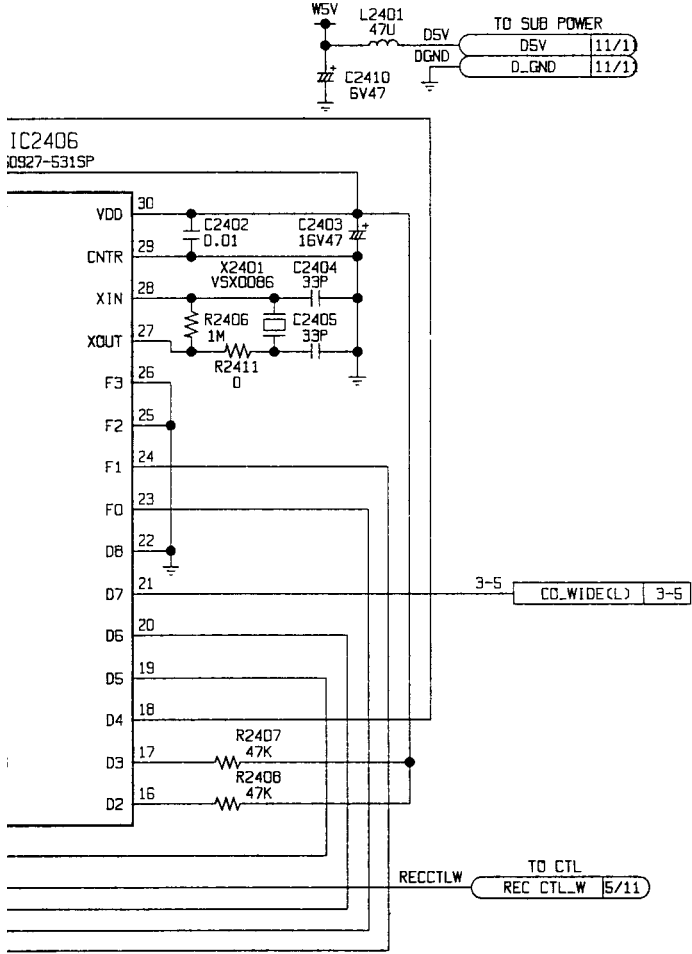
# WIDE SCHEMATIC DIAGRAM 6/11 (E3: Page CBA-5)



= INPUT SIGNAL  
 = OUTPUT SIGNAL

	AG-8700	AG-8600
J2401		
IC2403	TC7502F	
IC2404	TC7502F	
IC2405	TC7502F	
DR2401	MRN1404	
R2404	47K	
R2405	47K	



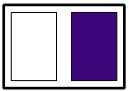


INPUT SIGNAL  
OUTPUT SIGNAL

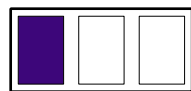
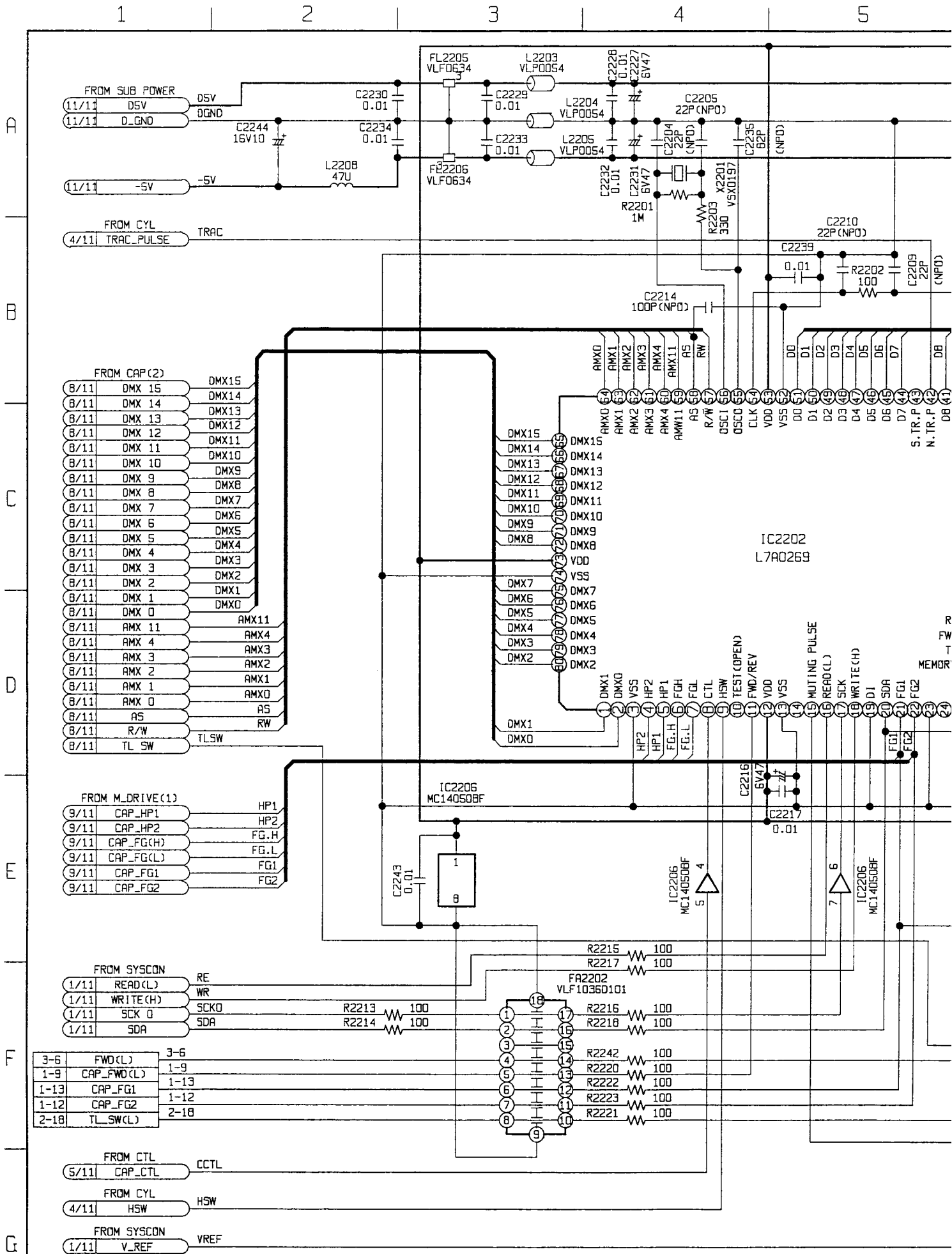
\*-REFER TO THE COMPARISON CHART  
Ref No.2400 Series.

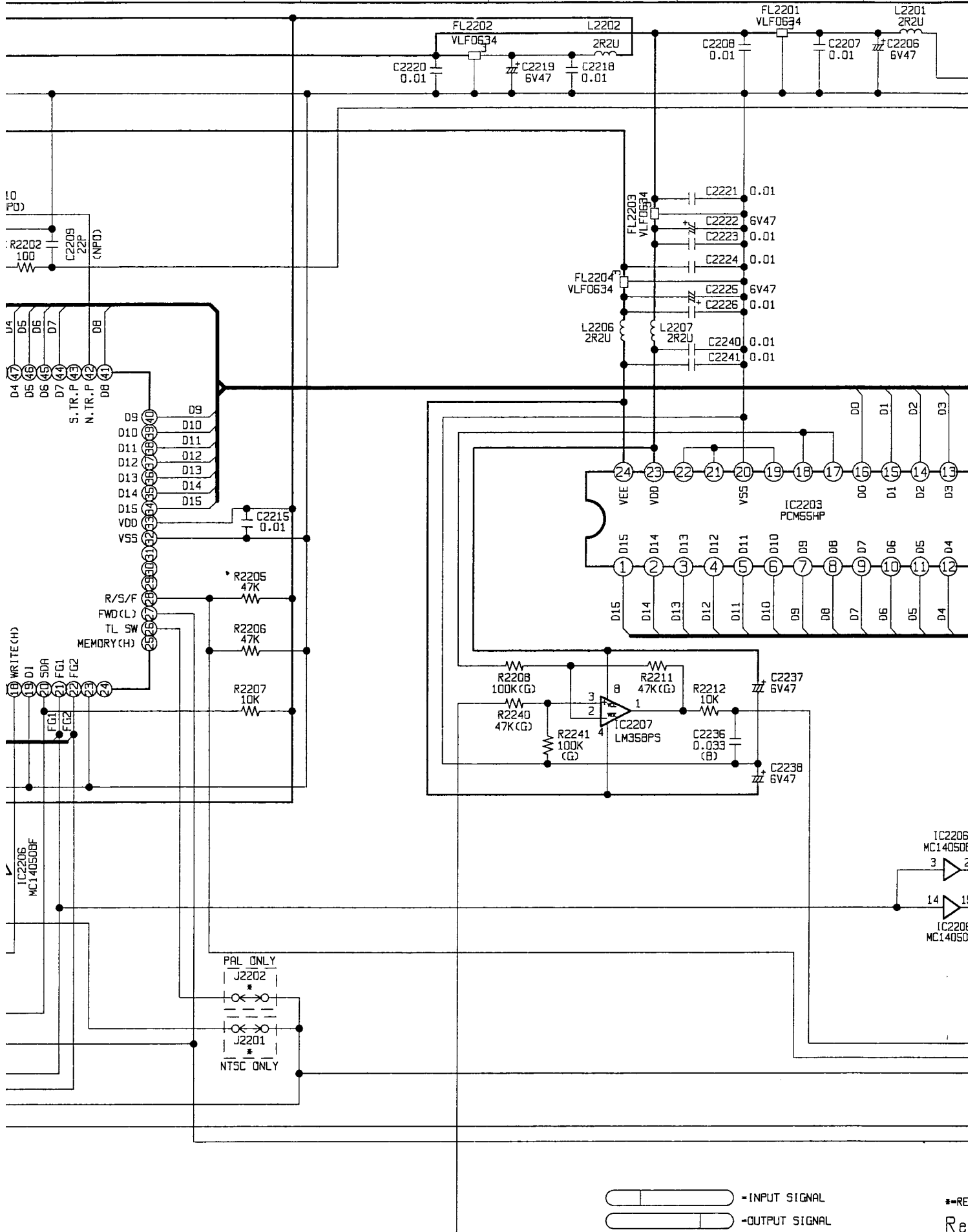
### WIDE DC VOLTAGE CHART


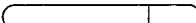
REF. NO.	IC2401									
MODE	1	2	3	4	5	6	7	8	9	10
STOP	0	5.1	0	5.1	5.1	0	0	0	0	0
REC	5.1	0	3.1	0.1	5.1	0	0	0	0	0
F.F	0	5.1	0	5.2	5.2	0	0	2.7	0	1.9
REF. NO.	IC2401									
MODE	11	12	13	14						
STOP	0	0	5.1	5.1						
REC	0	5.1	0	5.1						
F.F	0	2.0	3.1	5.1						
REF. NO.	IC2402									
MODE	1	2	3	4	5	6	7	8		
STOP	5.1	0	0	0	5.1	5.1	0	5.1		
REC	3.1	0	0	0	0	0	3.1	5.1		
F.F	3.1	0	0	0	5.2	3.2	0	5.2		
REF. NO.	IC2403									
MODE	1	2	3	4	5					
STOP	5.1	0	0	0	5.1					
REC	0.1	2.1	0	3.1	5.1					
F.F	5.2	0	0	0	5.2					
REF. NO.	IC2404									
MODE	1	2	3	4	5					
STOP	5.1	0	0	0	5.1					
REC	0.4	3.1	0	2.1	5.1					
F.F	0	5.2	0	0	5.2					
REF. NO.	IC2405									
MODE	1	2	3	4	5					
STOP	5.1	5.1	0	5.1	5.1					
REC	3.1	1.8	0	0.4	5.1					
F.F	3.2	0	0	0	5.2					
REF. NO.	IC2406									
MODE	1	2	3	4	5	6	7	8	9	10
STOP	5.1	5.1	0	0	5.1	0	5.1	5.1	5.1	5.1
REC	5.1	3.1	0	0	5.1	5.0	5.1	5.1	5.1	5.1
F.F	5.2	3.1	0	0	5.1	5.1	5.2	5.1	5.1	5.1
REF. NO.	IC2406									
MODE	11	12	13	14	15	16	17	18	19	20
STOP	0	5.1	0	0	0	5.1	5.1	5.1	0	5.1
REC	0	1.8	3.1	0	0	5.1	5.1	3.1	0	5.1
F.F	0	5.1	5.2	0	0	5.2	5.2	3.2	0	5.1
REF. NO.	IC2406									
MODE	21	22	23	24	25	26	27	28	29	30
STOP	4.8	0	0	0	0	0	2.5	2.5	0	5.1
REC	4.8	0	0	0	0	0	2.5	2.5	0	5.1
F.F	4.8	0	0	0	0	0	2.5	2.5	0	5.2
REF. NO.	QR2401			QR2402						
MODE	E	C	B	E	C	B				
STOP	0	5.1	0	5.1	5.1	3.7				
REC	0	0.1	4.8	5.1	5.1	3.7				
F.F	0	5.2	0	5.1	5.1	3.7				



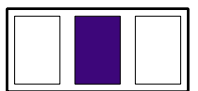
# CAPSTAN SERVO-1 SCHEMATIC DIAGRAM 7/11 (E3: Page CBA-5)

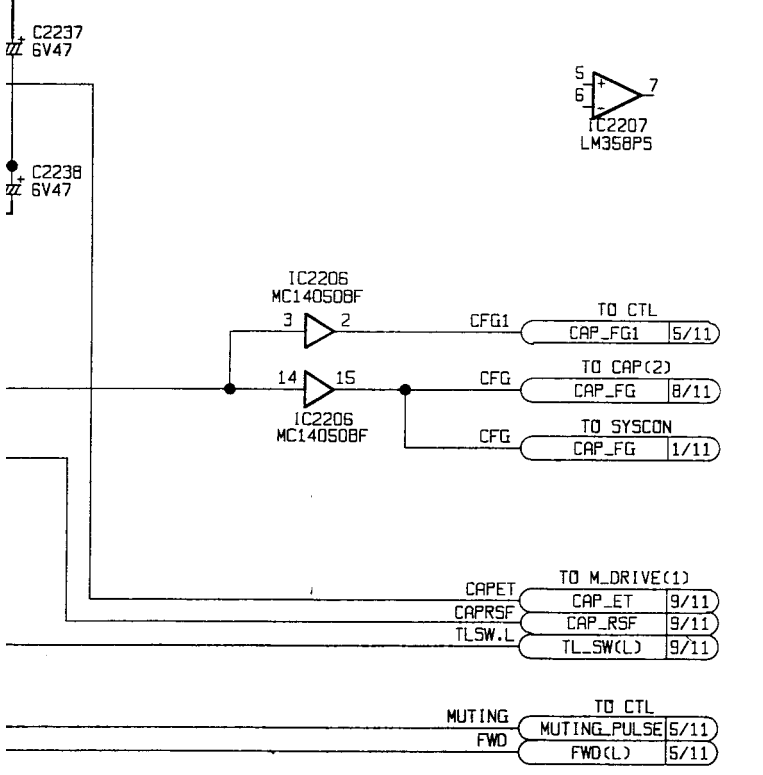
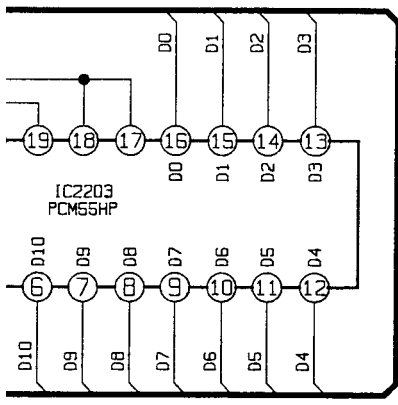
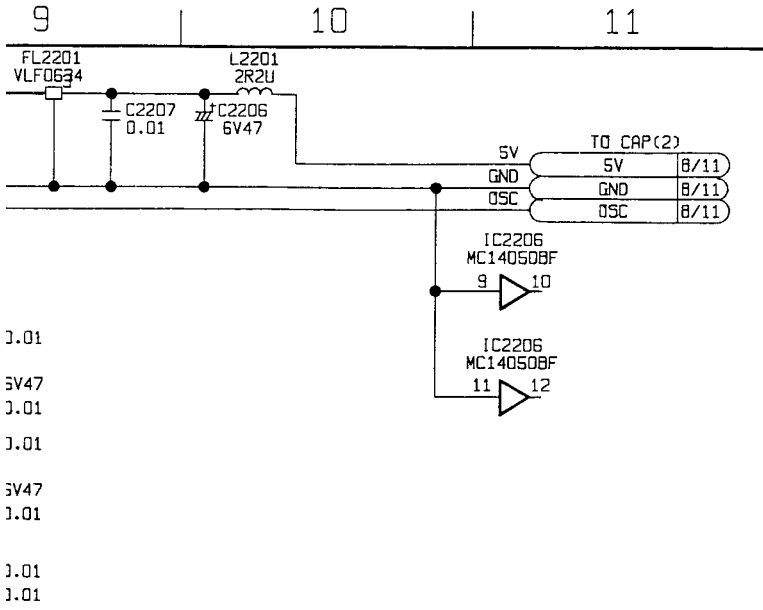




 = INPUT SIGNAL  
 = OUTPUT SIGNAL

\* = RE  
 Re



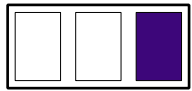


**CAPSTAN SERVO-1 DC VOLTAGE CHART**

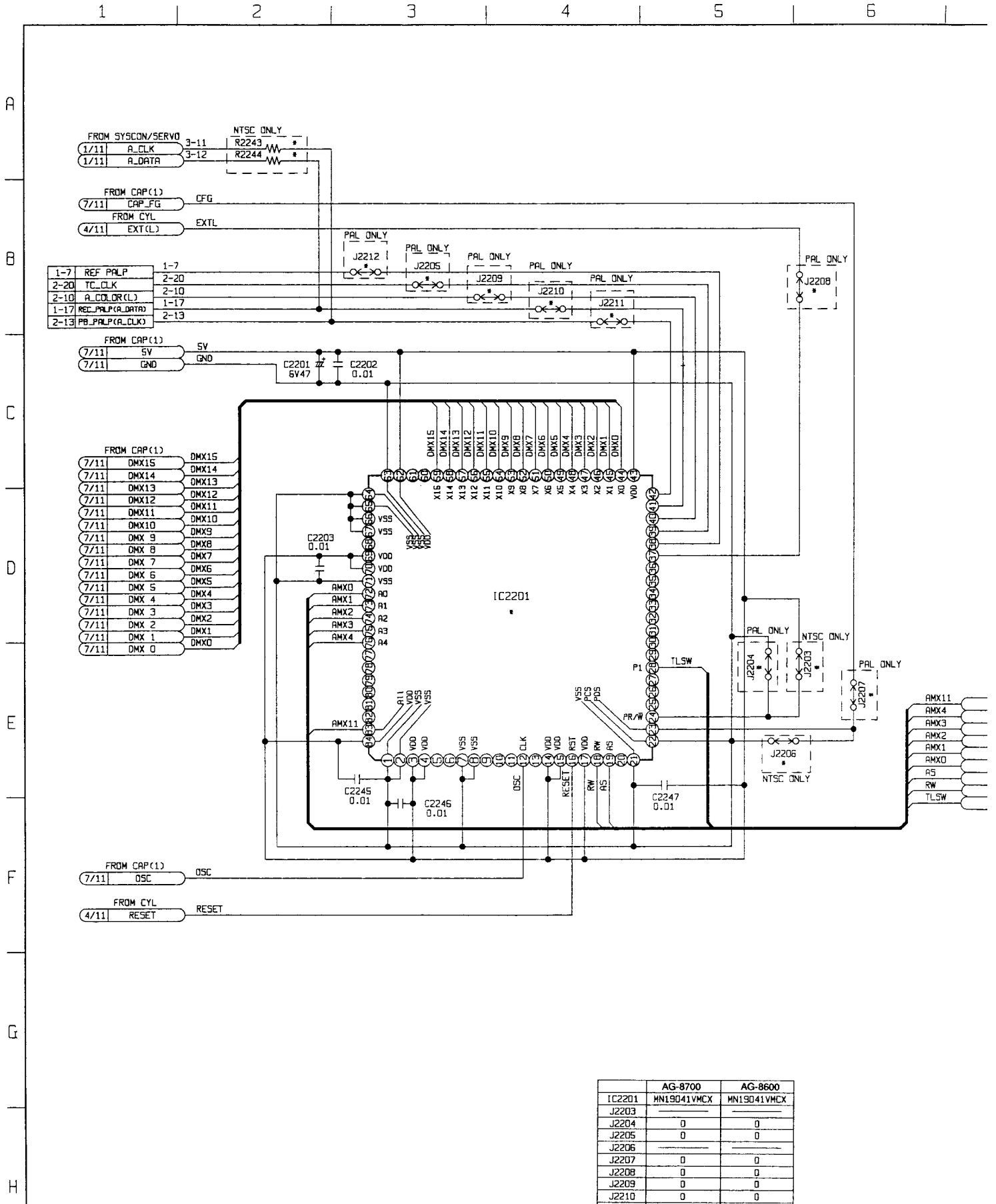
REF. NO.	IC2202									
MODE	1	2	3	4	5	6	7	8	9	10
STOP	4.8	2.2	0	5.0	5.0	0	2.0	0	2.6	5.1
REC	4.2	3.0	0	2.6	2.6	2.5	2.5	0	2.5	5.1
F.F	2.6	2.1	0	2.6	0	5.0	2.4	2.6	2.6	5.1
REF. NO.	IC2202									
MODE	11	12	13	14	15	16	17	18	19	20
STOP	5.1	5.1	0	0	5.1	4.5	5.0	0	0	4.6
REC	0	5.1	0	0	0	4.5	5.0	0	0	4.6
F.F	0	5.2	0	0	0	4.6	5.0	0	0	4.6
REF. NO.	IC2202									
MODE	21	22	23	24	25	26	27	28	29	30
STOP	0	4.5	0	5.1	0	5.1	0	0	0	0
REC	2.3	2.3	0	5.1	0	0	0	0	0	0
F.F	5.0	4.5	0	5.2	0	5.1	0	0	0	0
REF. NO.	IC2202									
MODE	31	32	33	34	35	36	37	38	39	40
STOP	0	0	5.1	5.1	0	0	5.1	5.1	5.1	0
REC	0	0	5.1	0	5.1	5.1	0	0	5.1	0
F.F	0	0	5.2	5.2	0	0	0	0	0	0
REF. NO.	IC2202									
MODE	41	42	43	44	45	46	47	48	49	50
STOP	5.1	1.9	5.1	0	5.1	5.1	0	5.1	5.1	5.1
REC	2.9	1.9	5.1	2.7	2.7	2.6	2.7	2.6	2.7	2.6
F.F	0	1.9	5.2	0	0	0	0	0	0	0
REF. NO.	IC2202									
MODE	51	52	53	54	55	56	57	58	59	60
STOP	0	0	5.1	1.5	2.1	2.2	5.0	3.2	0.5	4.1
REC	2.7	0	5.1	1.9	1.9	2.2	5.0	2.8	0.3	1.9
F.F	0	0	5.2	1.6	2.1	2.2	5.0	3.2	0.5	4.5
REF. NO.	IC2202									
MODE	61	62	63	64	65	66	67	68	69	70
STOP	0.9	0.8	0.9	0.9	3.4	2.4	2.2	2.3	3.4	3.6
REC	2.1	3.6	2.8	2.4	4.2	4.4	3.7	3.5	3.6	3.0
F.F	0.8	1.0	0.5	0.3	2.4	3.7	3.7	3.7	3.7	3.3
REF. NO.	IC2202									
MODE	71	72	73	74	75	76	77	78	79	80
STOP	4.0	2.2	5.1	0	2.9	2.8	2.8	4.3	2.8	4.3
REC	4.1	2.9	5.1	0	3.6	3.7	3.6	3.6	4.1	3.7
F.F	3.1	3.1	5.2	0	2.9	2.9	3.0	2.9	2.9	2.2
REF. NO.	IC2203									
MODE	1	2	3	4	5	6	7	8	9	10
STOP	0	5.1	0	0	5.1	0	0	5.1	0	5.1
REC	0	5.1	5.1	0	5.1	5.1	3.8	2.2	2.6	2.7
F.F	5.2	0	0	0	0	0	0	0	0	0
REF. NO.	IC2203									
MODE	11	12	13	14	15	16	17	18	19	20
STOP	5.1	0	0	5.1	0	0	0	0	0	0
REC	2.7	2.7	2.7	2.7	2.7	2.7	0.6	0.6	0	0
F.F	0	0	0	0	0	0	0	0	0	0
REF. NO.	IC2203									
MODE	21	22	23	24						
STOP	0	0	5.1	-5.0						
REC	0	0	5.1	-5.0						
F.F	0	0	5.1	-5.0						
REF. NO.	IC2206									
MODE	1	2	3	4	5	6	7	8	9	10
STOP	5.1	5.1	0	0	0	5.0	4.7	0	0	0
REC	5.1	2.5	2.3	0	0	5.0	4.7	0	0	0
F.F	5.2	5.1	0.1	2.8	2.4	5.1	4.7	0	0	0
REF. NO.	IC2206									
MODE	11	12	13	14	15	16				
STOP	0	0	0	0	5.1	0				
REC	0	0	0	2.6	2.6	0				
F.F	0	0	0	2.6	5.1	0				
REF. NO.	IC2207									
MODE	1	2	3	4	5	6	7	8		
STOP	2.0	1.6	1.6	-5.0	0.3	0.3	4.0	5.1		
REC	2.1	1.6	1.6	-5.0	0.3	0.3	4.0	5.1		
F.F	2.4	1.6	1.6	-5.0	0.3	0.3	4.0	5.2		

INPUT SIGNAL  
OUTPUT SIGNAL

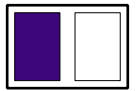
\*-REFER TO THE COMPARISON CHART  
Ref No. 2200 Serie.

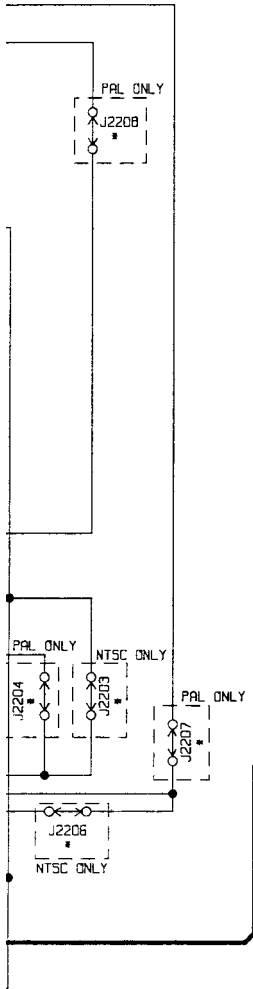


# CAPSTAN SERVO-2 SCHEMATIC DIAGRAM 8/11 (E3: Page CBA-5)



	AG-8700	AG-8600
IC2201	MNI9041VMCX	MNI9041VMCX
J2203		
J2204	0	0
J2205	0	0
J2206		
J2207	0	0
J2208	0	0
J2209	0	0
J2210	0	0
J2211	0	0
J2212	0	0
R2243		
R2244		





P2201 VJS3202B020Z

1	TRAC_VRC(+)	1-1	4/11
2	TRAC_VRC(-)	1-2	4/11
3	-29V	-29V	1/11
4	HEATER(-)	1-4	1/11
5	HEATER(+)	1-5	1/11
6	ADV_SYNC	1-6	4/11
7	REF_PALP	1-7	8/11
8	REC_FRM	1-8	4/11
9	CAP_FWL(L)	1-9	7/11
10	CTL_PULSE	1-10	5/11
11	CYL_PFG	CYLPFG	4/11
12	CAP_FG2	1-12	7/11
13	CAP_FG1	1-13	7/11
14	SCKD	SCKD	1/11
15	SDA	1-15	1/11
16	PB_FRM(SIB1)	1-16	4/11
17	REC_PALP(A_DATA)	1-17	8/11
18	B/W(L)	1-18	1/11
19	COLOR(L)	1-19	1/11
20	TRICK(L)	1-20	4/11

P2202 VJS3202B020Z

1	V_EE(H)	2-1	1/11
2	SYNC_EXT(L)	2-2	4/11
3	V_HSW	2-3	4/11
4	V_REC(L)	2-4	1/11
5	SYS_RESET	2-5	1/11
6	REC_HSS	2-6	4/11
7	RELEY(L)	2-7	1/11
8	PB_HSS	2-8	4/11
9	FM_REC(H)	2-9	1/11
10	A_COLOR(L)	2-10	8/11
11	PB_HD	2-11	4/11
12	A_DUB(L)	2-12	1/11
13	PB_PALP(A_CLK)	2-13	8/11
14	TBC_ON_H	2-14	4/11
15	S_CRASS(H)	SCRSS_H	1/11
16	REF(X)	2-16	4/11
17	A_GND	AGND	4/11
18	TL_SW(L)	2-18	7/11
19	SYS_IF	SB11	1/11
20	TC_CLK	2-20	4/11

P2203 VJS3202B020Z

1	SYS_SYS	SB01	1/11
2	M_NORMAL(H)	3-2	6/11
3	SYS_CLK	SBT1	1/11
4	M_WIDE(H)	3-4	6/11
5	CO_WIDE(L)	3-5	6/11
6	FW(L)	3-6	7/11
7	FLY_OSC	3-7	1/11
8	V_ERSR	3-8	1/11
9	V_ERSL	3-9	1/11
10	FM_HSW	3-10	4/11
11	A_CLK	3-11	1/11
12	A_DATA	3-12	1/11
13	A_LATCH	3-13	1/11
14	A_ENABLE	3-14	1/11
15	S_VIDEO(L)	3-15	4/11
16	CPN(L)	3-17	6/11
17	CI_WIDE(L)	3-18	1/11
18	A_MASK	FAN(+)	1/11
19	FAN(+)	FAN(+)	1/11
20	FAN(-)	FAN(-)	1/11

TO CAP(1)

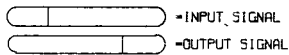
AMX11	AMX11	7/11
AMX4	AMX 4	7/11
AMX3	AMX 3	7/11
AMX2	AMX 2	7/11
AMX1	AMX 1	7/11
AMX0	AMX 0	7/11
AS	AS	7/11
RW	R/W	7/11
TL SW	TL SW	7/11

CAPSTAN SERVO-2 DC VOLTAGE CHART

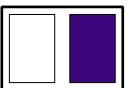
REF. NO.		IC2201									
MODE		1	2	3	4	5	6	7	8	9	10
STOP		0	0	5.1	5.1	0	0	0	0	3.1	2.4
REC		0	0	5.1	5.1	0	0	0	0	3.1	2.4
F.F		0	0	5.2	5.2	0	0	0	0	3.1	2.2
REF. NO.		IC2201									
MODE		11	12	13	14	15	16	17	18	19	20
STOP		2.6	2.1	2.4	5.1	5.1	5.1	5.1	4.9	3.1	4.2
REC		2.6	2.1	2.4	5.1	5.1	5.1	5.1	4.9	2.8	4.2
F.F		2.7	2.1	2.4	5.2	5.2	5.2	5.2	5.0	3.2	4.3
REF. NO.		IC2201									
MODE		21	22	23	24	25	26	27	28	29	30
STOP		0	0	0	0	0	0	0.1	0.1	0.1	0.1
REC		0	0	2.5	0	5.1	0	0.1	0.1	0.1	0.1
F.F		0	0	5.1	0	0	0	0.2	0.2	0.2	0.2
REF. NO.		IC2201									
MODE		31	32	33	34	35	36	37	38	39	40
STOP		0.1	0.1	0.1	0.1	0.1	0.1	0.5	0.1	2.6	0.1
REC		0.1	0.1	0.1	0.1	0.1	0.1	5.0	0.1	2.6	0.1
F.F		0.1	0.1	0.1	0.1	0.1	0.1	5.1	0.2	2.6	0.1
REF. NO.		IC2201									
MODE		41	42	43	44	45	46	47	48	49	50
STOP		2.4	0	5.1	2.5	4.7	4.3	3.0	4.3	3.0	3.0
REC		2.5	0	5.1	3.0	4.3	3.6	4.0	3.6	3.7	3.7
F.F		2.4	0	5.2	3.7	2.9	2.9	2.9	2.9	2.9	2.9
REF. NO.		IC2201									
MODE		51	52	53	54	55	56	57	58	59	60
STOP		3.0	2.5	4.0	3.8	3.6	2.6	2.5	2.7	3.6	5.1
REC		3.5	2.9	4.0	3.0	3.7	3.5	3.7	4.2	4.2	5.1
F.F		2.9	3.1	3.1	3.3	3.7	2.2	4.0	3.7	3.9	5.2
REF. NO.		IC2201									
MODE		61	62	63	64	65	66	67	68	69	70
STOP		5.1	5.1	0	0	0	0	0	5.1	5.1	5.1
REC		5.1	5.1	0	0	0	0	0	5.1	5.1	5.1
F.F		5.2	5.2	0	0	0	0	0	5.2	5.2	5.2
REF. NO.		IC2201									
MODE		71	72	73	74	75	76	77	78	79	80
STOP		0	0.9	0.9	0.8	0.9	4.1	4.6	3.8	4.7	4.7
REC		0	2.4	2.8	3.7	2.1	1.9	1.2	4.3	4.6	4.6
F.F		0	0.3	0.4	1.0	0.8	4.5	4.7	3.9	4.7	4.7
REF. NO.		IC2201									
MODE		81	82	83	84						
STOP		0	0	0.5	5.1						
REC		0	0	0.5	5.1						
F.F		0	0	0.5	5.2						

AG-8600  
SD41VMCX

0
0
0
0
0
0
0
0
0
0
0

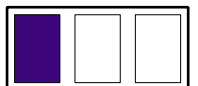
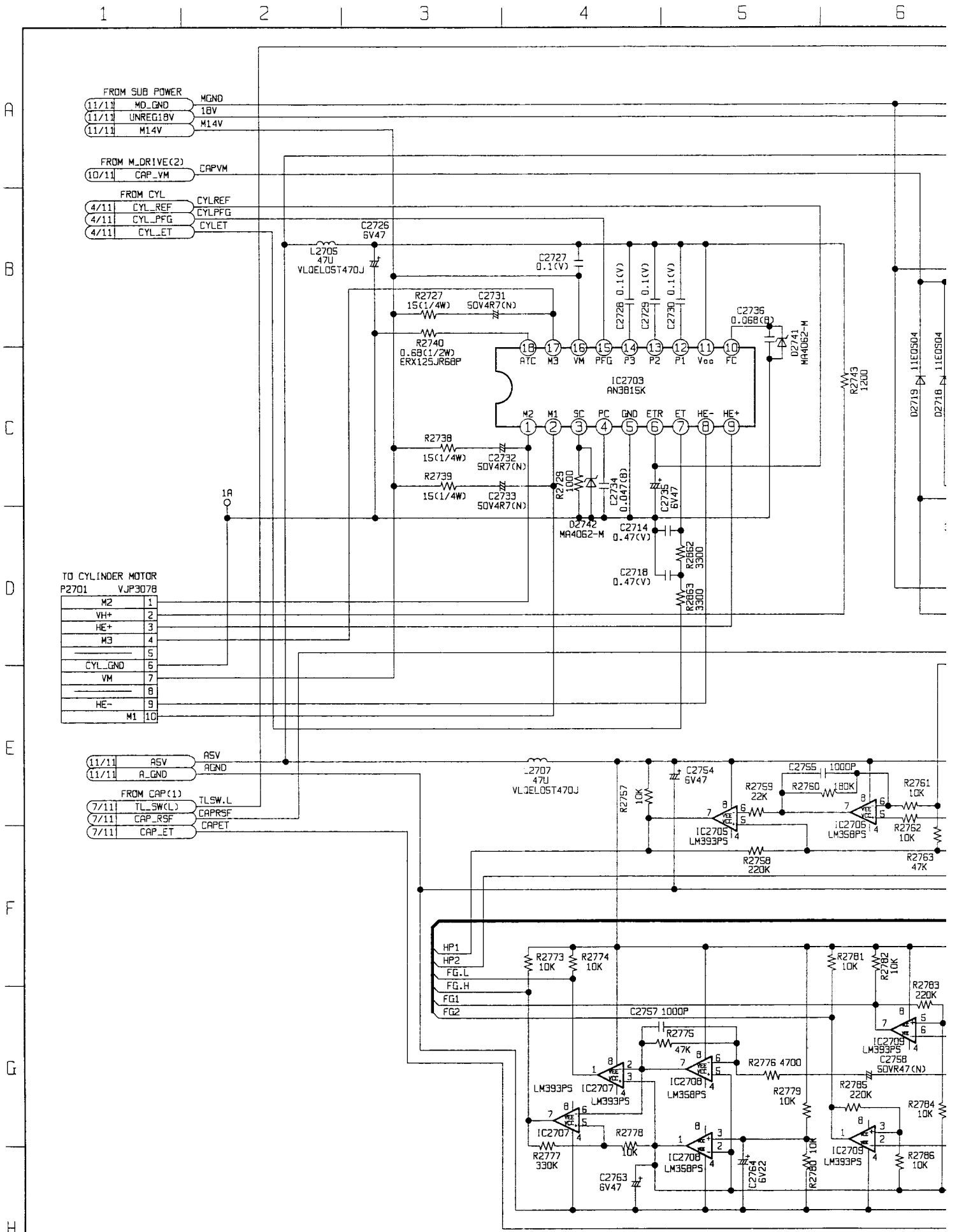


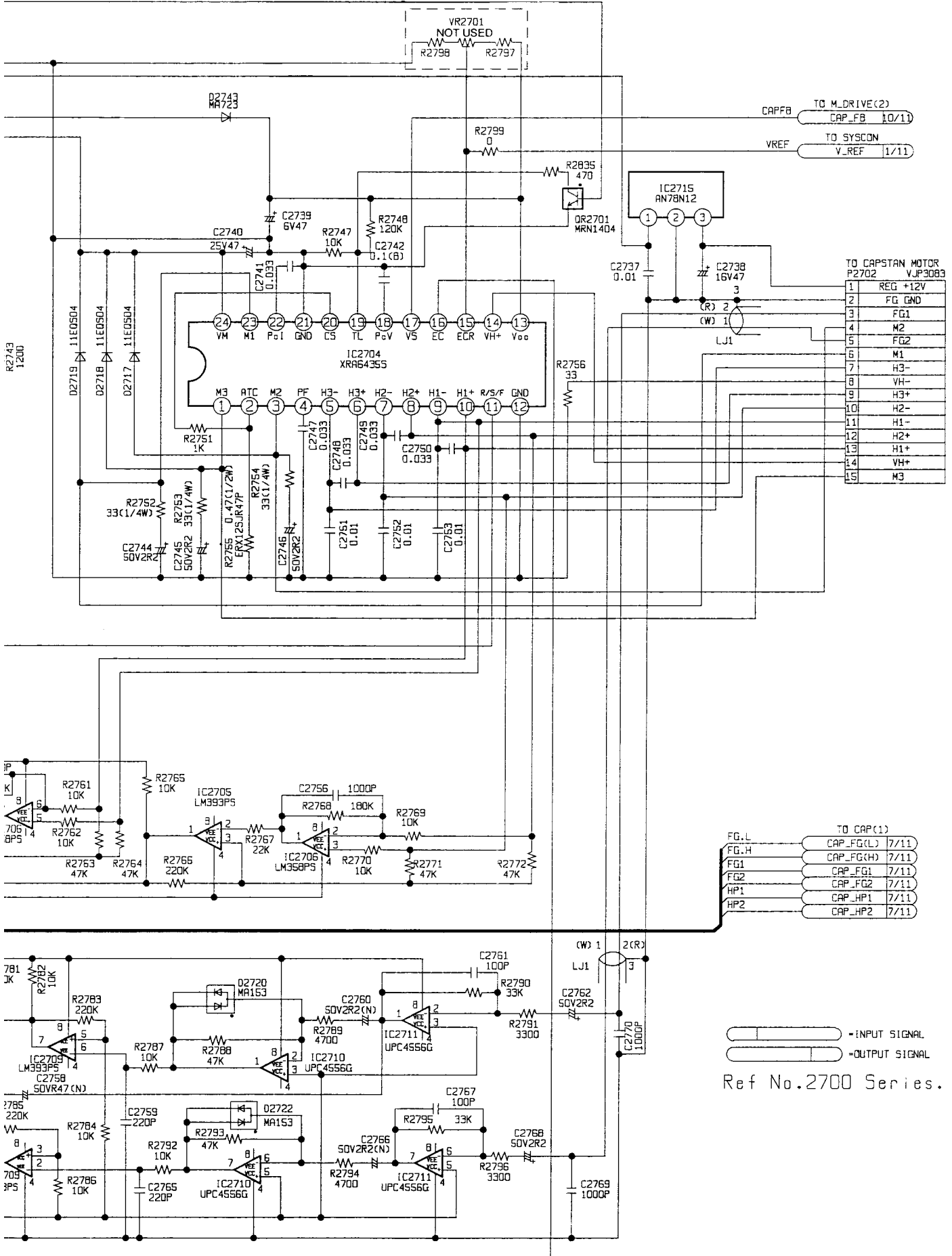
REFER TO THE COMPARISON CHART  
Ref No.2200 Series.



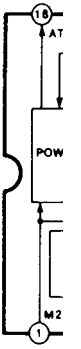


# MOTOR DRIVE-1 SCHEMATIC DIAGRAM 9/11 (E3: Page CBA-5)

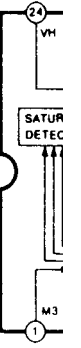




IC270  
AN38



IC270  
XRA6



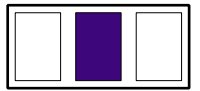
TO CAPSTAN MOTOR  
P2702 VJP3083

1	REG +12V
2	FG GND
3	FG1
4	M2
5	FG2
6	M1
7	H3-
8	VH+
9	H3+
10	H2-
11	H1-
12	H2+
13	H1+
14	VH+
15	M3

TO CAP(1)

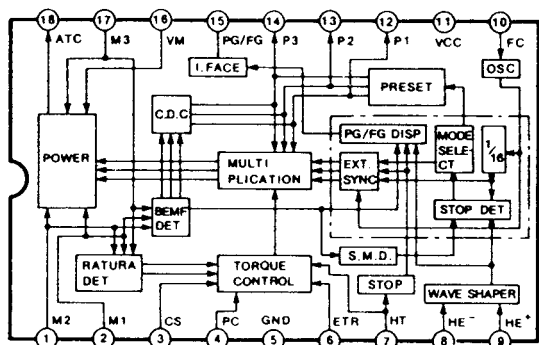
FG.L	CAP_FG(L)	7/11
FG.H	CAP_FG(H)	7/11
FG1	CAP_FG1	7/11
FG2	CAP_FG2	7/11
HP1	CAP_HP1	7/11
HP2	CAP_HP2	7/11

Ref No.2700 Series.

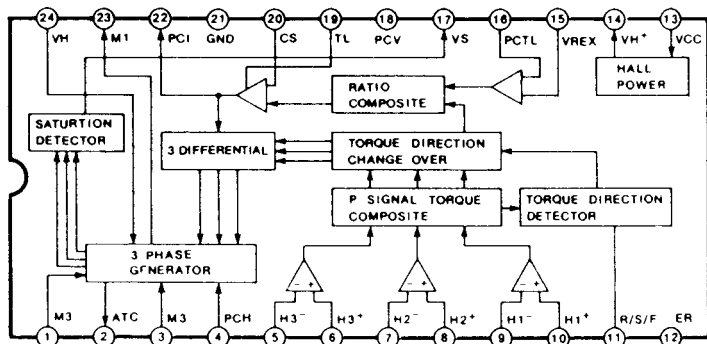


# MOTOR DRIVE-1 DC VOLTAGE CHART

IC2703  
AN3815K



IC2704  
XRA6435S



REF. NO.	IC2703									
MODE	1	2	3	4	5	6	7	8	9	10
STOP	14.7	14.7	0.4	1.1	0	2.5	2.4	0.6	0.5	2.6
REC	14.7	14.7	0.4	1.1	0	2.5	2.4	0.6	0.5	2.6
F.F	14.7	14.8	0.4	1.1	0	2.5	2.4	0.6	0.5	2.6

REF. NO.	IC2703							
MODE	11	12	13	14	15	16	17	18
STOP	5.0	3.6	3.6	3.6	1.1	14.9	14.7	0.1
REC	5.0	3.6	3.6	3.6	1.1	15.0	14.7	0.1
F.F	5.0	3.6	3.6	3.6	1.1	14.9	14.7	0.1

REF. NO.	IC2704									
MODE	1	2	3	4	5	6	7	8	9	10
STOP	2.0	0	2.0	1.4	1.9	1.9	1.9	1.9	1.9	1.9
REC	0.9	0	0.9	1.4	1.9	1.9	1.9	1.9	1.9	1.9
F.F	1.9	0	2.0	1.4	1.9	1.9	1.9	1.9	1.9	1.9

REF. NO.	IC2704									
MODE	11	12	13	14	15	16	17	18	19	20
STOP	5.1	0	4.7	3.4	2.4	2.4	2.7	0	0	0
REC	0	0	4.7	3.4	2.4	2.1	2.8	0.6	0.4	0.1
F.F	0	0	4.7	3.4	2.4	2.4	2.7	0	0	0

REF. NO.	IC2704			
MODE	21	22	23	24
STOP	0	0	1.8	4.0
REC	0	0.7	0.7	4.0
F.F	0	0	1.8	4.0

REF. NO.	IC2705							
MODE	1	2	3	4	5	6	7	8
STOP	0	3.2	1.7	0	1.7	2.0	0	5.0
REC	2.6	2.0	2.0	0	2.0	2.0	2.6	5.0
F.F	5.0	0.6	2.2	0	1.7	3.5	0	5.0

REF. NO.	IC2706							
MODE	1	2	3	4	5	6	7	8
STOP	3.2	1.9	1.9	0	1.9	1.9	2.0	5.0
REC	2.0	1.9	1.9	0	1.9	1.9	2.0	5.0
F.F	0.6	1.9	1.9	0	1.9	1.9	3.5	5.0

REF. NO.	IC2707							
MODE	1	2	3	4	5	6	7	8
STOP	2.1	2.5	2.5	0	2.4	2.5	0	5.0
REC	2.5	2.5	2.5	0	2.5	2.5	2.5	5.0
F.F	2.1	2.5	2.5	0	2.5	2.5	0	5.0

REF. NO.	IC2708							
MODE	1	2	3	4	5	6	7	8
STOP	2.5	2.5	2.5	0	2.5	2.5	2.5	5.0
REC	2.5	2.5	2.5	0	2.5	2.5	2.5	5.0
F.F	2.5	2.5	2.5	0	2.5	2.5	2.5	5.0

REF. NO.	IC2709							
MODE	1	2	3	4	5	6	7	8
STOP	5.0	2.5	2.4	0	2.4	2.5	4.5	5.0
REC	2.3	2.5	2.5	0	2.5	2.5	2.3	5.0
F.F	0.1	2.5	2.4	0	2.4	2.5	4.5	5.0

REF. NO.	IC2710							
MODE	1	2	3	4	5	6	7	8
STOP	2.5	2.5	2.5	0	2.5	2.5	2.5	5.0
REC	2.5	2.5	2.5	0	2.5	2.5	2.5	5.0
F.F	2.5	2.5	2.5	0	2.5	2.5	2.5	5.0

REF. NO.	IC2711							
MODE	1	2	3	4	5	6	7	8
STOP	2.5	2.5	2.5	0	2.5	2.5	2.5	5.0
REC	2.5	2.5	2.5	0	2.5	2.5	2.5	5.0
F.F	2.5	2.5	2.5	0	2.5	2.5	2.5	5.0

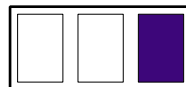
REF. NO.	IC2715		
MODE	I	G	O
STOP	18.4	0	12.0
REC	18.4	0	12.0
F.F	18.3	0	12.0

REF. NO.	QR2701		
MODE	E	C	B
STOP	0	0	5.1
REC	0	0.4	0
F.F	0	0	5.2

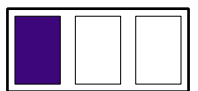
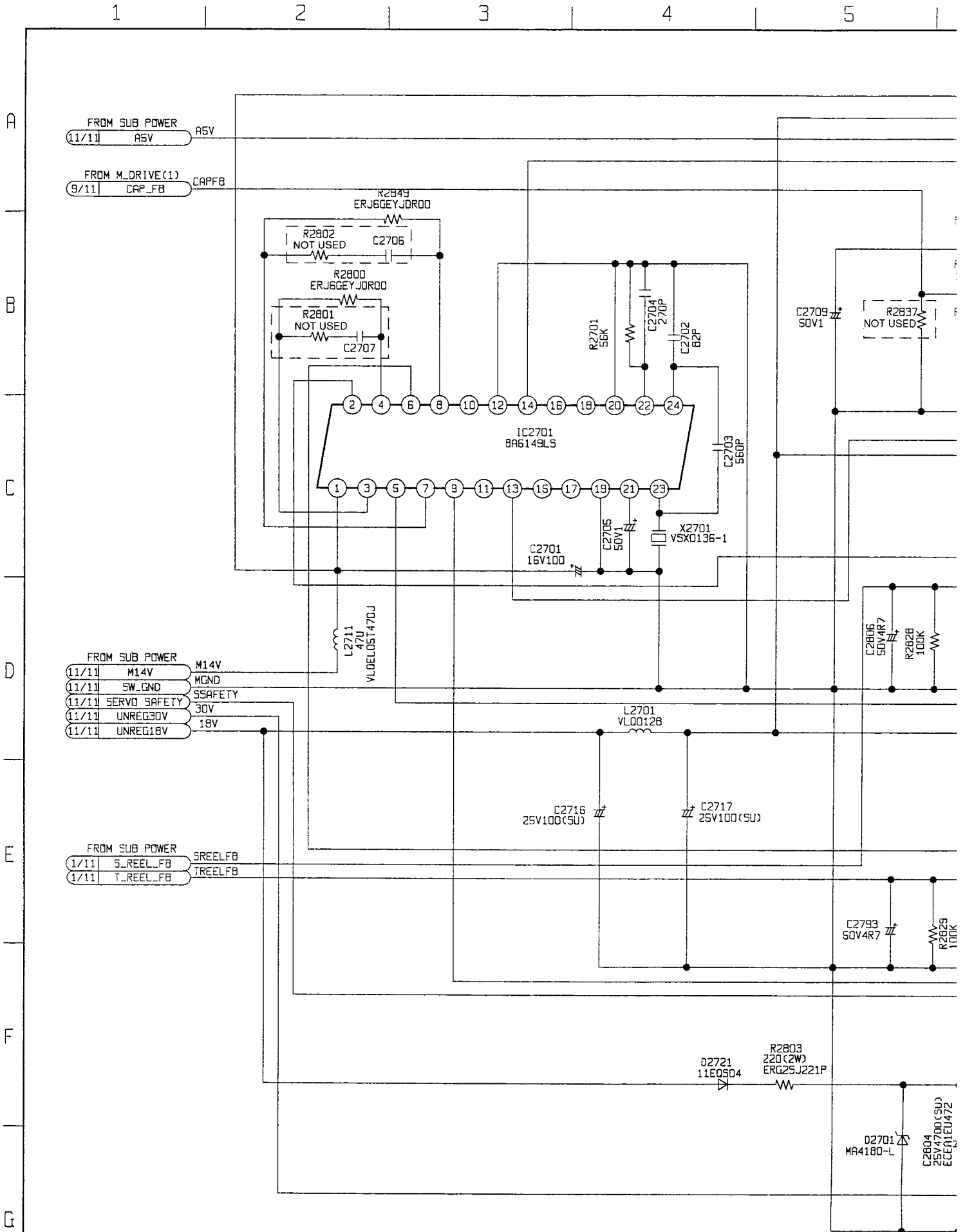
MOTOR JF3083  
12V  
VD

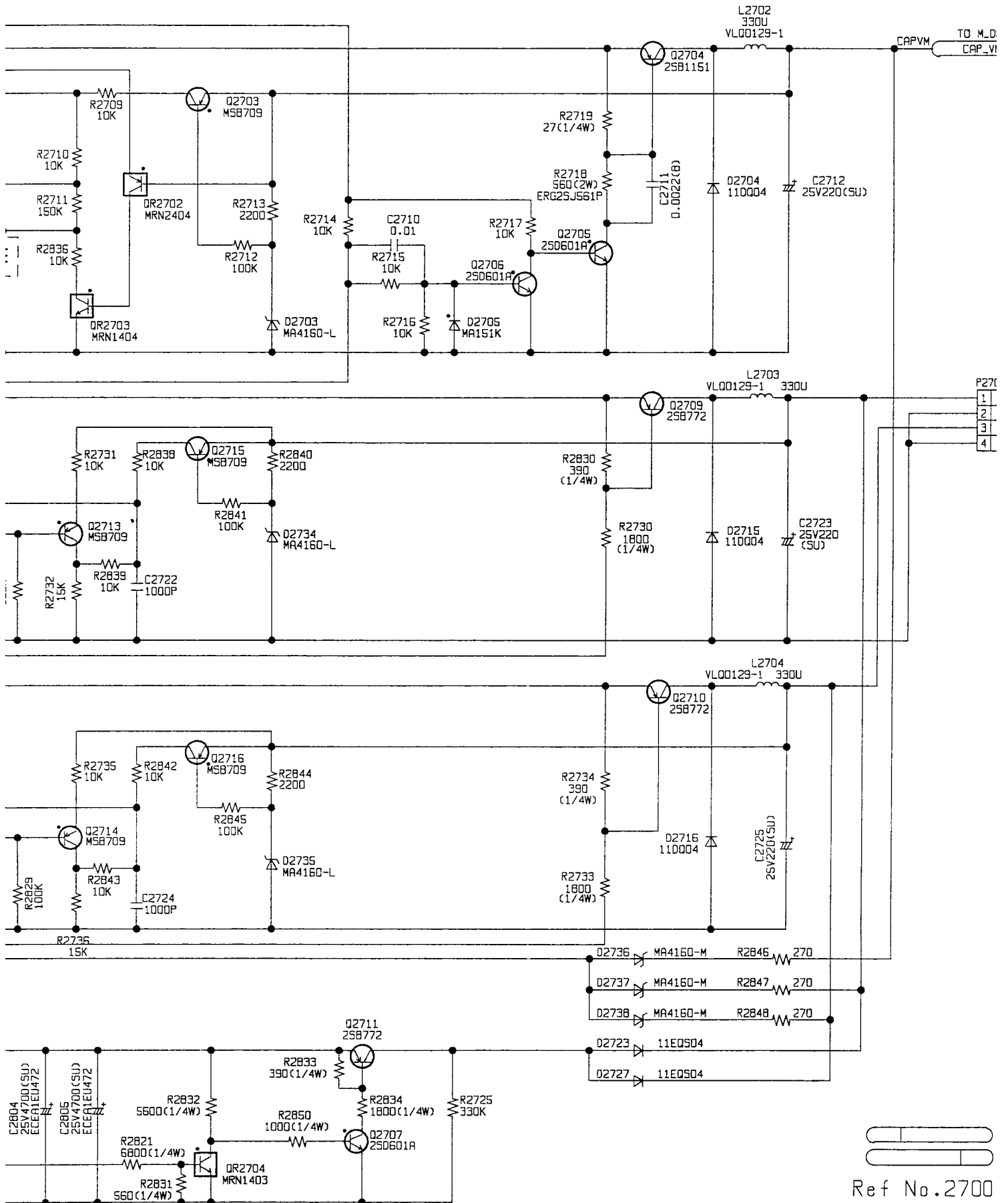
VRL  
VRL

ES.

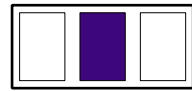


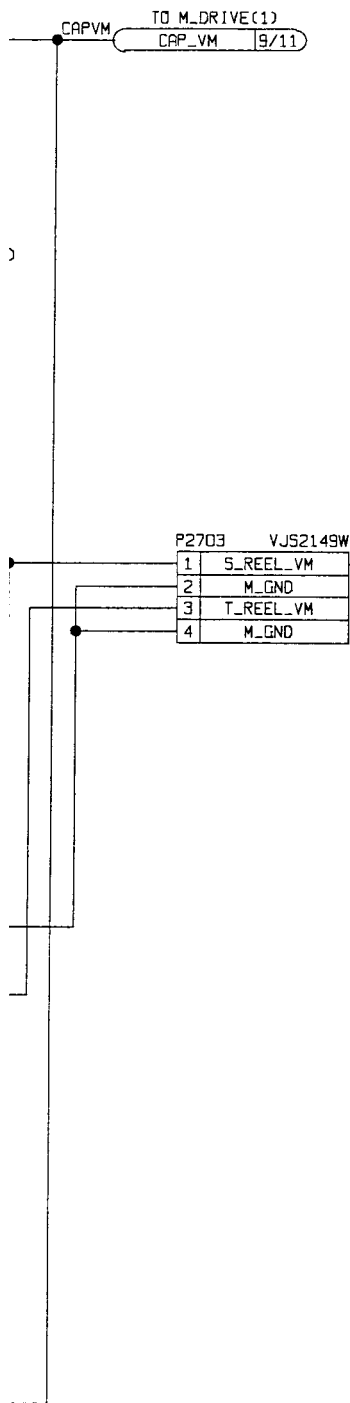
# MOTOR DRIVE-2 SCHEMATIC DIAGRAM 10/11 (E3: Page CBA-5)





Ref No.2700

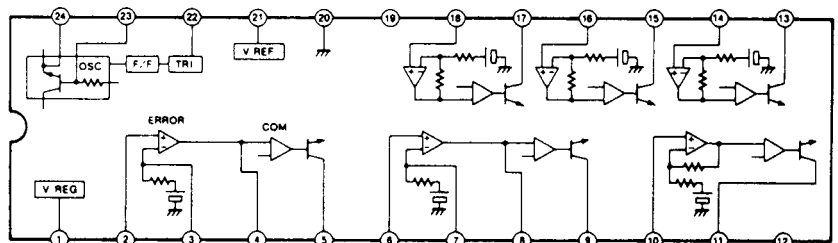




### MOTOR DRIVE-2 DC VOLTAGE CHART

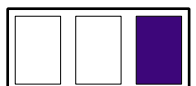
REF. NO.	IC2701									
MODE	1	2	3	4	5	6	7	8	9	10
STOP	14.9	2.9	3.3	3.0	18.9	2.9	3.2	3.2	18.0	0
REC	14.9	2.9	3.3	3.0	18.1	2.9	2.9	2.9	17.8	0.1
F.F	14.9	2.8	2.9	2.9	17.8	2.7	2.7	2.7	12.3	0.1
REF. NO.	IC2701									
MODE	11	12	13	14	15	16	17	18	19	20
STOP	0	0	6.1	2.7	0.5	0	0.5	0	0	0
REC	0.1	0	2.1	2.8	0.5	0.1	0.5	0.1	0	0
F.F	0.1	0	6.1	2.7	0.5	0.1	0.5	0.1	0	0
REF. NO.	IC2701									
MODE	21	22	23	24						
STOP	2.6	2.5	2.9	2.7						
REC	2.6	2.5	2.9	2.7						
F.F	2.6	2.5	2.9	2.8						
REF. NO.	Q2703			Q2704			Q2705			
MODE	E	C	B	E	C	B	E	C	B	
STOP	4.0	2.8	4.0	17.9	4.0	17.7	0	17.4	0	
REC	4.0	2.8	4.0	17.9	12.4	17.7	0	16.8	0.1	
F.F	4.0	2.8	4.0	17.9	4.0	17.7	0	17.1	0	
REF. NO.	Q2706			Q2707			Q2709			
MODE	E	C	B	E	C	B	E	C	B	
STOP	0	0.2	0.7	0	17.0	0.1	17.8	5.5	17.3	
REC	0	0.1	0.5	0	17.0	0.1	17.9	11.8	17.7	
F.F	0	0	0.7	0	16.7	0.1	17.8	17.0	17.3	
REF. NO.	Q2710			Q2711			Q2713			
MODE	E	C	B	E	C	B	E	C	B	
STOP	17.8	5.6	17.4	17.5	1.2	17.5	2.9	2.9	2.4	
REC	17.9	11.9	17.7	17.0	2.9	17.0	3.0	3.0	2.4	
F.F	17.8	7.1	17.4	17.0	2.0	17.0	3.6	2.8	3.3	
REF. NO.	Q2714			Q2715			Q2716			
MODE	E	C	B	E	C	B	E	C	B	
STOP	2.9	2.9	2.4	5.2	2.9	4.9	5.1	2.9	4.9	
REC	3.7	2.9	3.1	4.9	2.9	4.8	4.9	2.8	4.8	
F.F	5.3	2.7	4.5	15.3	2.9	15.9	13.0	2.7	11.0	
REF. NO.	QR2702			QR2703			QR2704			
MODE	E	C	B	E	C	B	E	C	B	
STOP	5.0	1.4	4.0	0	1.6	1.2	0	0.1	2.4	
REC	5.0	1.4	4.0	0	1.6	1.4	0	0.1	2.5	
F.F	5.0	1.2	4.0	0	1.8	1.2	0	0.1	2.4	

### IC2701 BA6149LS

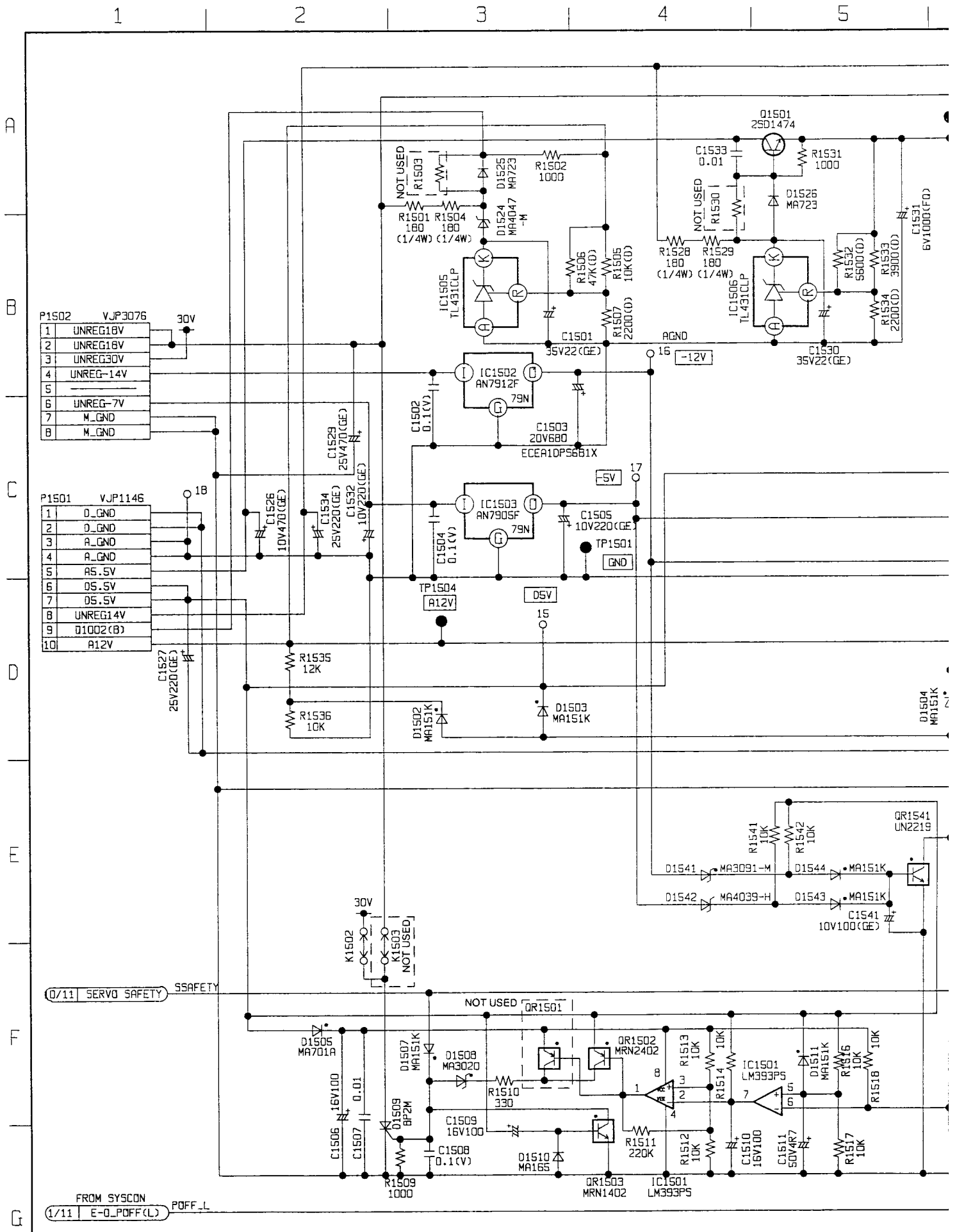


-INPUT SIGNAL  
 -OUTPUT SIGNAL

ef No.2700 Series.

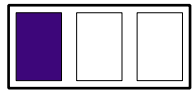


# SUB POWER SCHEMATIC DIAGRAM 11/11 (E3: Page CBA-5)

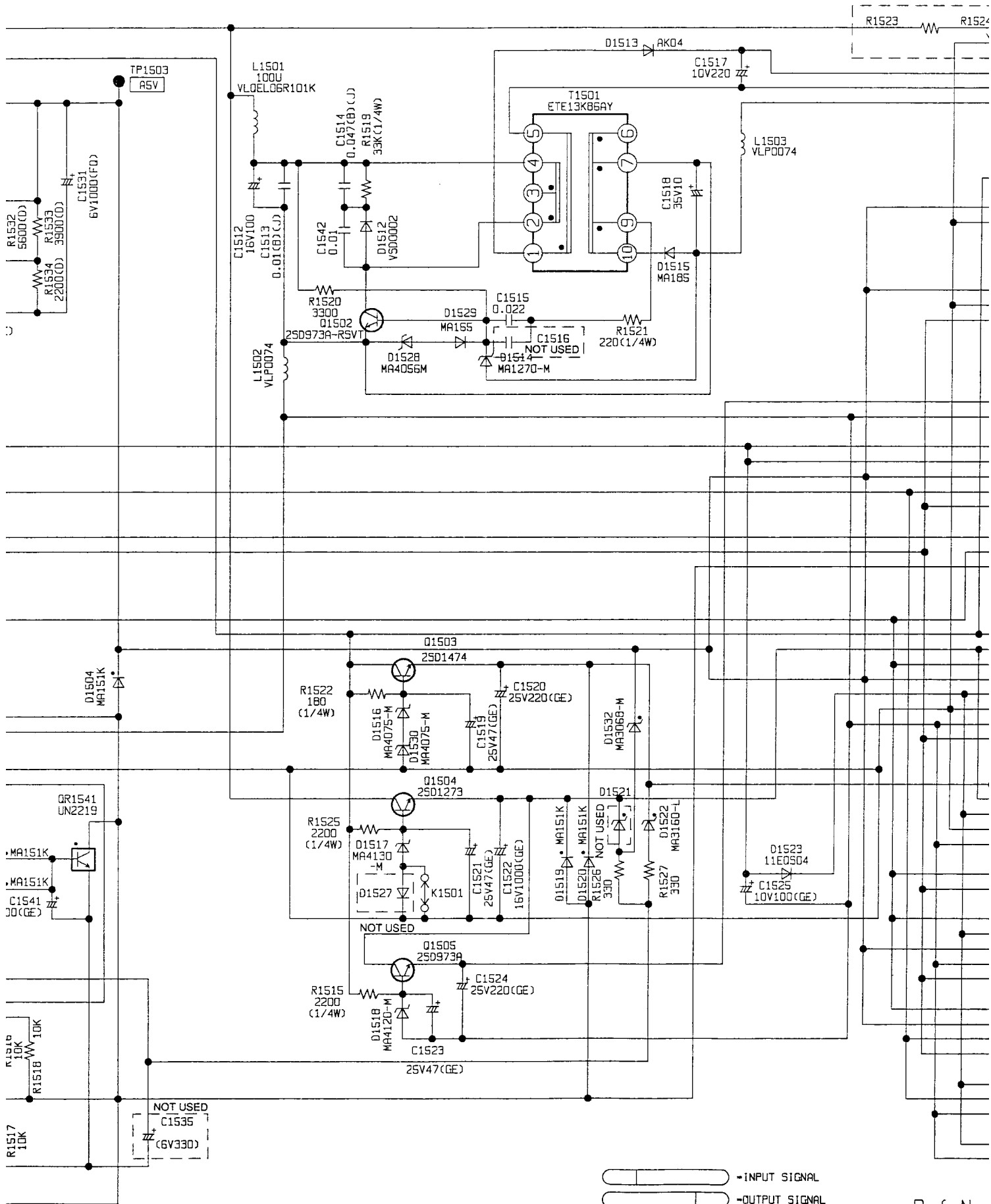


Q/11 SERVO SAFETY SSAFETY

FROM SYSCON POFF\_L  
1/11 E-O\_POFF(L)

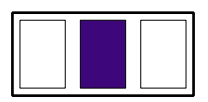


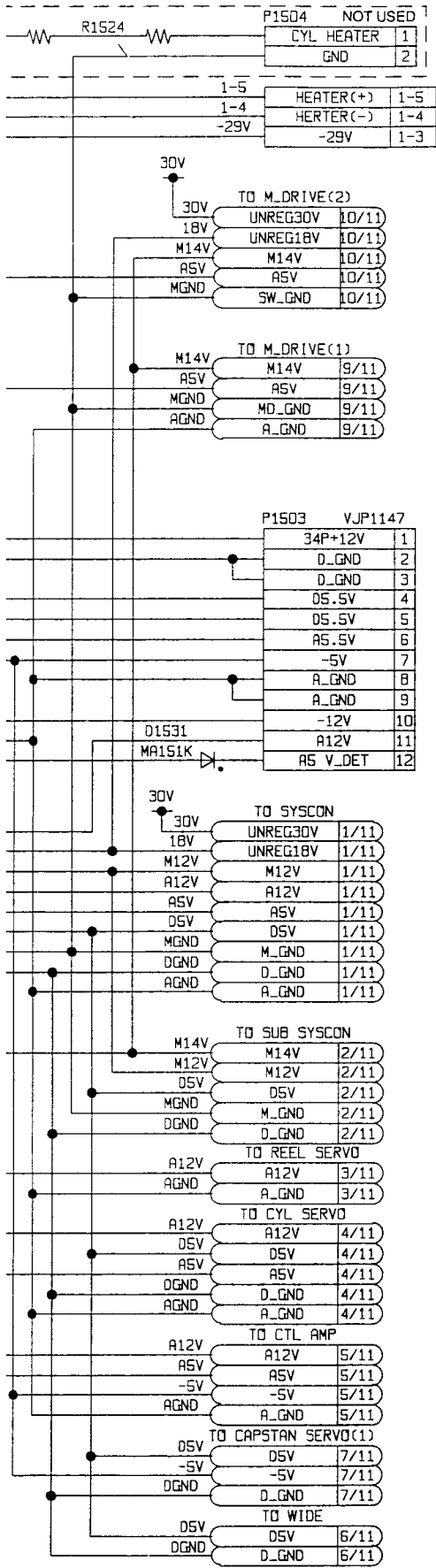




-INPUT SIGNAL  
 -OUTPUT SIGNAL

Ref No.

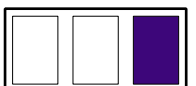




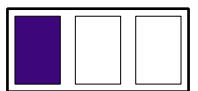
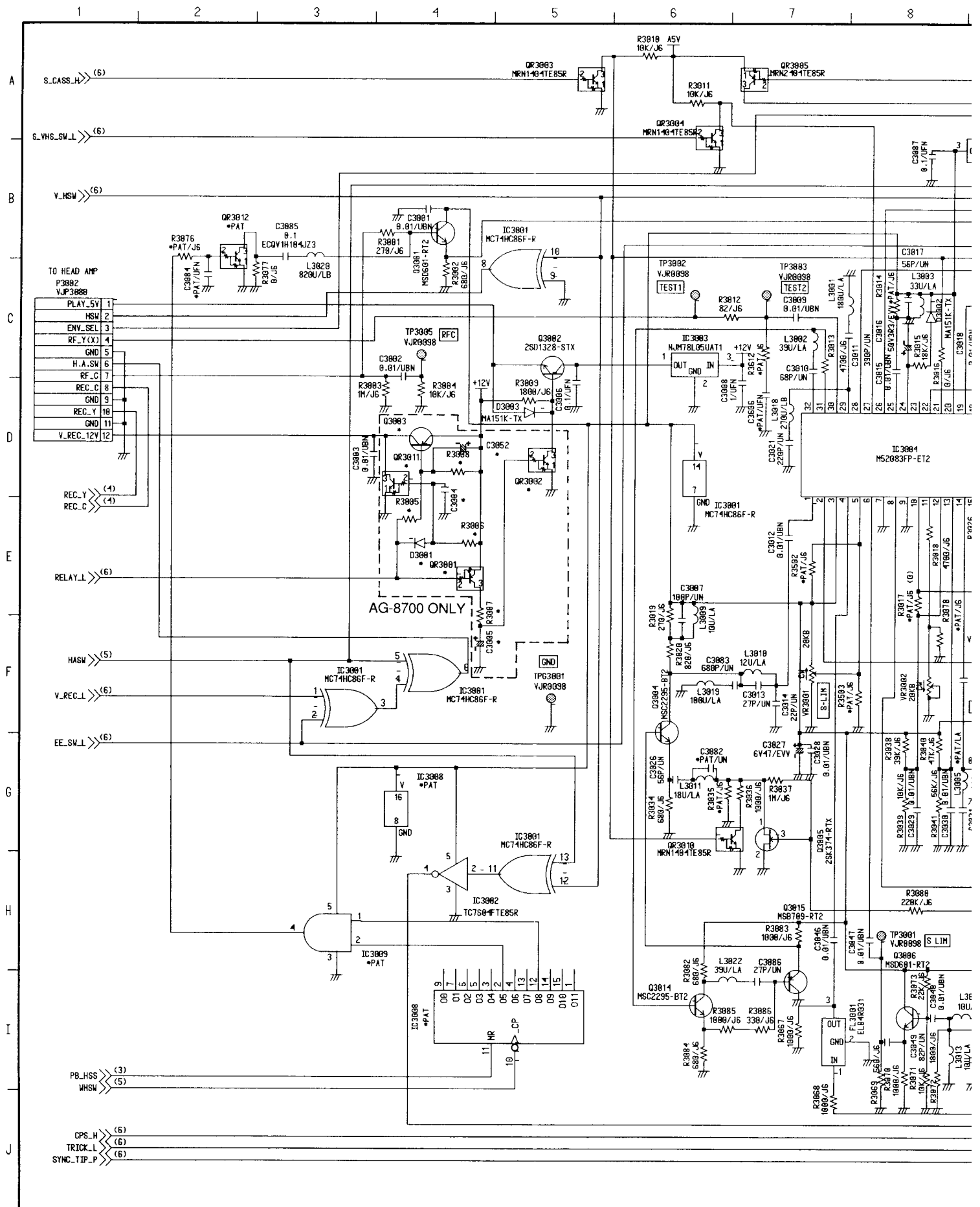
### SUB POWER DC VOLTAGE CHART

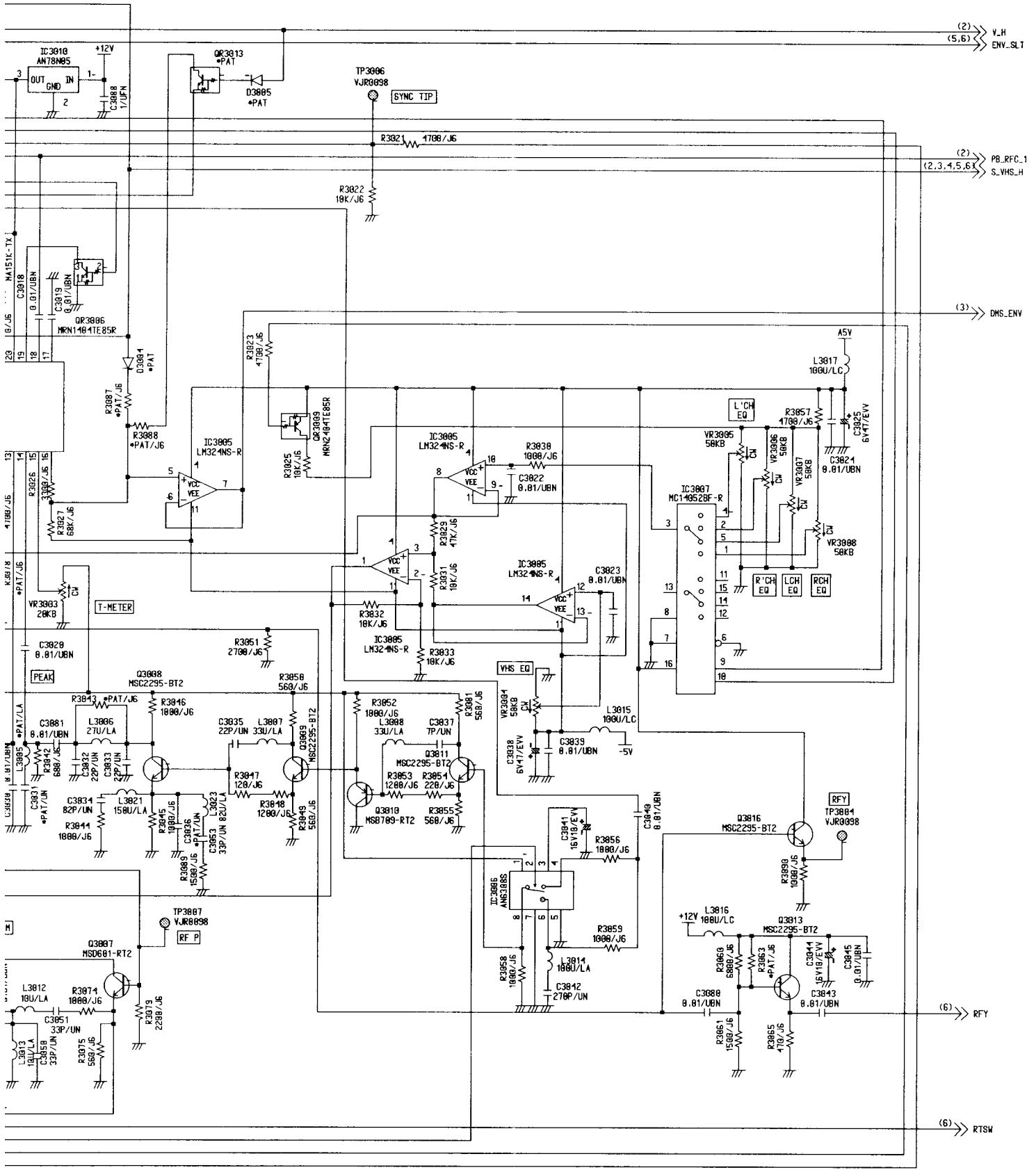
REF. NO.	IC1501								
MODE	1	2	3	4	5	6	7	8	
STOP	5.3	0.1	2.7	0	2.7	5.3	0.1	5.3	
REC	5.2	0.1	2.7	0	2.7	5.3	0.1	5.3	
F.F	5.3	0.1	2.7	0	2.7	5.3	0.1	5.3	
REF. NO.	IC1502			IC1503					
MODE	G	I	O	G	I	O			
STOP	0	-13.7	-12.2	0	-7.0	-5.0			
REC	0	-13.7	-12.2	0	-7.0	-5.0			
F.F	0	-13.7	-12.2	0	-6.9	-5.0			
REF. NO.	IC1505			IC1506					
MODE	K	A	R	K	A	R			
STOP	7.7	0	2.5	5.9	0	2.5			
REC	7.7	0	2.5	5.9	0	2.5			
F.F	7.7	0	2.5	5.9	0	2.5			
REF. NO.	Q1501			Q1502			Q1503		
MODE	E	C	B	E	C	B	E	C	B
STOP	5.1	5.4	5.7	0	1.6	-3.0	14.8	18.3	15.4
REC	5.1	5.4	5.7	0	1.5	-3.0	15.0	18.5	15.5
F.F	5.1	5.4	5.7	0	1.5	-2.8	15.0	18.1	15.4
REF. NO.	Q1504			Q1505					
MODE	E	C	B	E	C	B			
STOP	13.0	13.6	13.5	12.0	13.0	12.3			
REC	13.0	13.4	13.5	12.0	12.9	12.3			
F.F	13.0	13.5	13.5	12.0	12.9	12.3			
REF. NO.	QR1502			QR1503			QR1541		
MODE	E	C	B	E	C	B	E	C	B
STOP	5.5	0	5.2	0	0	0	0	5.3	0
REC	5.5	0	5.2	0	0	0	0	5.3	0
F.F	5.5	0	5.2	0	0	0	0	5.3	0

Ref No.1500 Serie.

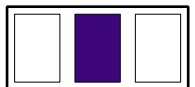


# VIDEO I/O-1 SCHEMATIC DIAGRAM 1/7 (E5: Page CBA-8)





\*PAT= PATTERN ONLY  
 \*\*REFER TO THE COMPARISON CHART  
 Ref No.3000 Series.



# VIDEO I/O-1 DC VOLTAGE CHART

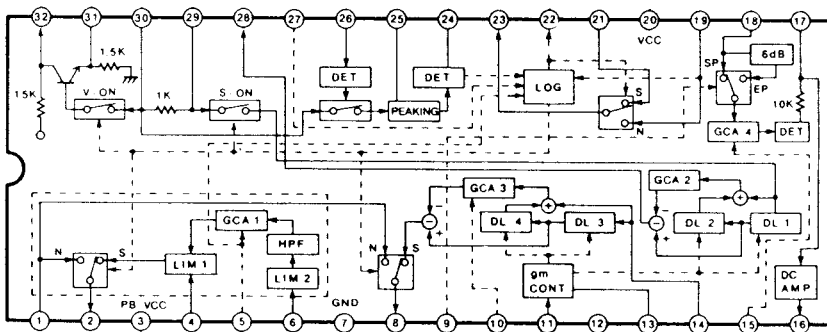
REF. NO.		IC3001																			
MODE	1	2	3	4	5	6	7	8	9	10	11	12	13	14							
STOP	3.7	0	5.0	5.0	0	5.0	0	2.5	0	2.5	2.5	2.5	0	5.0							
REC	0.1	0	0	0	0	0	0	2.5	0	2.5	2.5	2.5	0	5.0							
REF. NO.		IC3002										IC3003									
MODE	1	2	3	4	5						I	G	O								
STOP	0	2.5	0	2.5	5.0						11.5	0	5.1								
REC	0	2.5	0	2.5	5.0						11.5	0	5.1								
REF. NO.		IC3004																			
MODE	1	2	3	4	5	6	7	8	9	10	11	12	13	14	15	16	17	18	19	20	
STOP	3.7	2.2	5.0	3.1	2.4	2.8	0	2.2	0	1.4	2.9	1.1	2.7	3.9	2.2	0.6	3.3	3.0	2.5	5.0	
REC	3.7	2.2	5.0	3.1	2.4	2.8	0	2.2	0	1.4	2.9	1.1	2.7	3.9	2.2	0.3	3.2	3.0	2.5	5.0	
REF. NO.		IC3004																			
MODE	21	22	23	24	25	26	27	28	29	30	31	32									
STOP	0	4.9	0.2	2.8	3.9	0.2	4.9	2.7	2.8	3.6	0	5.0									
REC	0.1	4.9	0.2	2.7	3.9	0.2	4.9	2.7	2.8	3.6	0	5.0									
REF. NO.		IC3005																			
MODE	1	2	3	4	5	6	7	8	9	10	11	12	13	14							
STOP	-0.9	-0.4	-0.4	4.9	0.2	0.2	0.2	1.4	1.4	1.4	-5.0	-0.8	-0.8	-0.8							
REC	-0.9	-0.4	-0.4	4.9	0	0	0	1.4	1.4	1.4	-5.0	-0.8	-0.8	-0.8							
REF. NO.		IC3006																			
MODE	1	2	3	4	5	6	7	8													
STOP	5.0	4.2	2.5	2.6	0	2.6	0	2.5													
REC	5.0	4.2	2.5	2.6	0	2.6	0	2.5													
REF. NO.		IC3007																			
MODE	1	2	3	4	5	6	7	8	9	10	11	12	13	14	15	16					
STOP	1.4	1.0	1.4	1.3	1.4	0	0	0	0	2.5	0.2	0.2	0.2	0.2	0.5	4.9					
REC	1.4	1.0	1.4	1.3	1.4	0	0	0	0	2.5	0	0	0	0	0	4.9					
REF. NO.		IC3010																			
MODE	I	G	O																		
STOP	11.5	0	5.0																		
REC	11.5	0	5.0																		
REF. NO.		Q3001			Q3002			Q3003			Q3004			Q3005			Q3006				
MODE	E	C	B	E	C	B	E	C	B	E	C	B	S	G	D	E	C	B			
STOP	1.6	5.0	2.3	5.1	5.1	5.6	11.5	0	11.5	0.1	5.0	0.7	0	-0.7	0	0.9	5.0	1.5			
REC	0	5.0	0	0.3	5.1	0	11.5	11.3	10.7	0.1	5.0	0.7	0	-0.7	0	0.9	5.0	1.5			
REF. NO.		Q3007			Q3008			Q3009			Q3010			Q3011			Q3013				
MODE	E	C	B	E	C	B	E	C	B	E	C	B	E	C	B	E	C	B			
STOP	1.6	5.0	2.3	1.0	4.0	1.7	1.7	3.3	2.4	2.4	0	1.8	1.8	3.2	2.5	1.5	11.5	2.1			
REC	1.6	5.0	2.3	1.0	4.0	1.7	1.7	3.3	2.4	2.4	0	1.8	1.8	3.2	2.5	1.4	11.5	2.1			
REF. NO.		Q3014			Q3015																
MODE	E	C	B	E	C	B															
STOP	0	5.0	0	0.7	0	0															
REC	0	5.0	0	0.7	0	0															
REF. NO.		QR3001			QR3002			QR3003			QR3004			QR3005			QR3006				
MODE	E	C	B	E	C	B	E	C	B	E	C	B	E	C	B	E	C	B			
STOP	11.5	0	11.5	0	5.8	0	0	0.1	3.0	0	4.9	0	4.9	0	4.9	0	2.5	0			
REC	11.5	11.5	0	0	0	7.7	0	0.1	3.0	0	4.9	0	4.9	0	4.9	0	2.5	0			
REF. NO.		QR3009			QR3010			QR3011													
MODE	E	C	B	E	C	B	E	C	B												
STOP	4.9	4.9	3.5	0	0	0.1	0	0	7.8												
REC	4.9	4.9	3.5	0	0	0.1	0	0	11.3	0.5											

(2) V\_H  
(5,6) ENV\_SLT

(2) PB\_RFC\_1  
(2,3,4,5,6) S\_VHS\_H

(3) DHS\_ENV

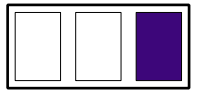
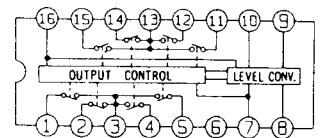
IC3004  
M52083FP



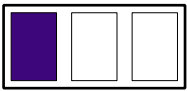
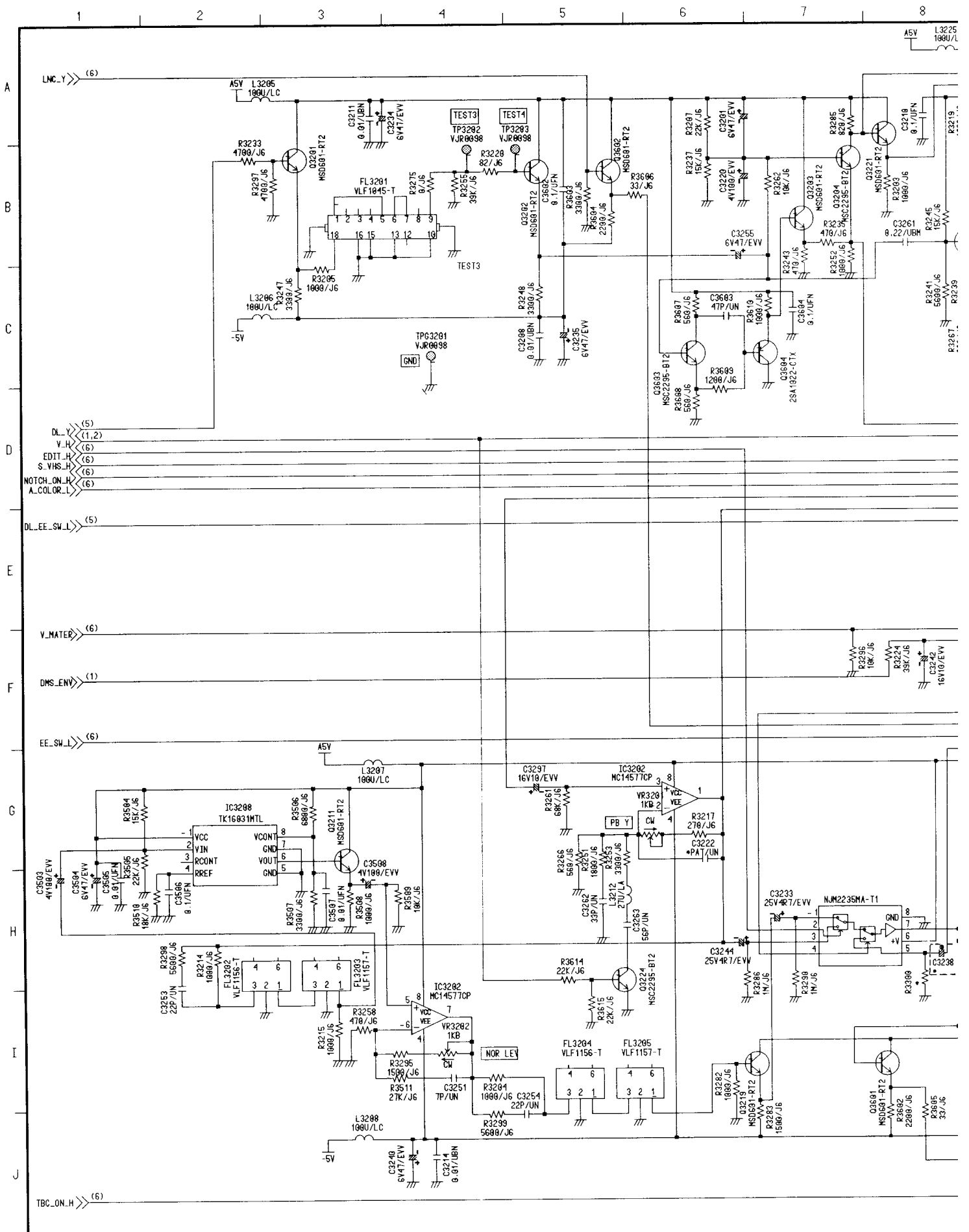
(6) RFY

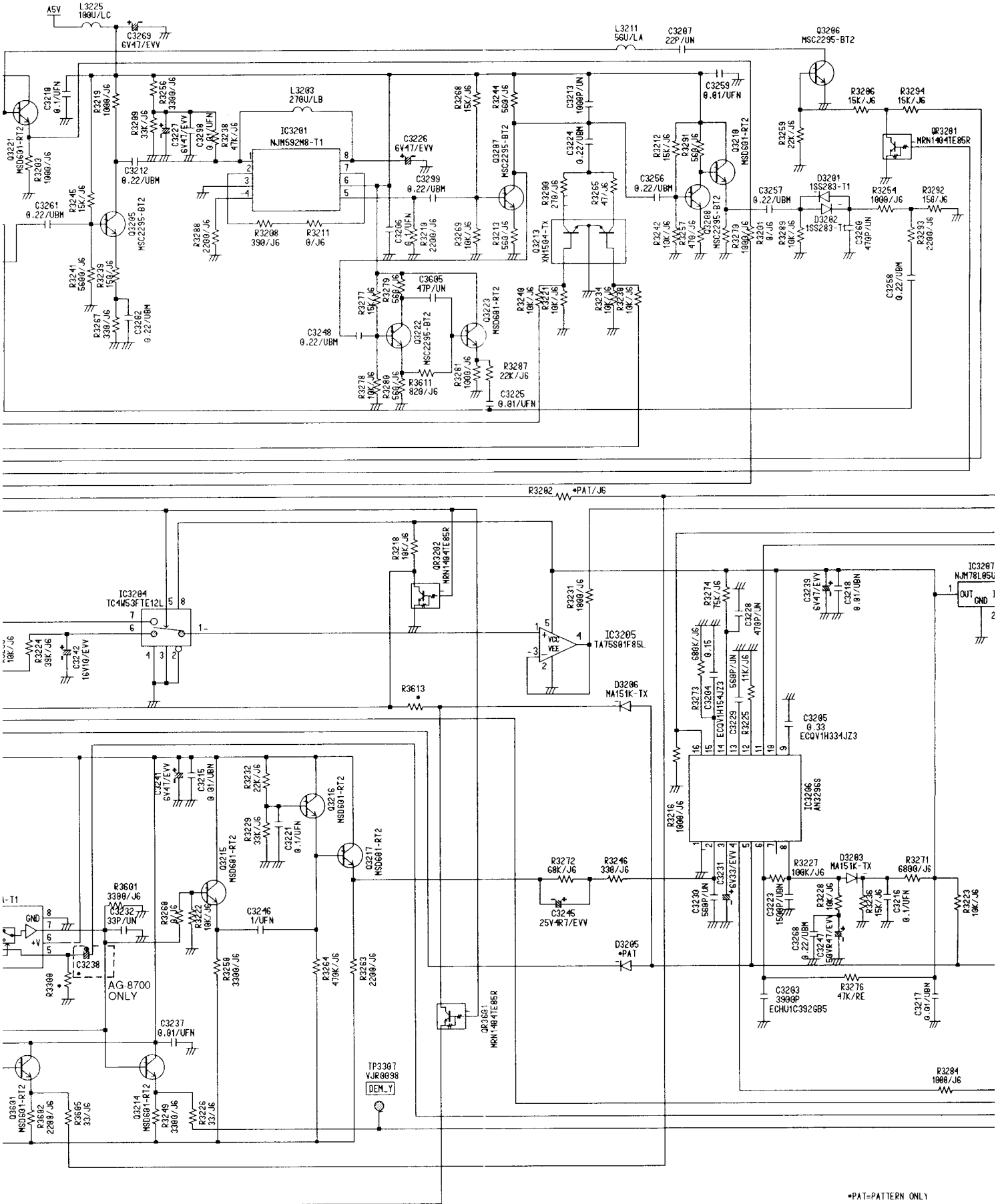
(6) RTSW

IC3007  
MC14052BF

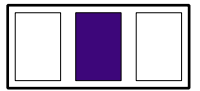


# VIDEO I/O-3 SCHEMATIC DIAGRAM 3/7 (E5: Page CBA-8)

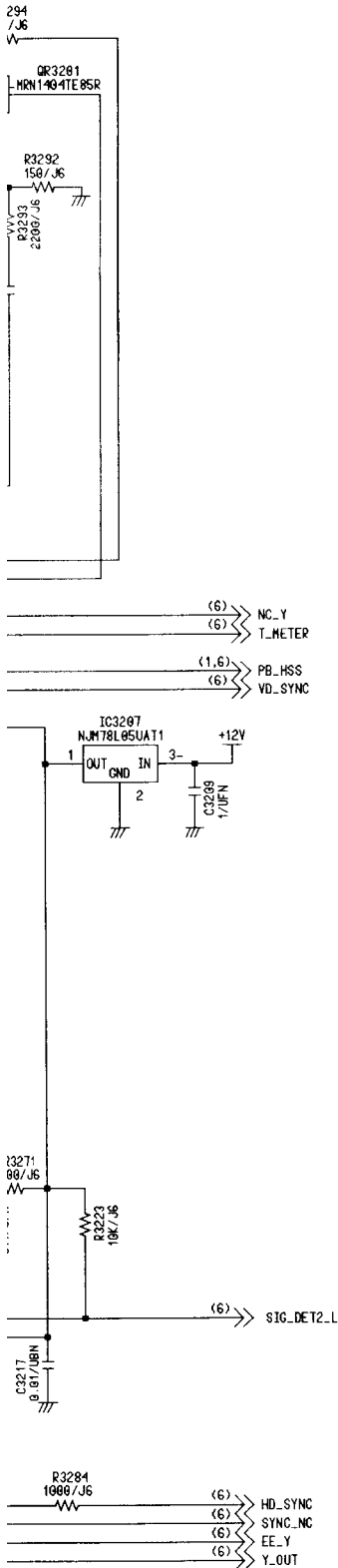




\*PAT-PATTERN ONLY  
 •REFER TO THE COMPARISON CHART  
 Ref No 3200 Series



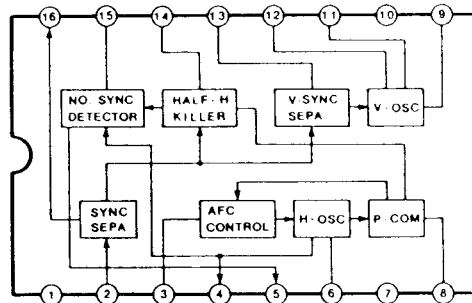




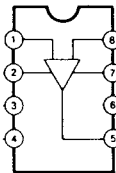
### VIDEO I/O-3 DC VOLTAGE CHART

REF. NO.	IC3201									
MODE	1	2	3	4	5	6	7	8		
STOP	3.4	2.7	0	3.3	3.3	4.7	2.7	3.4		
REC	3.4	2.7	0	3.3	3.3	4.7	2.7	3.4		
REF. NO.	IC3202									
MODE	1	2	3	4	5	6	7	8		
STOP	0	0	0	-4.8	0	0	0.1	4.7		
REC	0	0	0	-4.8	0	0	0.1	4.7		
REF. NO.	IC3203									
MODE	1	2	3	4	5	6	7	8		
STOP	1.9	4.9	1.9	3.5	2.3	4.7	1.5	0		
REC	1.9	4.9	1.9	3.5	2.3	4.7	1.5	0		
REF. NO.	IC3205									
MODE	1	2	3	4	5					
STOP	0.9	0	0	0	5.0					
REC	0.9	0	0	0	5.0					
REF. NO.	IC3206									
MODE	1	2	3	4	5	6	7	8	9	10
STOP	0	3.3	4.1	3.4	0.2	2.9	0	3.0	2.2	5.0
REC	0	3.3	4.1	3.5	0.2	2.9	0	3.0	2.2	5.0
REF. NO.	IC3206									
MODE	11	12	13	14	15	16				
STOP	4.8	0.7	0.1	1.2	3.8	3.5				
REC	4.8	0.7	0.1	1.2	3.8	3.6				
REF. NO.	Q3201			Q3202			Q3203			
MODE	E	C	B	E	C	B	E	C	B	
STOP	1.3	4.8	1.9	0.7	4.9	1.3	1.0	4.9	1.7	
REC	1.3	4.8	1.9	0.7	4.9	1.3	1.0	4.9	1.7	
REF. NO.	Q3204			Q3205			Q3206			
MODE	E	C	B	E	C	B	E	C	B	
STOP	1.0	4.0	1.8	0.5	3.6	1.3	0	0	0	
REC	1.0	4.0	1.8	0.5	3.6	1.3	0	0	0	
REF. NO.	Q3207			Q3208			Q3210			
MODE	E	C	B	E	C	B	E	C	B	
STOP	1.0	3.7	1.8	1.0	3.5	1.7	2.9	4.7	3.5	
REC	1.0	3.7	1.8	1.0	3.5	1.7	2.9	4.7	3.5	
REF. NO.	Q3213					Q3214				
MODE	1	2	3	4	5	E	C	B		
STOP	0	0	0.7	0	0.7	0.9	4.7	1.5		
REC	0	0	0.7	0	0.7	0.9	4.7	1.5		
REF. NO.	Q3216			Q3217			Q3219			
MODE	E	C	B	E	C	B	E	C	B	
STOP	2.7	4.7	2.8	2.1	4.7	2.7	-0.6	4.7	0	
REC	2.7	4.7	2.8	2.1	4.7	2.7	-0.6	4.7	0	
REF. NO.	Q3221			Q3222			Q3223			
MODE	E	C	B	E	C	B	E	C	B	
STOP	3.3	4.8	4.0	1.0	3.5	1.7	0.4	4.7	1.0	
REC	3.3	4.8	4.0	1.0	3.5	1.7	0.4	4.7	1.0	
REF. NO.	QR3201			QR3202						
MODE	E	C	B	E	C	B				
STOP	0	0	0.1	0	3.5	0.1				
REC	0	0	0.1	0	3.5	0.1				

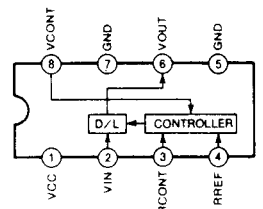
IC3206  
AN3296S



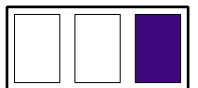
IC3201  
NJM592MB



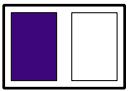
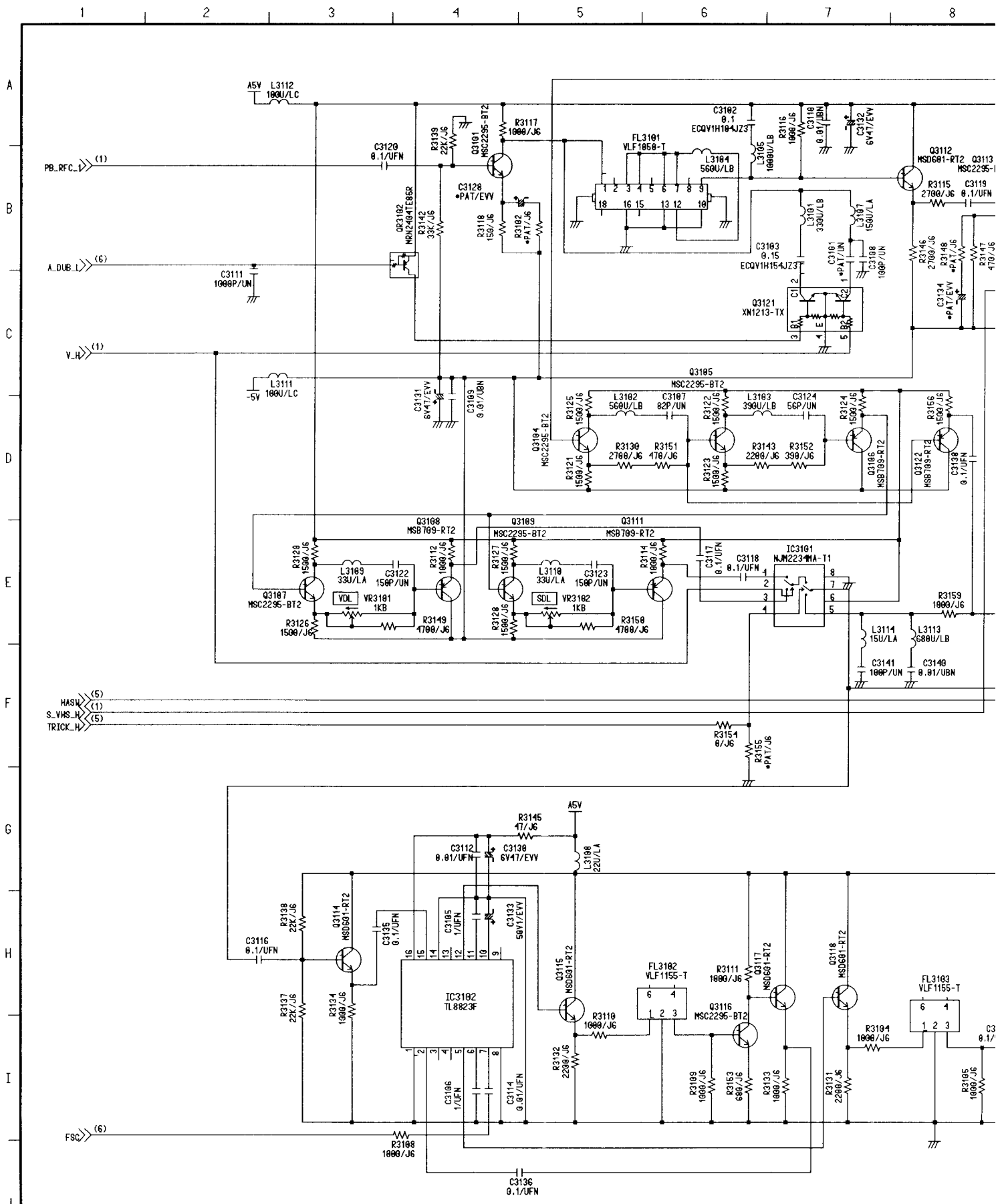
IC3208  
TK16031MTL

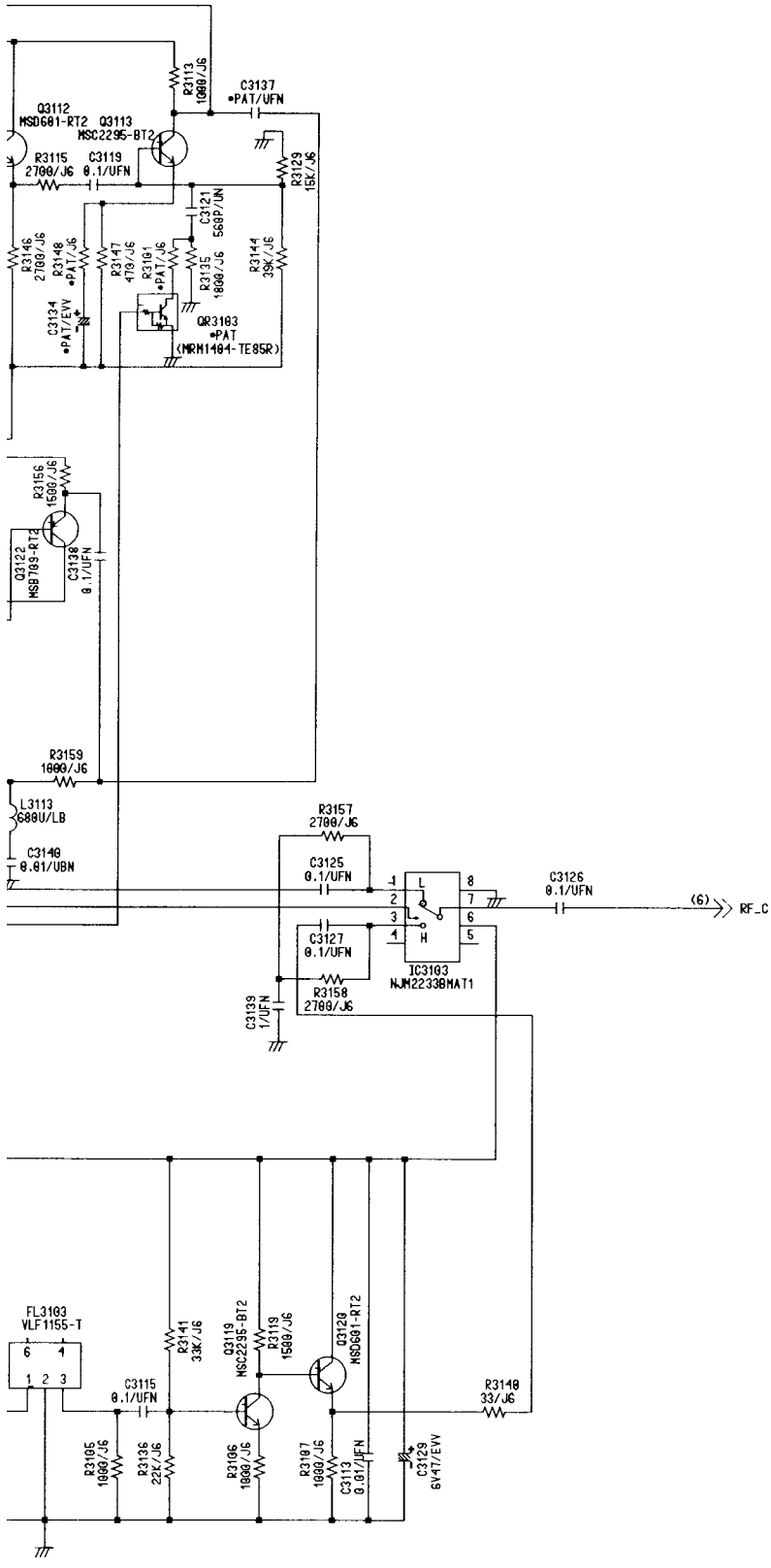


ONLY  
IE COMPARISON CHART  
3200 Series.



# VIDEO I/O-2 SCHEMATIC DIAGRAM 2/7 (E5: Page CBA-8)

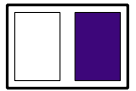




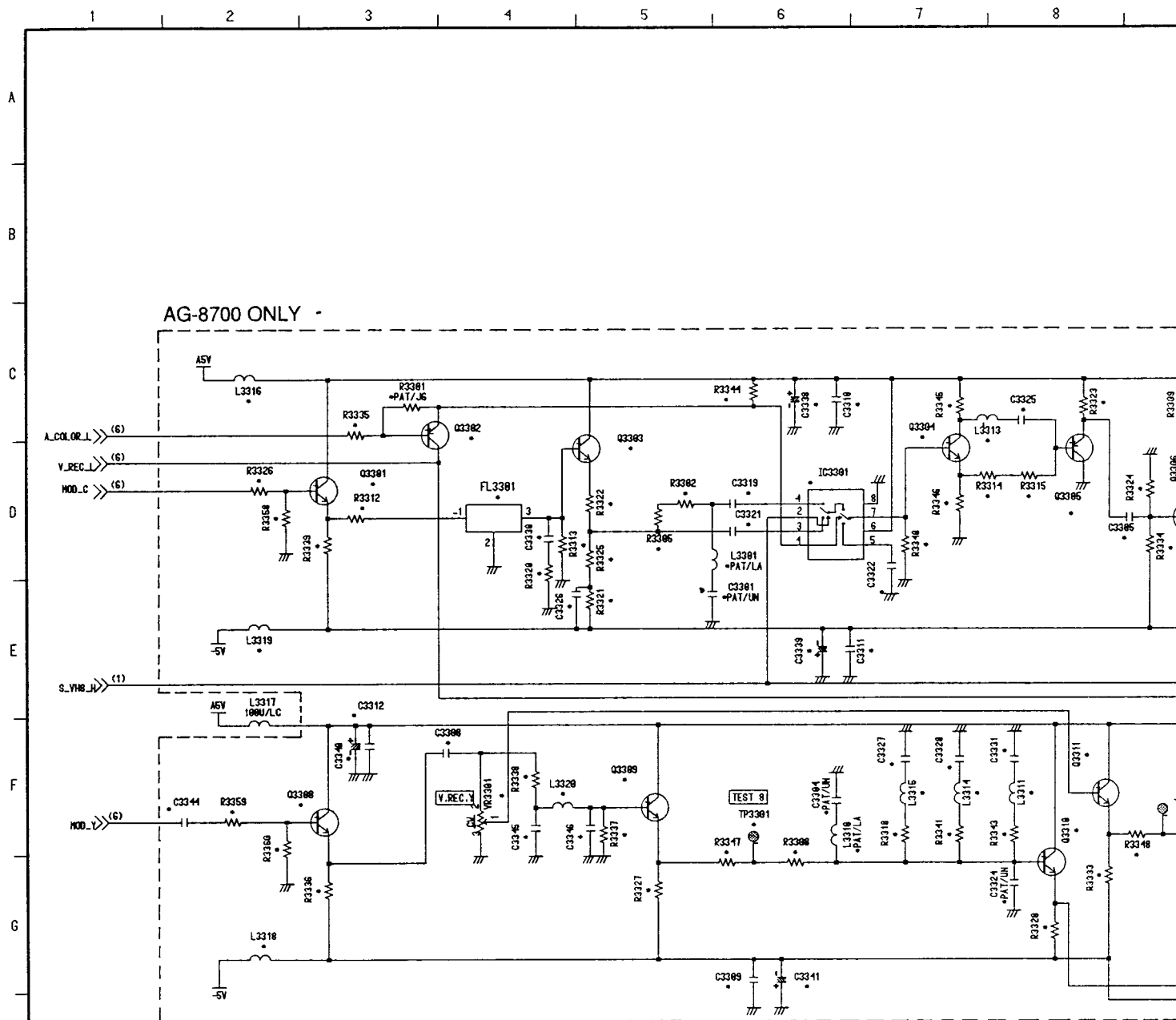
### VIDEO I/O-2 DC VOLTAGE CHART

REF. NO.	IC3101										
MODE	1	2	3	4	5	6	7	8			
STOP	2.8	0	2.8	0	2.8	4.7	2.1	0			
REC	2.8	0	2.8	0	2.8	4.7	2.1	0			
REF. NO.	IC3102										
MODE	1	2	3	4	5	6	7	8	9	10	
STOP	0	2.1	0	0	2.7	1.3	2.2	0	0	9.4	
REC	0	2.1	0	0	2.7	1.3	2.2	0	0	9.4	
REF. NO.	IC3102										
MODE	11	12	13	14	15	16					
STOP	1.3	2.8	0	0	2.1	4.5					
REC	1.3	2.8	0	0	2.1	4.5					
REF. NO.	IC3103										
MODE	1	2	3	4	5	6	7	8			
STOP	2.9	0	2.9	0	0	4.9	2.2	0			
REC	2.9	0	2.9	0	0	4.9	2.2	0			
REF. NO.	Q3101			Q3104			Q3105				
MODE	E	C	B	E	C	B	E	C	B		
STOP	-3.7	0.9	-2.8	-0.8	0.8	-0.1	-1.6	1.5	-0.9		
REC	-3.7	1.0	-2.9	-0.8	0.8	-0.1	-1.6	1.5	-0.9		
REF. NO.	Q3106			Q3107			Q3108				
MODE	E	C	B	E	C	B	E	C	B		
STOP	-0.9	-4.8	-1.6	-1.7	1.6	-0.9	-1.0	-4.8	-1.7		
REC	-0.9	-4.8	-1.6	-1.7	1.6	-0.9	-1.0	-4.8	-1.7		
REF. NO.	Q3109			Q3111			Q3112				
MODE	E	C	B	E	C	B	E	C	B		
STOP	-1.7	1.6	-0.9	-1.0	-4.8	-1.7	0.3	4.7	0.9		
REC	-1.7	1.6	-0.9	-1.0	-4.8	-1.6	0.3	4.7	0.9		
REF. NO.	Q3113			Q3114			Q3115				
MODE	E	C	B	E	C	B	E	C	B		
STOP	-2.6	-0.1	-1.8	1.8	4.9	2.4	2.2	4.9	2.8		
REC	-2.6	-0.1	-1.8	1.8	4.9	2.4	2.2	4.9	2.8		
REF. NO.	Q3116			Q3117			Q3118				
MODE	E	C	B	E	C	B	E	C	B		
STOP	0.4	4.3	1.1	3.7	4.9	4.3	2.2	4.9	2.8		
REC	0.4	4.3	1.1	3.7	4.9	4.3	2.2	4.9	2.8		
REF. NO.	Q3119			Q3120							
MODE	E	C	B	E	C	B					
STOP	1.1	3.2	1.8	2.6	4.9	3.2					
REC	1.1	3.2	1.8	2.6	4.9	3.2					
REF. NO.	Q3121						Q3122				
MODE	1	2	3	4	5		E	C	B		
STOP	0	0	0	0	0		-0.2	-4.8	-0.9		
REC	0	0	0	0	0		-0.2	-4.8	-0.9		
REF. NO.	QR3102										
MODE	E	C	B								
STOP	4.7	0	4.7								
REC	4.7	0	4.7								

\*=REFER TO THE COMPARISON CHART  
Ref No.3100 Series.

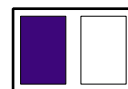


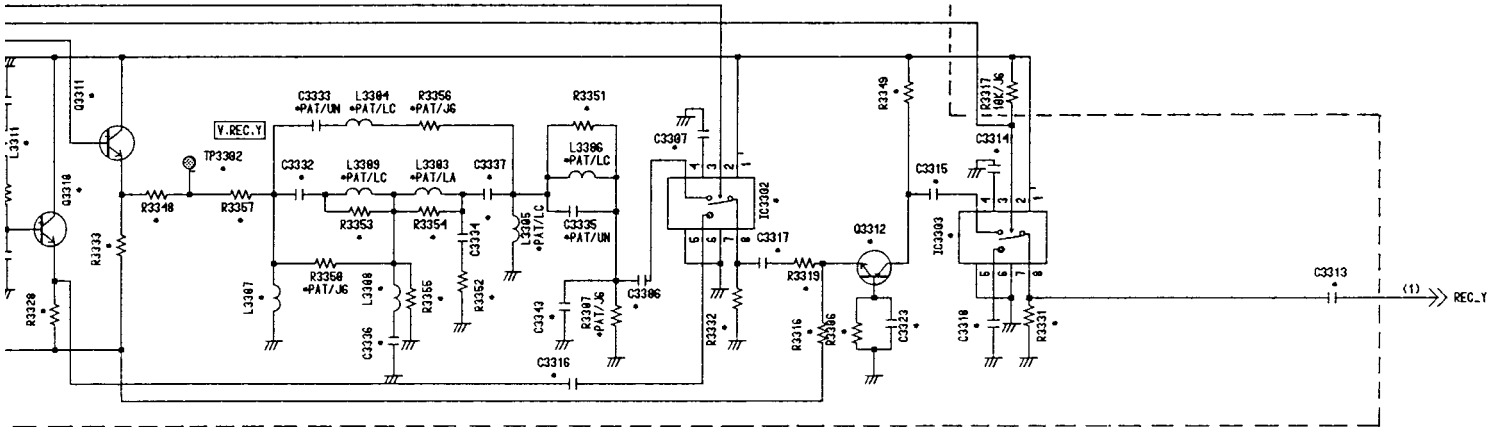
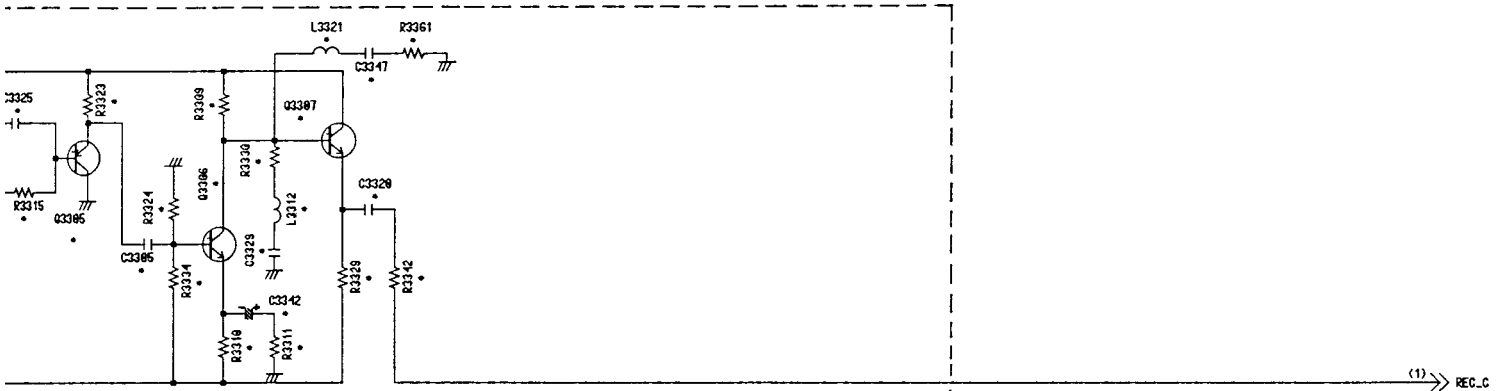
# VIDEO I/O-4 SCHEMATIC DIAGRAM 4/7 (E5: Page CBA-8)



## VIDEO I/O-4 DC VOLTAGE CHART

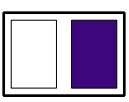
REF. NO.	IC3301								IC3302									
	1	2	3	4	5	6	7	8	1	2	3	4	5	6	7	8		
MODE																		
STOP	2.9	4.9	2.9	3.7	2.9	4.8	2.2	0	4.9	4.9	2.4	2.5	0	2.5	0	2.5		
REC	2.9	4.9	2.9	0.7	2.9	4.8	2.2	0	4.9	4.9	2.4	2.5	0	2.5	0	2.5		
REF. NO.	IC3303																	
	1	2	3	4	5	6	7	8										
MODE																		
STOP	4.9	3.7	2.4	2.5	0	2.5	0	2.5										
REC	4.9	0.1	2.4	2.5	0	2.5	0	2.5										
REF. NO.	Q3301			Q3302			Q3303			Q3304			Q3305			Q3306		
	E	C	B	E	C	B	E	C	B	E	C	B	E	C	B	E	C	B
MODE																		
STOP	-0.7	4.8	-0.1	3.7	3.7	3.1	-1.0	4.8	-0.4	1.4	3.4	2.2	2.1	0	1.4	-2.7	2.6	-2.1
REC	-0.7	4.8	-0.1	0.7	0.1	0.1	-1.0	4.8	-0.4	1.4	3.4	2.2	2.1	0	1.4	-2.7	2.6	-2.1
REF. NO.	Q3307			Q3308			Q3309			Q3310			Q3311			Q3312		
	E	C	B	E	C	B	E	C	B	E	C	B	E	C	B	E	C	B
MODE																		
STOP	2.0	4.8	2.6	-0.5	4.9	-0.1	-0.6	4.9	0	-1.2	4.9	-0.6	-0.5	4.9	0	-0.8	1.5	0
REC	2.0	4.8	2.6	-0.5	4.9	-0.1	-0.6	4.8	0	-1.2	4.9	-0.6	-0.5	4.9	0	-0.8	1.5	0



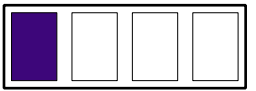
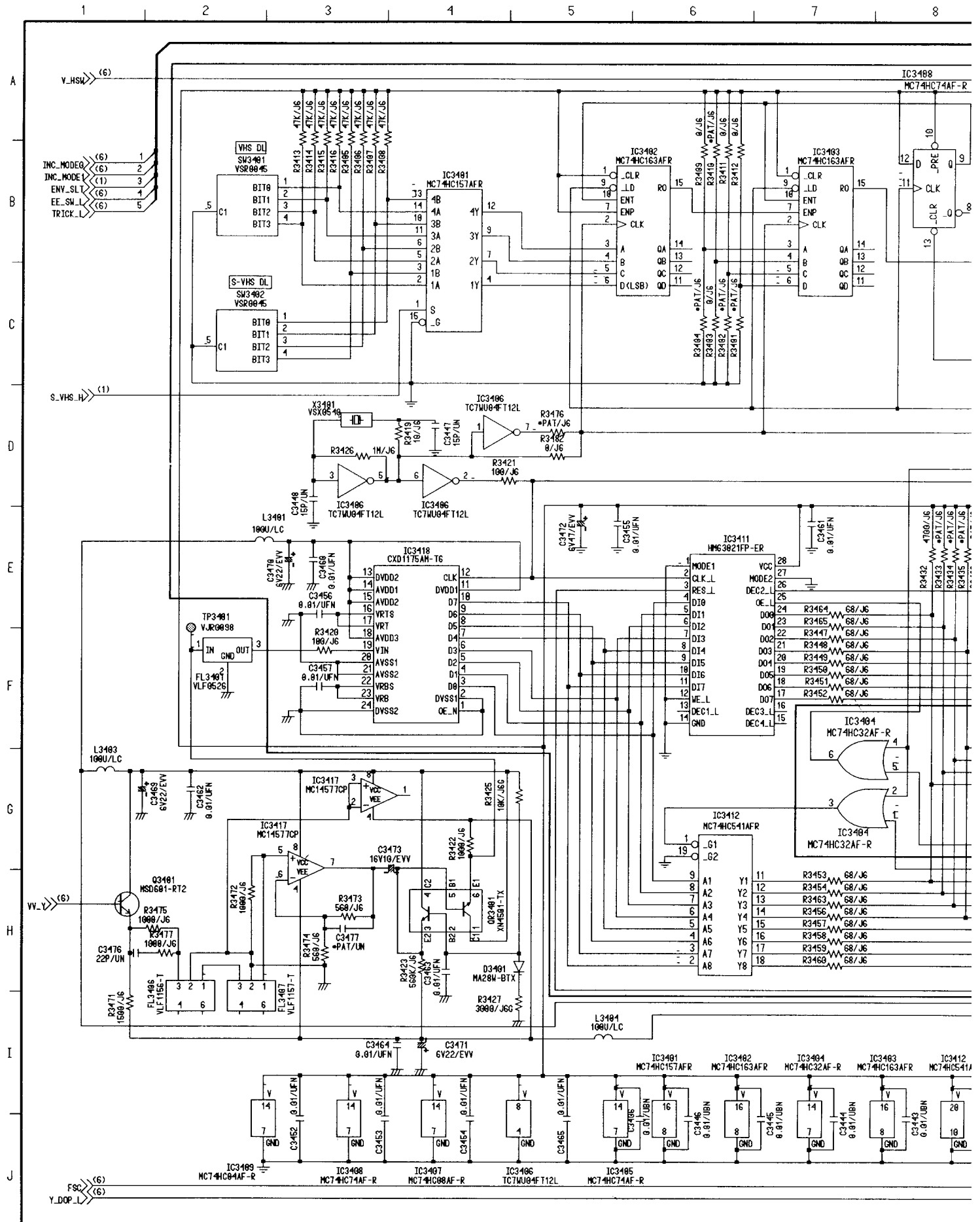


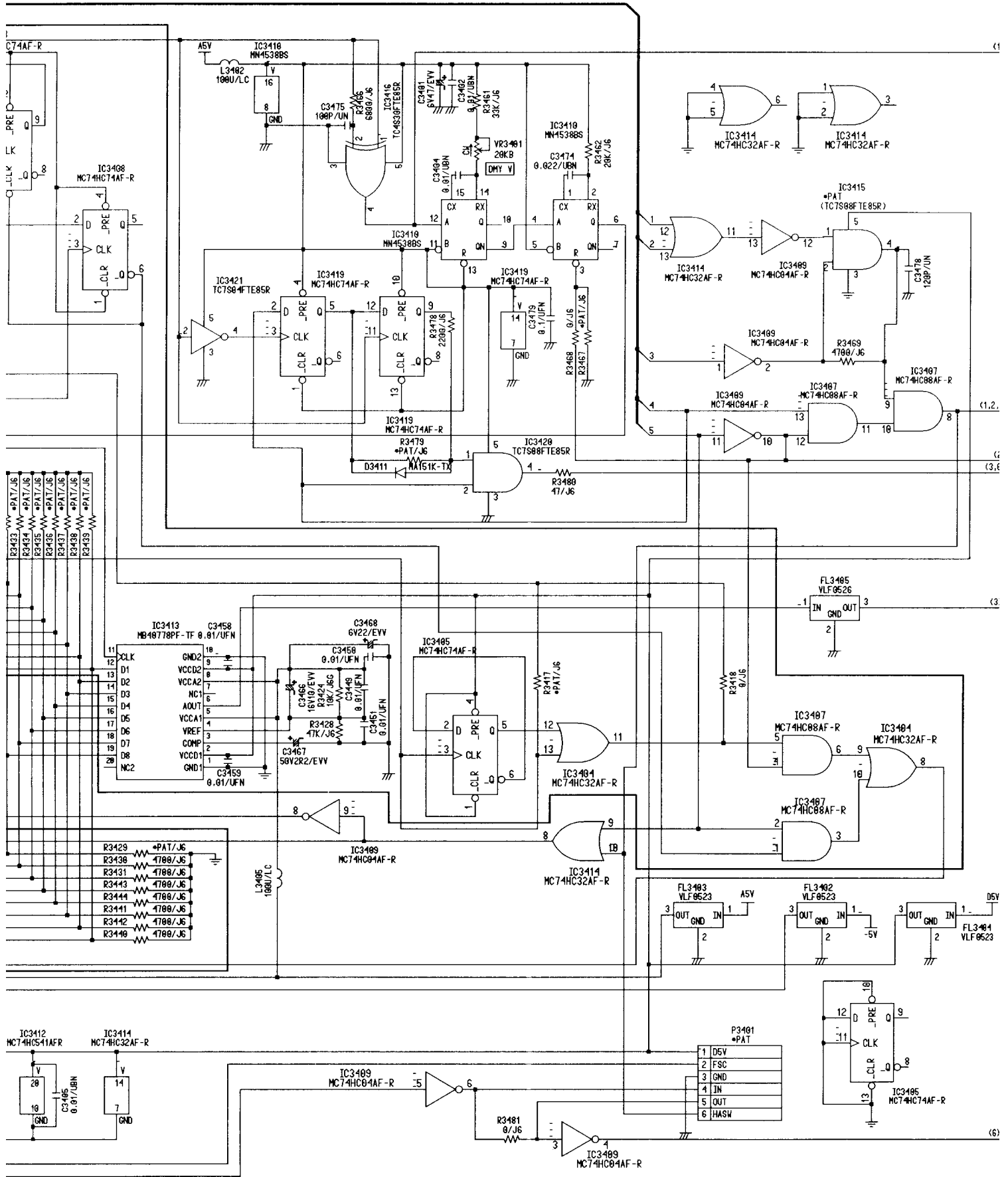
8		
2.5		
2.5		
B		
-2.1		
-2.1		
B		
0		
0		

\*PAT-PATTERN ONLY  
 \*\*REFER TO THE COMPARISON CHART  
 Ref No.3300 Series.

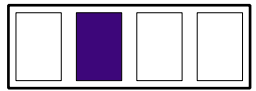


# VIDEO I/O-5 SCHEMATIC DIAGRAM 5/7 (E5: Page CBA-8)





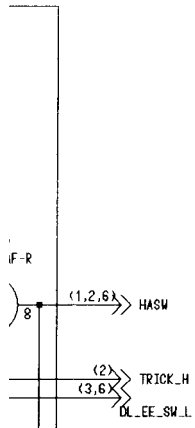
•REFER TO THE COMPARISON CHART  
Ref No.3400 Series.



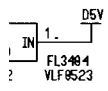


# VIDEO I/O-5 DC VOLTAGE CHART

(1) >>> HASW

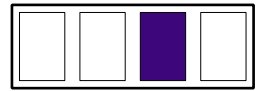


(3) >>> DL\_Y



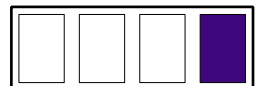
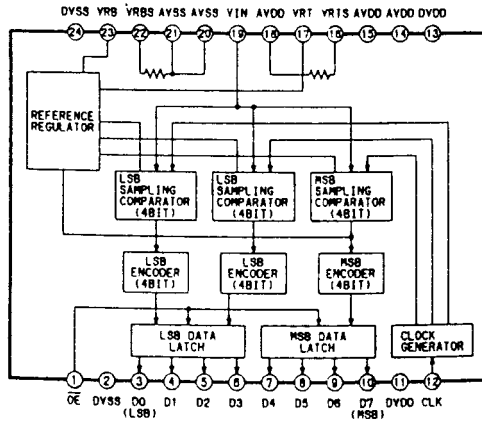
(6) >>> 2H\_DOP\_L

REF. NO.	IC3401																			
MODE	1	2	3	4	5	6	7	8	9	10	11	12	13	14	15	16				
STOP	4.9	0	0	0	0	0	0	0	5.1	5.1	5.1	5.1	5.1	5.1	0	5.1				
REC	4.9	0	0	0	0	0	0	0	5.1	5.1	5.1	5.1	5.1	5.1	0	5.1				
REF. NO.	IC3402																			
MODE	1	2	3	4	5	6	7	8	9	10	11	12	13	14	15	16				
STOP	5.1	2.6	5.1	5.1	0	0	5.1	0	5.1	0.1	0	0	0	5.1	0	5.1				
REC	5.1	2.6	5.1	5.1	0	0	5.1	0	5.1	0	0	0	0	5.1	0	5.1				
REF. NO.	IC3403																			
MODE	1	2	3	4	5	6	7	8	9	10	11	12	13	14	15	16				
STOP	5.1	2.6	5.1	0	5.1	5.1	0	0	5.1	0.1	5.1	5.1	5.1	5.1	0	5.1				
REC	5.1	2.6	5.1	0	5.1	5.1	0	0	5.1	0.1	5.1	5.1	5.1	5.1	0	5.1				
REF. NO.	IC3404																			
MODE	1	2	3	4	5	6	7	8	9	10	11	12	13	14						
STOP	5.1	0	5.1	0	0	0	0	5.1	0	5.1	5.1	2.6	3.9	5.1						
REC	5.1	0	5.1	0	0	0	0	5.1	0	5.1	5.1	2.4	3.9	5.1						
REF. NO.	IC3405																			
MODE	1	2	3	4	5	6	7	8	9	10	11	12	13	14						
STOP	5.1	2.5	3.9	5.1	2.6	2.5	0	5.1	5.1	0	0	0	0	5.1						
REC	5.1	2.7	3.9	5.1	2.5	2.7	0	5.1	5.1	0	0	0	0	5.1						
REF. NO.	IC3406																			
MODE	1	2	3	4	5	6	7	8												
STOP	2.6	2.6	2.4	0	2.6	2.5	2.5	5.1												
REC	2.6	2.6	2.4	0	2.6	2.6	2.6	5.1												
REF. NO.	IC3407																			
MODE	1	2	3	4	5	6	7	8	9	10	11	12	13	14						
STOP	5.1	3.4	5.1	0	5.1	0	0	0	2.6	0	0	0	0	5.1						
REC	5.1	3.4	5.1	0	5.1	0	0	0	5.1	0	0	0	0	5.1						
REF. NO.	IC3408																			
MODE	1	2	3	4	5	6	7	8	9	10	11	12	13	14						
STOP	5.1	0	2.6	5.1	0	5.1	0	5.1	0.1	5.1	5.1	5.1	5.1	5.1						
REC	5.1	0	2.6	5.1	0	5.1	0	5.1	0.1	5.1	5.1	5.1	5.1	5.1						
REF. NO.	IC3409																			
MODE	1	2	3	4	5	6	7	8	9	10	11	12	13	14						
STOP	2.4	2.6	0	5.2	0	5.2	0	0	5.2	0	3.4	5.2	0	5.2						
REC	0.1	5.1	0	5.1	0	5.1	0	0	5.1	0	3.4	5.1	0	5.1						
REF. NO.	IC3410																			
MODE	1	2	3	4	5	6	7	8	9	10	11	12	13	14	15	16				
STOP	0	4.9	0	4.8	4.9	0	4.9	0	4.8	0.1	4.9	0	4.9	4.9	0	4.9				
REC	0	4.9	0	4.8	4.9	0	4.9	0	4.8	0.1	4.9	0	4.9	4.9	0	4.9				
REF. NO.	IC3411																			
MODE	1	2	3	4	5	6	7	8	9	10	11	12	13	14	15	16	17	18	19	20
STOP	0	2.6	5.1	0.1	0	0	0	4.8	0	0	0	0	3.9	0	4.0	4.0	0	0	0	3.6
REC	0	2.6	5.1	0.3	0	0	0	4.8	0	0	0	0	3.9	0	4.0	4.0	0	0	0	3.6
REF. NO.	IC3411																			
MODE	21	22	23	24	25	26	27	28												
STOP	0	0	0	0.3	0	3.9	0	5.1												
REC	0	0	0	0.8	0	3.9	0	5.1												
REF. NO.	IC3412																			
MODE	1	2	3	4	5	6	7	8	9	10	11	12	13	14	15	16	17	18	19	20
STOP	5.1	0	0	0	4.8	0	0	0	0	0	0.3	0	0	0	3.6	0	0	0	0	5.1
REC	5.1	0	0	0	4.8	0	0	0	0.1	0	0.3	0	0	0	3.6	0	0	0	0	5.1
REF. NO.	IC3413																			
MODE	1	2	3	4	5	6	7	8	9	10	11	12	13	14	15	16	17	18	19	20
STOP	0	5.1	2.3	4.0	4.9	4.0	0	4.9	5.1	0	2.6	0	0	0	3.6	0	0	0	0.4	0
REC	0	5.1	2.3	4.0	4.9	4.0	0	4.9	5.1	0	2.6	0	0	0	3.6	0	0	0	0	0
REF. NO.	IC3414																			
MODE	1	2	3	4	5	6	7	8	9	10	11	12	13	14						
STOP	0	0	0	0	0	0	0	5.2	3.4	0	0	0	0	5.2						
REC	0	0	0	0	0	0	0	5.1	3.4	0	0	0	0	5.1						
REF. NO.	IC3416								IC3417											
MODE	1	2	3	4	5	1	2	3	4	5	6	7	8							
STOP	2.5	2.5	0	0	4.9	3.1	0	0	-4.8	0	0.1	0.3	4.8							
REC	2.5	2.5	0	0	4.9	3.1	0	0	-4.8	0	0.1	0.3	4.8							
REF. NO.	IC3418																			
MODE	1	2	3	4	5	6	7	8	9	10	11	12	13	14	15	16	17	18	19	20
STOP	0	0	0.4	0.3	0.4	0.4	3.9	0	0	0	4.8	2.6	4.8	4.9	4.9	2.6	2.6	4.9	0.8	0
REC	0	0	0	0	0	0	4.8	0	0	0	4.8	2.6	4.8	4.8	4.8	2.6	2.6	4.8	0.8	0
REF. NO.	IC3418																			
MODE	21	22	23	24																
STOP	0	0.6	0.6	0																
REC	0	0.6	0.6	0																

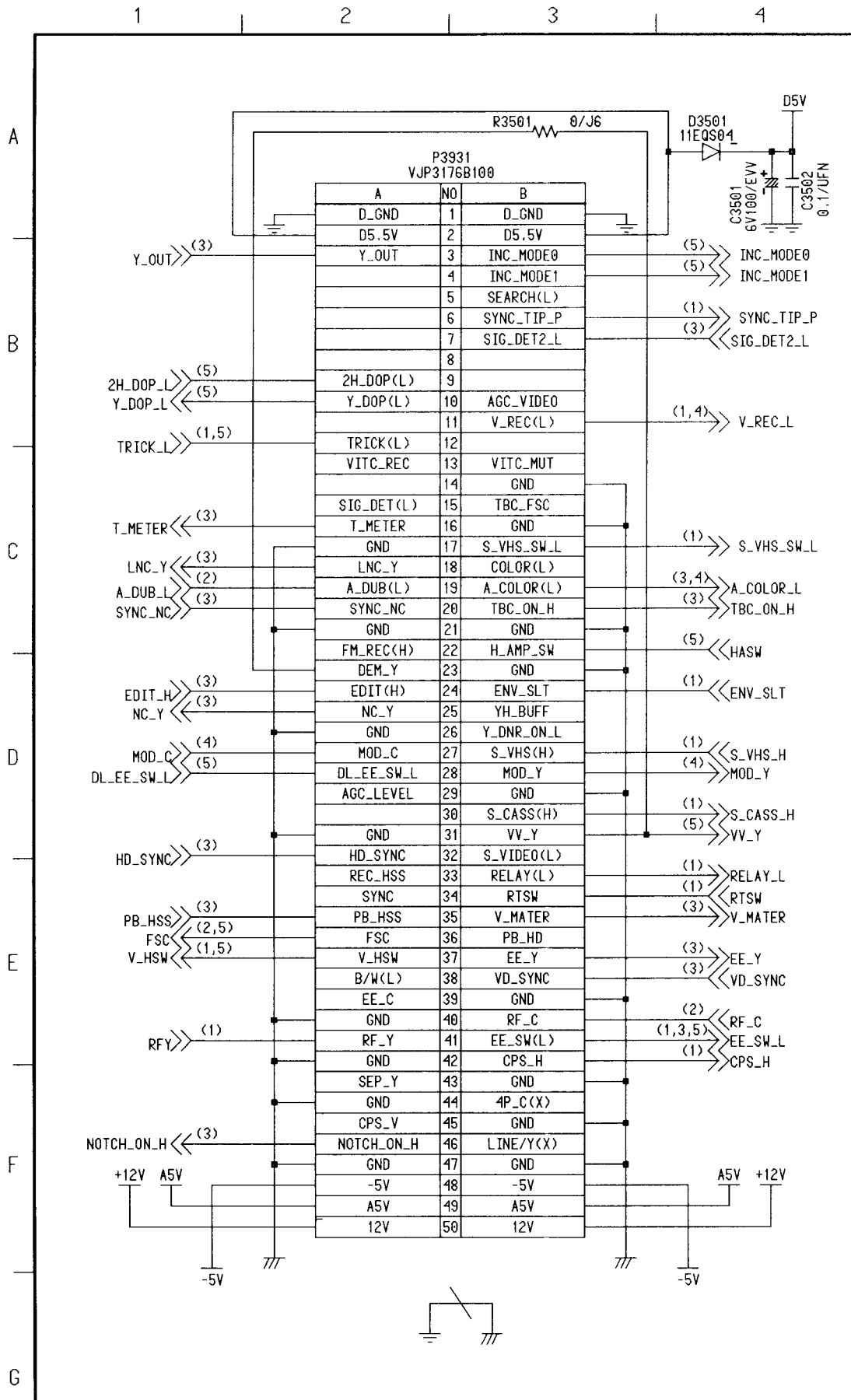


REF. NO.	IC3419									
MODE	1	2	3	4	5	6	7	8	9	10
STOP	4.9	0	2.5	4.9	0	4.9	0	4.9	0	4.9
REC	4.9	0	2.5	4.9	0	4.9	0	4.9	0	4.9
REF. NO.	IC3419									
MODE	11	12	13	14						
STOP	2.5	0	4.9	4.9						
REC	2.5	0	4.9	4.9						
REF. NO.	IC3420					IC3421				
MODE	1	2	3	4	5	1	2	3	4	5
STOP	0	0	0	0	4.9	0	2.5	0	2.5	4.9
REC	0	0	0	0	4.9	0	2.5	0	2.5	4.9
REF. NO.	Q3401									
MODE	E	C	B							
STOP	0.3	4.8	0.9							
REC	0.3	4.8	0.9							
REF. NO.	QR3401									
MODE	1	2	3	4	5	6				
STOP	4.8	1.9	1.4	4.8	1.4	0.8				
REC	4.8	1.9	1.4	4.8	1.4	0.8				

IC3418  
CXD1175AM



# VIDEO I/O-6 SCHEMATIC DIAGRAM 6/7 (E5: Page CBA-8)



# VIDEO I/O COMPARISON CHART 7/7 (E5: Page CBA-8)

\$REF\$	AG-8700	AG-8600
C3004	0. 022/UBN	*PAT/UBN
C3005	50VR47/EVV	*PAT/EVV
C3031	*PAT/UN	*PAT/UN
C3036	*PAT/UN	*PAT/UN
C3052	6V22/EVV	*PAT/EVV
C3082	*PAT/UN	*PAT/UN
C3084	*PAT/UFN	*PAT/UFN
C3101	*PAT/UFN	*PAT/UFN
C3128	*PAT/EVV	*PAT/EVV
C3134	*PAT/EVV	*PAT/EVV
C3137	*PAT/UFN	*PAT/UFN
C3222	*PAT/UN	*PAT/UN
C3238	25V4R7/EVN	*PAT/EVN
C3301	*PAT/UFN	*PAT/UFN
C3304	*PAT	*PAT
C3305	0. 1/UFN	*PAT/UFN
C3306	0. 01/UBN	*PAT/UBN
C3307	0. 01/UBN	*PAT/UBN
C3308	0. 01/UBN	*PAT/UBN
C3309	0. 01/UBN	*PAT/UBN
C3310	0. 01/UBN	*PAT/UBN
C3311	0. 01/UBN	*PAT/UBN
C3312	0. 01/UBN	*PAT/UBN
C3313	0. 01/UBN	*PAT/UBN
C3314	0. 01/UBN	*PAT/UBN
C3315	0. 01/UBN	*PAT/UBN
C3316	0. 01/UBN	*PAT/UBN
C3317	0. 01/UBN	*PAT/UBN
C3318	0. 01/UBN	*PAT/UBN
C3319	0. 1/ZFN	*PAT/ZFN
C3320	0. 1/ZFN	*PAT/ZFN
C3321	0. 1/ZFN	*PAT/ZFN
C3322	0. 1/ZFN	*PAT/ZFN
C3323	0. 1/ZFN	*PAT/ZFN
C3324	*PAT/UN	*PAT/UN
C3325	120P/UN	*PAT/UN
C3326	150P/UN	*PAT/UN
C3327	18P/UN	*PAT/UN
C3328	220P/UN	*PAT/UN
C3329	270P/UN	*PAT/UN
C3330	330P/UN	*PAT/UN
C3331	390P/UN	*PAT/UN
C3332	39P/UN	*PAT/UN
C3333	*PAT/UFN	*PAT/UFN
C3334	10P/UN	*PAT/UN
C3335	*PAT/UFN	*PAT/UFN

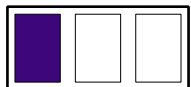
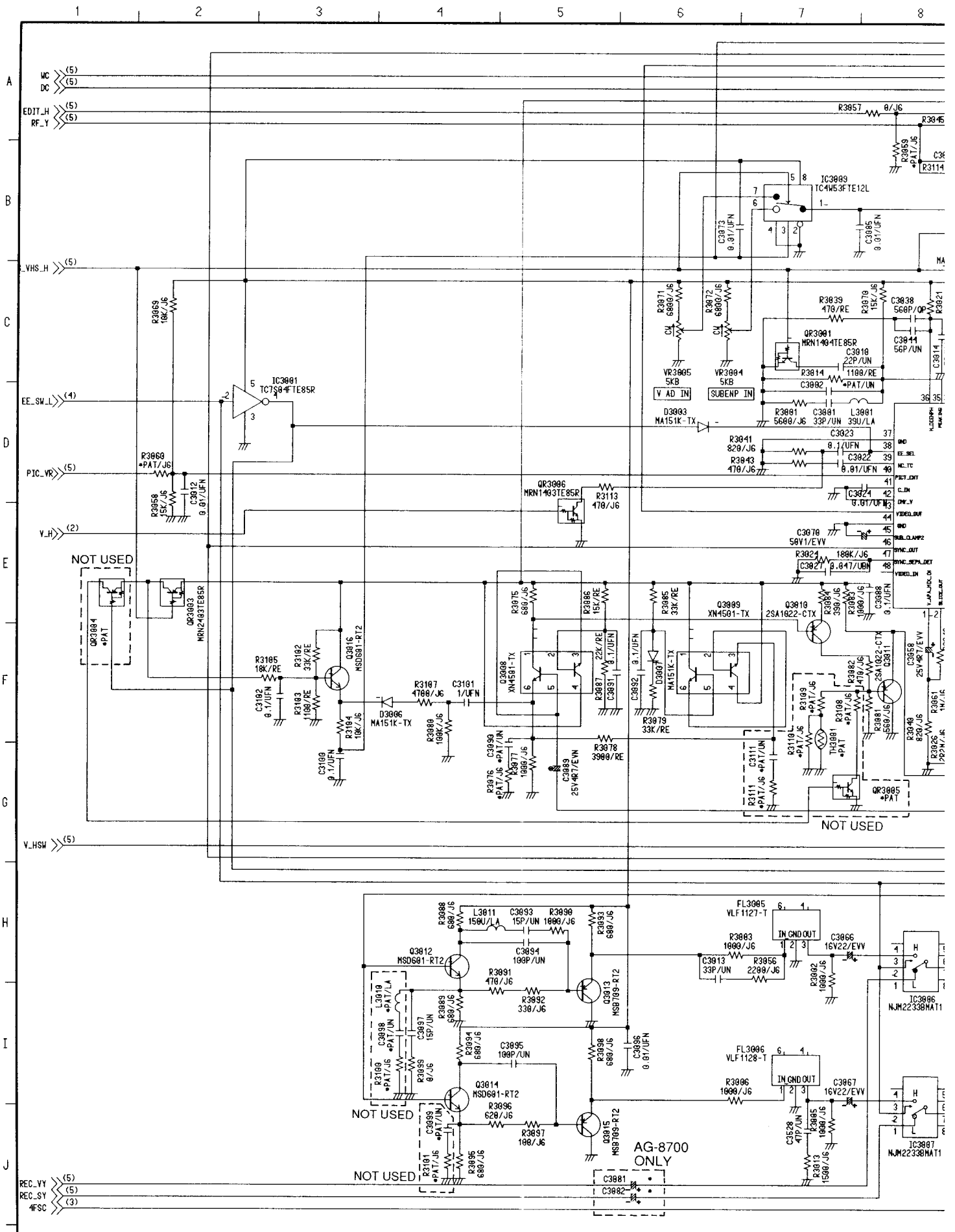
\$REF\$	AG-8700	AG-8600
C3336	180P/UN	*PAT/UN
C3337	0. 01/UFN	*PAT/UFN
C3338	6V47/EVV	*PAT/EVV
C3339	6V47/EVV	*PAT/EVV
C3340	6V47/EVV	*PAT/EVV
C3341	6V47/EVV	*PAT/EVV
C3342	50V3R3/EVV	*PAT/EVV
C3343	18P/UN	*PAT/UN
C3344	0. 01/UBN	*PAT/UBN
C3345	33P/UN	*PAT/UN
C3346	33P/UN	*PAT/UN
C3347	68P/UN	*PAT/UN
C3477	*PAT/UN	*PAT/UN
C3606	*PAT/UFN	*PAT/UFN
D3001	MA151K-TX	*PAT
D3004	*PAT	*PAT
D3005	*PAT	*PAT
D3205	*PAT	*PAT
FL3301	ELB4H068	*PAT
IC3008	*PAT	*PAT
IC3009	*PAT	*PAT
IC3301	NJM2234MA-T1	*PAT
IC3302	AN6308S	*PAT
IC3303	AN6308S	*PAT
IC3415	*PAT	*PAT
L3005	*PAT/LA	*PAT/LA
L3301	*PAT/LA	*PAT/LA
L3303	*PAT/LA	*PAT/LA
L3304	*PAT/LC	*PAT/LC
L3305	*PAT/LC	*PAT/LC
L3306	*PAT/LC	*PAT/LC
L3307	82U/LA	*PAT/LA
L3308	150U/LA	*PAT/LA
L3309	*PAT/LC	*PAT/LC
L3310	*PAT/LA	*PAT/LA
L3311	100U/LA	*PAT/LA
L3312	220U/LA	*PAT/LA
L3313	220U/LA	*PAT/LA
L3314	4R7U/LA	*PAT/LA
L3315	6R8U/LA	*PAT/LA
L3316	100U/LC	*PAT/LC
L3318	100U/LC	*PAT/LC
L3319	100U/LC	*PAT/LC
L3320	6R8U/LA	*PAT/LA
L3321	150U/LA	*PAT/LA
P3401	*PAT	*PAT

\$REF\$	AG-8700	AG-8600
Q3003	2SB643-QRS	*PAT
Q3301	MSD601-RT2	*PAT
Q3302	MSB709-RT2	*PAT
Q3303	MSD601-RT2	*PAT
Q3304	MSC2295-BT2	*PAT
Q3305	MSB709-RT2	*PAT
Q3306	MSD601-RT2	*PAT
Q3307	MSD601-RT2	*PAT
Q3308	MSD601-RT2	*PAT
Q3309	MSD601-RT2	*PAT
Q3310	MSD601-RT2	*PAT
Q3311	MSD601-RT2	*PAT
Q3312	MSC2295-BT2	*PAT
QR3001	MRN2404TE85R	*PAT
QR3002	DTC363EK-T97	*PAT
QR3011	MRN1404TE85R	*PAT
QR3012	*PAT	*PAT
QR3013	*PAT	*PAT
QR3103	*PAT	*PAT
R3005	3300/J6	*PAT/J6
R3006	22K/J6	*PAT/J6
R3007	3300/J6	*PAT/J6
R3008	3300/J6	*PAT/J6
R3014	*PAT/J6	*PAT/J6
R3017	*PAT/J6	*PAT/J6
R3035	*PAT/J6	*PAT/J6
R3043	*PAT/J6	*PAT/J6
R3063	*PAT/J6	*PAT/J6
R3076	*PAT/J6	*PAT/J6
R3078	*PAT/J6	*PAT/J6
R3087	*PAT/J6	*PAT/J6
R3088	*PAT/J6	*PAT/J6
R3101	*PAT/J6	*PAT/J6
R3102	*PAT/J6	*PAT/J6
R3148	*PAT/J6	*PAT/J6
R3155	*PAT/J6	*PAT/J6
R3202	*PAT/J6	*PAT/J6
R3300	1M/J6	1/UFN
R3301	*PAT/J6	*PAT/J6
R3302	0/J6	*PAT/J6
R3305	0/J6	*PAT/J6

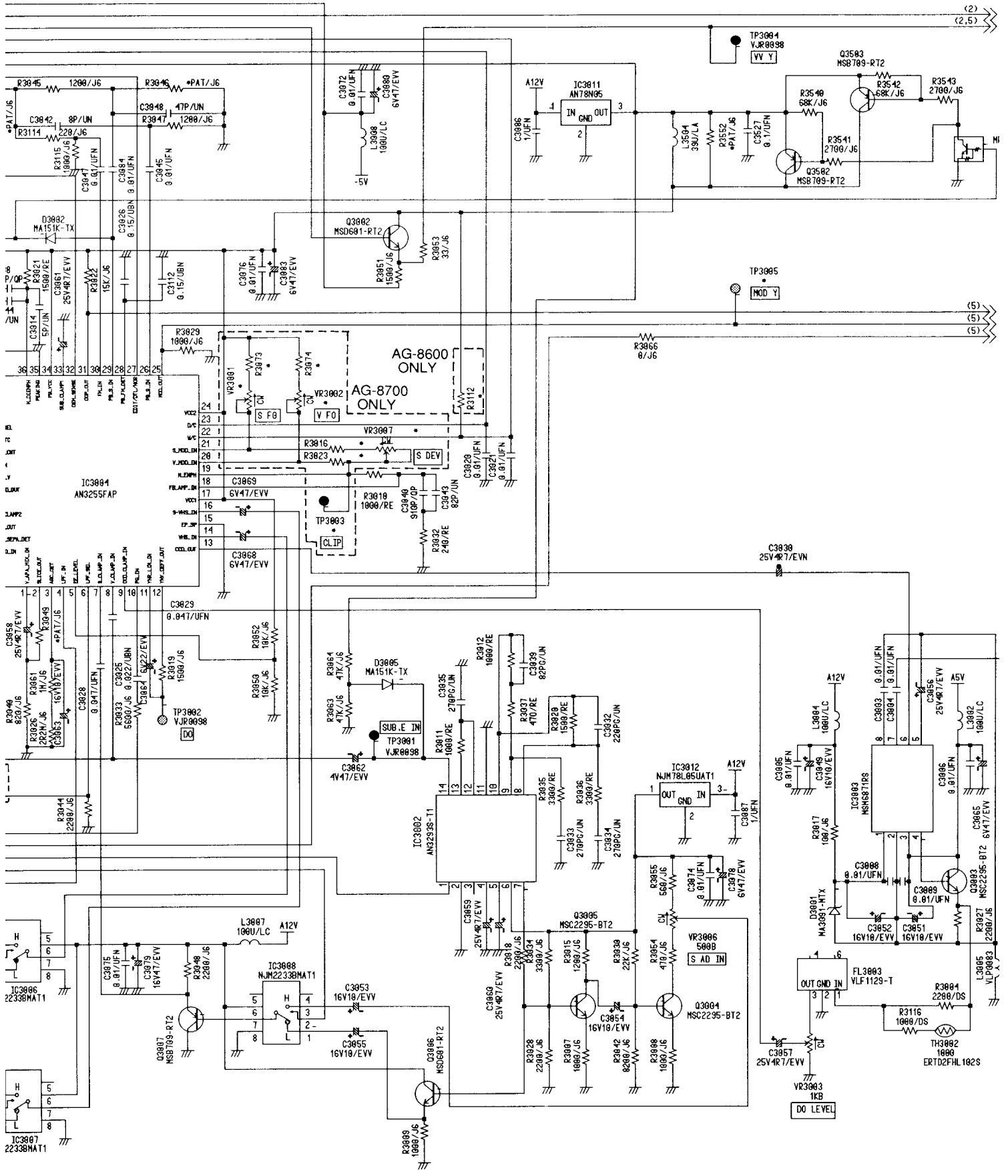
\$REF\$	AG-8700	AG-8600
R3306	100/J6	*PAT/J6
R3307	*PAT/J6	*PAT/J6
R3308	1200/J6	*PAT/J6
R3309	1000/J6	*PAT/J6
R3310	1000/J6	*PAT/J6
R3311	390/J6	*PAT/J6
R3312	1000/J6	*PAT/J6
R3313	1000/J6	*PAT/J6
R3314	1000/J6	*PAT/J6
R3315	1000/J6	*PAT/J6
R3316	1000/J6	*PAT/J6
R3318	100/J6	*PAT/J6
R3319	220/J6	*PAT/J6
R3320	620/J6	*PAT/J6
R3321	1500/J6	*PAT/J6
R3322	0/J6	*PAT/J6
R3323	1500/J6	*PAT/J6
R3324	15K/J6	*PAT/J6
R3325	220/J6	*PAT/J6
R3326	220/J6	*PAT/J6
R3327	2200/J6	*PAT/J6
R3328	2200/J6	*PAT/J6
R3329	2200/J6	*PAT/J6
R3330	2200/J6	*PAT/J6
R3331	2200/J6	*PAT/J6
R3332	2200/J6	*PAT/J6
R3333	2200/J6	*PAT/J6
R3334	22K/J6	*PAT/J6
R3335	22K/J6	*PAT/J6
R3336	1500/J6	*PAT/J6
R3337	330/J6	*PAT/J6
R3338	330/J6	*PAT/J6
R3339	1500/J6	*PAT/J6
R3340	3300/J6	*PAT/J6
R3341	510/J6	*PAT/J6
R3342	47/J6	*PAT/J6
R3343	330/J6	*PAT/J6
R3344	4700/J6	*PAT/J6
R3345	680/J6	*PAT/J6
R3346	680/J6	*PAT/J6
R3347	82/J6	*PAT/J6
R3348	82/J6	*PAT/J6
R3349	820/J6	*PAT/J6
R3350	*PAT/J6	*PAT/J6
R3351	0/J6	*PAT/J6
R3352	680/J6	*PAT/J6

\$REF\$	AG-8700	AG-8600
R3353	0/J6	*PAT/J6
R3354	2200/J6	*PAT/J6
R3355	1000/J6	*PAT/J6
R3356	*PAT/J6	*PAT/J6
R3357	560/J6	*PAT/J6
R3358	10K/J6	*PAT/J6
R3359	220/J6	*PAT/J6
R3360	10K/J6	*PAT/J6
R3361	1800/J6	*PAT/J6
R3401	*PAT/J6	*PAT/J6
R3402	*PAT/J6	*PAT/J6
R3404	*PAT/J6	*PAT/J6
R3410	*PAT/J6	*PAT/J6
R3417	*PAT/J6	*PAT/J6
R3429	*PAT/J6	*PAT/J6
R3433	*PAT/J6	*PAT/J6
R3434	*PAT/J6	*PAT/J6
R3435	*PAT/J6	*PAT/J6
R3436	*PAT/J6	*PAT/J6
R3437	*PAT/J6	*PAT/J6
R3438	*PAT/J6	*PAT/J6
R3439	*PAT/J6	*PAT/J6
R3467	*PAT/J6	*PAT/J6
R3476	*PAT/J6	*PAT/J6
R3479	*PAT/J6	*PAT/J6
R3502	*PAT/J6	*PAT/J6
R3503	*PAT/J6	*PAT/J6
R3612	*PAT/J6	*PAT/J6
TP3301	VJR0098	*PAT
TP3302	VJR0098	*PAT
VR3301	2KB	*PAT
R3613	*PAT/J6	*PAT/J6

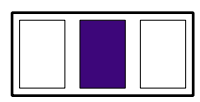
# VIDEO YC-1 SCHEMATIC DIAGRAM 1/6 (E6: Page CBA-7)





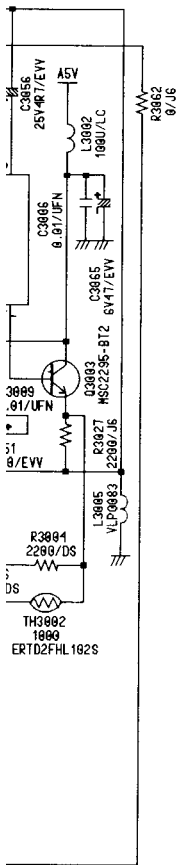
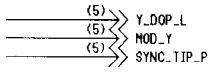
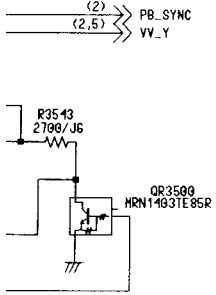


Ref No.3000 Series.

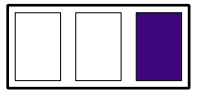
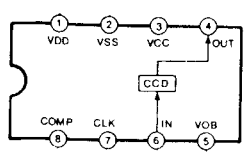


# VIDEO YC-1 DC VOLTAGE CHART

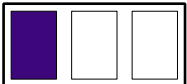
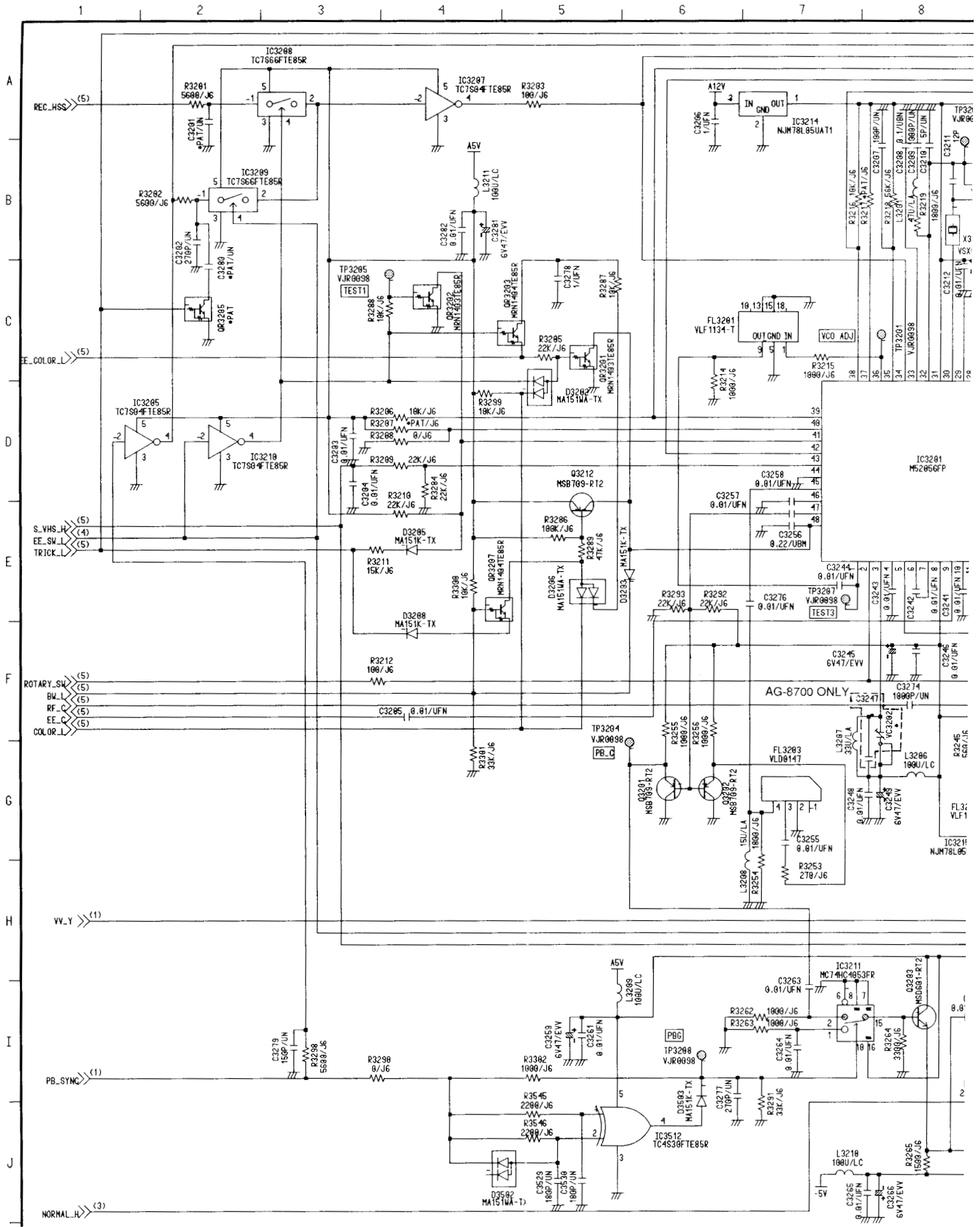
REF. NO.	IC3001																																							
MODE	1	2	3	4	5																																			
STOP	0	0	0	5.0	5.0																																			
REC	0	0	0	5.0	5.0																																			
REF. NO.	IC3002																																							
MODE	1	2	3	4	5	6	7	8	9	10	11	12	13	14																										
STOP	5.0	0	5.0	3.6	3.3	5.1	2.4	2.9	2.9	2.9	0	3.6	3.6	2.0																										
REC	5.0	0	5.0	3.6	3.3	5.1	2.4	2.9	2.9	2.9	0	3.6	3.6	2.0																										
REF. NO.	IC3003																																							
MODE	1	2	3	4	5	6	7	8																																
STOP	9.1	0	4.8	3.3	3.2	1.8	1.6	4.7																																
REC	9.1	0	4.8	3.3	3.2	1.8	1.6	4.7																																
REF. NO.	IC3004																																							
MODE	1	2	3	4	5	6	7	8	9	10	11	12	13	14	15	16	17	18	19	20																				
STOP	2.7	2.7	2.4	2.0	2.5	2.7	2.3	2.2	2.3	2.5	2.8	1.9	1.5	2.0	0	2.1	4.9	2.2	2.2	2.1																				
REC	2.7	2.7	2.4	2.0	2.5	2.7	2.3	2.2	2.3	2.5	2.8	1.9	1.5	2.0	0	2.1	4.9	2.2	2.2	2.1																				
REF. NO.	IC3004																																							
MODE	21	22	23	24	25	26	27	28	29	30	31	32	33	34	35	36	37	38	39	40																				
STOP	2.1	3.8	2.4	4.9	3.2	2.8	4.9	2.1	2.9	2.9	1.3	0.8	2.7	4.9	0	3.3	0	4.5	2.0	3.0																				
REC	2.1	3.8	1.5	4.9	3.2	2.8	4.9	2.0	2.9	2.9	1.3	0.8	2.7	4.9	1.5	3.3	0	4.5	2.0	3.0																				
REF. NO.	IC3004								IC3007																															
MODE	41	42	43	44	45	46	47	48																																
STOP	3.3	0	1.5	0	2.7	0.4	2.7	2.8																																
REC	3.3	0	1.5	0	2.7	0.4	2.7	2.8																																
REF. NO.	IC3006								IC3007																															
MODE	1	2	3	4	5	6	7	8																																
STOP	6.9	0	7.0	0	0	11.3	6.2	0																																
REC	6.9	0	7.0	0	0	11.3	6.2	0																																
REF. NO.	IC3008								IC3009																															
MODE	1	2	3	4	5	6	7	8																																
STOP	6.9	0	7.0	0	0	11.3	6.2	0																																
REC	6.9	0	7.0	0	0	11.3	6.2	0																																
REF. NO.	IC3011								IC3012																															
MODE	I	G	O																																					
STOP	11.4	0	5.0																																					
REC	11.4	0	5.0																																					
REF. NO.	Q3002			Q3003			Q3004			Q3005			Q3006			Q3007																								
MODE	E	C	B	E	C	B	E	C	B	E	C	B	E	C	B	E	C	B																						
STOP	0.9	4.9	1.5	2.5	4.8	3.3	0.7	4.0	1.4	1.5	3.3	2.2	1.6	11.3	2.2	6.9	0	6.2																						
REC	0.9	4.9	1.5	2.5	4.9	3.3	0.7	4.0	1.4	1.5	3.3	2.2	1.6	11.3	2.2	6.9	0	6.2																						
REF. NO.	Q3008						Q3009						Q3010			Q3011																								
MODE	1	2	3	4	5	6	1	2	3	4	5	6	E	C	B	E	C	B																						
STOP	3.7	3.0	2.6	5.0	2.6	2.0	5.0	2.4	2.0	5.0	2.7	2.4	4.4	1.7	0	3.3	0	2.7																						
REC	3.7	3.0	2.6	5.0	2.6	2.0	5.0	2.4	2.0	5.0	2.7	2.4	4.4	1.7	0	3.3	0	2.7																						
REF. NO.	Q3012			Q3013			Q3014			Q3015			Q3502			Q3503																								
MODE	E	C	B	E	C	B	E	C	B	E	C	B	E	C	B	E	C	B																						
STOP	1.4	3.5	2.0	2.1	0	1.4	1.4	3.5	2.0	2.1	0	1.4	5.0	4.9	4.2	5.0	4.9	4.3																						
REC	1.4	3.5	2.0	2.1	0	1.4	1.4	3.5	2.0	2.1	0	1.4	5.0	4.9	4.2	5.0	4.9	4.3																						
REF. NO.	QR3001			QR3003			QR3500																																	
MODE	E	C	B	E	C	B	E	C	B																															
STOP	0	0	4.9	5.0	0.2	4.9	0	0.1	4.9																															
REC	0	0	4.9	5.0	4.9	0.2	0	0.1	4.9																															

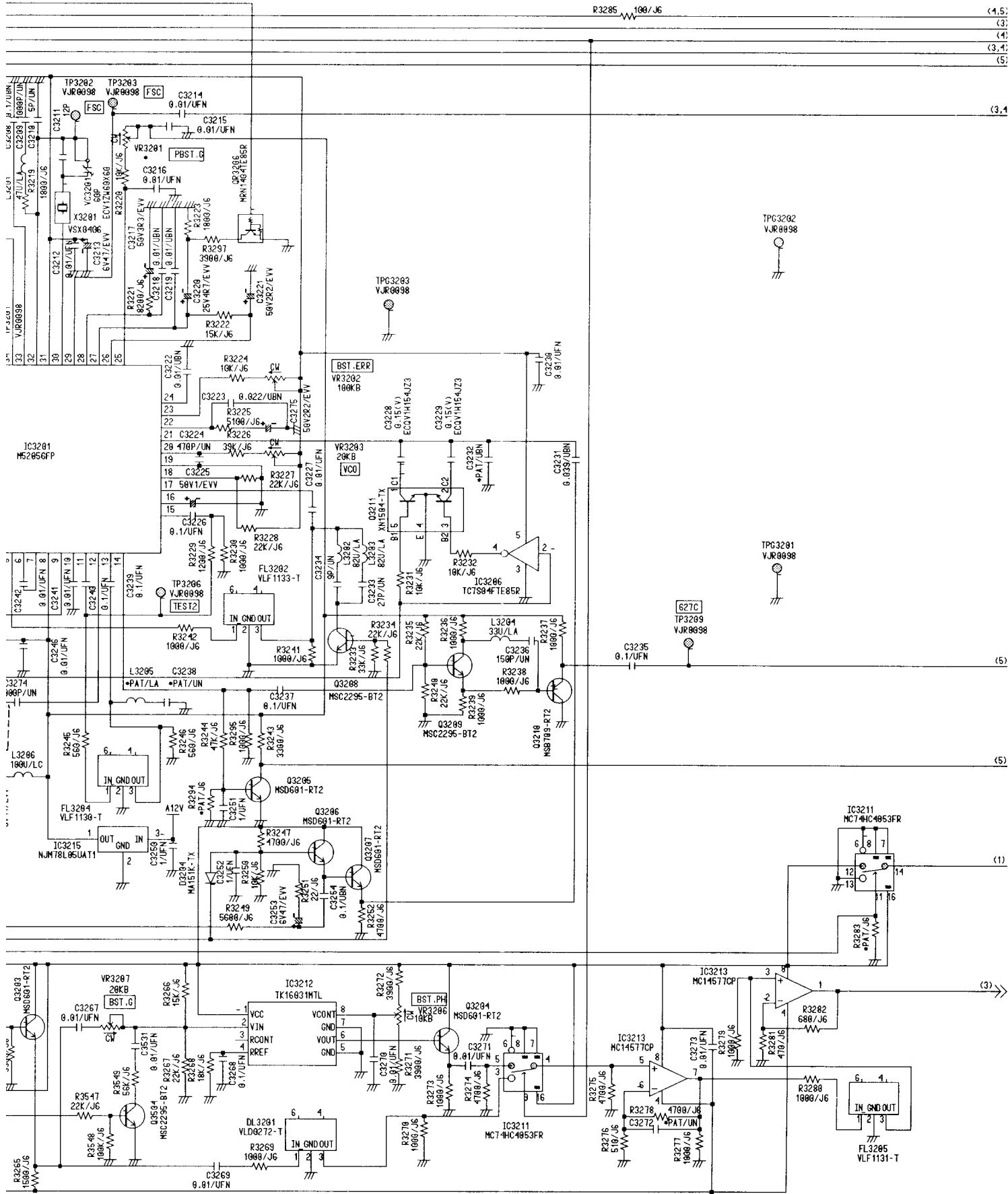


IC3003  
MSM6871RS

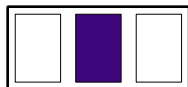


# VIDEO YC-2 SCHEMATIC DIAGRAM 2/6 (E6: Page CBA-7)





Ref No.3200 Series.



## VIDEO YC-2 DC VOLTAGE CHART

(4,5) VV\_SYNC  
 (3) SYNC  
 (4) PB\_BGP  
 (3,4) VV\_C  
 (5) OPS\_H

(3,4) PB\_FSC

(5) 627\_REC.C

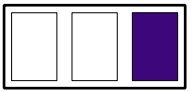
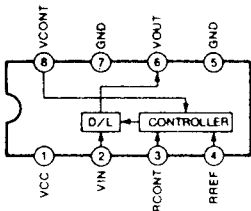
(5) A\_COLOR.L

(1) V\_H

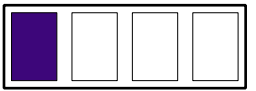
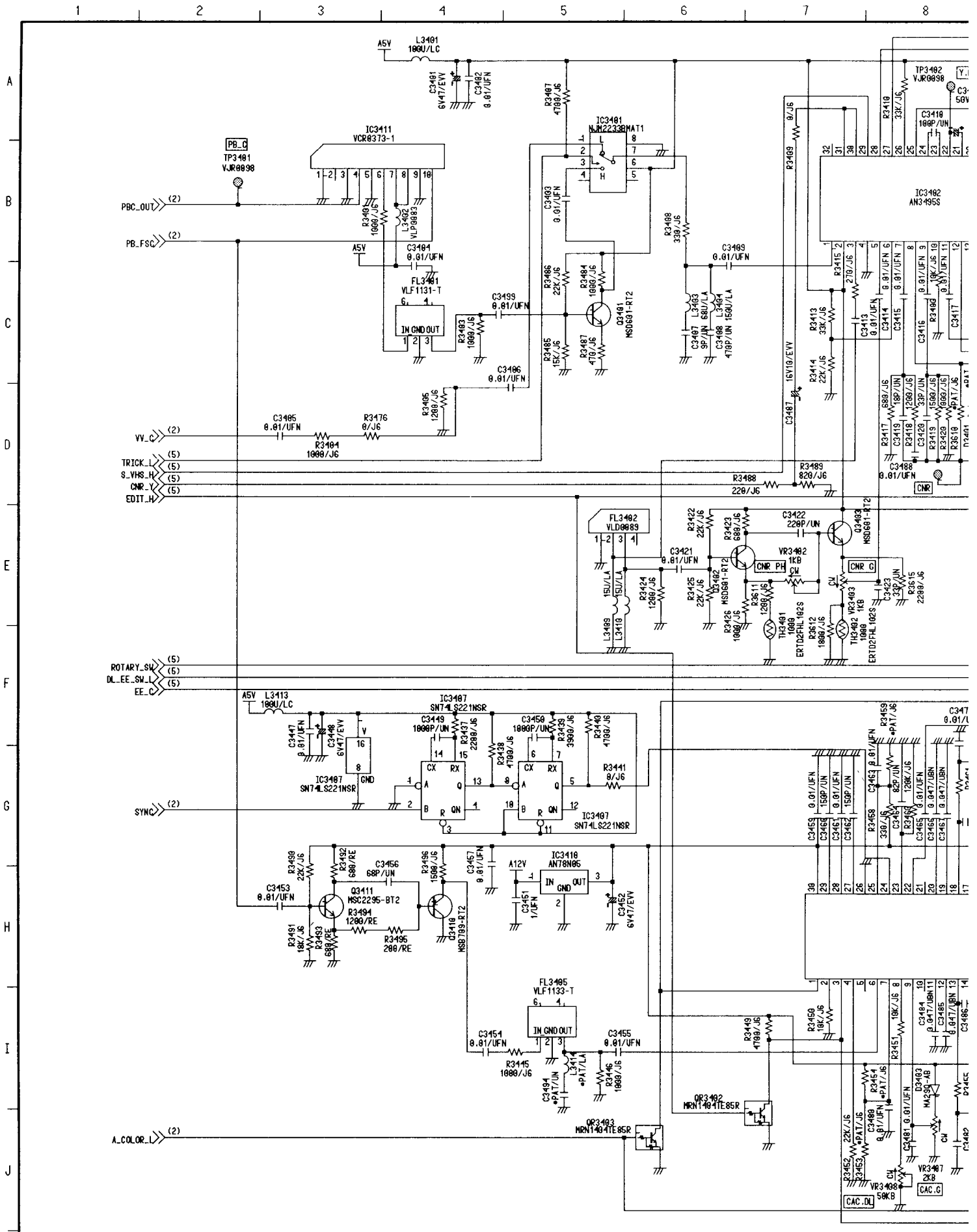
(3) PBC\_OUT

REF. NO.	IC3201																				
MODE	1	2	3	4	5	6	7	8	9	10	11	12	13	14	15	16	17	18	19	20	
STOP	2.3	2.4	5.1	3.2	2.4	3.0	3.9	5.1	3.1	3.4	2.3	3.2	3.1	2.5	3.2	3.4	3.2	2.6	0	0	
REC	2.3	2.4	5.1	3.2	2.4	3.0	3.9	5.1	3.1	3.4	2.3	3.2	3.1	2.5	3.2	3.4	3.2	2.6	0	0	
REF. NO.	IC3201																				
MODE	21	22	23	24	25	26	27	28	29	30	31	32	33	34	35	36	37	38	39	40	
STOP	2.3	3.4	2.0	3.2	0.9	3.4	3.4	4.0	3.6	3.2	5.1	3.9	3.2	0.4	3.0	2.7	0	4.2	4.4	0	
REC	2.3	3.4	2.0	3.2	0.9	3.4	3.4	4.0	3.6	3.0	5.1	3.9	3.2	0.4	3.0	2.7	0	4.2	4.4	0	
REF. NO.	IC3205								IC3206												
MODE	41	42	43	44	45	46	47	48	1	2	3	4	5								
STOP	0	2.5	2.5	0	3.2	3.4	2.5	4.9	0	2.4	0	2.5	5.1								
REC	0	2.5	2.5	0	3.2	3.4	2.5	4.9	0	2.4	0	2.5	5.1								
REF. NO.	IC3207					IC3208															
MODE	1	2	3	4	5	1	2	3	4	5											
STOP	0	4.6	0	0.4	4.9	4.6	4.6	0	4.9	4.9											
REC	0	4.6	0	0.4	4.9	4.6	4.6	0	4.9	4.9											
REF. NO.	IC3209					IC3210															
MODE	1	2	3	4	5	1	2	3	4	5											
STOP	4.5	4.6	0	0	4.9	0	0	0	4.9	4.9											
REC	4.5	4.9	0	0	4.9	0	0	0	4.9	4.9											
REF. NO.	IC3211																				
MODE	1	2	3	4	5	6	7	8	9	10											
STOP	0	0	0	0	0	0	0	0	4.4	0.3											
REC	0	0	0	0	0	0	0	0	4.4	0.3											
REF. NO.	IC3212				IC3213																
MODE	1	2	3	4	1	2	3	4													
STOP	4.7	2.8	2.5	2.3	0.1	-0.1	0	-4.8													
REC	4.7	2.8	2.7	2.3	0.1	-0.1	0	-4.8													
REF. NO.	IC3214			IC3215																	
MODE	I	G	O	I	G	O															
STOP	11.4	0	5.1	11.4	0	5.1															
REC	11.4	0	5.1	11.4	0	5.1															
REF. NO.	IC3216																				
MODE	1	2	3	4	5																
STOP	0.3	0.3	0	4.9	4.7																
REC	0.4	0.4	0	4.9	4.7																
REF. NO.	Q3201			Q3202			Q3203			Q3204			Q3205			Q3206					
MODE	E	C	B	E	C	B	E	C	B	E	C	B	E	C	B	E	C	B			
STOP	3.3	0	2.7	3.3	0	2.7	-0.6	4.7	0	2.2	4.7	2.8	0	0.1	0.6	0.3	4.7	0.6			
REC	3.3	0	2.7	3.3	0	2.7	-0.6	4.7	0	2.5	4.7	2.9	0	0.1	0.6	0.3	4.7	0.6			
REF. NO.	Q3207			Q3208			Q3209			Q3210			Q3211								
MODE	E	C	B	E	C	B	E	C	B	E	C	B	1	2	3	4	5				
STOP	0	4.7	0.3	0	0	0	1.6	3.5	2.4	2.3	0	1.6	0	0	0.4	0	0.3				
REC	0	4.7	0.3	0	0	0	1.6	3.5	2.4	2.3	1.6	0	0	0	0.4	0	0.3				
REF. NO.	Q3212																				
MODE	E	C	B																		
STOP	4.9	4.9	4.3																		
REC	4.9	4.9	4.3																		
REF. NO.	QR3201			QR3202			QR3203			QR3205			QR3206			QR3207					
MODE	E	C	B	E	C	B	E	C	B	E	C	B	E	C	B	E	C	B			
STOP	0	4.9	0	0	0	3.5	0.1	0.1	4.9	0	0	3.4	0	0	3.4	1.6	1.6	4.4			
REC	0	4.9	0	0	0	3.5	0.1	0.1	4.9	0	0	3.4	0	0	3.4	1.6	1.6	4.4			

### IC3212 TK16031MTL



# VIDEO YC-3 SCHEMATIC DIAGRAM 3/6 (E6: Page CBA-7)

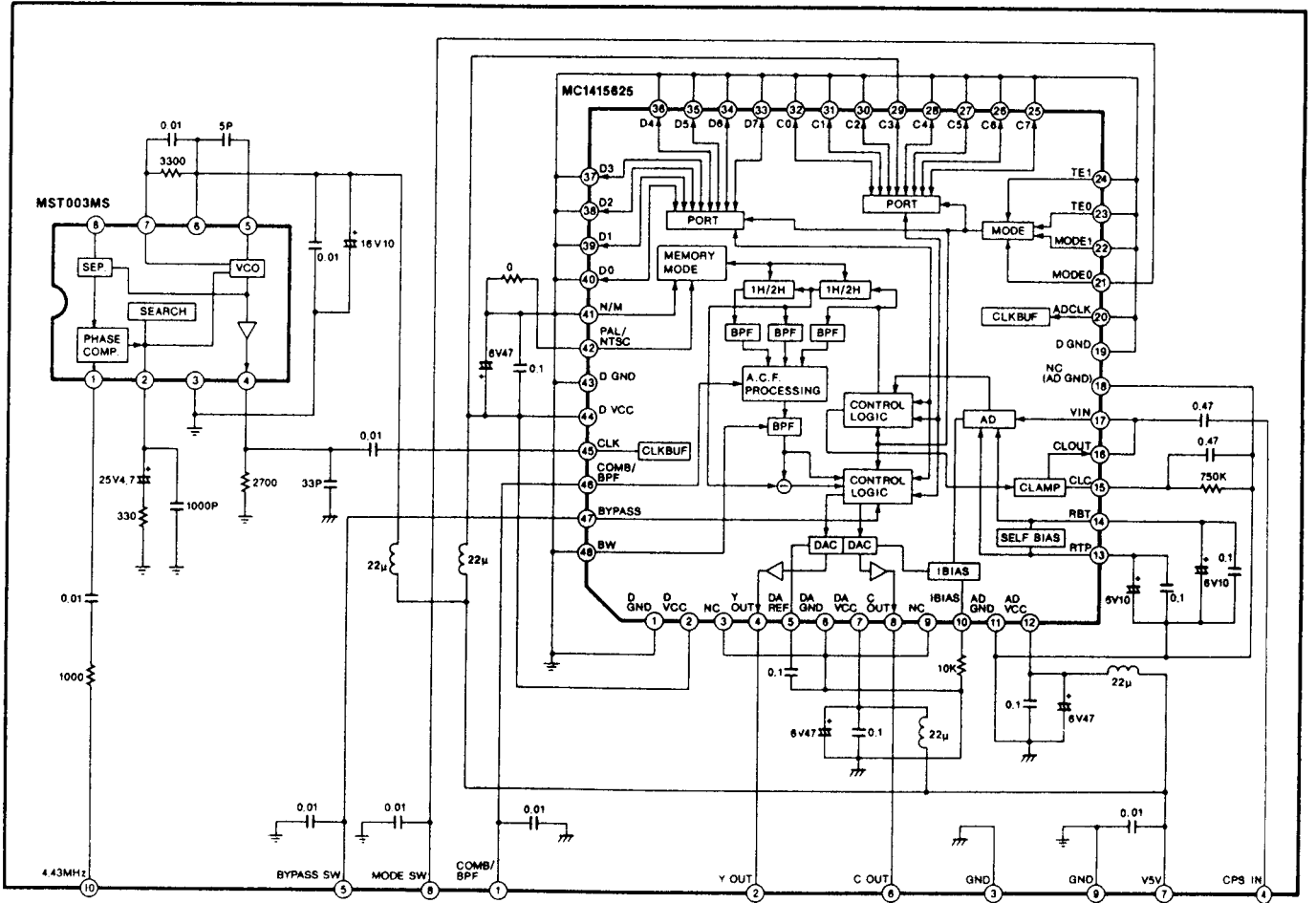




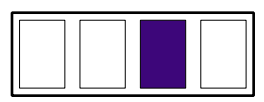
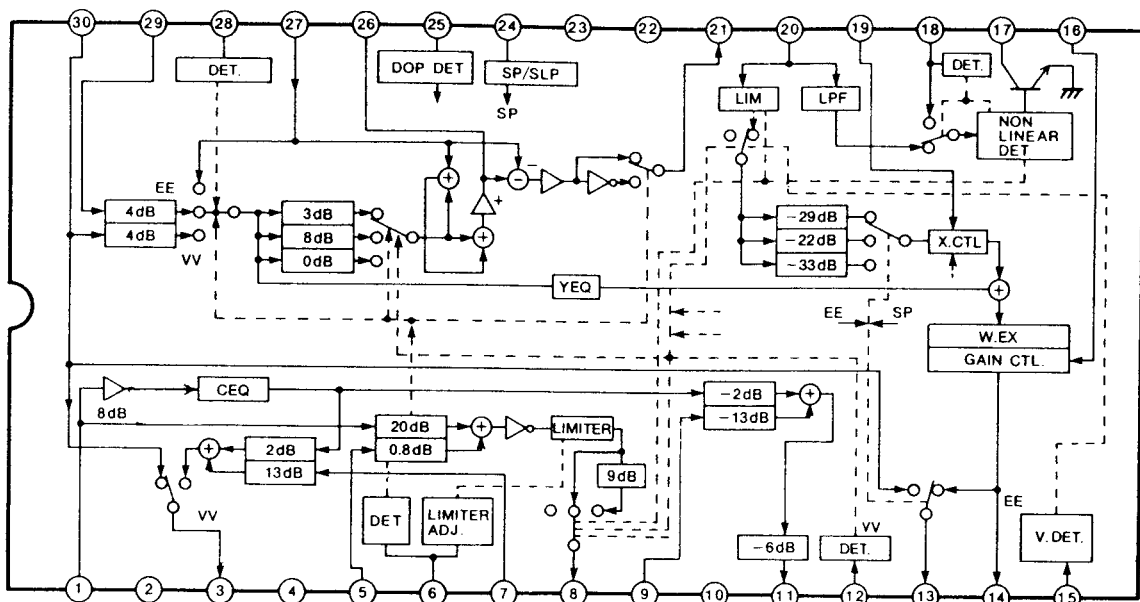




IC3411  
VCR0373



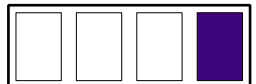
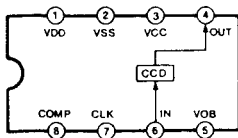
IC3402  
AN3495S



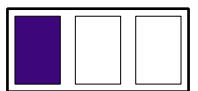
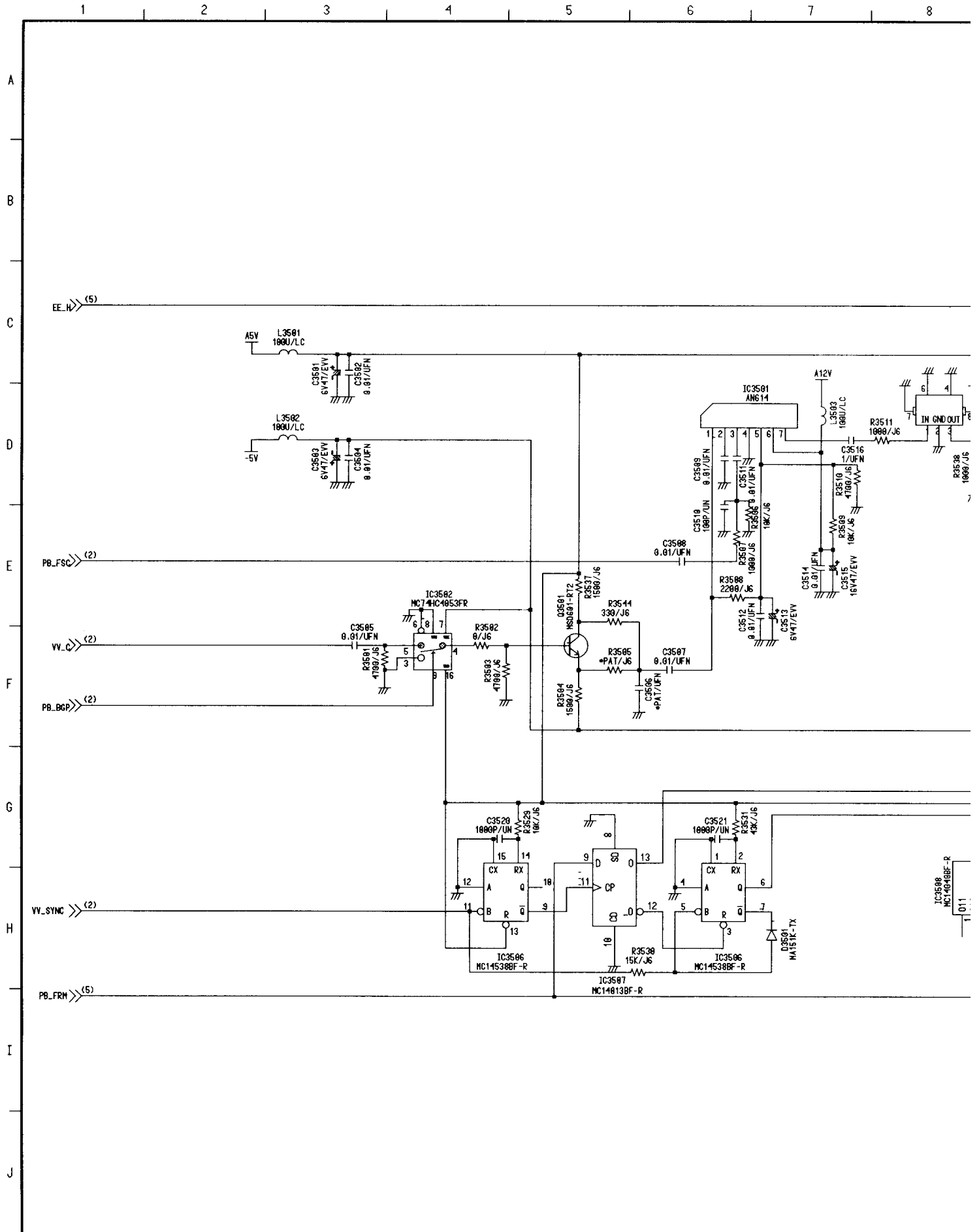
# VIDEO YC-3 DC VOLTAGE CHART

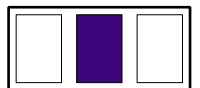
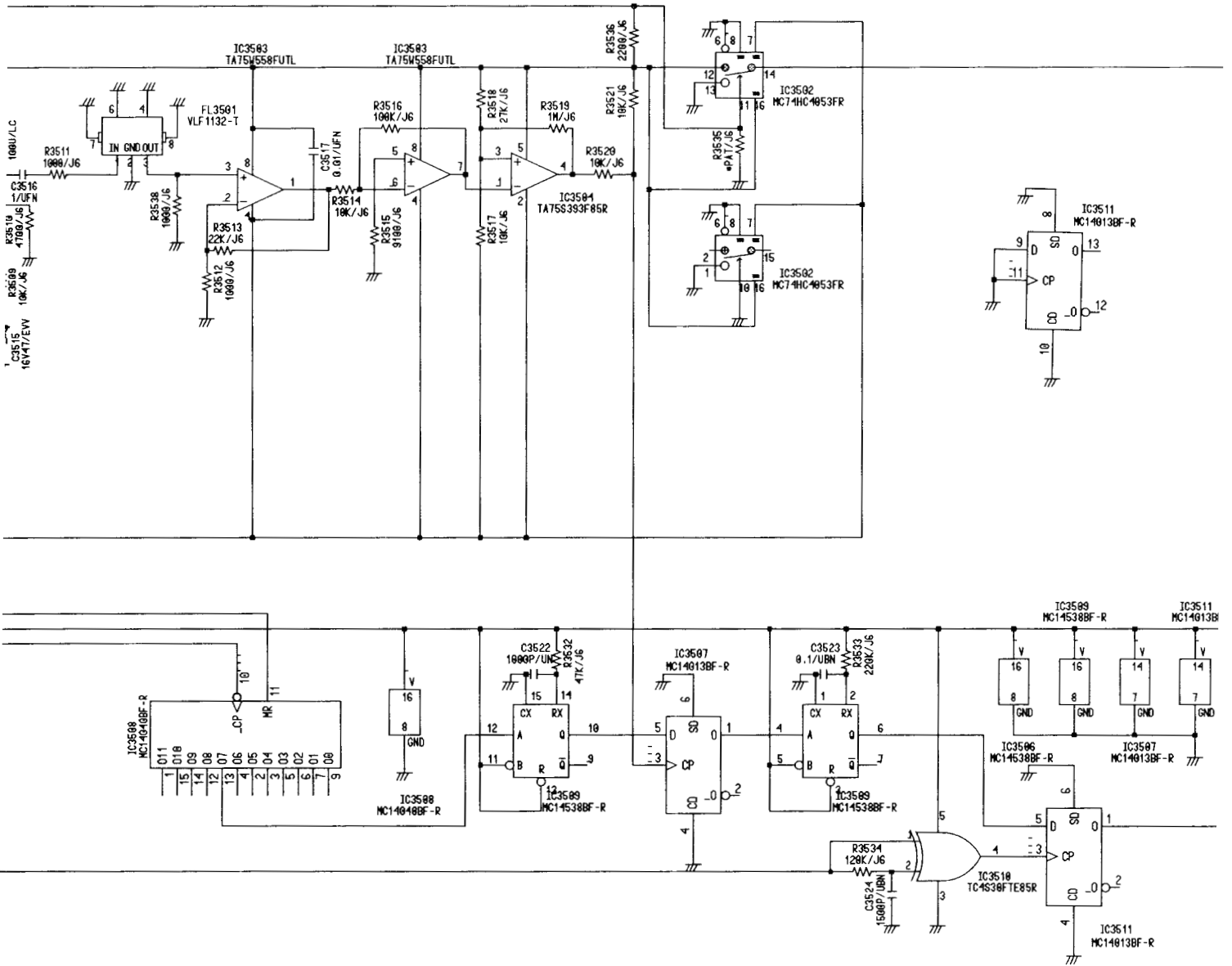
REF. NO.	IC3401																					
MODE	1	2	3	4	5	6	7	8														
STOP	2.8	3.4	2.8	0	0	4.7	2.0	0														
REC	2.8	3.4	2.8	0	0	4.7	2.0	0														
REF. NO.	IC3402																					
MODE	1	2	3	4	5	6	7	8	9	10	11	12	13	14	15	16	17	18	19	20		
STOP	3.1	4.7	1.6	0	3.0	1.9	3.1	1.7	3.1	0	1.6	4.3	1.5	1.7	0	2.4	3.2	0	0	0		
REC	3.0	4.7	1.5	0	3.0	1.9	3.1	1.7	3.1	0	1.6	4.3	1.5	1.7	0	2.4	3.2	0.1	0	0		
REF. NO.	IC3402										IC3404											
MODE	21	22	23	24	25	26	27	28	29	30	31	32										
STOP	2.8	2.5	2.2	2.2	0	4.7	1.5	3.5	4.9	3.5	3.5	0										
REC	2.9	2.5	2.2	2.2	0	4.7	1.5	3.5	4.9	3.5	3.5	0										
REF. NO.	IC3403										IC3404											
MODE	1	2	3	4	5	6	7	8			1	2	3	4	5	6	7	8				
STOP	8.0	0	4.7	2.8	2.6	1.1	1.4	4.1			7.9	0	4.7	2.8	2.6	1.1	1.4	4.1				
REC	7.9	0	4.7	2.8	2.6	1.1	1.4	4.1			7.9	0	4.7	2.8	2.6	1.1	1.4	4.1				
REF. NO.	IC3406																					
MODE	1	2	3	4	5	6	7	8	9	10	11	12	13	14	15	16	17	18	19	20		
STOP	3.0	1.5	0.1	0	0	3.0	2.5	4.0	1.7	0	4.2	3.7	3.0	2.2	5.0	0	2.2	3.0	4.2	3.7		
REC	3.0	1.5	0.1	0	0	3.0	2.5	4.0	1.7	0	4.2	3.7	3.0	2.2	5.0	0	2.2	3.0	4.2	3.7		
REF. NO.	IC3406																					
MODE	21	22	23	24	25	26	27	28	29	30												
STOP	0	2.4	2.7	0.3	5.0	0	4.0	2.5	4.0	5.0												
REC	0	2.4	2.8	0.3	5.0	0	4.0	2.5	4.0	5.0												
REF. NO.	IC3407																					
MODE	1	2	3	4	5	6	7	8	9	10	11	12	13	14	15	16						
STOP	0	0.4	4.9	3.9	0.3	4.6	0	0	0.2	4.9	4.9	3.9	0.2	4.7	1.2	4.9						
REC	0	0.4	4.9	4.0	0.3	4.6	0	0	0.2	4.9	4.9	3.9	0.2	4.7	1.2	4.9						
REF. NO.	IC3408										IC3409											
MODE	1	2	3	4	5	6	7	8			1	2	3	4	5	6	7	8				
STOP	0	0	0	-4.8	0	0	0	4.7			2.8	0	2.8	0.1	2.8	4.7	2.1	0				
REC	0	0	0	-4.8	0	0	0	4.7			2.8	0	2.8	0.1	2.8	4.7	2.1	0				
REF. NO.	IC3410										IC3411											
MODE	I	G	O								1	2	3	4	5	6	7	8	9	10		
STOP	11.4	0	5.0								0	0.9	0	0.1	0	0.9	4.9	4.9	0	0		
REC	11.4	0	5.0								0	0.9	0	0.1	0	0.9	4.9	4.9	0	0		
REF. NO.	IC3412																					
MODE	1	2	3	4	5	6	7	8														
STOP	2.8	0	2.8	0	0	4.7	2.0	0														
REC	2.8	0	2.8	0	0	4.7	2.0	0														
REF. NO.	Q3401			Q3402			Q3403			Q3404			Q3405			Q3406						
MODE	E	C	B	E	C	B	E	C	B	E	C	B	E	C	B	E	C	B				
STOP	1.2	2.1	1.8	1.6	3.0	2.2	1.0	4.7	1.6	2.3	4.7	3.1	2.0	4.6	2.3	2.1	4.7	2.8				
REC	1.2	2.2	1.8	1.6	3.0	2.2	1.0	4.7	1.6	2.3	4.7	3.1	2.0	4.7	2.3	2.1	4.7	2.8				
REF. NO.	Q3407			Q3408			Q3410			Q3411												
MODE	E	C	B	E	C	B	E	C	B	E	C	B										
STOP	2.1	4.7	2.8	2.9	4.7	3.4	2.0	0	1.3	1.3	3.7	2.1										
REC	2.1	4.7	2.8	2.9	4.7	3.4	2.0	0	1.3	1.3	3.7	2.1										
REF. NO.	QR3402			QR3403																		
MODE	E	C	B	E	C	B																
STOP	0	0	4.9	0	3.0	0																
REC	0	0	4.9	0	3.0	0																

IC3403,3404  
MSM6871RS



# VIDEO YC-4 SCHEMATIC DIAGRAM 4/6 (E6: Page CBA-7)

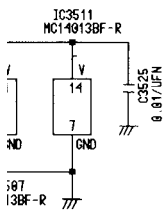




### VIDEO YC-4 DC VOLTAGE CHART

REF. NO.		IC3501									
MODE	1	2	3	4	5	6	7				
STOP	3.7	4.2	4.2	0	3.7	11.4	7.6				
REC	3.7	4.2	4.2	0	3.7	11.4	7.6				
REF. NO.		IC3502									
MODE	1	2	3	4	5	6	7	8	9	10	
STOP	0	0	0	0	0	0	-4.9	0	4.3	0	
REC	0	0	0	0	0	0	-4.9	0	4.4	0	
REF. NO.		IC3502									
MODE	11	12	13	14	15	16					
STOP	4.9	4.9	0	0	0	4.9					
REC	4.9	4.9	0	0	0	4.9					
REF. NO.		IC3503									
MODE	1	2	3	4	5	6	7	8			
STOP	0	0	0	-4.9	0	0	-0.2	4.9			
REC	0	0	0	-4.9	0	0	-0.2	4.9			
REF. NO.		IC3504									
MODE	1	2	3	4	5						
STOP	-0.2	-4.9	-2.2	-4.7	4.9						
REC	-0.2	-4.9	-2.2	-4.8	4.9						
REF. NO.		IC3506									
MODE	1	2	3	4	5	6	7	8	9	10	
STOP	0	3.4	2.4	0	2.9	1.8	3.1	0	3.8	1.1	
REC	0	3.4	2.4	0	3.0	1.8	3.1	0	3.8	1.1	
REF. NO.		IC3506									
MODE	11	12	13	14	15	16					
STOP	4.5	0	4.9	3.8	0	4.9					
REC	4.5	0	4.9	3.8	0	4.9					
REF. NO.		IC3507									
MODE	1	2	3	4	5	6	7	8	9	10	
STOP	0	4.7	0.1	0	0	0	0	0	2.5	0	
REC	0	4.9	0.1	0	0	0	0	0	2.5	0	
REF. NO.		IC3507									
MODE	11	12	13	14							
STOP	3.8	2.4	2.4	4.7							
REC	3.8	2.4	2.4	4.9							
REF. NO.		IC3508									
MODE	1	2	3	4	5	6	7	8	9	10	
STOP	0	1.2	1.1	0.9	1.2	1.2	1.2	0	1.2	1.8	
REC	0	1.2	1.2	1.0	1.2	1.2	1.2	0	1.2	1.8	
REF. NO.		IC3508									
MODE	11	12	13	14	15	16					
STOP	2.4	0.4	1.0	0	0	4.9					
REC	2.4	0.4	1.0	0	0	4.9					
REF. NO.		IC3509									
MODE	1	2	3	4	5	6	7	8	9	10	
STOP	0	2.7	4.9	0	4.9	2.7	2.2	0	4.9	0	
REC	0	2.7	4.9	0	4.9	2.7	2.2	0	4.9	0	
REF. NO.		IC3509									
MODE	11	12	13	14	15	16					
STOP	4.9	1.0	4.9	4.9	0	4.9					
REC	4.9	1.0	4.9	4.8	0	4.9					
REF. NO.		IC3510									
MODE	1	2	3	4	5						
STOP	2.5	2.5	0	0	4.9						
REC	2.5	2.5	0	0	4.9						
REF. NO.		IC3511									
MODE	1	2	3	4	5	6	7	8	9	10	
STOP	2.4	2.4	0	0	2.7	0	0	0	0	0	
REC	2.4	2.4	0	0	2.7	0	0	0	0	0	
REF. NO.		IC3511									
MODE	11	12	13	14							
STOP	0	0	4.9	4.9							
REC	0	0	4.9	4.9							
REF. NO.		Q3501									
MODE	E	C	B								
STOP	-0.6	0.6	0								
REC	-0.6	0.6	0								

(1,2,3,5) >>> EE\_SW\_L



(5) >>> PB\_PALP

-R

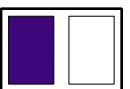
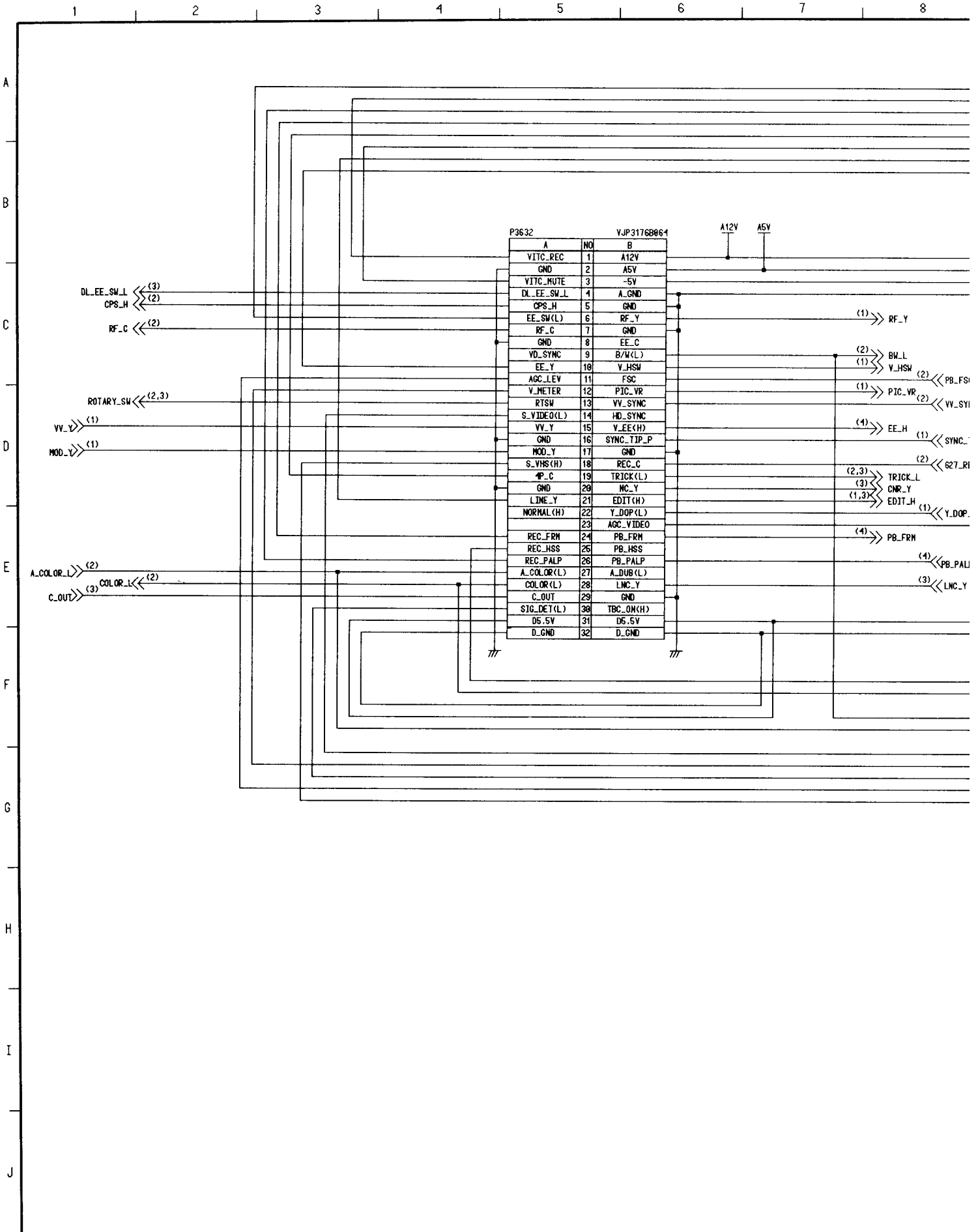


# VIDEO YC COMPARISON CHART 6/6 (E6: Page CBA-7)

\$REF\$	AG-8700	AG-8600
C3002	*PAT/UN	*PAT/UN
C3081	6V47/EVV	*PAT/EVV
C3082	6V47/EVV	*PAT/EVV
C3090	*PAT/UN	*PAT/UN
C3098	*PAT/UN	*PAT/UN
C3099	*PAT/UN	*PAT/UN
C3111	*PAT/UN	*PAT/UN
C3201	*PAT/UN	*PAT/UN
C3232	*PAT/UBN	*PAT/UBN
C3238	*PAT/UN	*PAT/UN
C3247	6P/UN	*PAT/UN
C3272	*PAT/UN	*PAT/UN
C3280	*PAT/UN	*PAT/UN
C3489	0.01/UFN	*PAT/UFN
C3494	*PAT/UN	*PAT/UN
C3506	*PAT/UFN	*PAT/UFN
D3401	*PAT	*PAT
L3010	*PAT/LA	*PAT/LA
L3205	*PAT/LA	*PAT/LA
L3414	*PAT/LA	*PAT/LA
L3415	6R8U/LA	*PAT/LA
P3601	VJS2848D018	*PAT
P3602	VJS2848D018	*PAT
P3603	VJP1233T	*PAT
QR3004	*PAT	*PAT
QR3005	*PAT	*PAT
QR3205	*PAT	*PAT
R3016	0/J6	*PAT/J6
R3023	3900/J6	*PAT/J6
R3046	*PAT/J6	*PAT/J6
R3049	*PAT/J6	*PAT/J6
R3059	*PAT/J6	*PAT/J6
R3060	*PAT/J6	*PAT/J6
R3073	3900/J6	*PAT/J6
R3074	6800/J6	*PAT/J6
R3076	*PAT/J6	*PAT/J6
R3100	*PAT/J6	*PAT/J6
R3101	*PAT/J6	*PAT/J6
R3108	*PAT/J6	*PAT/J6
R3109	*PAT/J6	*PAT/J6
R3110	*PAT/J6	*PAT/J6
R3111	*PAT/J6	*PAT/J6
R3112	*PAT/J6	10K/J6
R3207	*PAT/J6	*PAT/J6
R3217	*PAT/J6	*PAT/J6
R3283	*PAT/J6	*PAT/J6

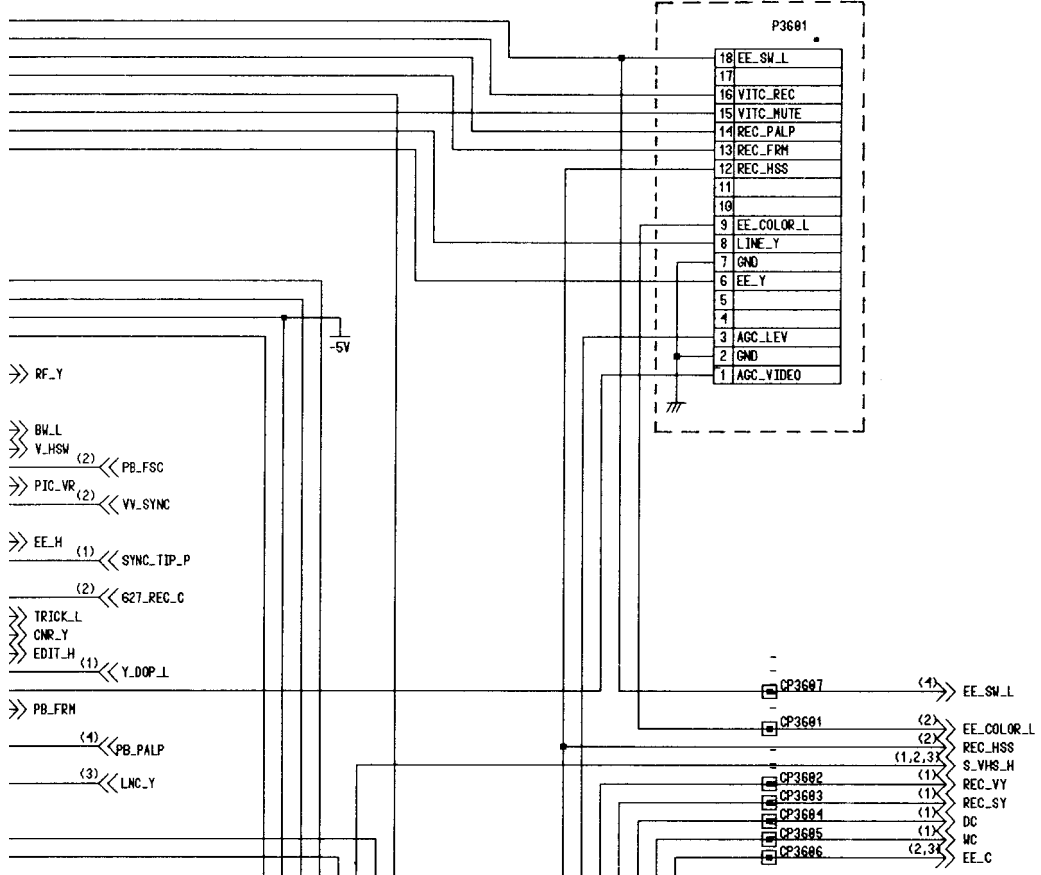
\$REF\$	AG-8700	AG-8600
R3294	*PAT/J6	*PAT/J6
R3442	*PAT/J6	*PAT/J6
R3447	*PAT/J6	*PAT/J6
R3453	*PAT/J6	*PAT/J6
R3454	*PAT/J6	*PAT/J6
R3456	*PAT/J6	*PAT/J6
R3459	*PAT/J6	*PAT/J6
R3464	*PAT/J6	0/J6
R3466	*PAT/J6	*PAT/J6
R3469	*PAT/J6	*PAT/J6
R3498	100/J6	*PAT/J6
R3505	*PAT/J6	*PAT/J6
R3535	*PAT/J6	*PAT/J6
R3552	*PAT/J6	*PAT/J6
R3610	*PAT/J6	*PAT/J6
R3613	*PAT/J6	*PAT/J6
TH3001	*PAT	*PAT
TP3003	VJR0098	*PAT
TP3005	VJR0098	*PAT
VC3202	ECV1ZW20X60	*PAT
VR3001	5KB	*PAT
VR3002	5KB	*PAT
VR3007	5KB	*PAT
VR3201	100KB	*PAT
VR3405	1KB	*PAT

# VIDEO YC-5 SCHEMATIC DIAGRAM 5/6 (E6: Page CBA-7)

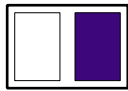
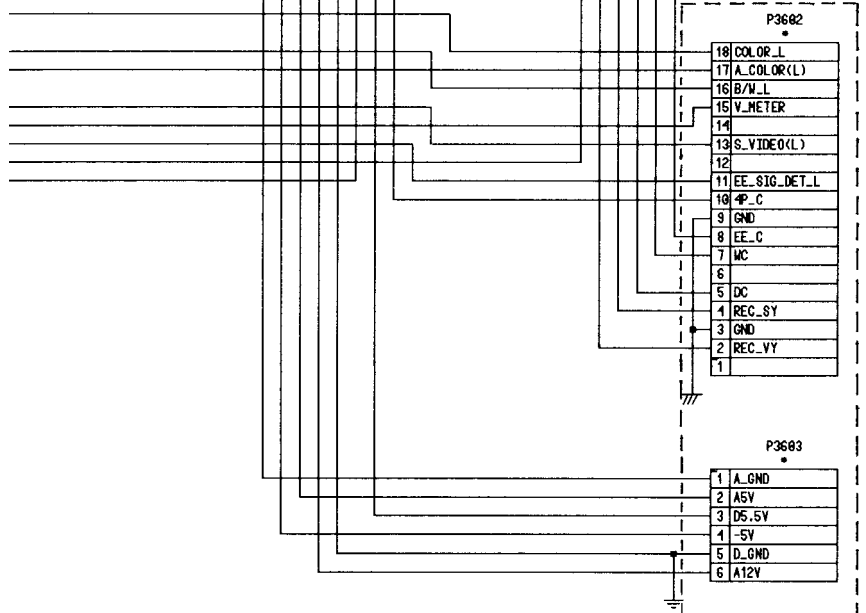




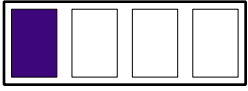
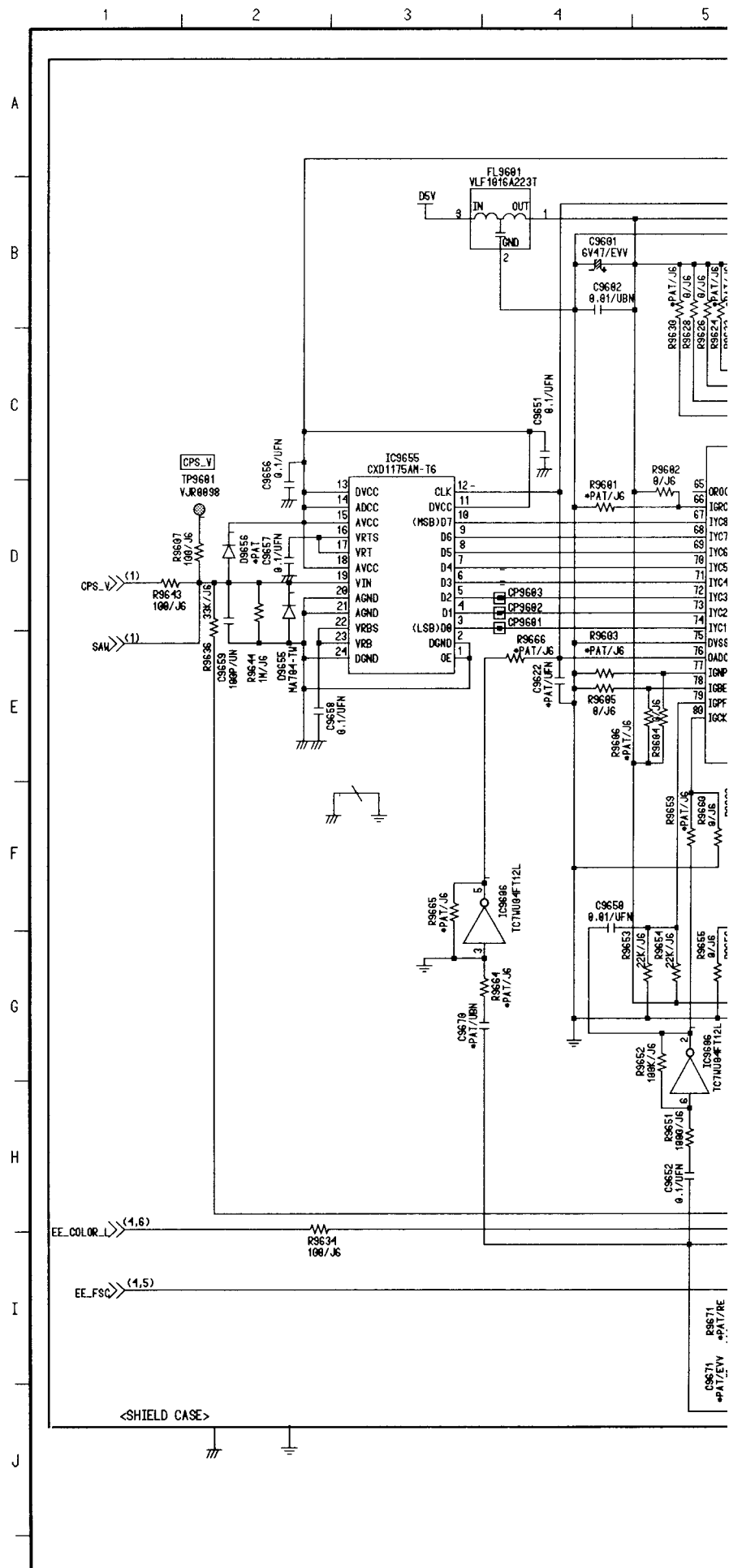
AG-8700 ONLY



AG-8700 ONLY

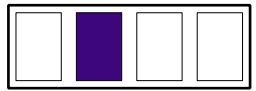
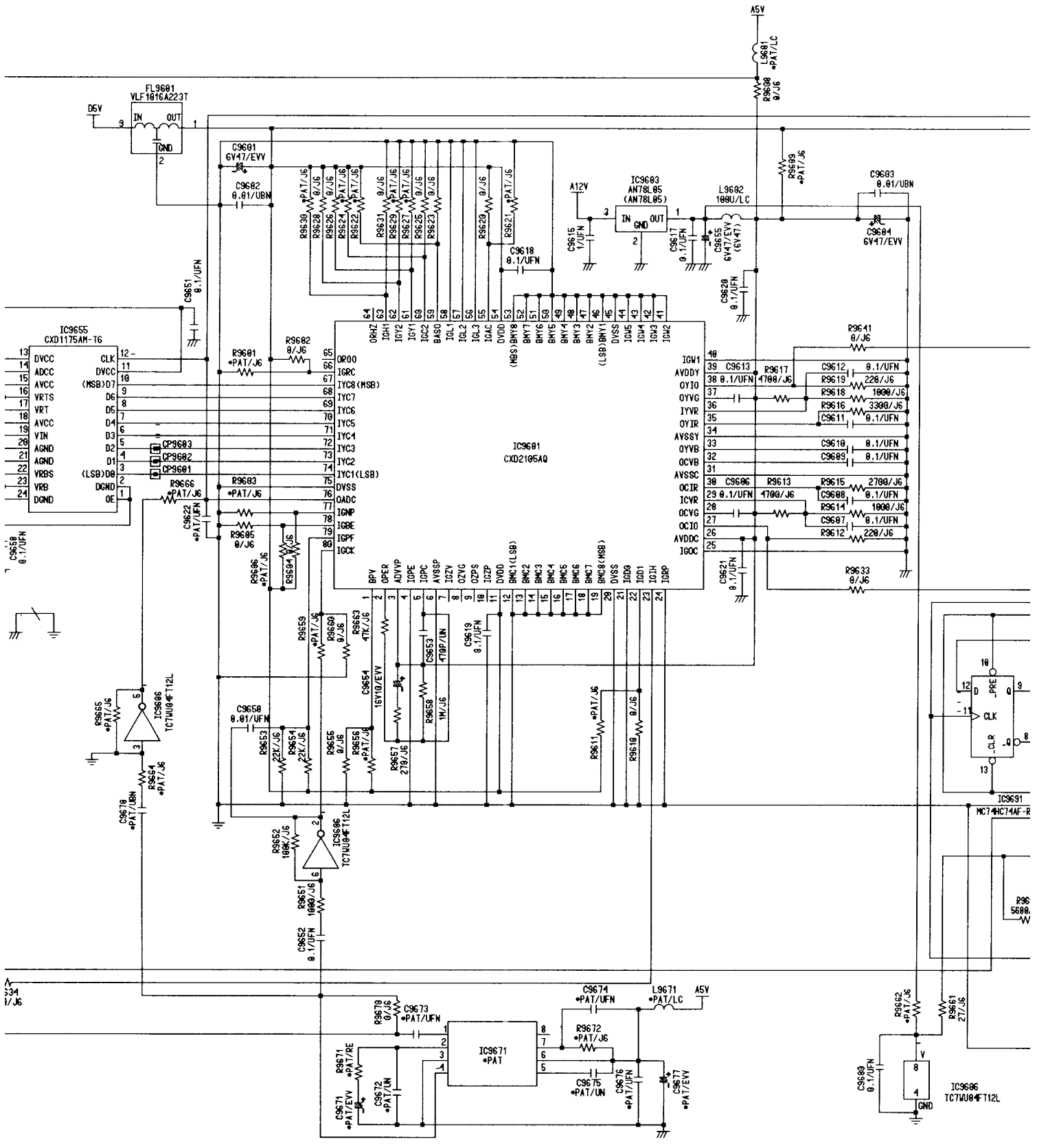


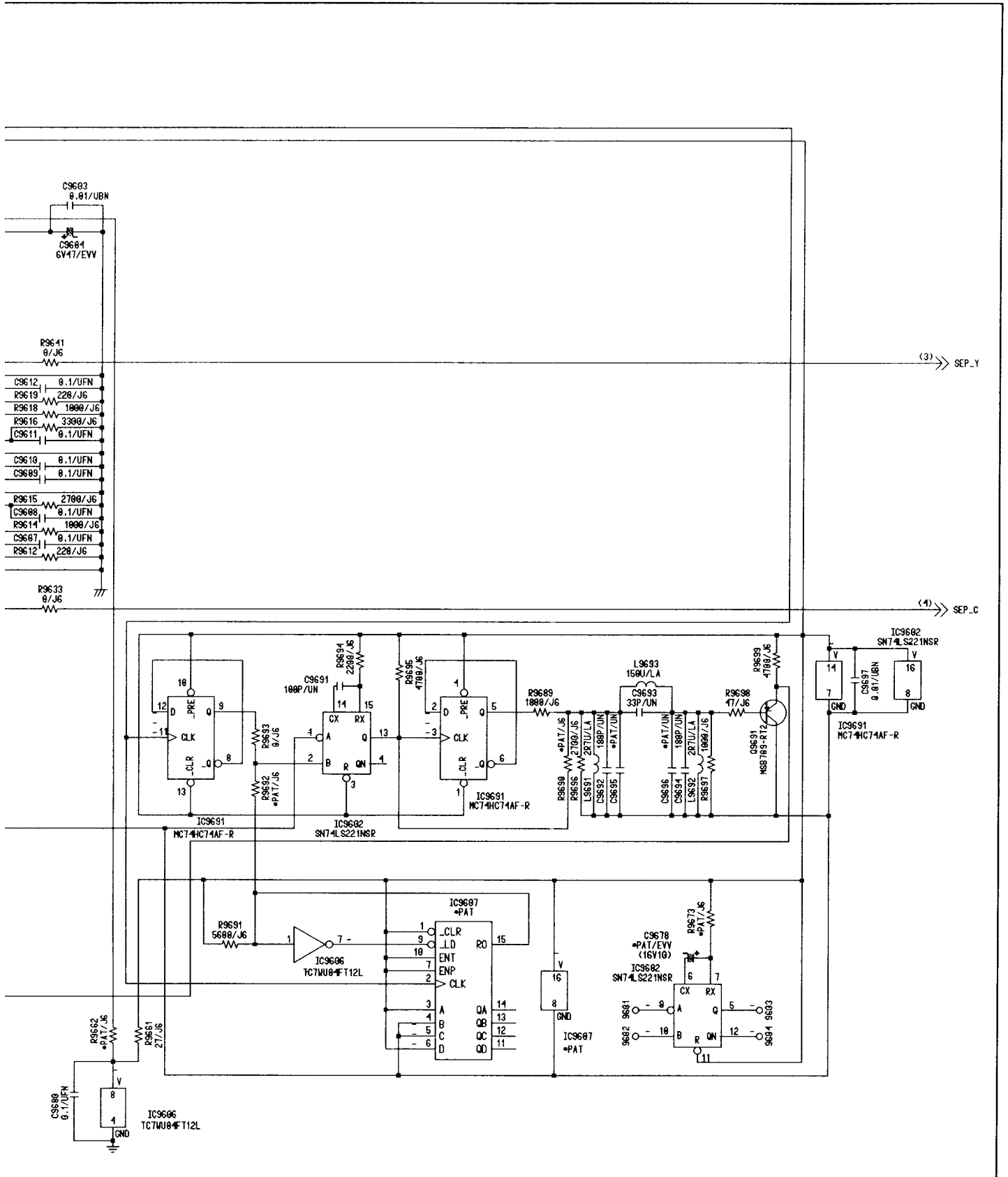
# YC REC-2 SCHEMATIC DIAGRAM 2/6 (E13: A)



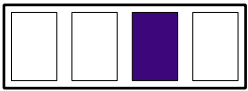
# ATIC DIAGRAM 2/6 (E13: AG-8700 ONLY/Page CBA-6)

3 4 5 6 7 8 9 10

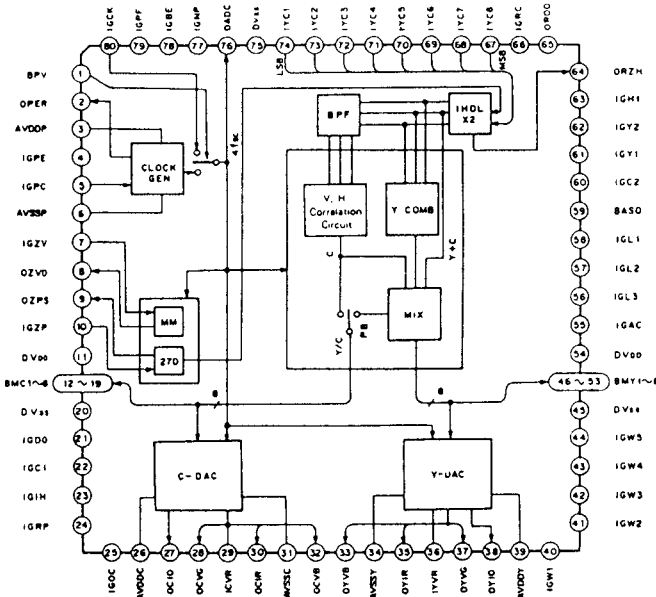




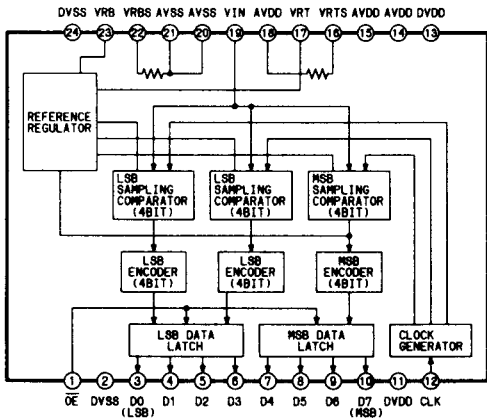
\*PAT=PATTERN ONLY  
 =REFER TO THE COMPARISON CHART  
 Ref No.9601\*9699 Series



**IC9601**  
**CXD2105AQ**

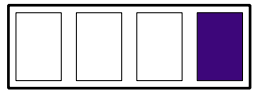


**IC9655**  
**CXD1175AM**

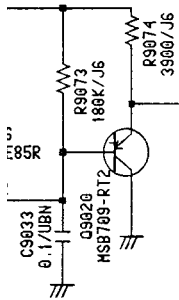
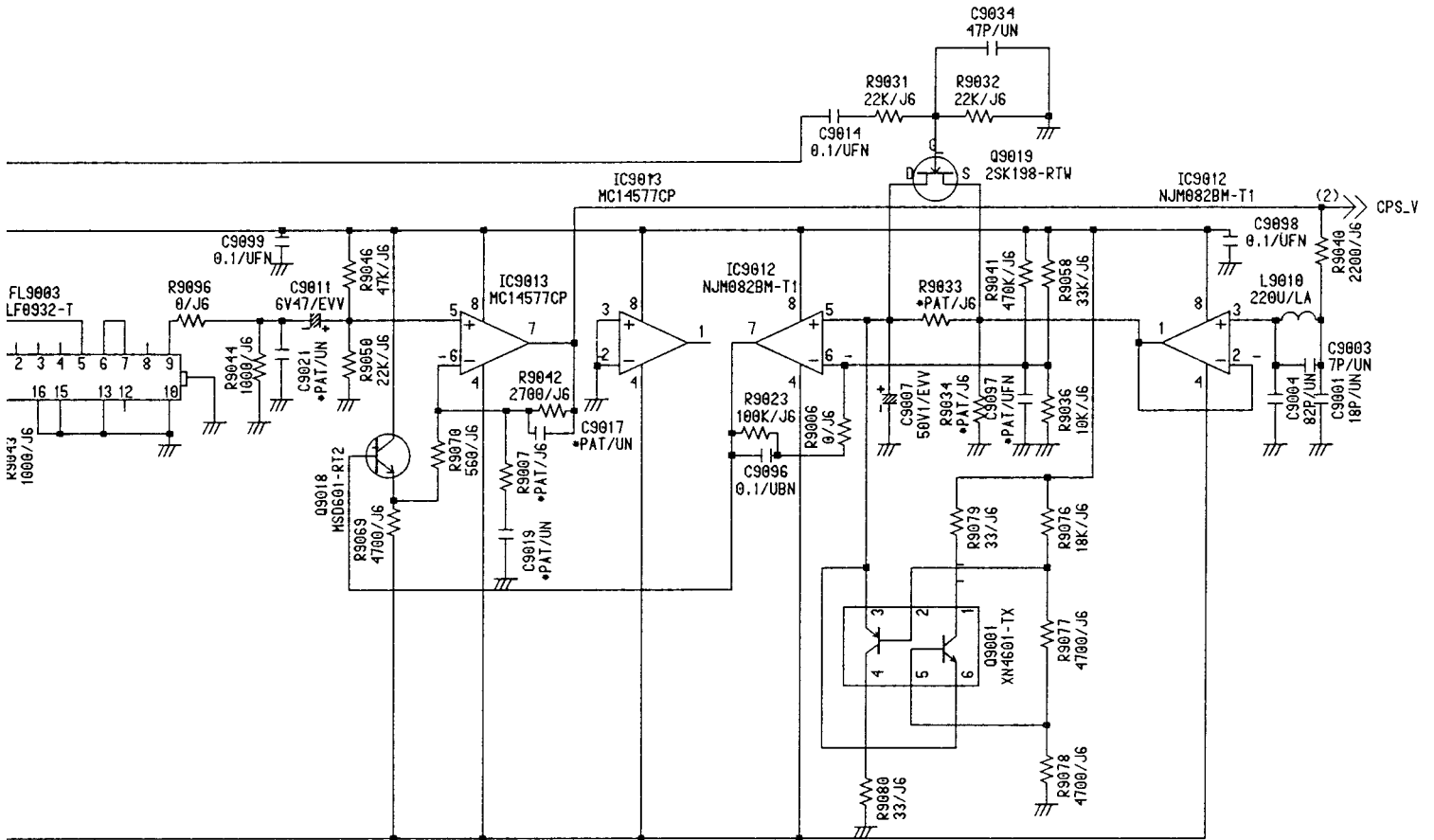
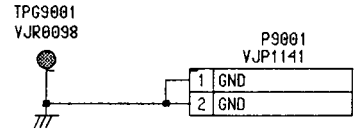


**YC REC-2 DC VOLTAGE CHART**

REF. NO.	IC9601									
MODE	1	2	3	4	5	6	7	8	9	10
STOP	0	1.7	4.9	0.1	1.8	0.1	0	0	0	0
REC	0	1.7	4.9	0.1	1.8	0.1	0	0	0	0
REF. NO.	IC9601									
MODE	11	12	13	14	15	16	17	18	19	20
STOP	4.9	0	0	0	0	0	0	0	0	0
REC	4.9	0	0	0	0	0	0	0	0	0
REF. NO.	IC9601									
MODE	21	22	23	24	25	26	27	28	29	30
STOP	0	0	0.1	0	0	4.9	0.5	3.4	0.8	0.9
REC	0	0	0.1	0	0	4.9	0.5	3.4	0.8	0.9
REF. NO.	IC9601									
MODE	31	32	33	34	35	36	37	38	39	40
STOP	0	0.4	0.4	0	0.9	0.8	3.5	0.4	4.9	0
REC	0	0.4	0.4	0	0.9	0.8	3.5	0.4	4.9	0
REF. NO.	IC9601									
MODE	41	42	43	44	45	46	47	48	49	50
STOP	0	0	0	0	0	0	0	0	0	0
REC	0	0	0	0	0	0	0	0	0	0
REF. NO.	IC9601									
MODE	51	52	53	54	55	56	57	58	59	60
STOP	0	0	0	5.1	5.1	0	0	0	0	0
REC	0	0	0	5.1	5.1	0	0	0	0	0
REF. NO.	IC9601									
MODE	61	62	63	64	65	66	67	68	69	70
STOP	5.1	5.1	0	0	0	5.1	1.6	2.8	1.1	2.7
REC	5.1	5.1	0	0	0	5.1	1.6	2.9	1.0	2.8
REF. NO.	IC9601									
MODE	71	72	73	74	75	76	77	78	79	80
STOP	1.5	2.1	1.2	1.2	0	1.2	5.1	0	2.4	0
REC	1.6	2.1	1.3	1.2	0	1.2	5.1	0	2.4	0
REF. NO.	IC9602									
MODE	1	2	3	4	5	6	7	8	9	10
STOP	0	2.2	4.9	0.4	0.1	5.1	0.4	0	1.4	0.8
REC	0	2.2	4.9	0.4	0.1	5.1	0.3	0	1.4	0.8
REF. NO.	IC9602									
MODE	11	12	13	14	15	16				
STOP	5.1	0.1	2.1	1.6	1.2	5.1				
REC	5.1	0.1	2.1	1.6	1.2	5.1				
REF. NO.	IC9603									
MODE	1	2	3							
STOP	5.1	0	11.4							
REC	5.1	0	11.4							
REF. NO.	IC9606									
MODE	1	2	3	4	5	6	7	8		
STOP	5.1	2.5	0	0	4.9	2.5	0	4.9		
REC	5.1	2.5	0	0	4.9	2.5	0	4.9		
REF. NO.	IC9655									
MODE	1	2	3	4	5	6	7	8	9	10
STOP	0	0	1.2	1.1	2.1	1.4	2.7	1.1	2.8	1.6
REC	0	0	1.2	1.5	2.1	1.7	2.8	1.0	2.8	1.6
REF. NO.	IC9655									
MODE	11	12	13	14	15	16	17	18	19	20
STOP	4.9	1.2	4.9	4.9	0	2.7	2.7	4.9	1.6	0
REC	4.9	1.1	4.9	4.9	0	2.7	2.7	4.9	1.6	0
REF. NO.	IC9655									
MODE	21	22	23	24						
STOP	0	0.6	0.6	0						
REC	0	0.6	0.6	0						
REF. NO.	IC9691									
MODE	1	2	3	4	5	6	7	8	9	10
STOP	4.9	2.5	2.1	4.9	2.4	2.5	0	2.1	2.2	5.1
REC	4.9	2.5	2.1	4.9	2.4	2.5	0	2.1	2.2	5.1
REF. NO.	IC9691									
MODE	11	12	13	14						
STOP	1.2	2.1	5.1	5.1						
REC	1.2	2.1	5.1	5.1						
REF. NO.	Q9691									
MODE	E	C	B							
STOP	0.5	0	0							
REC	0.5	0	0							

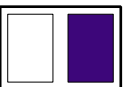






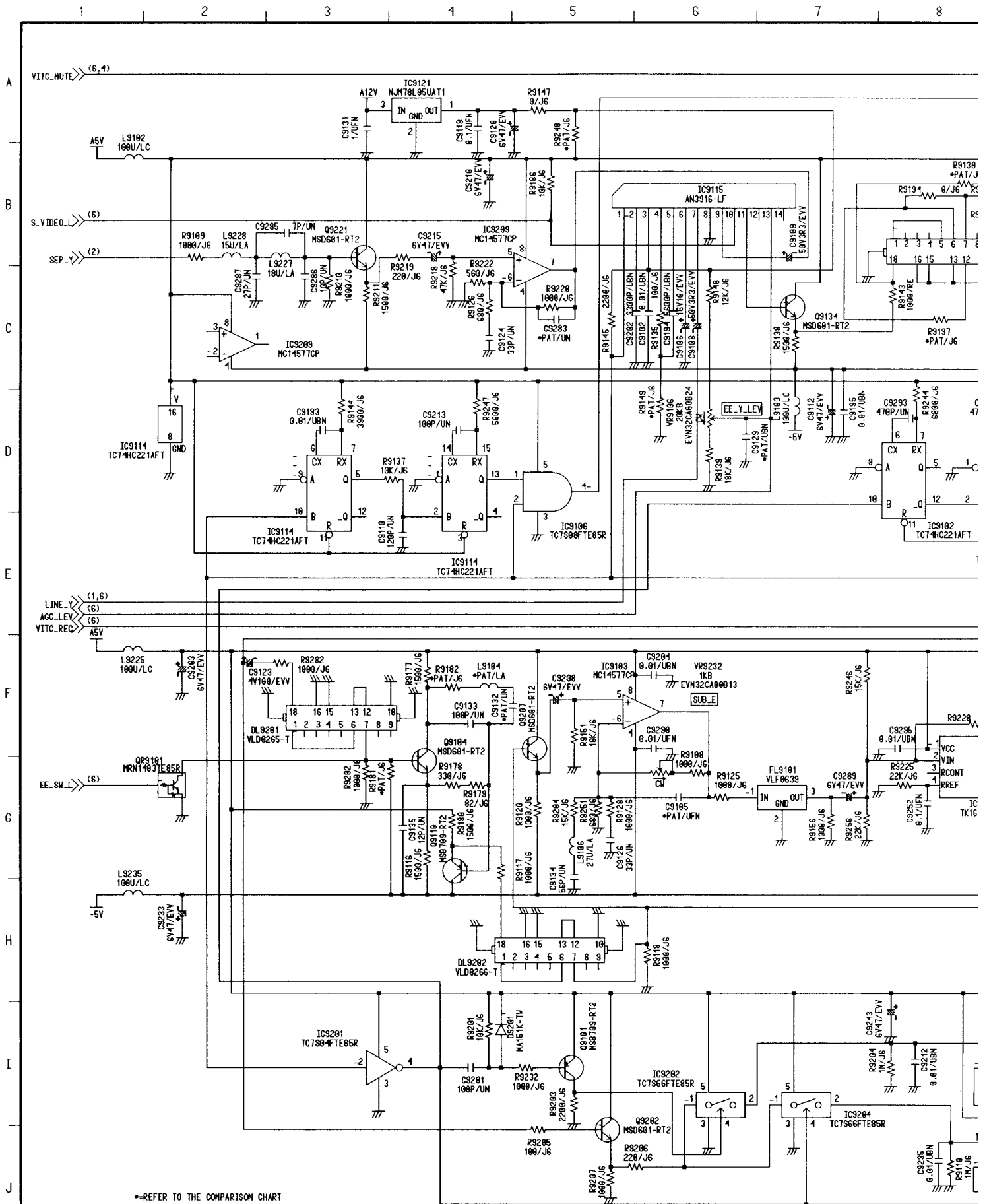
**YC REC-1 DC VOLTAGE CHART**

REF. NO.	IC9012								IC9013							
MODE	1	2	3	4	5	6	7	8	1	2	3	4	5	6	7	8
STOP	1.6	1.6	1.6	-4.8	1.3	0	2.1	4.7	1.2	0	0	-4.8	1.5	1.5	1.6	4.7
REC	1.6	1.6	1.6	-4.8	1.3	0	2.1	4.7	1.2	0	0	-4.8	1.5	1.5	1.6	4.7
REF. NO.	IC9014															
MODE	1	2	3	4	5	6	7	8	9	10	11	12	13	14	15	16
STOP	0	4.7	4.9	1.9	0.1	0	4.8	0	0	3.0	4.9	4.8	3.0	0	3.4	4.9
REC	0	4.7	4.9	1.9	0.1	0	4.8	0	0	3.0	4.9	4.8	3.0	0	3.4	4.9
REF. NO.	IC9015															
MODE	1	2	3	4	5	6	7	8	9	10	11	12	13	14		
STOP	4.7	3.0	5.1	2.0	1.7	2.2	3.0	0	2.9	5.1	2.8	3.0	2.3	1.6		
REC	4.7	3.0	5.1	2.0	1.7	2.2	3.0	0	2.9	5.1	2.8	3.0	2.3	1.6		
REF. NO.	IC9021															
MODE	O	G	I													
STOP	5.1	0	11.4													
REC	5.1	0	11.4													
REF. NO.	Q9008			Q9018			Q9019									
MODE	E	C	B	E	C	B	S	G	D							
STOP	0.6	-4.8	0	1.5	4.7	2.1	1.6	0	1.3							
REC	0.6	-4.8	0	1.5	4.9	2.2	1.6	0	1.3							

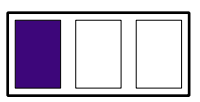




# YC REC-3 SCHEMATIC DIAGRAM 3/6 (E13: AG-8700 ONLY/Page CBA-6)

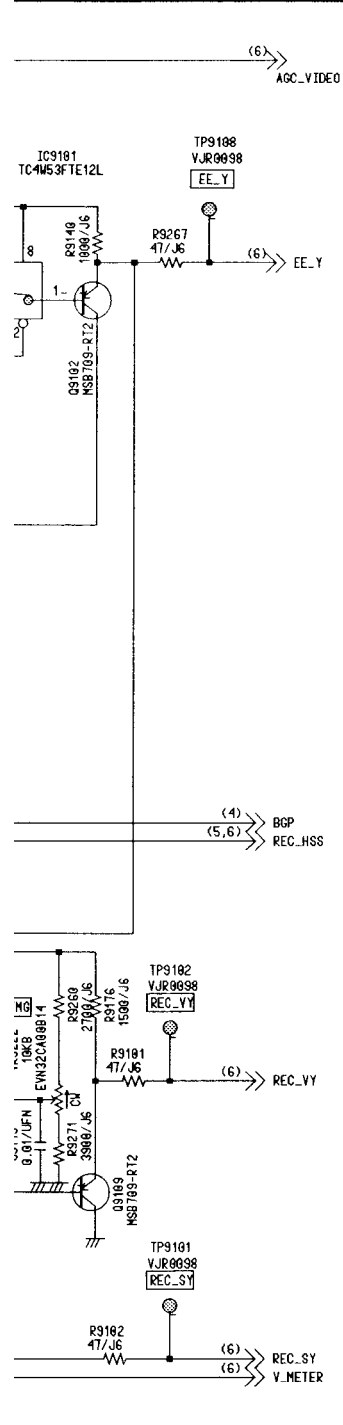


==REFER TO THE COMPARISON CHART  
Ref No.9101~9299 Series.



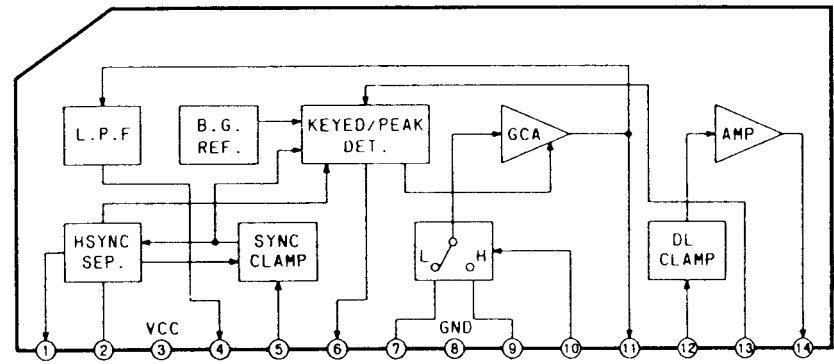


### YC REC-3 DC VOLTAGE CHART

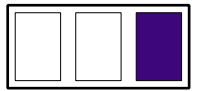
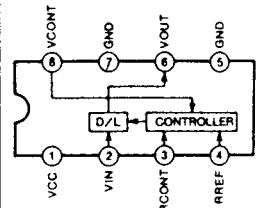


REF. NO.	IC9101																	
MODE	1	2	3	4	5	6	7	8										
STOP	1.4	0	-4.6	0	0	1.2	1.4	4.6										
REC	1.4	0	-4.6	0	0.2	1.2	1.4	4.6										
REF. NO.	IC9102																	
MODE	1	2	3	4	5	6	7	8	9	10	11	12	13	14	15	16		
STOP	0	4.3	4.6	4.3	0.3	0	4.4	0	0	0.3	4.6	4.3	0.2	0	4.4	4.6		
REC	0	4.3	4.6	4.3	0.3	0	4.4	0	0	0.3	4.6	4.3	0.2	0	4.4	4.6		
REF. NO.	IC9103								IC9104									
MODE	1	2	3	4	5	6	7	8	1	2	3	4	5					
STOP	0	0	0	-4.7	0	0	0	4.6	0	0.3	0	4.5	4.6					
REC	0	0	0	-4.7	0	0	0	4.6	0	0.3	0	4.5	4.6					
REF. NO.	IC9105																	
MODE	1	2	3	4	5	6	7	8	9	10	11	12	13	14	15	16		
STOP	4.5	4.6	4.6	0	0	0	4.4	0	0	4.1	4.6	4.6	4.6	0	1.3	4.6		
REC	4.5	4.6	4.6	0	0	0	4.4	0	0	4.1	4.6	4.6	4.6	0	1.3	4.6		
REF. NO.	IC9112								IC9113									
MODE	1	2	3	4	5	6	7	8	1	2	3	4	5	6	7	8		
STOP	2.1	1.2	1.2	-4.6	1.4	1.4	1.4	4.6	1.4	1.4	1.4	-4.6	0	-0.1	0	4.6		
REC	2.1	1.2	1.2	-4.6	1.4	1.4	1.4	4.6	1.4	1.4	1.4	-4.6	0	-0.1	0	4.6		
REF. NO.	IC9114																	
MODE	1	2	3	4	5	6	7	8	9	10	11	12	13	14	15	16		
STOP	0	2.7	4.6	4.5	2.7	0	3.3	0	0	4.6	4.6	1.9	0.1	0	4.5	4.6		
REC	0	2.7	4.6	4.5	2.7	0	3.3	0	0	4.6	4.6	1.9	0.1	0	4.5	4.6		
REF. NO.	IC9115																	
MODE	1	2	3	4	5	6	7	8	9	10	11	12	13	14				
STOP	4.6	3.0	5.0	1.9	1.6	2.2	3.0	0	2.9	3.2	2.6	3.0	2.9	1.6				
REC	4.6	3.0	5.0	1.9	1.6	2.2	2.9	0	2.9	3.2	2.6	3.0	2.9	1.6				
REF. NO.	IC9121					IC9201												
MODE	1	2	3			1	2	3	4	5								
STOP	5.0	0	11.4			0	4.6	0	0.3	4.6								
REC	5.0	0	11.4			0	4.6	0	0.3	4.6								
REF. NO.	IC9202																	
MODE	1	2	3	4	5	6	7	8										
STOP	1.4	1.2	0.3	0	0.9	1.4	0.2	4.6										
REC	1.4	1.2	0.3	0	0.9	1.4	0.2	4.6										
REF. NO.	IC9203																	
MODE	1	2	3	4	5	6	7	8	9	10	11	12	13	14				
STOP	1.2	1.2	1.2	4.6	1.1	1.1	1.7	1.0	1.0	1.0	0	0.2	0.2	0				
REC	1.2	1.2	1.2	4.6	1.1	1.1	1.7	1.0	1.0	1.0	0	0.2	0.2	0				
REF. NO.	IC9209								IC9212									
MODE	1	2	3	4	5	6	7	8	1	2	3	4	5	6	7	8		
STOP	-4.6	0	0	-4.6	0	0	0	4.6	4.6	2.7	2.5	2.2	0	2.7	0	2.2		
REC	-4.6	0	0	-4.6	0	0	0	4.6	4.6	2.7	2.5	2.2	0	2.8	0	2.2		
REF. NO.	IC9222																	
MODE	1	2	3	4	5	6	7	8										
STOP	4.6	2.7	2.5	2.4	0	2.7	0	2.5										
REC	4.6	2.7	2.5	2.4	0	2.7	0	2.5										
REF. NO.	Q9101			Q9102			Q9103			Q9104			Q9107					
MODE	E	C	B	E	C	B	1	2	3	4	5	6	E	C	B	E	C	B
STOP	4.6	0.2	4.5	2.0	-4.6	1.4	4.6	1.2	1.7	-4.6	1.7	1.2	-0.7	0.6	0	-0.7	4.6	0
REC	4.6	0.2	4.5	2.0	-4.6	1.4	4.6	1.2	1.7	-4.6	1.7	1.2	-0.7	0.6	0	-0.7	4.6	0
REF. NO.	Q9108			Q9109			Q9110			Q9118			Q9119			Q9134		
MODE	E	C	B	E	C	B	E	C	B	E	C	B	S	G	D	E	C	B
STOP	2.5	0	1.9	2.5	0	1.9	0	-4.7	-0.7	1.5	4.6	2.1	1.4	0	1.4	2.0	4.6	2.6
REC	2.5	0	1.9	2.5	0	1.9	0	-4.7	-0.7	1.5	4.6	2.1	1.4	0	1.4	2.0	4.6	2.6
REF. NO.	Q9202			Q9207														
MODE	E	C	B	E	C	B												
STOP	1.4	4.6	2.0	-0.7	4.6	0												
REC	1.4	4.6	2.0	-0.7	4.6	0												

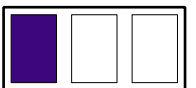
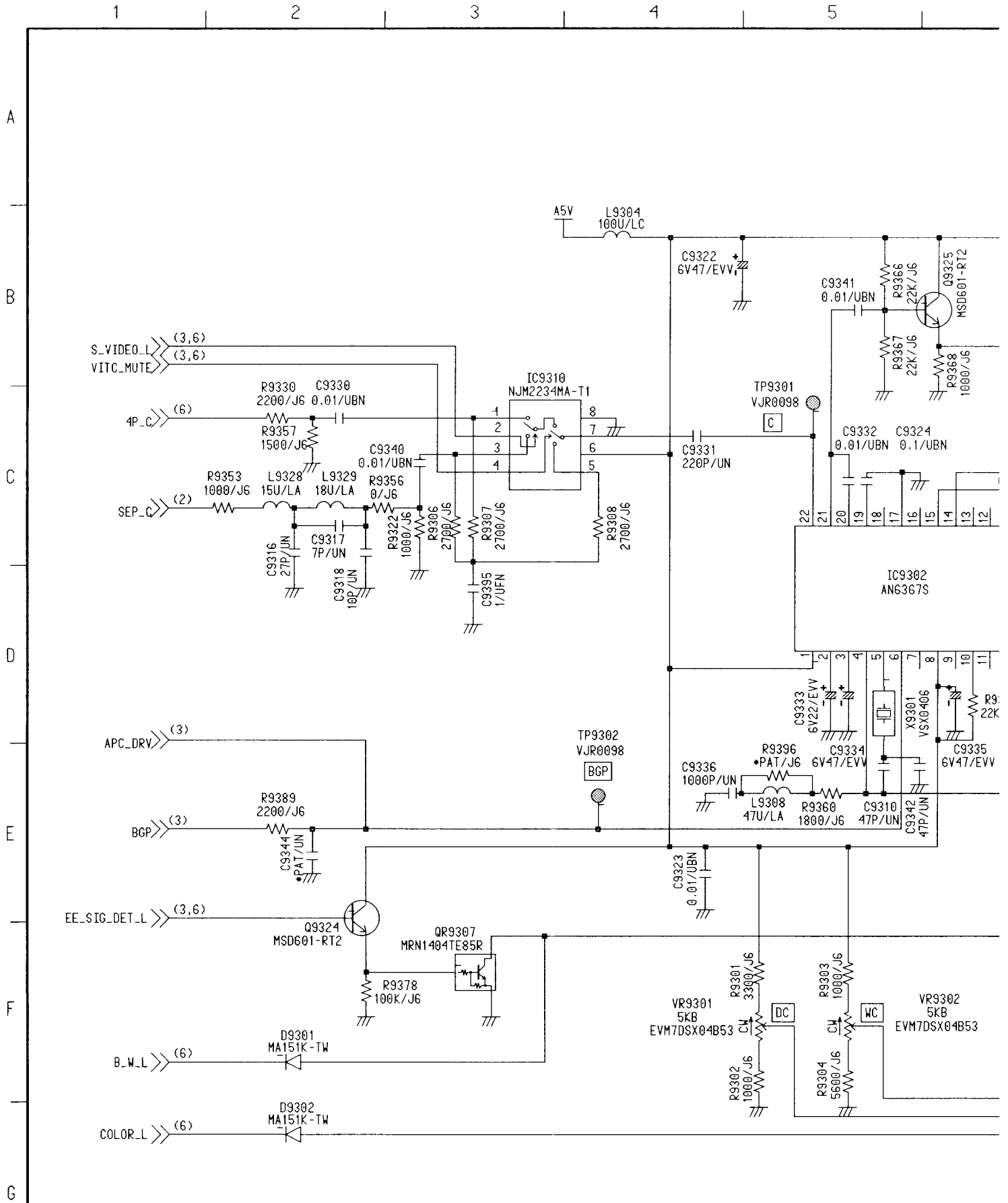
IC9115  
AN3916



IC9212,9222  
TK16031MTL

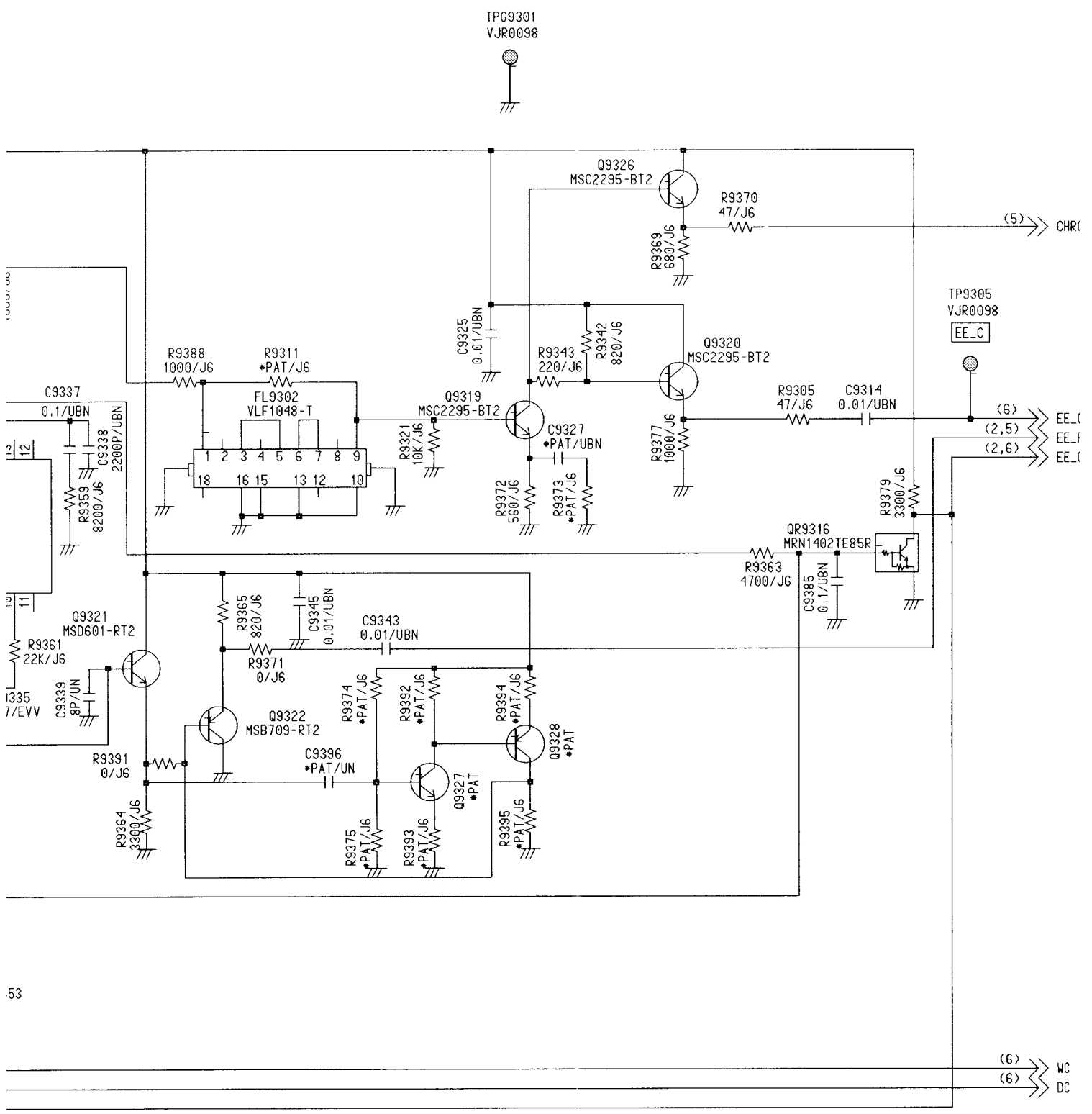


# YC REC-4 SCHEMATIC DIAGRAM 4/6 (E13: AG-8700 ONLY/Page CBA-6)



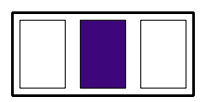
5)

6 7 8 9 10 11



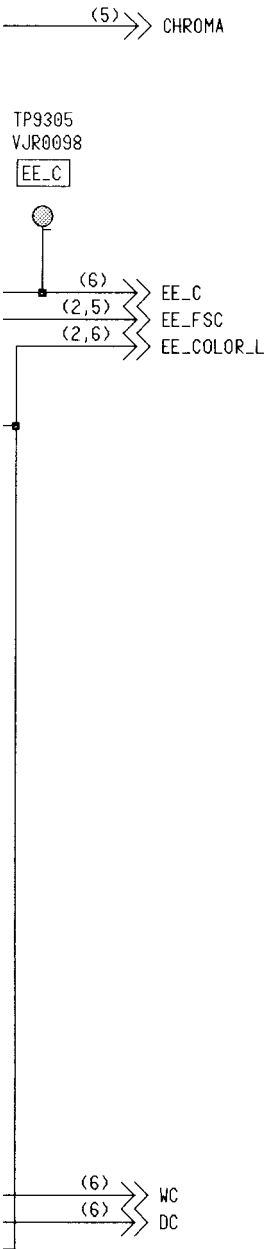
53

\*-REFER TO THE COMPARISON CHART  
Ref No.9301~9399 Series

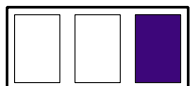


### YC REC-4 DC VOLTAGE CHART

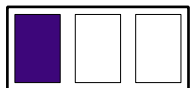
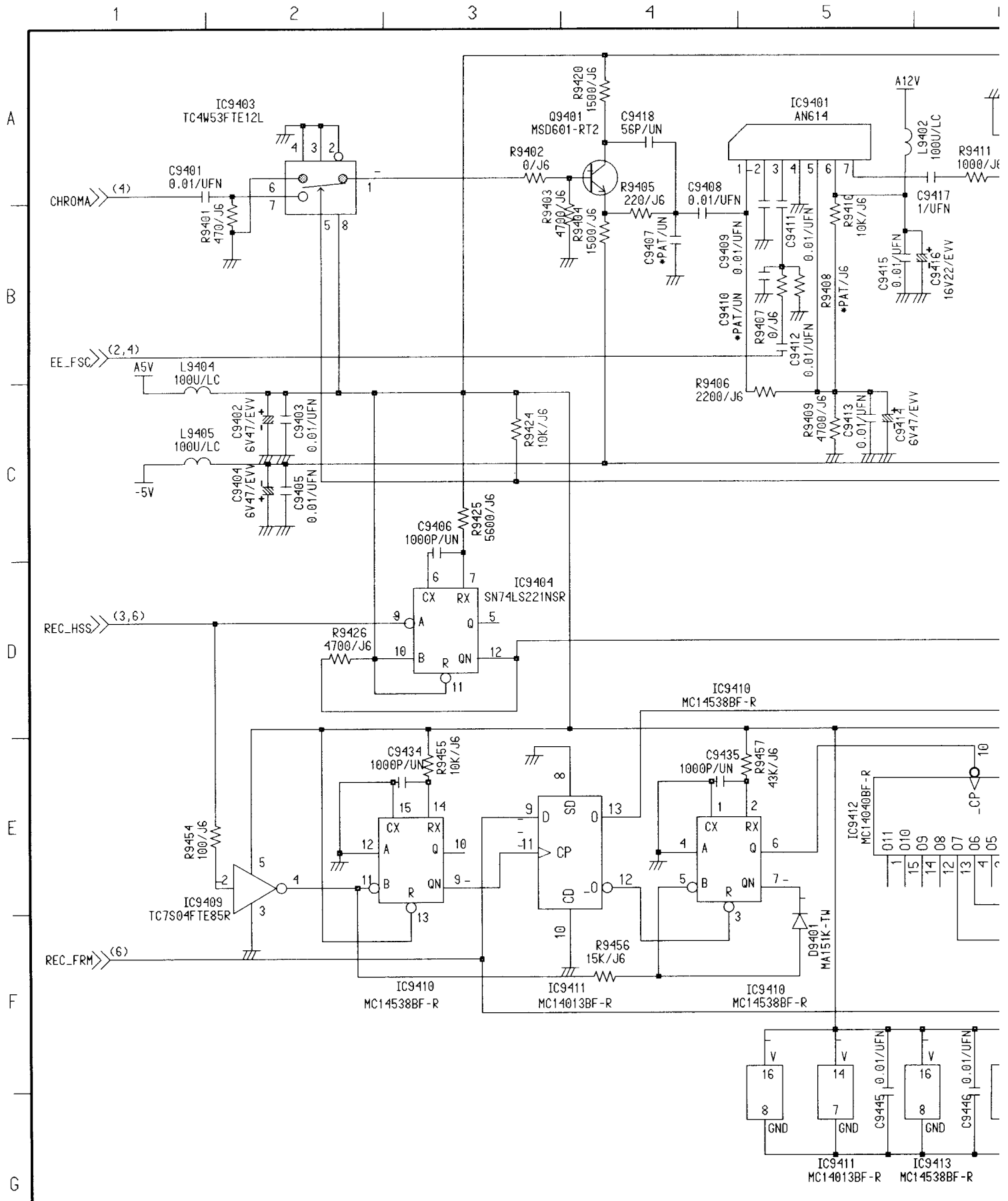
REF. NO.	IC9302										
MODE	1	2	3	4	5	6	7	8	9	10	
STOP	4.7	3.0	2.8	2.8	2.4	3.8	3.3	4.7	3.8	1.6	
REC	4.7	3.0	3.0	2.8	2.4	3.8	3.3	4.7	3.8	1.6	
REF. NO.	IC9302										
MODE	11	12	13	14	15	16	17	18	19	20	
STOP	4.0	0	1.9	2.6	2.2	4.6	0	2.8	2.4	2.9	
REC	4.0	0	2.0	2.6	2.2	4.6	0	2.8	2.4	2.9	
REF. NO.	IC9302										
MODE	21	22									
STOP	3.3	2.9									
REC	3.3	2.9									
REF. NO.	IC9310										
MODE	1	2	3	4	5	6	7	8			
STOP	2.8	3.2	2.8	0	2.8	4.7	2.1	0			
REC	2.8	3.2	2.8	0.2	2.8	4.7	2.1	0			
REF. NO.	Q9319			Q9320			Q9321				
MODE	E	C	B	E	C	B	E	C	B		
STOP	0.8	3.2	1.5	2.8	4.7	3.5	2.2	4.7	2.8		
REC	0.8	3.2	1.5	2.8	4.7	3.5	2.2	4.7	2.8		
REF. NO.	Q9322			Q9324			Q9325				
MODE	E	C	B	E	C	B	E	C	B		
STOP	2.8	0	2.2	0	4.7	0	1.7	4.7	2.3		
REC	2.8	0	2.2	0	4.7	0	1.7	4.7	2.3		
REF. NO.	Q9326										
MODE	E	C	B								
STOP	2.4	4.7	3.2								
REC	2.4	4.7	3.2								
REF. NO.	QR9307			QR9316							
MODE	E	C	B	E	C	B					
STOP	0	2.2	0	0	0.1	2.2					
REC	0	2.2	0	0	0.1	2.2					



ARISON CHART  
399 Series.

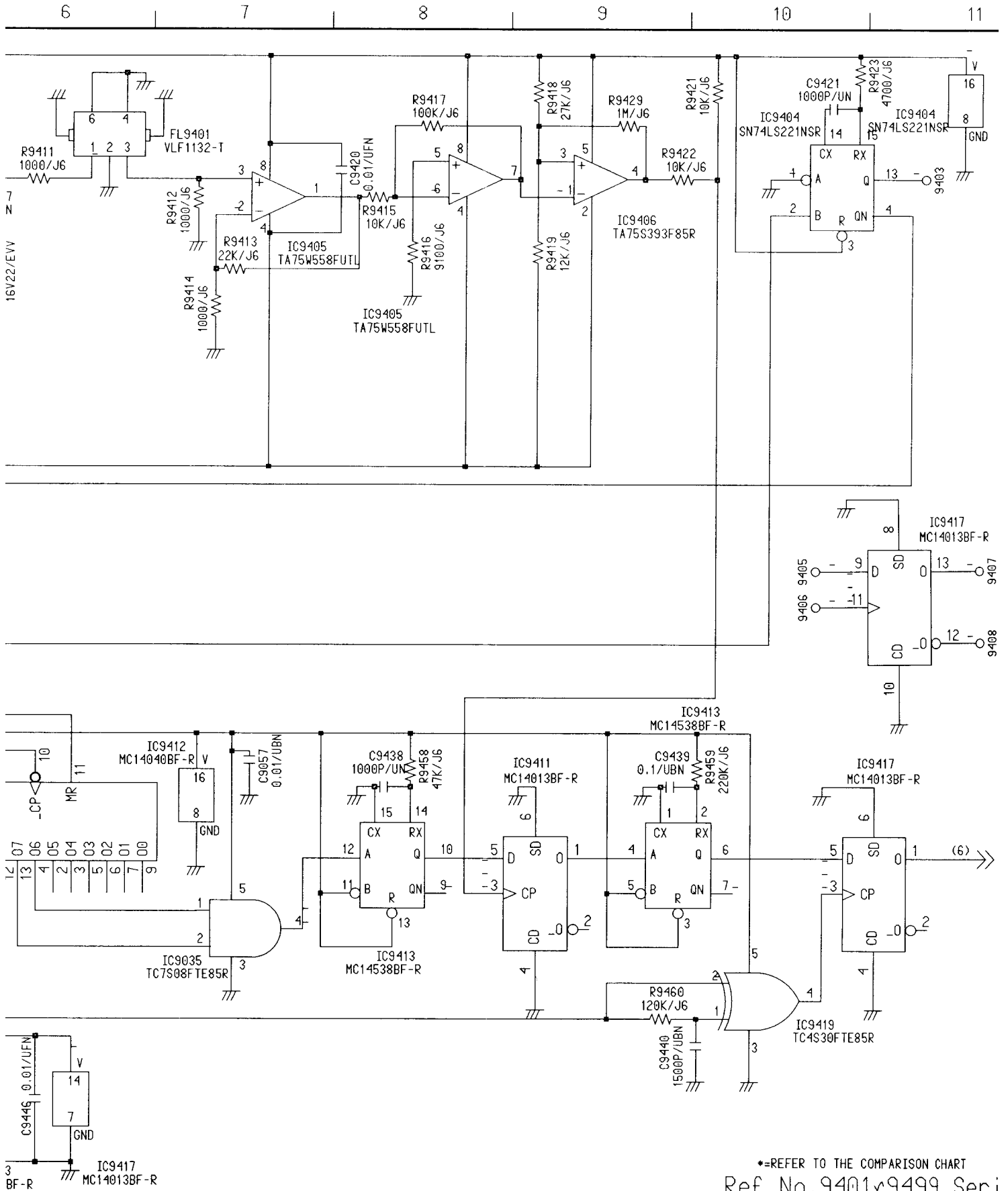


# YC REC-5 SCHEMATIC DIAGRAM 5/6 (E13: AG-8700 ONLY/Page CBA-6)

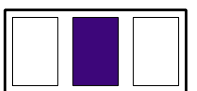




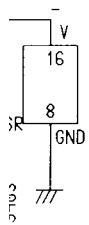
-6)



\*=REFER TO THE COMPARISON CHART  
Ref No.9401~9499 Seri



### YC REC-5 DC VOLTAGE CHART



REF. NO.	IC9401										IC9403									
MODE	1	2	3	4	5	6	7				1	2	3	4	5	6	7	8		
STOP	3.7	4.2	4.2	0	3.8	11.4	7.7				0	0	0	0	4.4	0	0	4.8		
REC	3.7	4.2	4.2	0	3.8	11.4	7.7				0	0	0	0	4.4	0	0	4.8		
REF. NO.	IC9404																			
MODE	1	2	3	4	5	6	7	8	9	10	11	12	13	14	15	16				
STOP	0	4.5	4.8	4.4	0.3	4.5	0.8	0	4.6	4.8	4.8	4.5	0.3	4.6	0.9	4.8				
REC	0	4.5	4.8	4.4	0.3	4.5	0.8	0	4.6	4.8	4.8	4.5	0.3	4.6	0.9	4.8				
REF. NO.	IC9405								IC9406											
MODE	1	2	3	4	5	6	7	8			1	2	3	4	5					
STOP	0	0	0	-4.9	0	0	0	4.8			0	-4.9	-1.8	-4.8	4.8					
REC	0	0	0	-4.9	0	0	0	4.8			0	-4.9	-1.8	-4.8	4.8					
REF. NO.	IC9409																			
MODE	1	2	3	4	5															
STOP	0	4.6	0	0.4	4.8															
REC	0	4.6	0	0.4	4.8															
REF. NO.	IC9410																			
MODE	1	2	3	4	5	6	7	8	9	10	11	12	13	14	15	16				
STOP	0	3.4	2.4	0	0.3	1.8	3.0	0	3.8	1.1	0.4	0	4.8	3.8	0	4.8				
REC	0	3.4	2.4	0	0.3	1.8	3.0	0	3.8	1.1	0.4	0	4.8	3.7	0	4.8				
REF. NO.	IC9411																			
MODE	1	2	3	4	5	6	7	8	9	10	11	12	13	14						
STOP	0	4.8	0.1	0	0	0	0	0	2.6	0	3.8	2.4	2.4	4.8						
REC	0	4.8	0.1	0	0	0	0	0	2.5	0	3.8	2.4	2.4	4.8						
REF. NO.	IC9412																			
MODE	1	2	3	4	5	6	7	8	9	10	11	12	13	14	15	16				
STOP	0	1.2	1.2	1.0	1.2	1.2	1.2	0	1.2	1.8	2.4	0.4	1.0	0	0	4.8				
REC	0	1.2	1.2	1.0	1.2	1.2	1.2	0	1.2	1.8	2.4	0.4	1.0	0	0	4.8				
REF. NO.	IC9413																			
MODE	1	2	3	4	5	6	7	8	9	10	11	12	13	14	15	16				
STOP	0	4.7	4.8	0	4.8	0	4.8	0	4.8	0	4.8	1.0	4.8	4.8	0	4.8				
REC	0	4.7	4.8	0	4.8	0	4.8	0	4.8	0	4.8	1.0	4.8	4.8	0	4.8				
REF. NO.	IC9417																			
MODE	1	2	3	4	5	6	7	8	9	10	11	12	13	14						
STOP	2.4	2.4	0	0	3.6	0	0	0	0	0	0	4.8	0	4.8						
REC	2.4	2.4	0	0	3.6	0	0	0	0	0	0	4.8	0	4.8						
REF. NO.	IC9419																			
MODE	1	2	3	4	5															
STOP	0	2.5	0	0	4.8															
REC	0	2.5	0	0	4.8															
REF. NO.	Q9401																			
MODE	E	C	B																	
STOP	-0.7	0.7	0																	
REC	-0.7	0.7	0																	

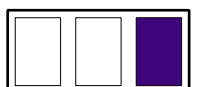
9417  
4013BF-R

13 - 9407

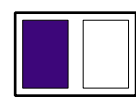
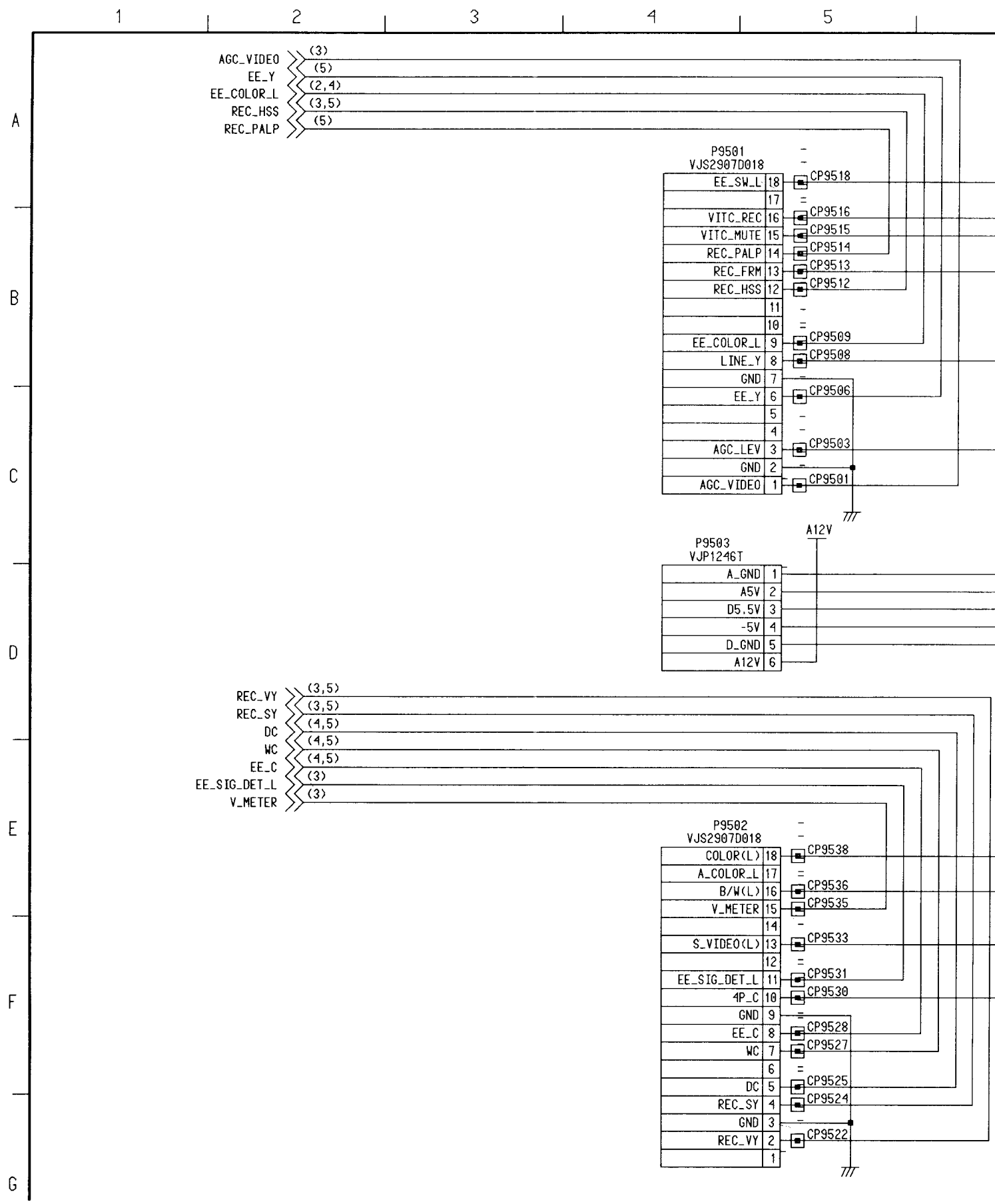
12 - 9408

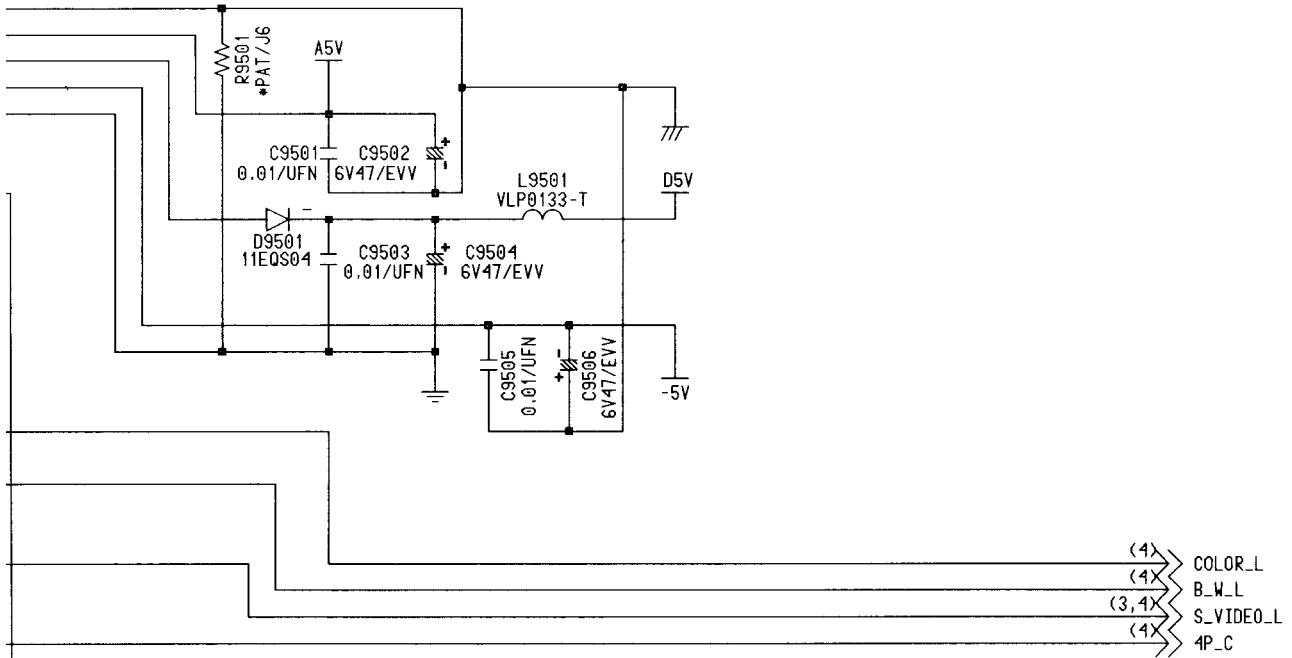
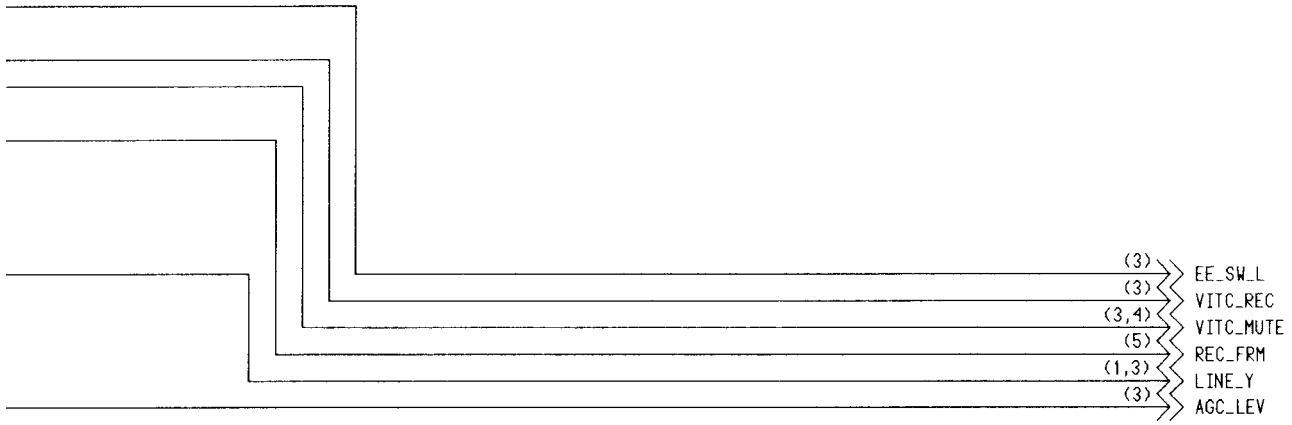
(6) >>> REC\_PALP

CHART  
} Series.

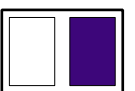


# YC REC-6 SCHEMATIC DIAGRAM 6/6 (E13: AG-8700 ONLY/Page CBA-6)

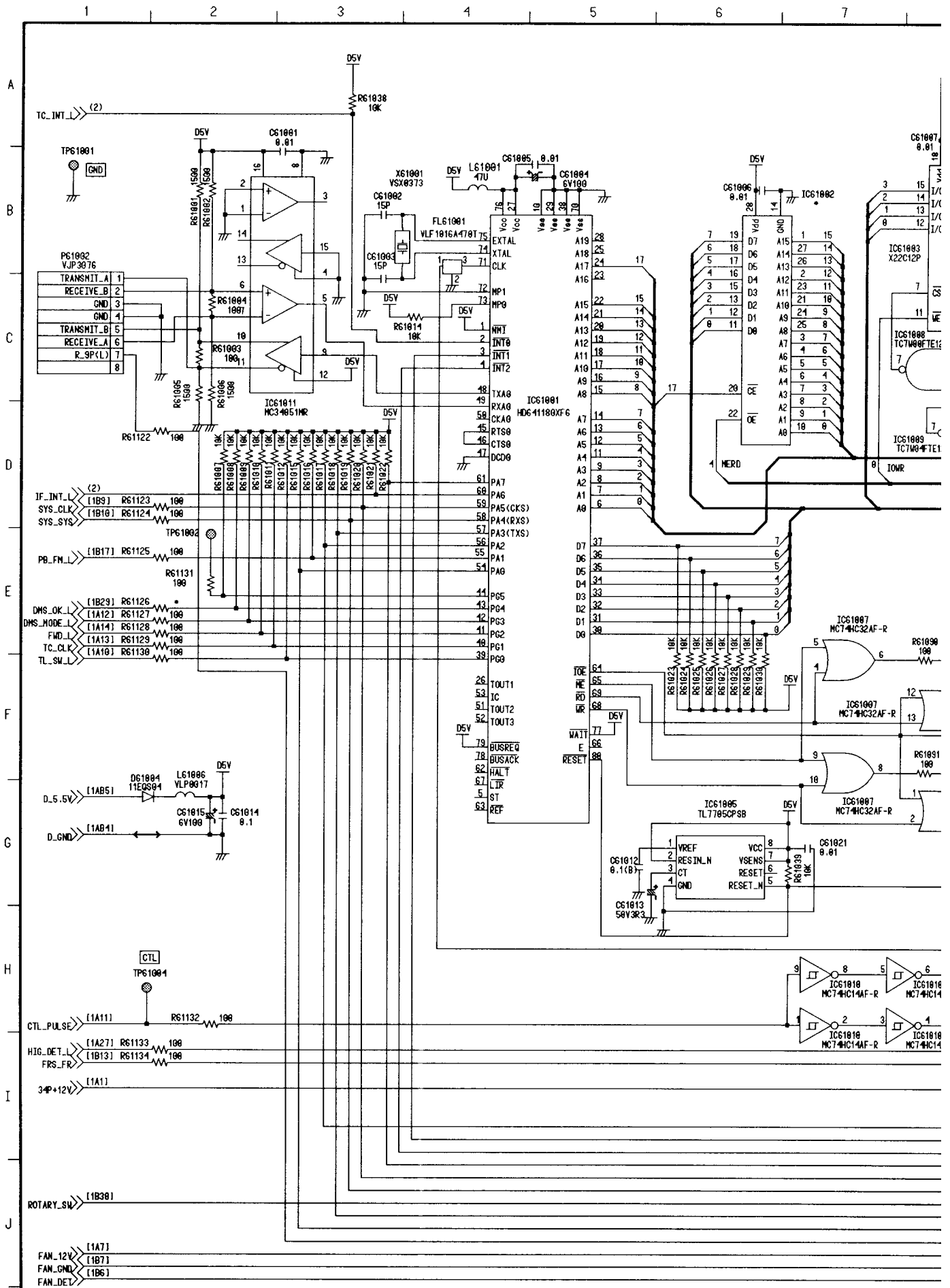




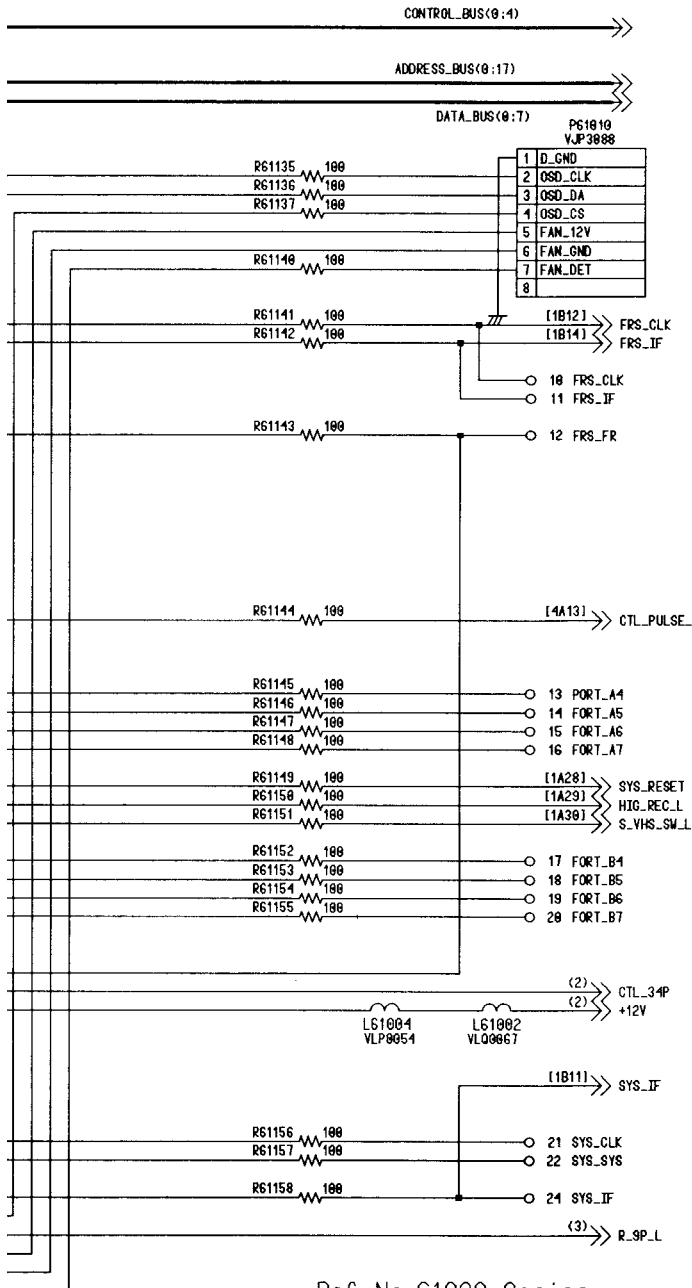
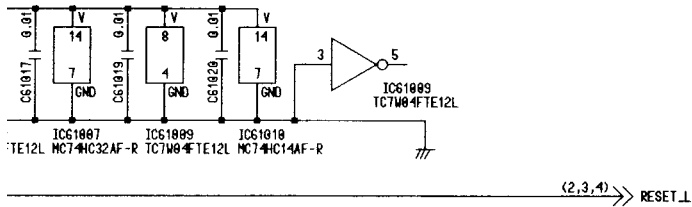
Ref No.9501~9599 Series.



# INTERFACE-1 SCHEMATIC DIAGRAM 1/6 (E9: Page CBA-11)



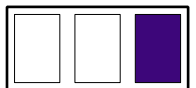




Ref No.61000 Series.

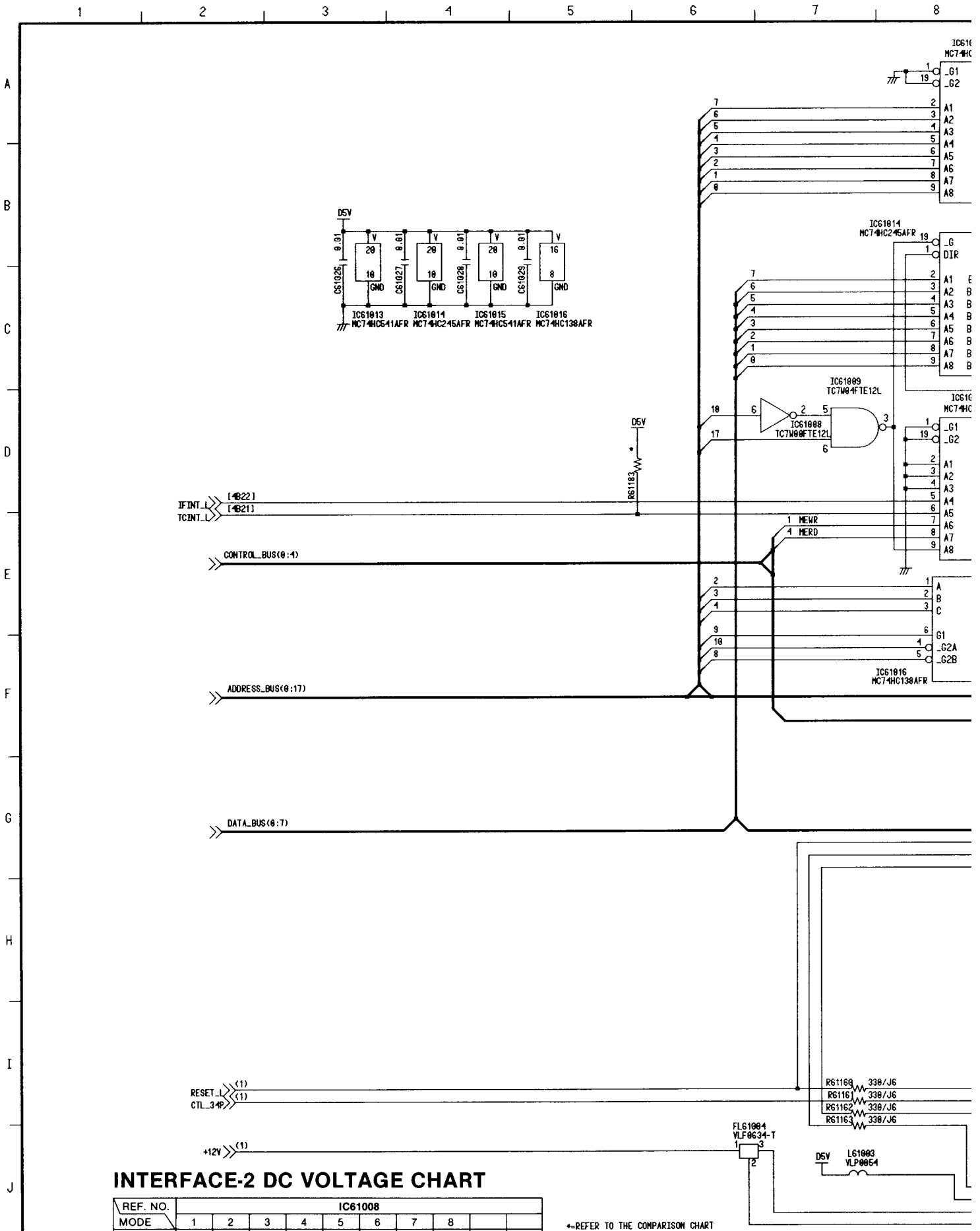
### INTERFACE-1 DC VOLTAGE CHART

REF. NO.	IC61002									
MODE	1	2	3	4	5	6	7	8	9	10
STOP	0.7	1.8	3.4	2.5	2.8	2.5	2.6	2.7	2.7	2.6
REC	0.7	1.8	3.4	2.5	2.8	2.5	2.6	2.7	2.7	2.6
REF. NO.	IC61002									
MODE	11	12	13	14	15	16	17	18	19	20
STOP	2.1	2.7	2.1	0	2.8	1.9	2.5	1.9	2.0	0.6
REC	2.1	2.7	2.1	0	2.8	1.9	2.5	1.9	2.0	0.6
REF. NO.	IC61002									
MODE	21	22	23	24	25	26	27	28		
STOP	2.1	2.1	1.0	3.6	3.3	0.7	0.8	5.1		
REC	2.1	2.1	1.0	3.6	3.3	0.7	0.8	5.1		
REF. NO.	IC61003									
MODE	1	2	3	4	5	6	7	8	9	10
STOP	3.4	2.5	2.6	2.6	2.7	2.6	5.1	0	5.1	5.1
REC	3.4	2.5	2.6	2.6	2.7	2.6	5.1	0	5.1	5.1
REF. NO.	IC61003									
MODE	11	12	13	14	15	16	17	18		
STOP	5.1	2.1	2.8	2.0	2.8	2.8	2.5	5.1		
REC	5.1	2.1	2.8	2.0	2.8	2.8	2.5	5.1		
REF. NO.	IC61005									
MODE	1	2	3	4	5	6	7	8		
STOP	2.5	5.1	3.1	0	5.1	0	5.1	5.1		
REC	2.5	5.1	3.1	0	5.1	0	5.1	5.1		
REF. NO.	IC61008									
MODE	1	2	3	4	5	6	7	8		
STOP	3.3	0.1	5.1	0	2.9	0.6	5.1	5.1		
REC	3.3	0.1	5.1	0	2.9	0.6	5.1	5.1		
REF. NO.	IC61011									
MODE	1	2	3	4	5	6	7	8	9	10
STOP	0	0	0.1	0	4.5	2.6	2.4	0	5.0	3.3
REC	0	0	0.1	0	4.5	2.6	2.4	0	5.0	3.3
REF. NO.	IC61011									
MODE	11	12	13	14	15	16				
STOP	0.3	5.1	0.2	0.2	0	5.1				
REC	0.3	5.1	0.2	0.2	0	5.1				
REF. NO.	Q61001									
MODE	E	C	B							
STOP	5.1	5.1	4.3							
REC	5.1	5.1	4.3							





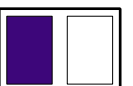
# INTERFACE-2 SCHEMATIC DIAGRAM 2/6 (E9: Page CBA-11)

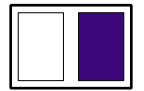
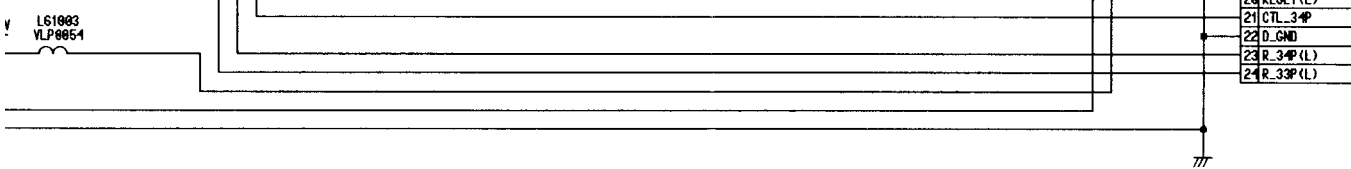
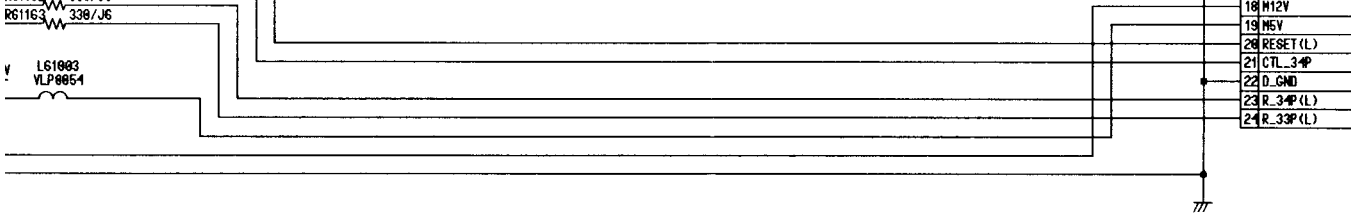
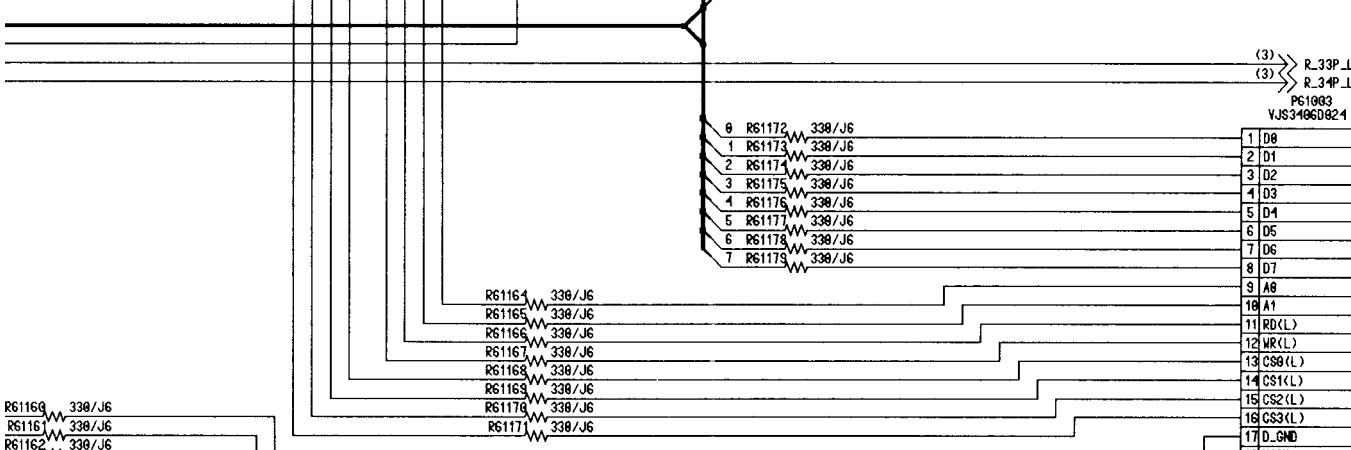
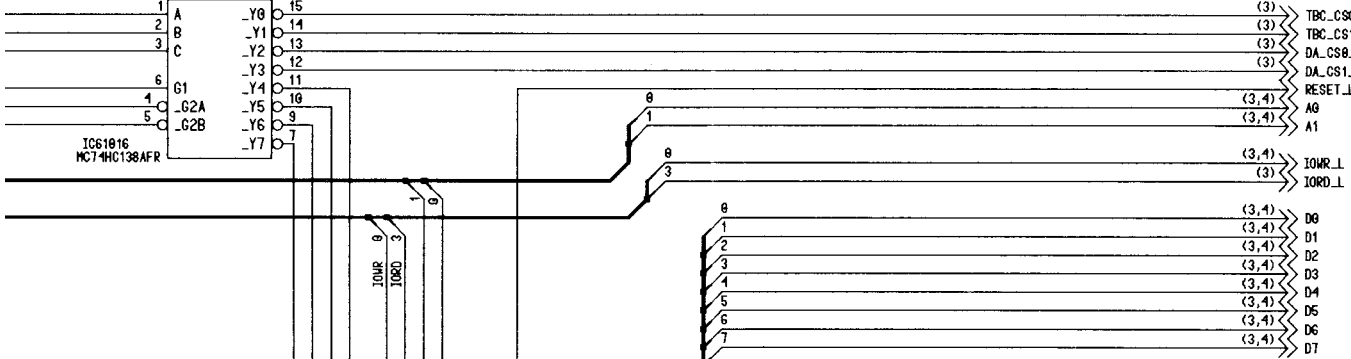
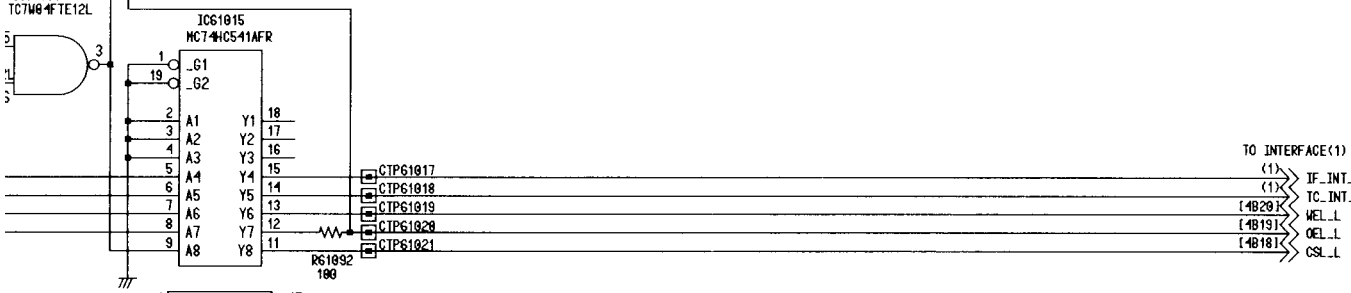
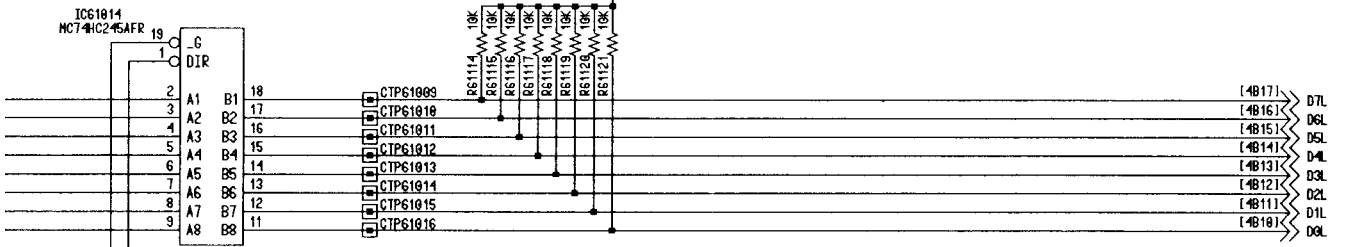
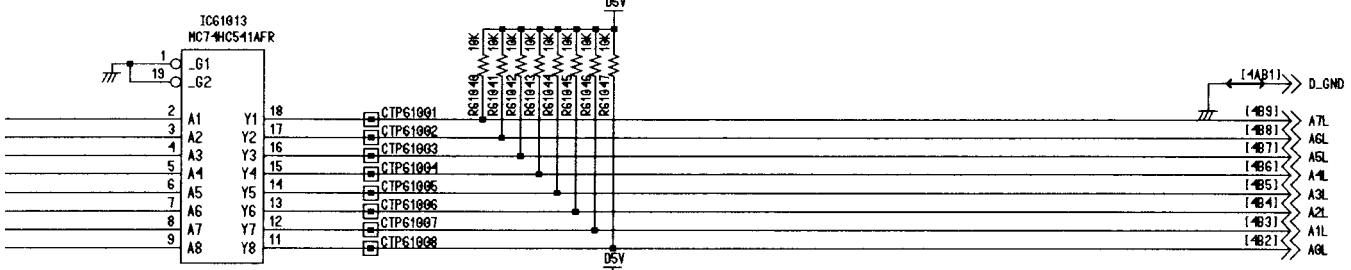


## INTERFACE-2 DC VOLTAGE CHART

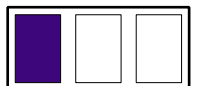
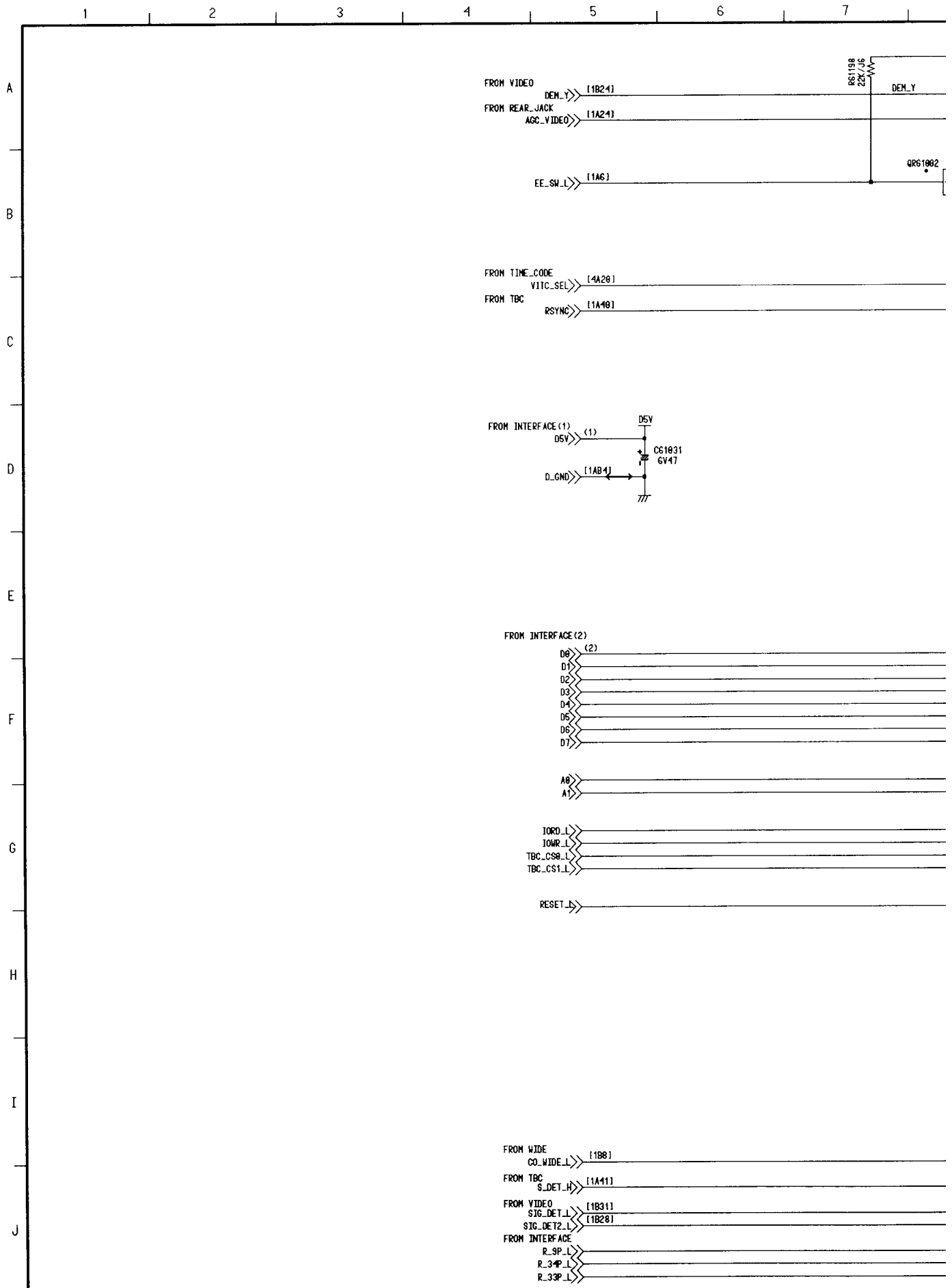
REF. NO.	IC61008							
MODE	1	2	3	4	5	6	7	8
STOP	3.3	0.1	5.1	0	2.9	0.6	5.1	5.1
REC	3.3	0.1	5.1	0	2.9	0.6	5.1	5.1

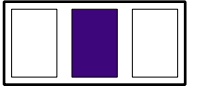
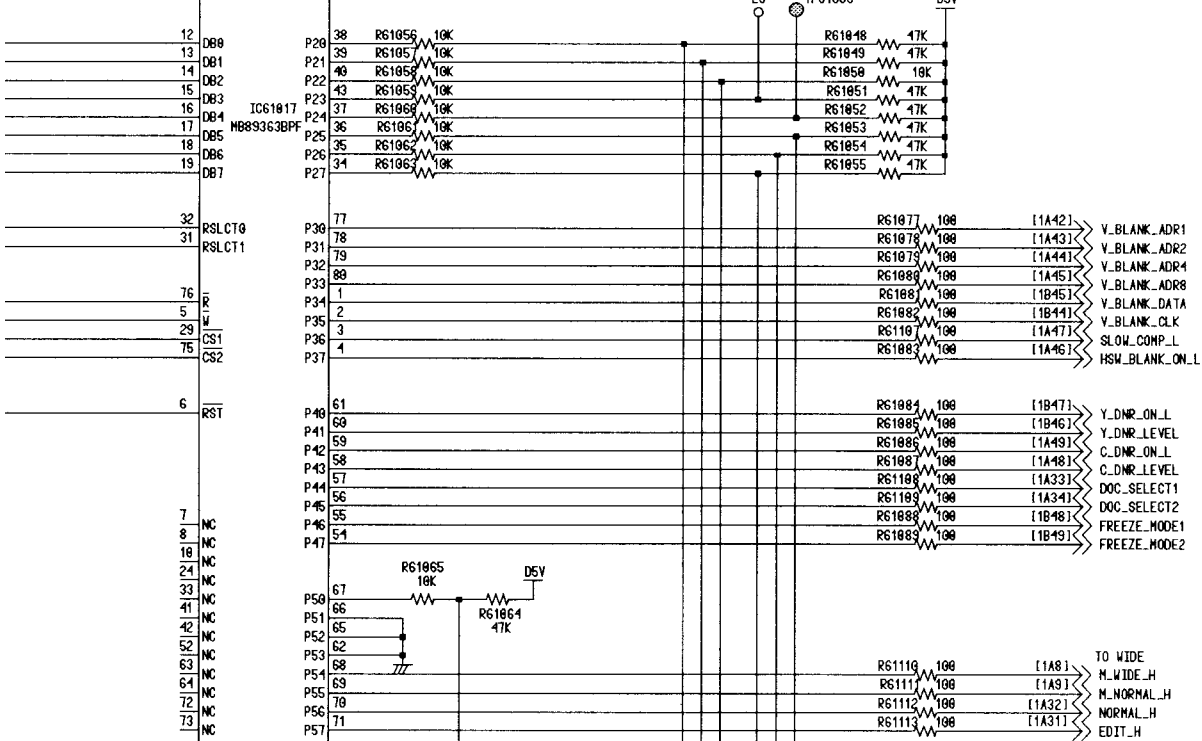
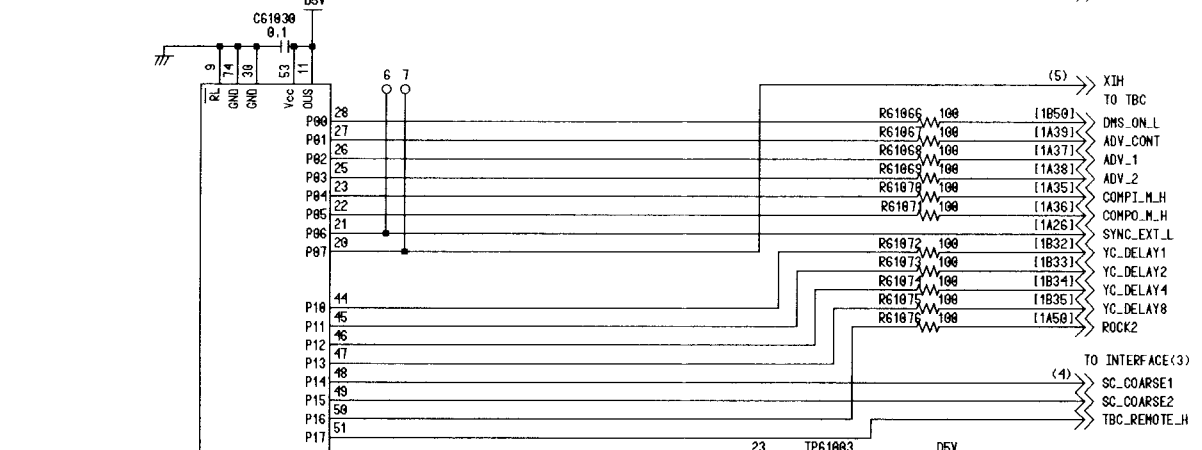
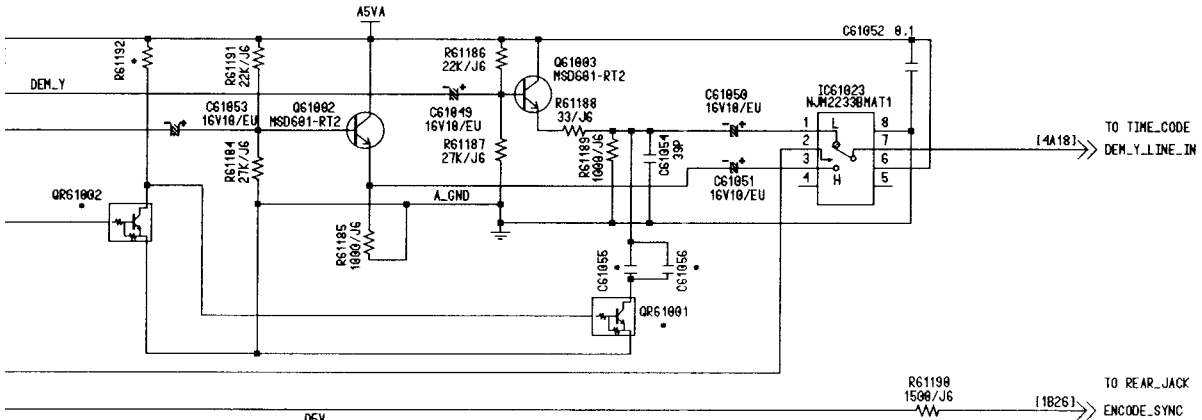
←REFER TO THE COMPARISON CHART





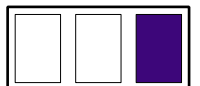
# INTERFACE-3 SCHEMATIC DIAGRAM 3/6 (E9: Page CBA-11)



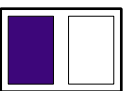
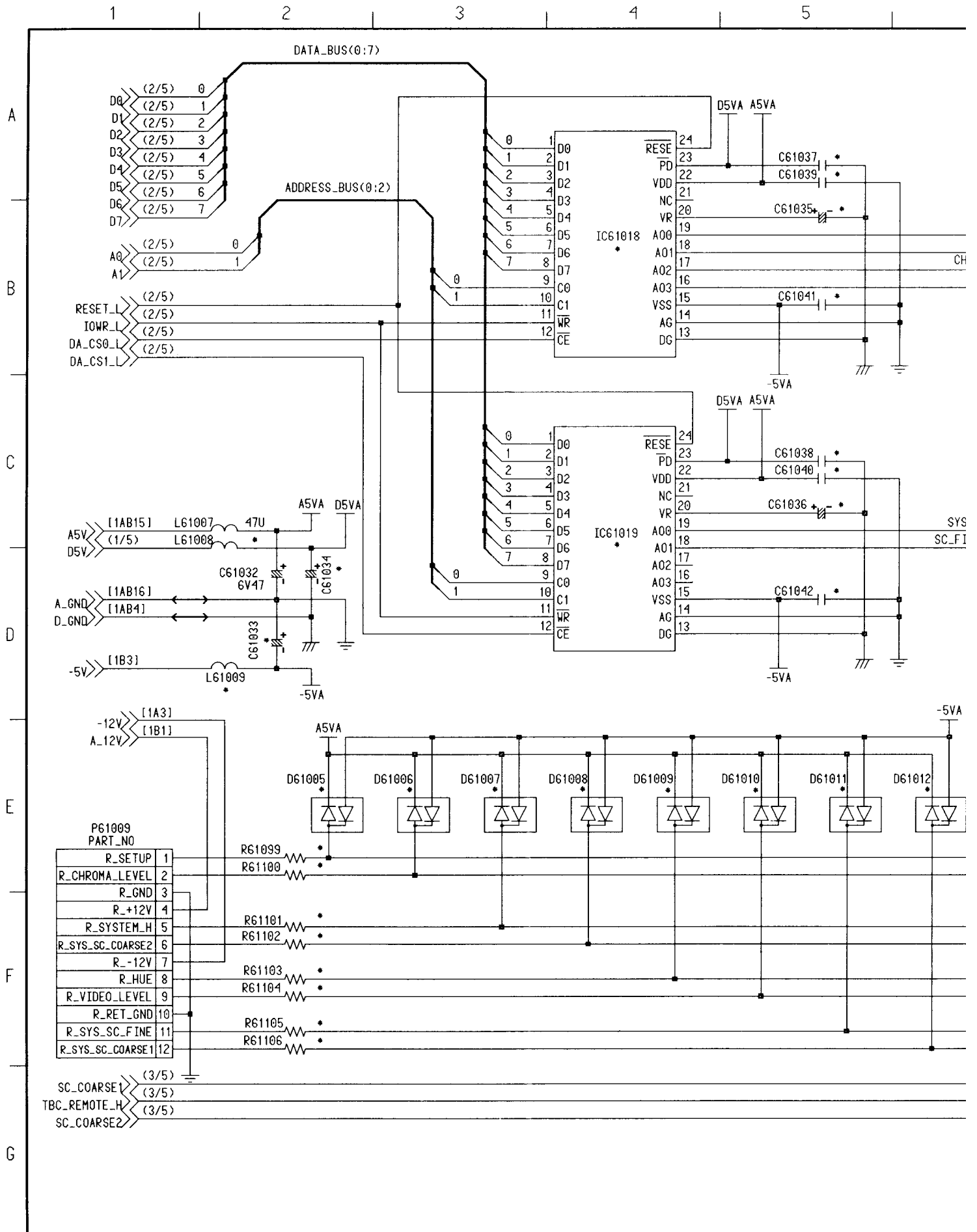


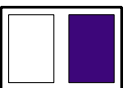
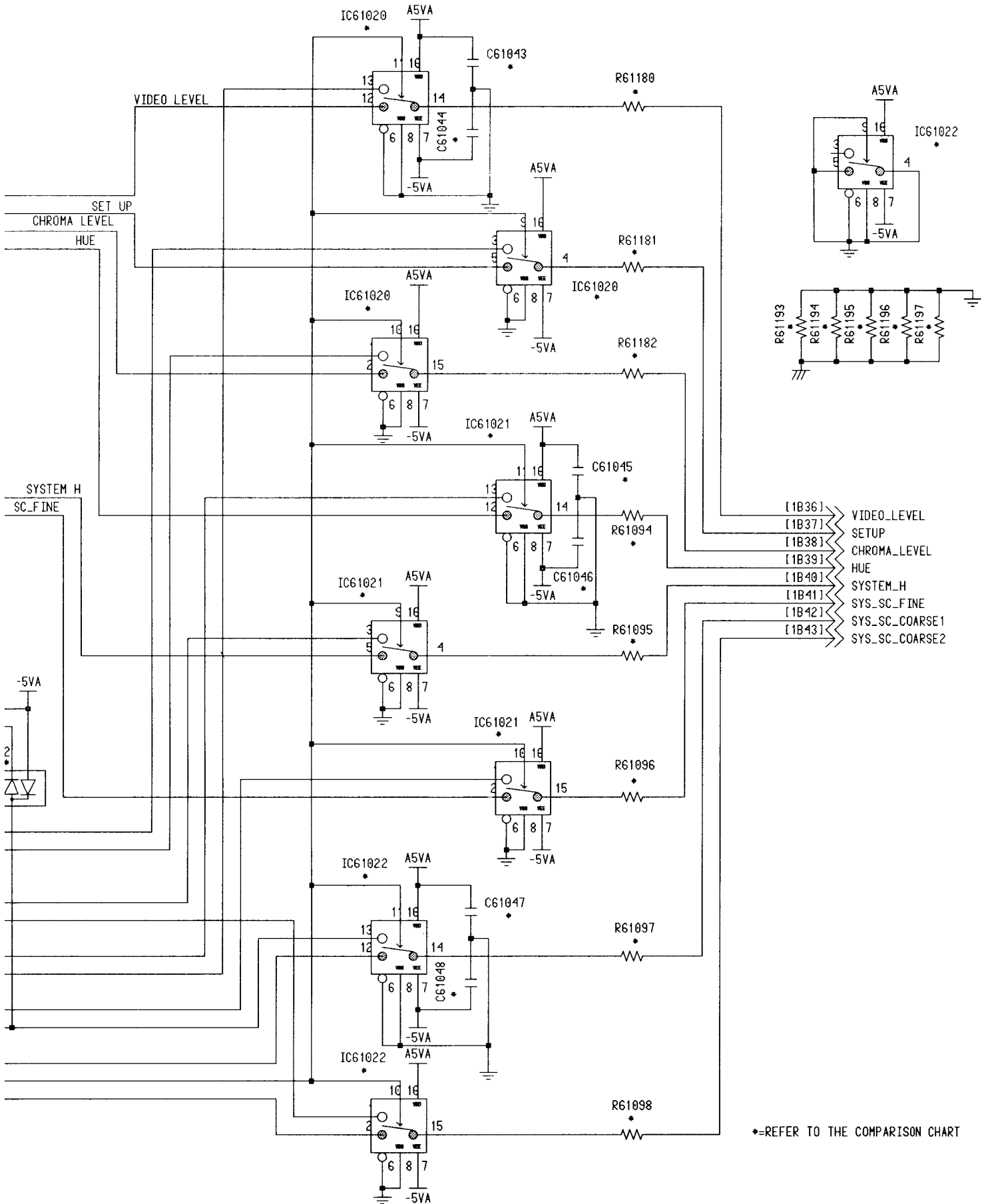
## INTERFACE-3 DC VOLTAGE CHART

REF. NO.	IC61017									
MODE	1	2	3	4	5	6	7	8	9	10
STOP	5.1	5.1	0	5.1	5.1	5.1	0	0	0	0
REC	5.1	5.1	0	5.1	5.1	5.1	0	0	0	0
REF. NO.	IC61017									
MODE	11	12	13	14	15	16	17	18	19	20
STOP	5.1	2.1	2.8	2.1	2.8	1.9	2.5	1.9	2.0	0
REC	5.1	2.1	2.8	2.1	2.8	1.9	2.5	1.9	2.0	0
REF. NO.	IC61017									
MODE	21	22	23	24	25	26	27	28	29	30
STOP	5.1	5.1	5.1	0	5.1	5.1	5.1	0	5.1	0
REC	5.1	5.1	5.1	0	5.1	5.1	5.1	0	5.1	0
REF. NO.	IC61017									
MODE	31	32	33	34	35	36	37	38	39	40
STOP	2.7	2.6	0	0	5.0	5.0	5.0	5.0	0	0.2
REC	2.7	2.6	0	0	5.1	5.1	5.1	5.0	0	0.2
REF. NO.	IC61017									
MODE	41	42	43	44	45	46	47	48	49	50
STOP	0	0	5.0	5.1	5.1	5.1	5.1	5.1	5.1	0
REC	0	0	5.0	5.1	5.1	5.1	5.1	5.1	5.1	0
REF. NO.	IC61017									
MODE	51	52	53	54	55	56	57	58	59	60
STOP	5.1	0	5.1	5.1	5.1	5.1	5.1	5.1	5.1	5.1
REC	5.1	0	5.1	5.1	5.1	5.1	5.1	5.1	5.1	5.1
REF. NO.	IC61017									
MODE	61	62	63	64	65	66	67	68	69	70
STOP	5.1	0	0	0	0	0	4.9	0	0	0
REC	5.1	0	0	0	0	0	4.9	0	0	0
REF. NO.	IC61017									
MODE	71	72	73	74	75	76	77	78	79	80
STOP	5.0	0	0	0	5.1	5.1	5.1	5.1	5.1	5.1
REC	5.0	0	0	0	5.1	5.1	5.1	5.1	5.1	5.1
REF. NO.	IC61023									
MODE	1	2	3	4	5	6	7	8		
STOP	2.9	0	3.0	0	0	5.0	2.2	0		
REC	2.9	0	3.0	0	0	5.0	2.2	0		
REF. NO.	Q61002			Q61003						
MODE	E	C	B	E	C	B				
STOP	2.0	5.0	2.7	2.0	5.0	2.6				
REC	2.0	5.0	2.7	2.0	5.0	2.6				

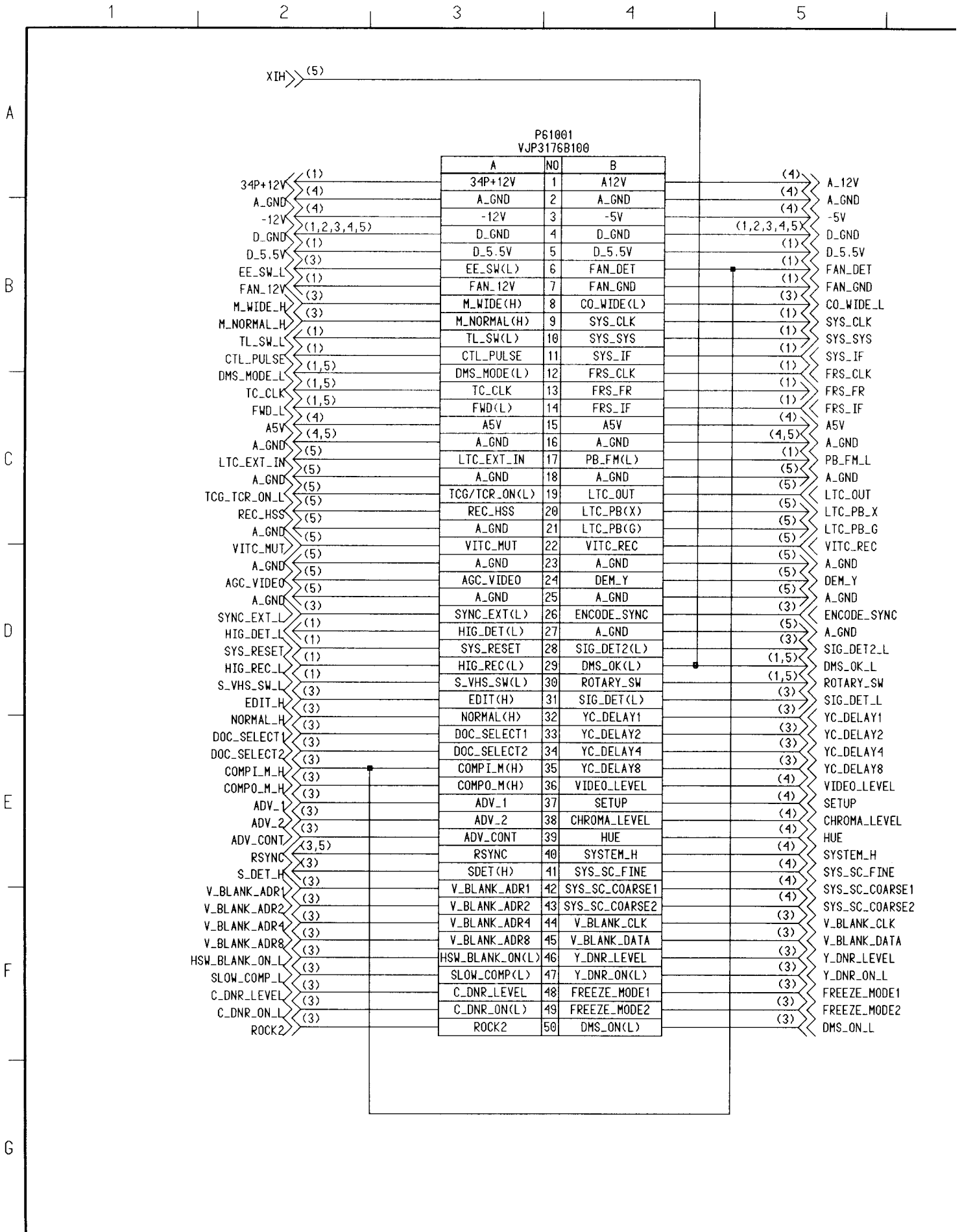


# INTERFACE-4 SCHEMATIC DIAGRAM 4/6 (E9: Page CBA-11)





# INTERFACE-5 SCHEMATIC DIAGRAM 5/6 (E9: Page CBA-11)





PG1004  
VJS3505C060

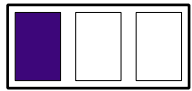
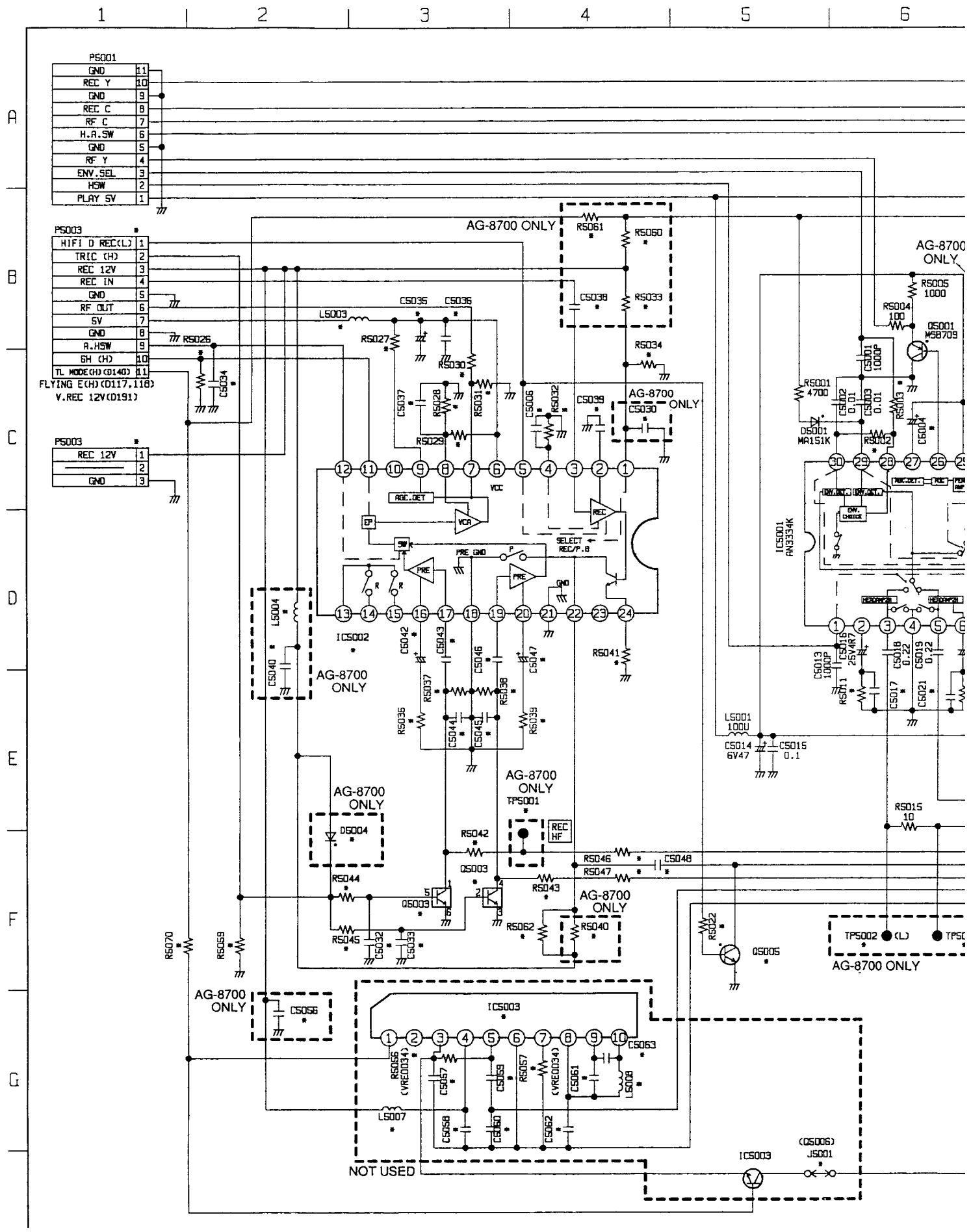
	A	NO	B	
D_GND (2)	D_GND	1	D_GND	(2) D_GND
FWD_L (5)	FWD(L)	2	A0L	(2) A0L
TC_CLK (5)	TC_CLK	3	A1L	(2) A1L
DMS_MODE_L (5)	DMS_MODE(L)	4	A2L	(2) A2L
A_GND (5)	A_GND	5	A3L	(2) A3L
LTC_EXT_IN (5)	LTC_EXT_IN	6	A4L	(2) A4L
A_GND (5)	A_GND	7	A5L	(2) A5L
TCG_TCR_ON_L (5)	TCG/TCR_ON(L)	8	A6L	(2) A6L
LTC_OUT (5)	LTC_OUT	9	A7L	(2) A7L
LTC_PB_X (5)	LTC_PB(X)	10	D0L	(2) D0L
LTC_PB_G (5)	LTC_PB(G)	11	D1L	(2) D1L
REC_HSS (5)	REC_HSS	12	D2L	(2) D2L
A_GND (5)	A_GND	13	D3L	(2) D3L
VITC_REC (5)	VITC_REC	14	D4L	(2) D4L
A_GND (5)	A_GND	15	D5L	(2) D5L
VITC_MUT (5)	VITC_MUT	16	D6L	(2) D6L
A_GND (5)	A_GND	17	D7L	(2) D7L
DEM_Y_LINE_IN (5)	DEM_Y/LINE_IN	18	CSL(L)	(2) CSL_L
A_GND (5)	A_GND	19	OEL(L)	(2) OEL_L
VITC_SEL (5)	VITC_SEL	20	WEL(L)	(2) WEL_L
A_GND (5)	A_GND	21	TCINT(L)	(2) TCINT_L
RSYNC (5)	RSYNC	22	IFINT(L)	(2) IFINT_L
A_GND (5)	A_GND	23	CTL_PULSE	(1) CTL_PULSE_H
DMS_OK_L (5)	DMS_OK(L)	24		
ROTARY_SW (5)	ROTARY_SW	25		
A_GND (5)	A_GND	26	A_GND	(5) A_GND
A_GND (5)	A_GND	27	A_GND	(5) A_GND
A5V (1)	A5V	28	A5V	(1) A5V
D5V (1)	D5V	29	D5V	(1) D5V
D5V (1)	D5V	30	D5V	(1) D5V

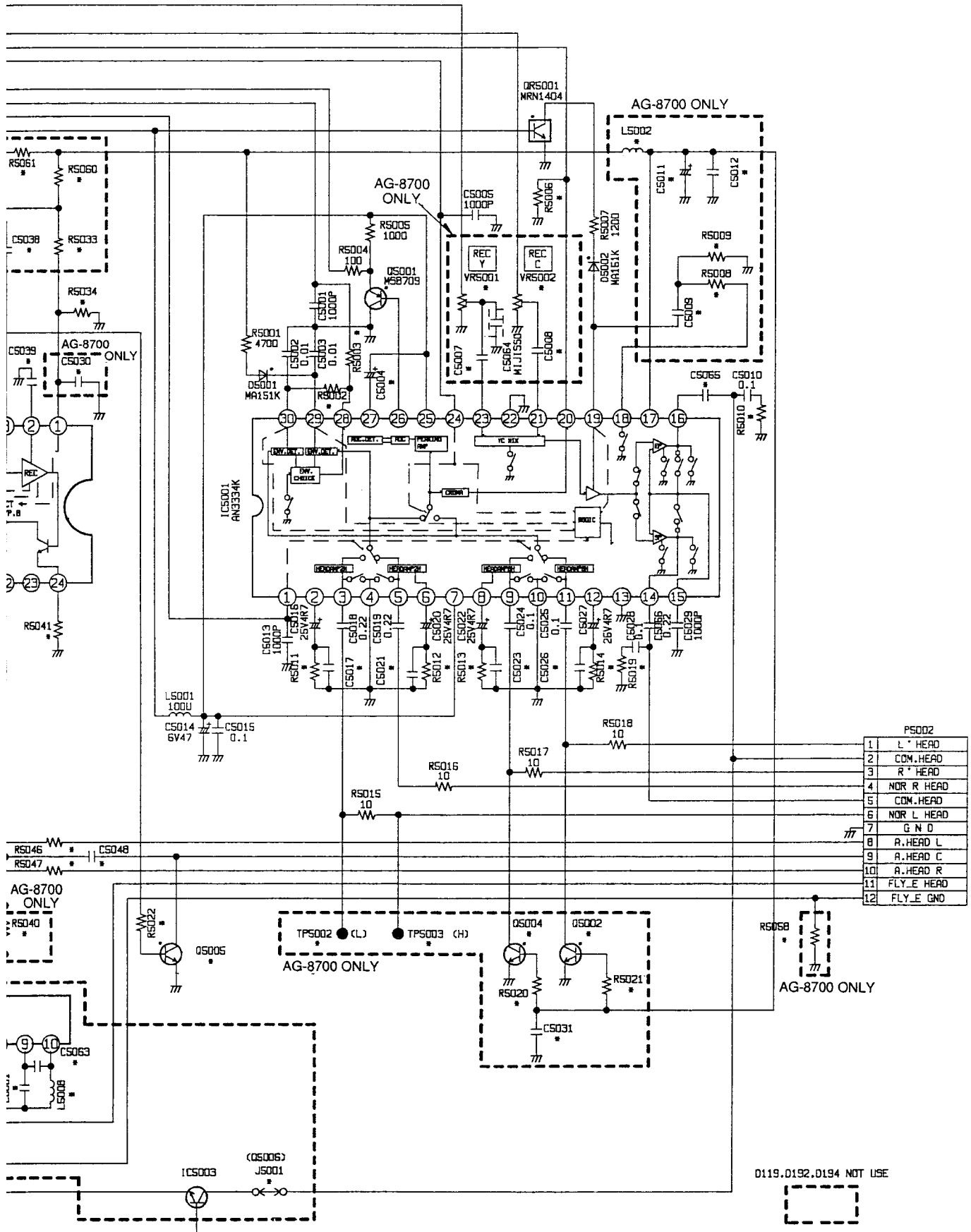
# INTERFACE COMPARISON CHART 6/6 (E9: Page CBA-11)

\$REF\$	AG-8700 AG-8600
C61033	6V47
C61034	6V47
C61035	50V1
C61036	50V1
C61037	0.01/UFN
C61038	0.01/UFN
C61039	0.01/UFN
C61040	0.01/UFN
C61041	0.01/UFN
C61042	0.01/UFN
C61043	0.01/UFN
C61044	0.01/UFN
C61045	0.01/UFN
C61046	0.01/UFN
C61047	0.01/UFN
C61048	0.01/UFN
C61055	*PAT
C61056	*PAT
D61005	MA153-TX
D61006	MA153-TX
D61007	MA153-TX
D61008	MA153-TX
D61009	MA153-TX
D61010	MA153-TX
D61011	MA153-TX
D61012	MA153-TX
IC61002	VS11403J
IC61018	MB86023PF
IC61019	MB86023PF
IC61020	MC74HC4053FR
IC61021	MC74HC4053FR
IC61022	MC74HC4053FR
L61008	47U
L61009	47U
P61009	VJP3092
QR61001	*PAT
QR61002	*PAT
R61094	100/J6
R61095	100/J6
R61096	100/J6
R61097	100/J6
R61098	100/J6
R61099	100/J6
R61100	100/J6
R61101	100/J6
R61102	100/J6

\$REF\$	AG-8700 AG-8600
R61103	100/J6
R61104	100/J6
R61105	100/J6
R61106	100/J6
R61126	*PAT/J6
R61180	100/J6
R61181	100/J6
R61182	100/J6
R61183	*PAT/J6
R61192	*PAT/J6
R61193	0/J6
R61194	0/J6
R61195	0/J6
R61196	0/J6
R61197	0/J6

# HEAD AMP SCHEMATIC DIAGRAM (E15: Page CBA-14)

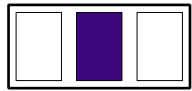




PS002	
1	L * HEAD
2	COM. HEAD
3	R * HEAD
4	NOR R HEAD
5	COM. HEAD
6	NOR L HEAD
7	G N D
8	A. HEAD L
9	A. HEAD C
10	A. HEAD R
11	FLY_E HEAD
12	FLY_E GND

0119, 0192, 0194 NOT USE

REFER TO THE COMPARISON CHART  
Ref No. 5000 Series.



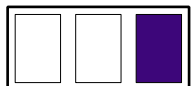
	AG-8700	AG-8600
CS004	50V.1	50V1
CS006	0.01	0.01
CS007	0.01	-----
CS008	0.01	-----
CS009	1800P(J)(NPD)	-----
CS011	16V22	-----
CS012	0.047	-----
CS017	12P	12P
CS021	12P	12P
CS023	3P	3P
CS026	3P	3P
CS030	0.01	-----
CS031	0.1	-----
CS032	0.1	0.1
CS033	0.1	0.1
CS034	1000P(K)	1000P(K)
CS035	6V47	6V47
CS036	0.01	0.01
CS037	0.01(K)	0.01(K)
CS038	0.01(K)	-----
CS039	0.01	0.01
CS040	0.01	-----
CS042	50V1	50V1
CS043	470P	470P
CS044	100P	100P
CS045	100P	100P
CS046	470P	470P
CS047	50V1	50V1
CS048	0.0047	0.0047
CS056	0.01	-----
CS057	-----	-----
CS058	-----	-----
CS059	-----	-----
CS060	-----	-----
CS061	-----	-----
CS062	-----	-----
CS063	-----	-----
CS065	-----	-----
OS004	MA151K-TW	-----
ICS002	BA7740F5	BA7740F5
ICS003	-----	-----
J5001	-----	-----
LS002	100U	-----
LS003	100U	100U
LS004	100U	-----
LS007	-----	-----
LS008	-----	-----
PS003	VJP3091	VJP3091
OS002	25C2295	-----
OS003	XN4504-TW	XN4504-TW
OS004	25C2295	-----
OS005	25C2295	25C2295
RS002	680K	680K
RS003	22K	22K
RS006	1500	1500
RS008	-----	-----
RS009	470	-----
RS010	1	1
RS011	1200	1200
RS012	1200	1200
RS013	1200	1200
RS014	1200	1200
RS019	330	390
RS020	3300	-----
RS021	3300	-----
RS022	1500	1500
RS026	0	0
RS027	33K	33K
RS028	24K(G)	24K(G)
RS029	27K(G)	27K(G)
RS030	390	390
RS031	10K	10K
RS032	47K	47K
RS033	27K	-----
RS034	15K	15K
RS036	3300	3300
RS037	1500	1500
RS038	1500	1500
RS035	3300	3300
RS040	220(1/4W)	-----
RS041	10	10
RS042	10	10
RS043	10	10
RS044	10K	10K
RS045	10K	10K
RS046	470	470
RS047	470	470
RS056	-----	-----
RS057	-----	-----
RS058	0	-----
RS059	47K	47K
RS060	-----	-----
RS061	0	-----
RS062	220(1/4W)	-----
RS070	0	-----
TP5001	VJR009B	-----
TP5002	VJR009B	-----
TP5003	VJR009B	-----
VR5001	2KB(CA)	-----
VR5002	2KB(CA)	-----

## HEAD AMP DC VOLTAGE CHART

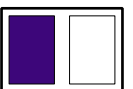
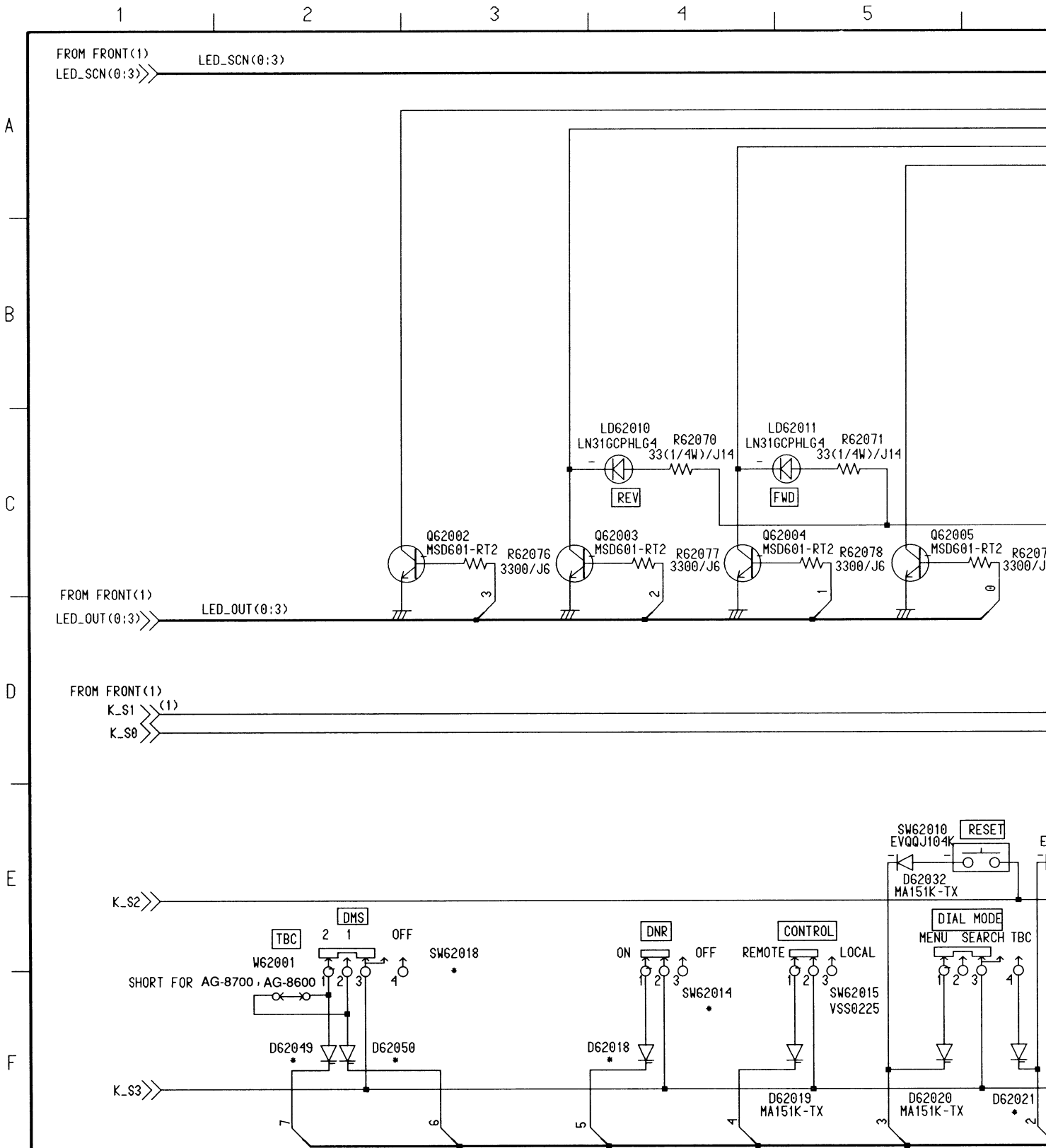
REF. NO.	IC5001									
MODE	1	2	3	4	5	6	7	8	9	10
EJECT	5.0	0.8	0.6	0	0.6	0.8	5.0	0.8	0.6	0
REC	5.0	0	0	0	0	0	0.3	0	0	0
REF. NO.	IC5001									
MODE	11	12	13	14	15	16	17	18	19	20
EJECT	0.6	0.8	0	0	0	0	0	0	0.6	2.3
REC	0	0	0	5.9	5.8	5.9	11.2	0	2.7	0
REF. NO.	IC5001									
MODE	21	22	23	24	25	26	27	28	29	30
EJECT	0	0	0	5.0	5.0	1.8	3.2	0.1	2.2	2.2
REC	4.6	0	4.6	0	6.3	0	0	0.2	11.1	3.6
REF. NO.	IC5002									
MODE	1	2	3	4	5	6	7	8	9	10
EJECT	0.3	0.5	2.8	1.2	3.7	5.0	2.4	2.3	4.9	0
REC	4.0	1.3	2.7	1.3	0.1	5.0	3.7	2.3	4.9	0
REF. NO.	IC5002									
MODE	11	12	13	14	15	16	17	18	19	20
EJECT	0	5.0	0	0	0	0.8	0.7	0	0.7	0.8
REC	0	5.0	0	0	0	0	0	0	0	0
REF. NO.	IC5002									
MODE	21	22	23	24						
EJECT	0	0	0	0						
REC	0	4.4	0	0.6						
REF. NO.	Q5001			Q5002						
MODE	E	C	B	E	C	B				
EJECT	2.4	0	1.8	0	0	0				
REC	0.3	0	0	0	0	0.8				
REF. NO.	Q5003			Q5004						
MODE	1	2	3	4	5	6	E	C	B	
EJECT	0	0.6	0	0	0.6	0	0	0	0	
REC	0	0.7	0	0	0.7	0	0	0	0.8	
REF. NO.	Q5005			QR5001						
MODE	E	C	B	E	C	B				
EJECT	0	0	0.8	0	0	5.0				
REC	0	0	0	0	2.5	0.3				

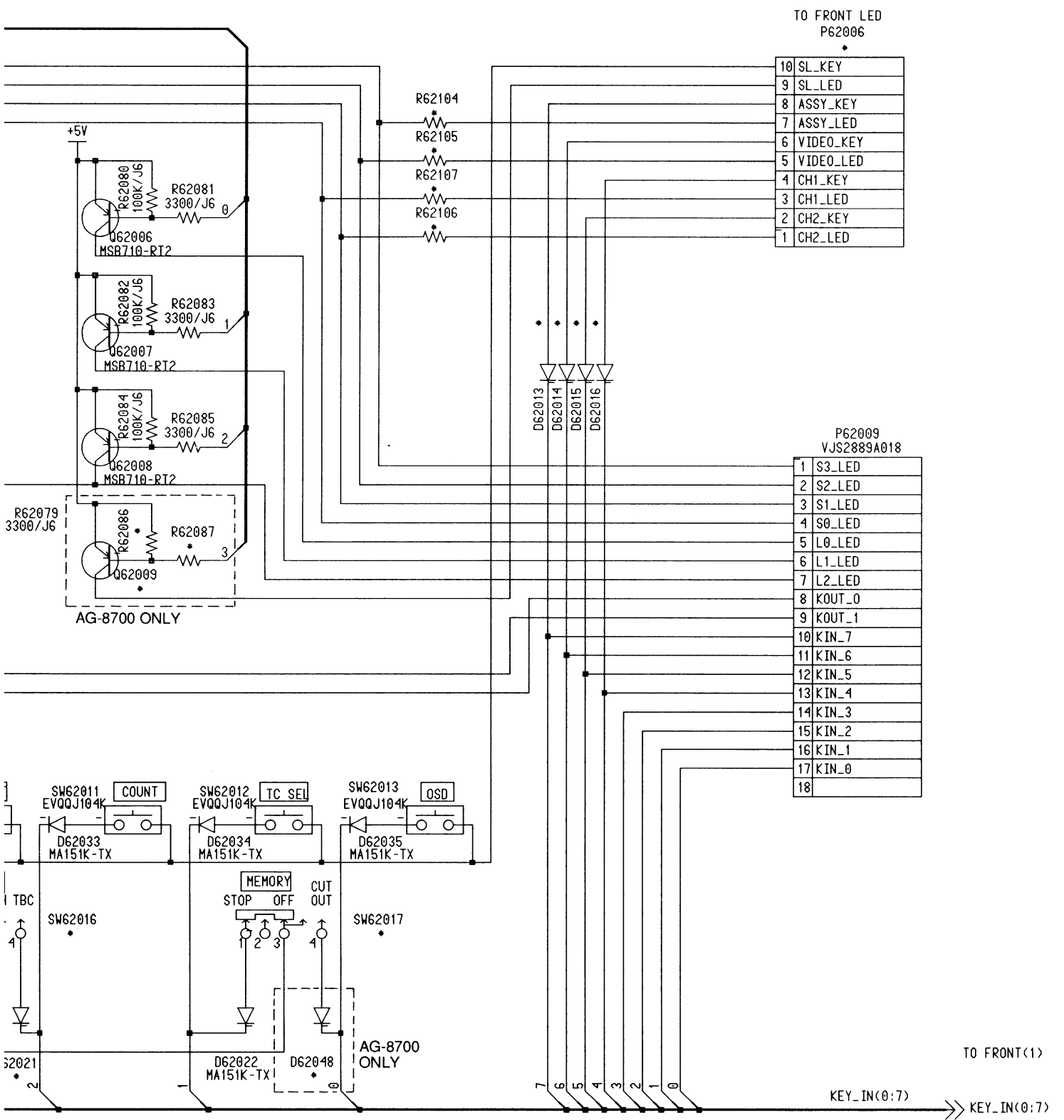
## FRONT-2 DC VOLTAGE CHART

REF. NO.	Q62002			Q62003			Q62004			
MODE	E	C	B	E	C	B	E	C	B	
STOP	0	2.9	0.2	0	3.8	0	0	3.7	0	
REC	0	3.7	0	0	2.8	0.2	0	3.7	0	
REF. NO.	Q62005			Q62006			Q62007			
MODE	E	C	B	E	C	B	E	C	B	
STOP	0	3.5	0	5.1	2.6	4.9	5.1	2.6	4.9	
REC	0	2.5	0.2	5.1	1.8	4.9	5.1	2.6	4.9	
REF. NO.	Q62008			Q62009						
MODE	E	C	B	E	C	B				
STOP	5.2	2.6	4.9	5.1	1.8	4.9				
REC	5.1	2.6	4.9	5.1	1.8	4.9				

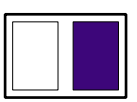


# FRONT-2 SCHEMATIC DIAGRAM 2/4 (E16: Page CBA-12)

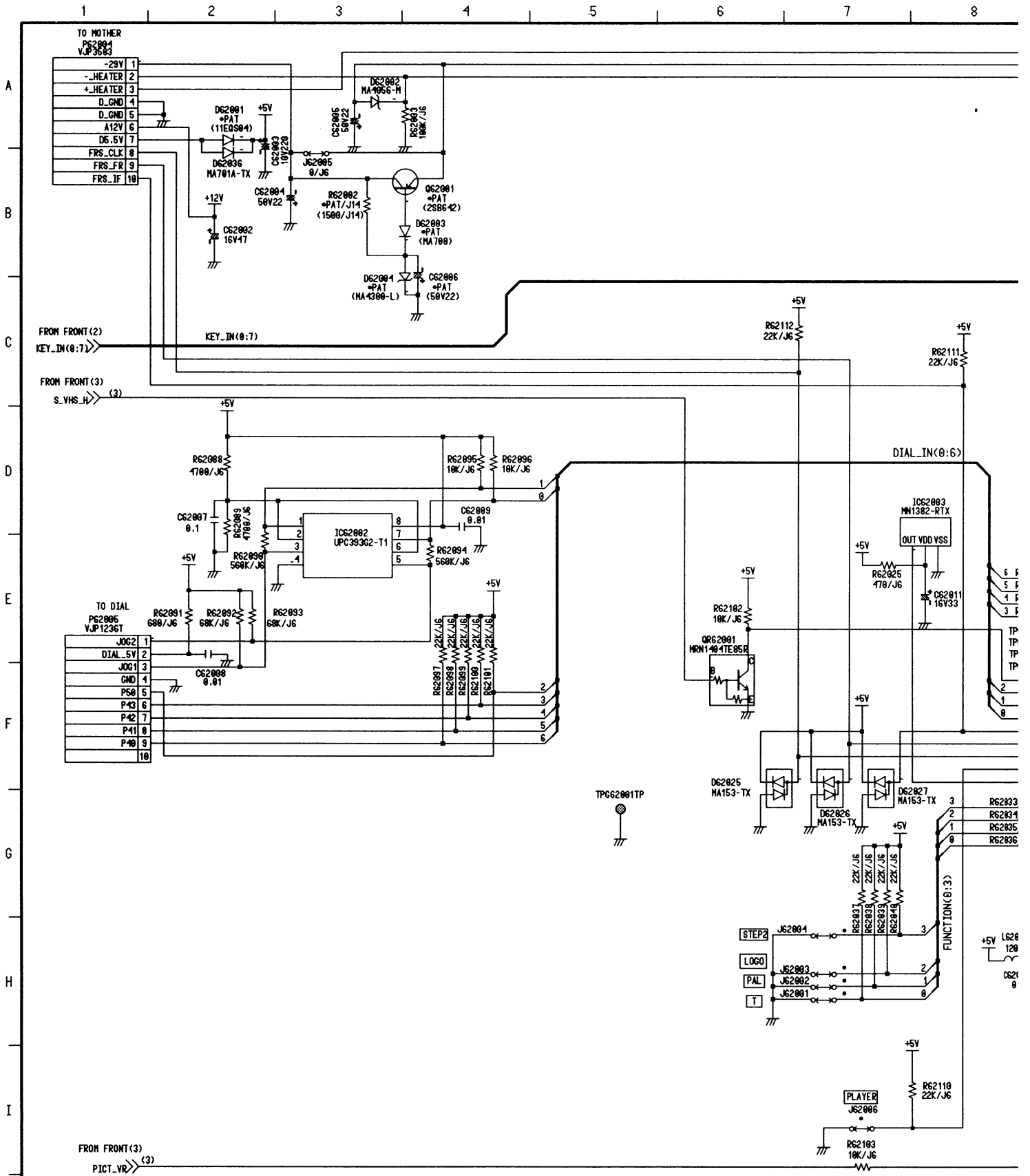




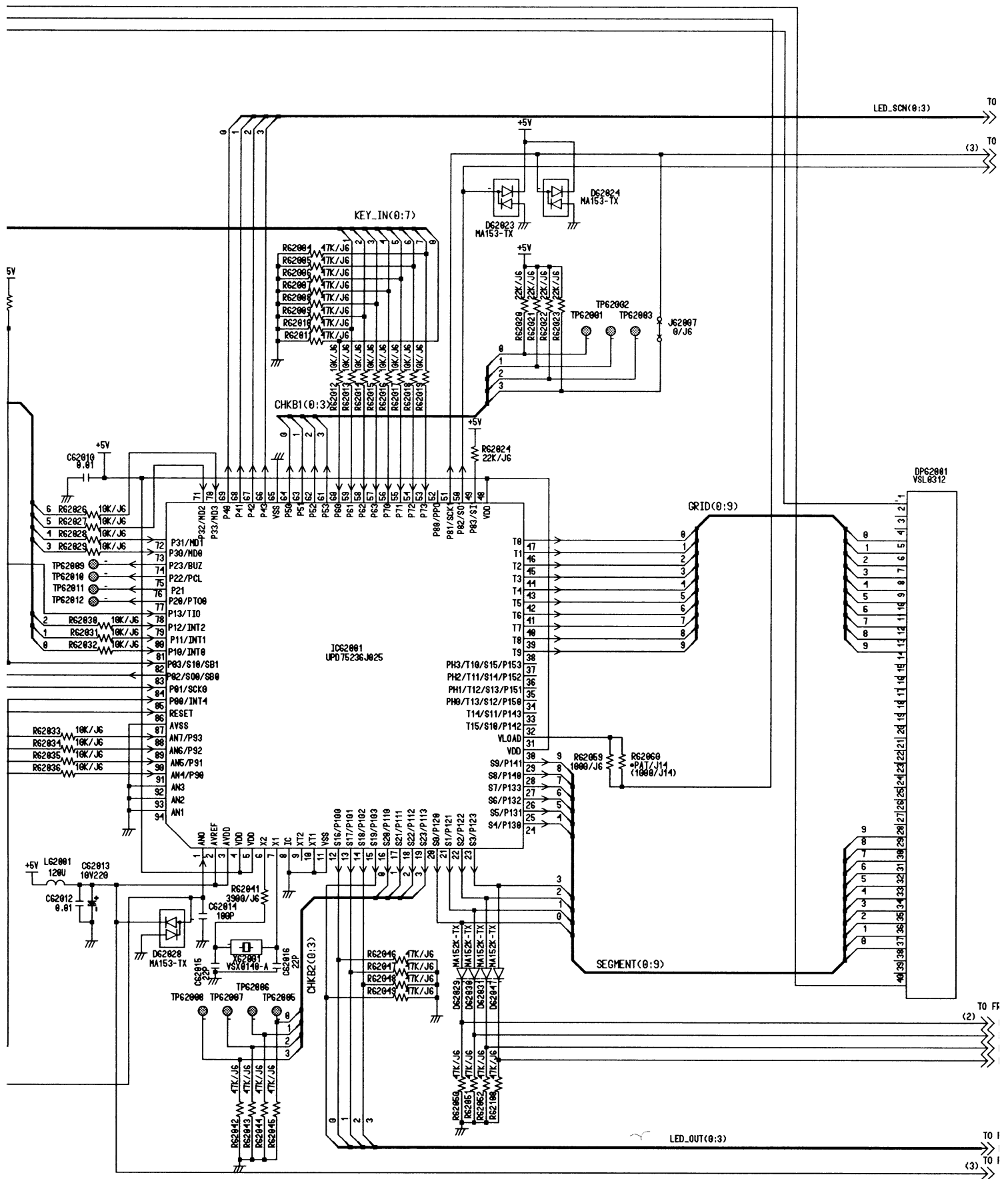
\*=REFER TO THE COMPARISON CHART



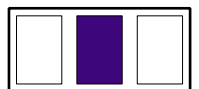
# FRONT-1 SCHEMATIC DIAGRAM 1/4 (E16: Page CBA-12)

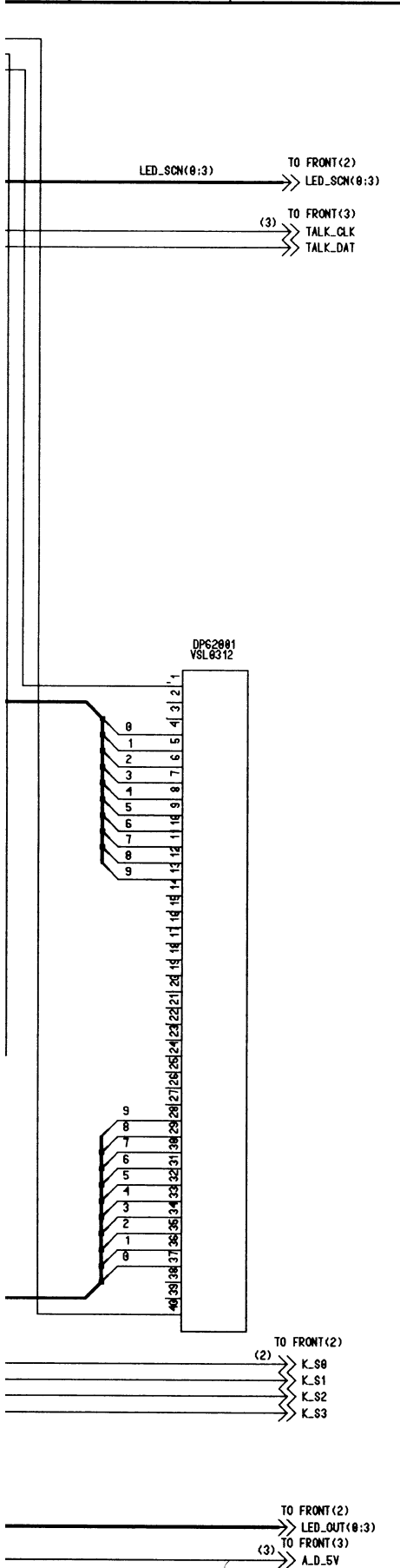






REFER TO THE COMPARISON CHART  
 Ref No.62000 Series.



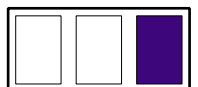
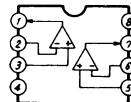


\*REFER TO THE COMPARISON CHART  
Ref No.62000 Series.

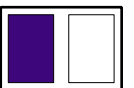
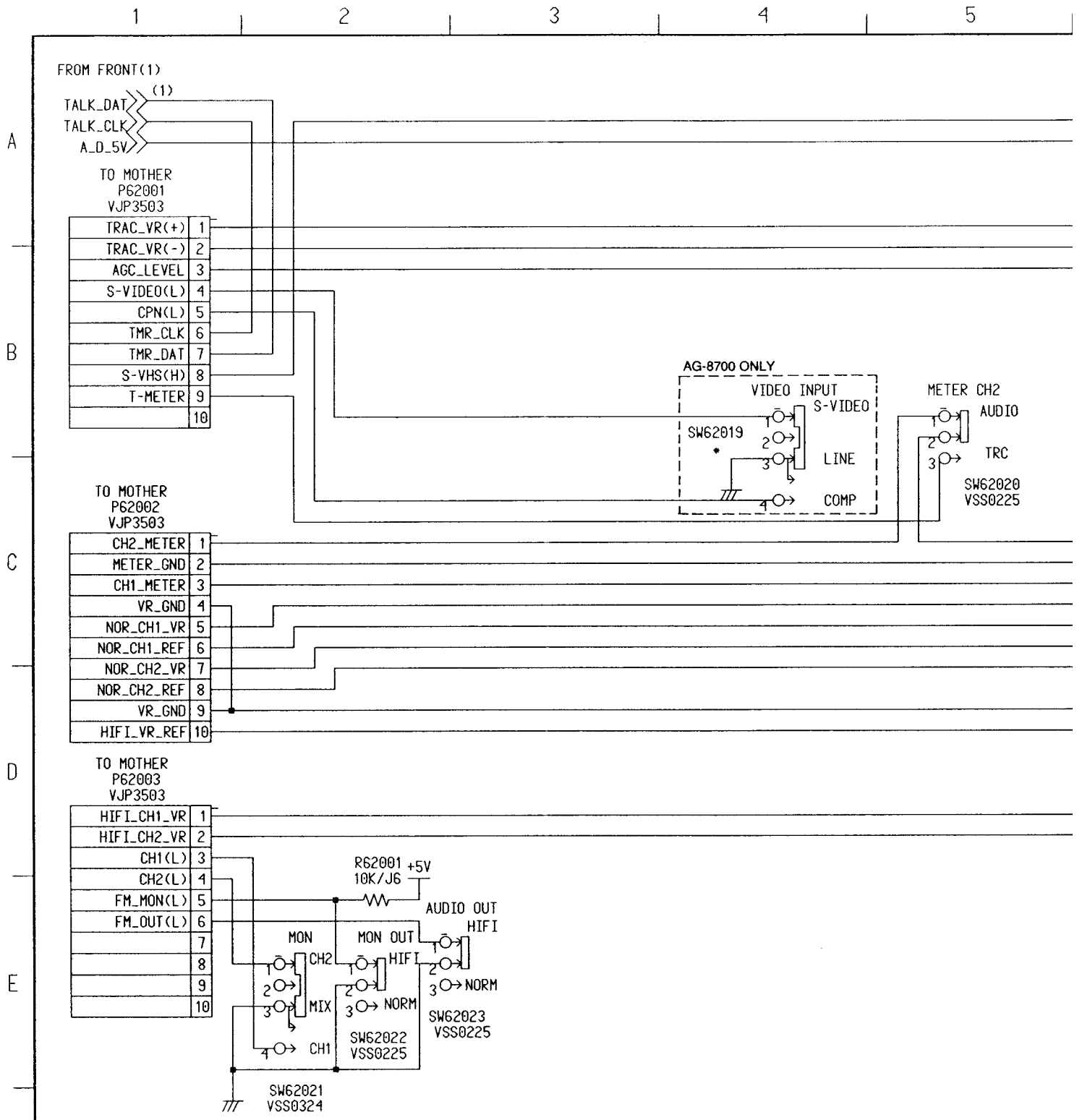
### FRONT-1 DC VOLTAGE CHART

REF. NO.	IC62001									
MODE	1	2	3	4	5	6	7	8	9	10
STOP	-	5.1	5.1	5.1	5.1	2.6	2.5	0	5.2	0
REC	-	5.1	5.1	5.1	5.1	2.6	2.5	0	5.1	0
REF. NO.	IC62001									
MODE	11	12	13	14	15	16	17	18	19	20
STOP	0	0	0	0	0	0	0	0	0	-
REC	0	0	1.2	0	1.2	0	0	0	0	-
REF. NO.	IC62001									
MODE	21	22	23	24	25	26	27	28	29	30
STOP	-3.6	-6.6	-6.6	-3.8	-3.8	-22.7	-25.5	-14.5	-17.2	5.2
REC	-8.9	-8.7	-12.1	-13.8	-13.7	-16.1	-25.5	-14.5	-17.2	5.2
REF. NO.	IC62001									
MODE	31	32	33	34	35	36	37	38	39	40
STOP	-26.0	0	0	0	0	0	0	-23.0	-23.0	-23.0
REC	-26.0	0	0	0	0	0	0	-23.0	-23.0	-23.0
REF. NO.	IC62001									
MODE	41	42	43	44	45	46	47	48	49	50
STOP	-23.0	-22.9	-22.9	-22.9	-22.7	-22.7	-23.0	5.2	5.1	0
REC	-23.0	-23.1	-23.2	-23.3	-23.0	-23.1	-23.3	5.1	5.1	1.0
REF. NO.	IC62001									
MODE	51	52	53	54	55	56	57	58	59	60
STOP	0	5.2	0	0	0	0	0	0	0	2.5
REC	4.7	5.1	0	0	0	0	0	0	0	2.4
REF. NO.	IC62001									
MODE	61	62	63	64	65	66	67	68	69	70
STOP	0	0	0	0	0	5.1	5.1	5.1	5.1	0
REC	0	0	0	0	0	3.8	3.8	3.8	3.8	0
REF. NO.	IC62001									
MODE	71	72	73	74	75	76	77	78	79	80
STOP	5.1	5.1	5.1	0	2.5	0	0	0	5.2	0
REC	5.1	5.1	5.1	0	2.5	0	0	0	5.2	0
REF. NO.	IC62001									
MODE	81	82	83	84	85	86	87	88	89	90
STOP	5.2	5.1	0	0	5.2	5.2	0	0	5.2	0
REC	5.1	5.1	3.8	5.1	5.1	0	0	0	0	0
REF. NO.	IC62001									
MODE	91	92	93	94						
STOP	0	0	0	0						
REC	0	0	0	0						
REF. NO.	IC62002									
MODE	1	2	3	4	5	6	7	8		
STOP	0	2.5	4.5	0	4.6	2.5	5.1	5.1		
REC	0	2.5	4.5	0	4.6	2.5	5.1	5.1		
REF. NO.	IC62003									
MODE	1	2	3							
STOP	5.1	5.1	0							
REC	5.1	5.1	0							
REF. NO.	QR62001									
MODE	E	C	B							
STOP	0	0	4.6							
REC	0	0	4.9							

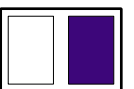
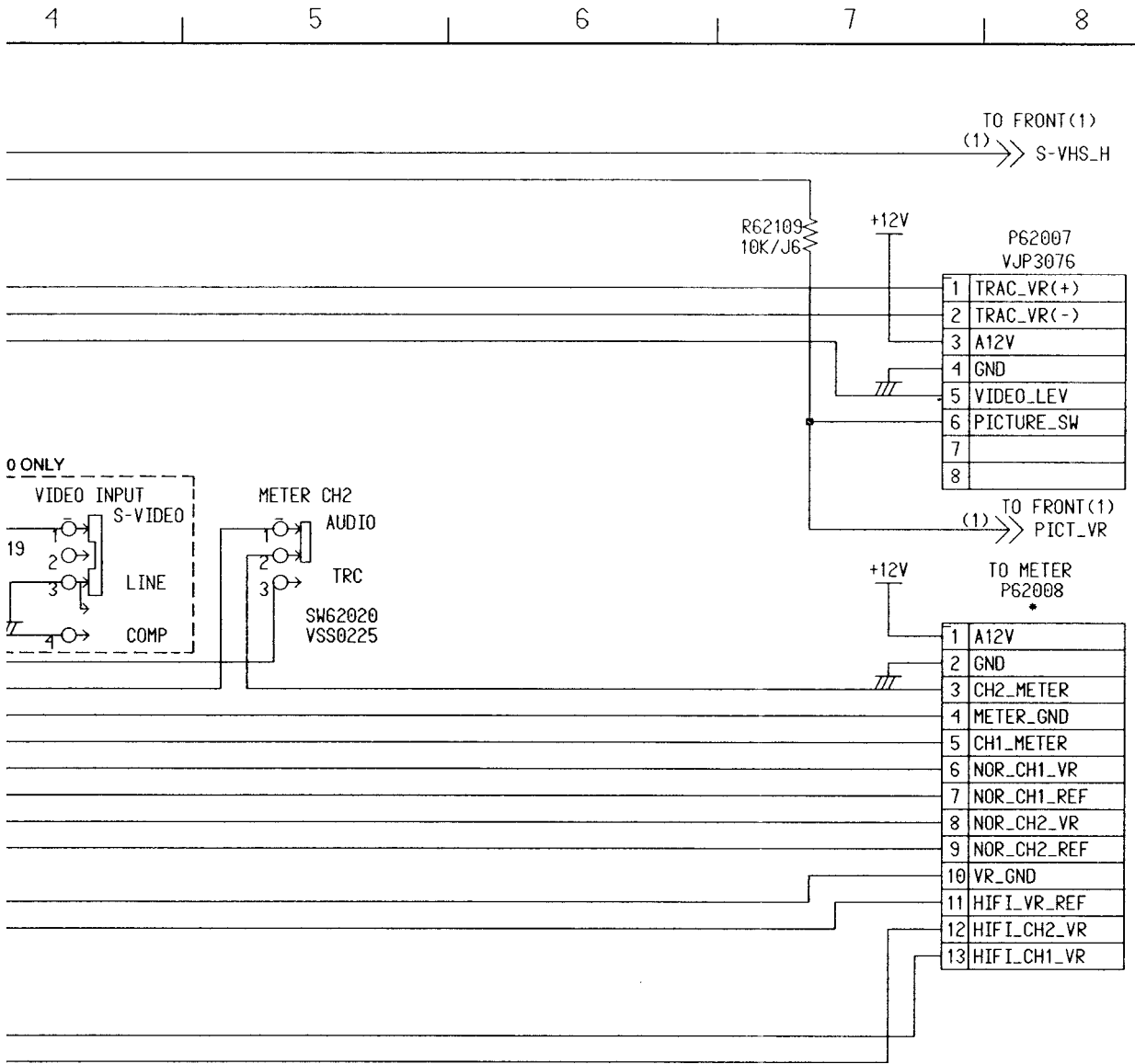
IC62002  
uPC39362



# FRONT-3 SCHEMATIC DIAGRAM 3/4 (E16: Page CBA-12)



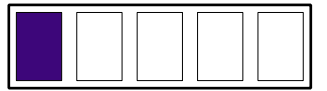
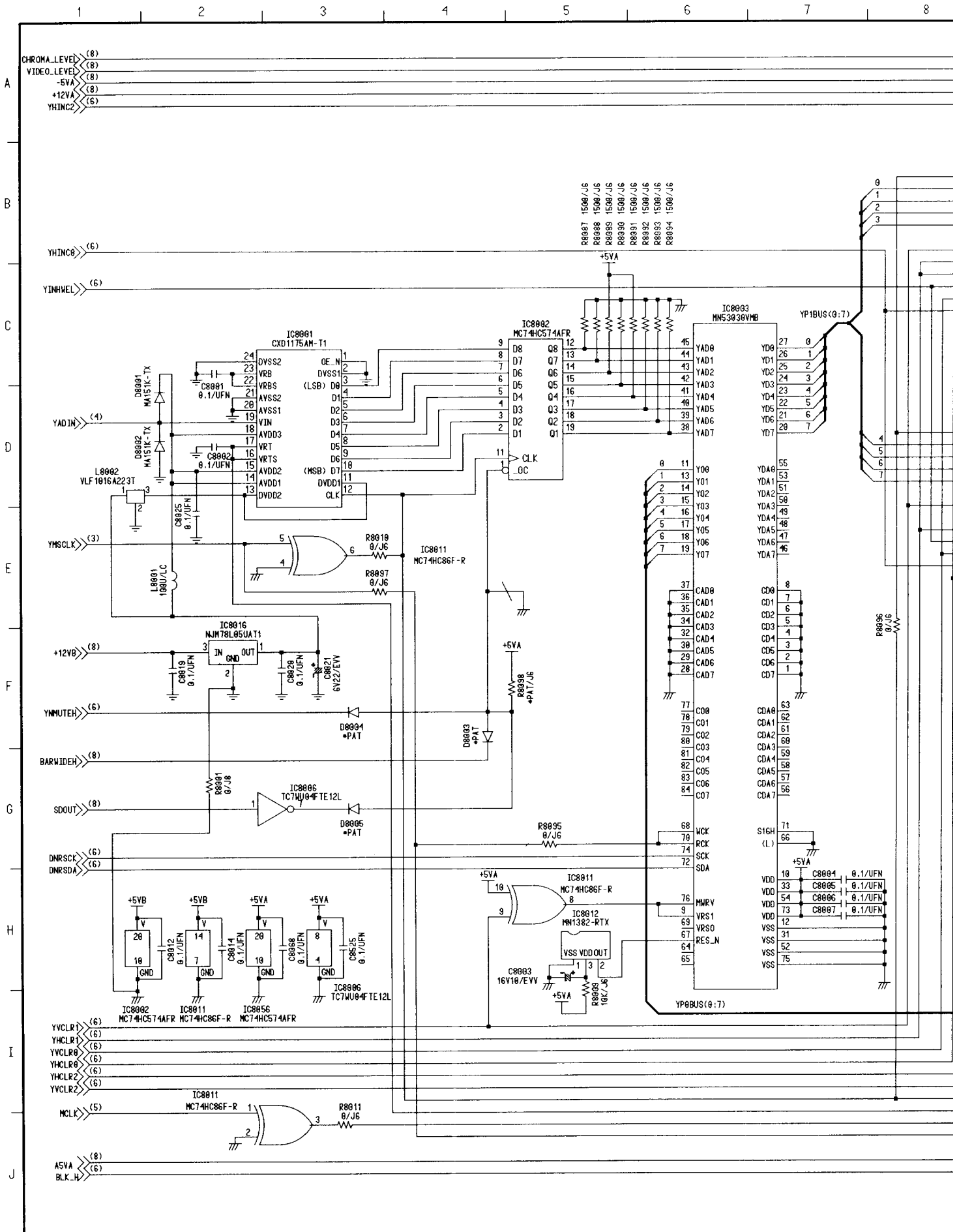
# BA-12)

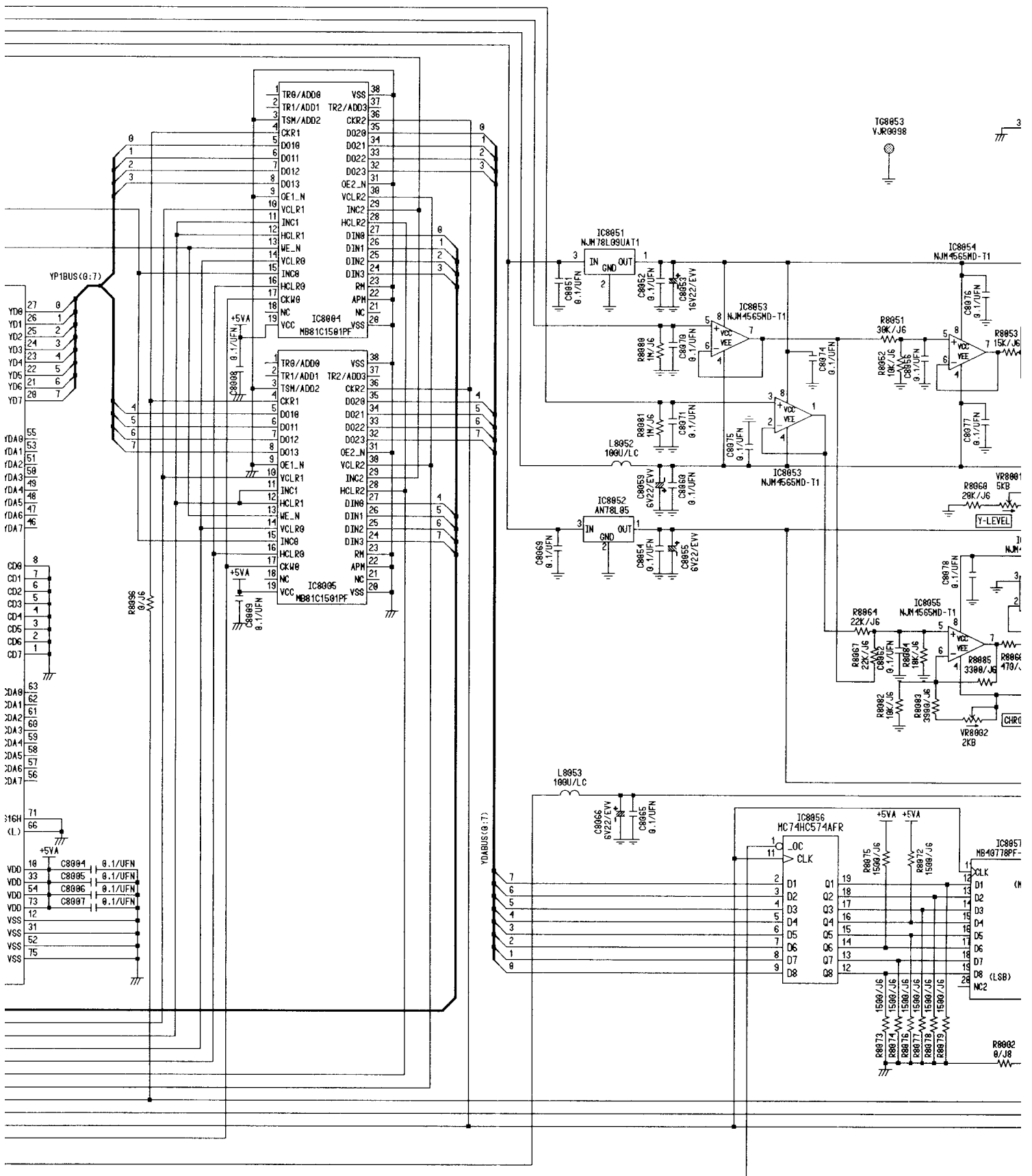


## FRONT COMPARISON CHART 4/4 (E16: Page CBA-12)

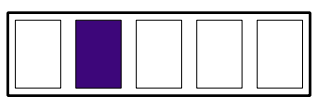
\$REF\$	AG-8700	AG-8600	ON
C62006	*PAT/EVV	*PAT/EVV	50V22/EVV
D62001	*PAT	*PAT	11EQS04TA1
D62003	*PAT	*PAT	MA700A-TA
D62004	*PAT	*PAT	MA4300-L
D62013	MA151K-TX	MA151K-TX	MA151K-TX
D62014	MA151K-TX	MA151K-TX	MA151K-TX
D62015	MA151K-TX	MA151K-TX	MA151K-TX
D62016	MA151K-TX	MA151K-TX	MA151K-TX
D62018	MA151K-TX	MA151K-TX	MA151K-TX
D62021	MA151K-TX	MA151K-TX	MA151K-TX
D62048	MA151K-TX	*PAT	MA151K-TX
D62049	*PAT	*PAT	MA151K-TX
D62050	MA151K-TX	MA151K-TX	MA151K-TX
J62001	*PAT/J6	*PAT/J6	0/J6
J62002	0/J6	0/J6	0/J6
J62003	*PAT/J6	*PAT/J6	0/J6
J62004	0/J6	0/J6	0/J6
J62006	*PAT/J6	0/J6	0/J6
P62006	VJS2949B010	VJS2949B010	VJS2949B010
P62008	VJP1394T	VJP3530	VJP1394T
Q62001	*PAT	*PAT	2SB642-RT2
Q62009	MSB710-RT2	*PAT	MSB710-RT2
R62002	*PAT/J14	*PAT/J14	1500/J14
R62060	*PAT/J14	*PAT/J14	1000/J14
R62086	100K/J6	*PAT/J6	100K/J6
R62087	1000/J6	*PAT/J6	1000/J6
R62104	47/J14	*PAT/J14	47/J14
R62105	33/J14	*PAT/J14	33/J14
R62106	33/J14	*PAT/J14	33/J14
R62107	33/J14	*PAT/J14	33/J14
SW62014	VSS0225	VSS0225	VSS0225
SW62016	VSS0324	VSS0324	VSS0324
SW62017	VSS0324	VSS0225	VSS0324
SW62018	VSS0225	VSS0225	VSS0324
SW62019	VSS0225	*PAT	VSS0324
TP62001	*PAT	*PAT	AVSD1
TP62002	*PAT	*PAT	AVSD2
TP62003	*PAT	*PAT	AVSD3
TP62005	*PAT	*PAT	AVSD5
TP62006	*PAT	*PAT	AVSD6
TP62007	*PAT	*PAT	AVSD7
TP62008	*PAT	*PAT	AVSD8
TP62009	*PAT	*PAT	AVSD9
TP62010	*PAT	*PAT	AVSD10
TP62011	*PAT	*PAT	AVSD11
TP62012	*PAT	*PAT	AVSD12

# Y MEMORY SCHEMATIC DIAGRAM 1/9 (E11: Page CBA-9)





\*-REFE1  
Ref 1







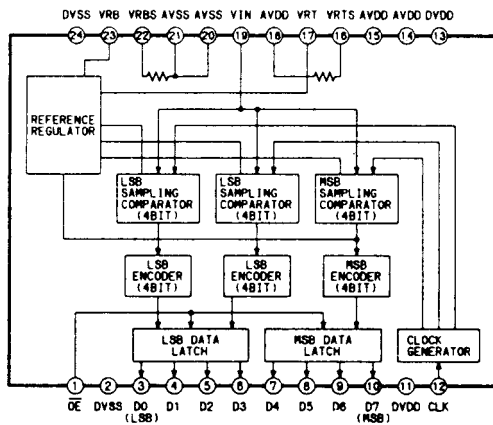
# Y MEMORY DC VOLTAGE CHART

REF. NO.		IC8001																			
MODE		1	2	3	4	5	6	7	8	9	10	11	12	13	14	15	16	17	18	19	20
EJECT		0	0	1.9	1.9	1.6	1.8	3.7	1.7	0.9	1.4	5.0	2.4	5.0	5.0	5.0	2.7	2.7	5.0	1.2	0
REC		0	0	1.9	2.1	1.7	1.9	3.7	1.7	0.9	1.4	5.0	2.4	5.0	5.0	2.7	2.7	5.0	1.2	0	
REF. NO.		IC8001																			
MODE		21	22	23	24																
EJECT		0	0.6	0.6	0																
REC		0	0.6	0.6	0																
REF. NO.		IC8002																			
MODE		1	2	3	4	5	6	7	8	9	10	11	12	13	14	15	16	17	18	19	20
EJECT		0	1.3	0.9	1.5	3.6	1.9	1.6	1.9	1.8	0	2.4	2.4	2.3	2.0	2.0	3.8	1.6	0.9	1.3	5.1
REC		0	1.4	0.9	1.5	3.7	1.9	1.7	2.1	1.9	0	2.4	2.4	2.4	2.0	2.0	3.8	1.6	0.9	1.3	5.1
REF. NO.		IC8003																			
MODE		1	2	3	4	5	6	7	8	9	10	11	12	13	14	15	16	17	18	19	20
EJECT		0	0	0	0	0	0	0	0	5.1	5.2	2.5	0	2.4	1.9	2.1	3.8	1.6	1.0	1.5	1.3
REC		0	0	0	0	0	0	0	0	5.1	5.2	2.5	0	2.5	2.0	2.0	3.8	1.7	1.0	1.4	1.3
REF. NO.		IC8003																			
MODE		21	22	23	24	25	26	27	28	29	30	31	32	33	34	35	36	37	38	39	40
EJECT		0.9	1.6	3.7	1.9	1.8	2.3	2.3	0	0	0	0	0	5.2	0	0	0	0	1.4	0.9	1.7
REC		0.9	1.6	3.6	1.9	1.8	2.3	2.3	0	0	0	0	0	5.2	0	0	0	0	1.4	0.9	1.6
REF. NO.		IC8003																			
MODE		41	42	43	44	45	46	47	48	49	50	51	52	53	54	55	56	57	58	59	60
EJECT		3.8	1.9	2.0	2.3	2.4	1.4	0.9	1.7	3.8	2.0	2.0	0	2.4	5.2	2.5	0	0	0	0	0
REC		3.8	1.9	2.0	2.4	2.4	1.4	1.0	1.7	3.8	2.0	2.0	0	2.5	5.2	2.5	0	0	0	0	0
REF. NO.		IC8003																			
MODE		61	62	63	64	65	66	67	68	69	70	71	72	73	74	75	76	77	78	79	80
EJECT		0	0	0	0	0	0	5.2	1.5	5.2	1.5	0	0	5.2	5.2	0	5.1	0	0	0	0
REC		0	0	0	0	0	0	5.1	1.5	5.2	1.5	0	0	5.2	5.2	0	5.1	0	0	0	0
REF. NO.		IC8003																			
MODE		81	82	83	84																
EJECT		0	0	0	0																
REC		0	0	0	0																
REF. NO.		IC8004																			
MODE		1	2	3	4	5	6	7	8	9	10	11	12	13	14	15	16	17	18	19	20
EJECT		0.4	0.3	0	2.4	2.3	2.3	1.8	1.9	0	0	0	0	0	0	0	0	1.5	0	0	0
REC		0.4	0.3	0	2.4	2.3	2.1	1.8	1.9	0	0	0	0	0	0	0	0	1.5	0	5.2	0
REF. NO.		IC8004																			
MODE		21	22	23	24	25	26	27	28	29	30	31	32	33	34	35	36	37	38		
EJECT		0	0	0	2.1	1.9	2.4	2.5	0	0	0	0	1.9	1.8	2.3	2.4	2.6	0.3	0		
REC		0	0	0	1.7	2.7	2.1	2.5	0	0	0	0	1.6	2.1	2.3	2.4	2.6	0.3	0		
REF. NO.		IC8005																			
MODE		1	2	3	4	5	6	7	8	9	10	11	12	13	14	15	16	17	18	19	20
EJECT		0.4	0.3	0	2.4	3.3	1.6	1.0	0	0	0	0	0	0	0	0	0	1.5	0	5.2	0
REC		0.4	0.3	0	2.4	3.3	1.6	1.1	1.1	0	0	0	0	0	0	0	0	1.5	0	5.2	0
REF. NO.		IC8005																			
MODE		21	22	23	24	25	26	27	28	29	30	31	32	33	34	35	36	37	38		
EJECT		0	0	0	0	1.0	1.7	3.8	0	0	0	0	1.3	0.9	1.6	3.8	2.6	0.3	0		
REC		0	0	0	0	1.3	1.2	1.8	3.8	0	0	0	1.1	1.0	1.8	3.7	2.6	0.3	0		
REF. NO.		IC8006																			
MODE		1	2	3	4	5	6	7	8												
EJECT		0.2	2.5	0	0	5.2	2.6	5.2	5.2												
REC		0.2	2.5	0	0	5.2	2.7	5.2	5.2												
REF. NO.		IC8011																			
MODE		1	2	3	4	5	6	7	8	9	10	11	12	13	14						
EJECT		1.5	0	2.6	0	1.5	2.4	0	5.1	0	0	5.1	4.6	0	5.1						
REC		1.5	0	2.6	0	1.5	2.4	0	5.1	0	5.2	0	0.1	0	5.1						
REF. NO.		IC8012										IC8016									
MODE		1	2	3								I	G	O							
EJECT		0	5.1	5.1								11.5	0	5.0							
REC		0	5.1	5.1								11.5	0	5.0							

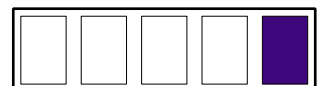
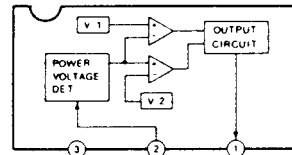


REF. NO.	IC8051					IC8052					
MODE	I	G	O			I	G	O			
EJECT	11.6	0	9.1			11.6	0	5.1			
REC	11.6	0	9.1			11.6	0	5.1			
REF. NO.	IC8053										
MODE	1	2	3	4	5	6	7	8			
EJECT	0	0	0	-5.0	0	0	0	9.1			
REC	0	0	0	-5.0	0	0	0	9.1			
REF. NO.	IC8054										
MODE	1	2	3	4	5	6	7	8			
EJECT	4.1	2.0	2.0	-5.0	0	0	0	9.1			
REC	4.1	2.0	2.0	-5.0	0	0	0	9.1			
REF. NO.	IC8055										
MODE	1	2	3	4	5	6	7	8			
EJECT	0	0	0	-5.0	0	0	3.6	9.1			
REC	0	0	0	-5.0	0	0	3.6	9.1			
REF. NO.	IC8056										
MODE	1	2	3	4	5	6	7	8	9	10	
EJECT	1.1	1.3	0.9	1.7	3.8	2.0	1.9	2.4	2.4	0	
REC	1.1	1.3	0.9	1.6	3.8	1.9	1.9	2.4	2.4	0	
REF. NO.	IC8056										
MODE	11	12	13	14	15	16	17	18	19	20	
EJECT	2.6	2.1	2.0	2.9	2.0	4.3	1.6	1.0	1.4	5.2	
REC	2.6	2.1	2.1	2.9	2.0	4.3	1.6	1.0	1.4	5.2	
REF. NO.	IC8057										
MODE	1	2	3	4	5	6	7	8	9	10	
EJECT	0	4.8	2.7	4.1	5.1	4.2	0	5.1	4.8	0	
REC	0	4.8	2.7	4.1	5.1	4.2	0	5.1	4.8	0	
REF. NO.	IC8057										
MODE	11	12	13	14	15	16	17	18	19	20	
EJECT	2.6	1.4	1.0	1.6	4.2	2.0	2.9	2.0	2.2	0	
REC	2.6	1.4	1.0	1.7	4.3	2.0	2.8	1.8	2.2	0	

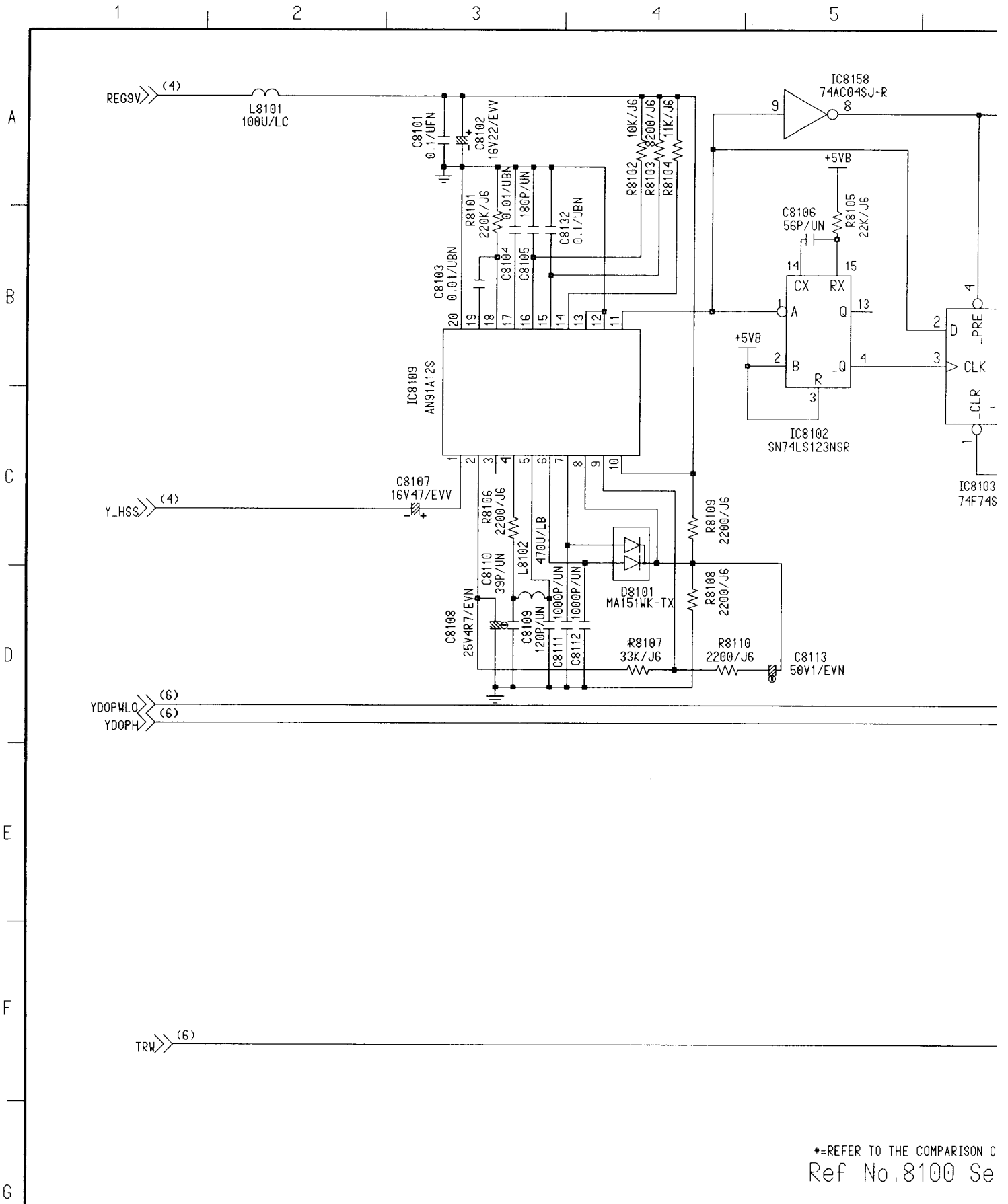
IC8001  
CXD1175M



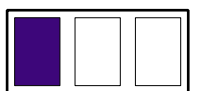
IC8012  
MN1382-RTW



# PB SYNC SEP SCHEMATIC DIAGRAM 2/9 (E11: Page CBA-9)



\*=REFER TO THE COMPARISON C  
Ref No.8100 Se



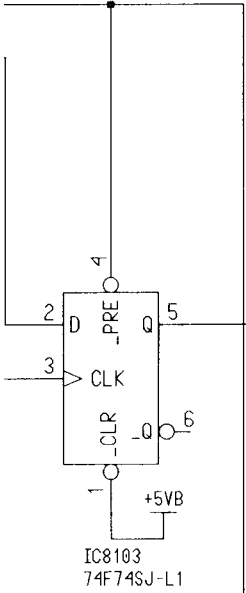
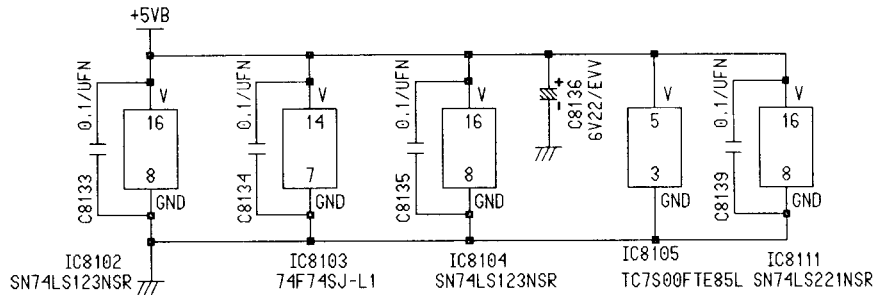
6

7

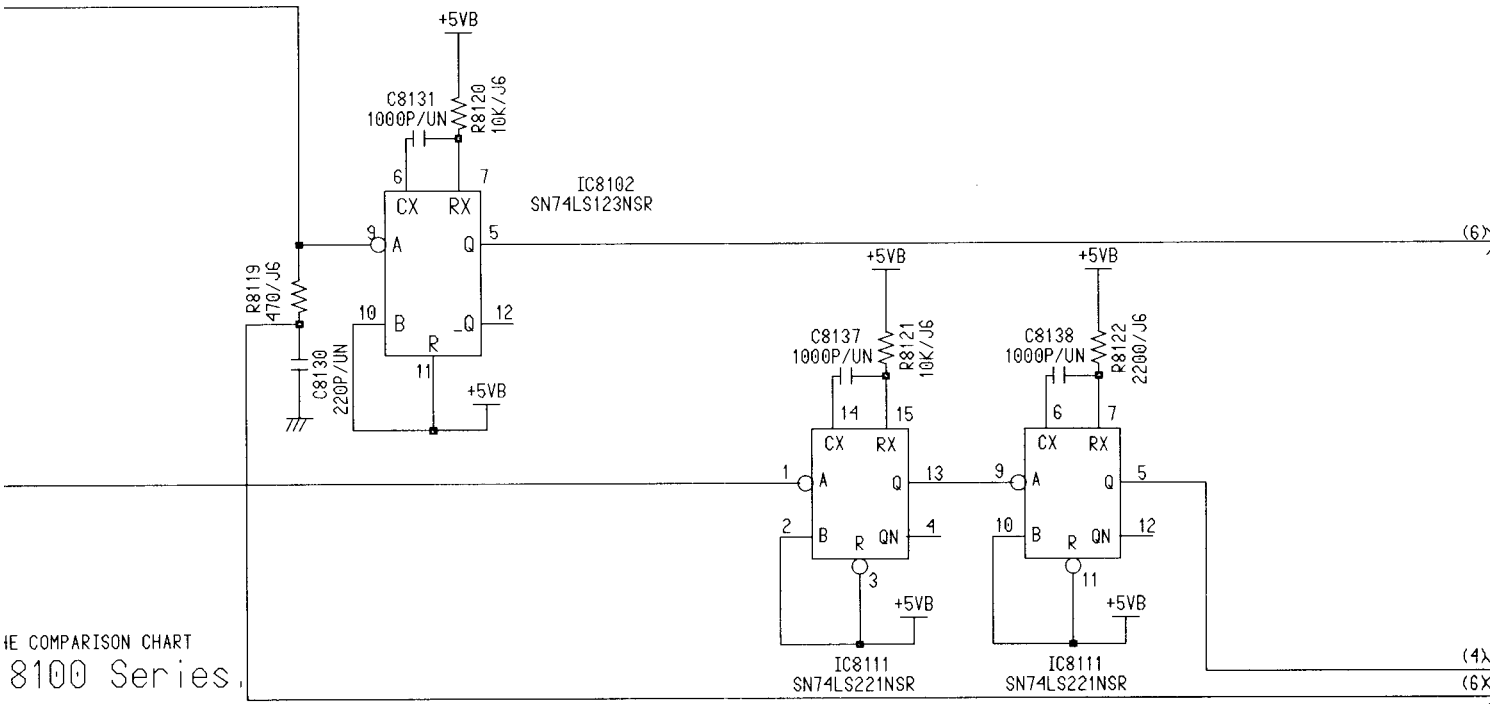
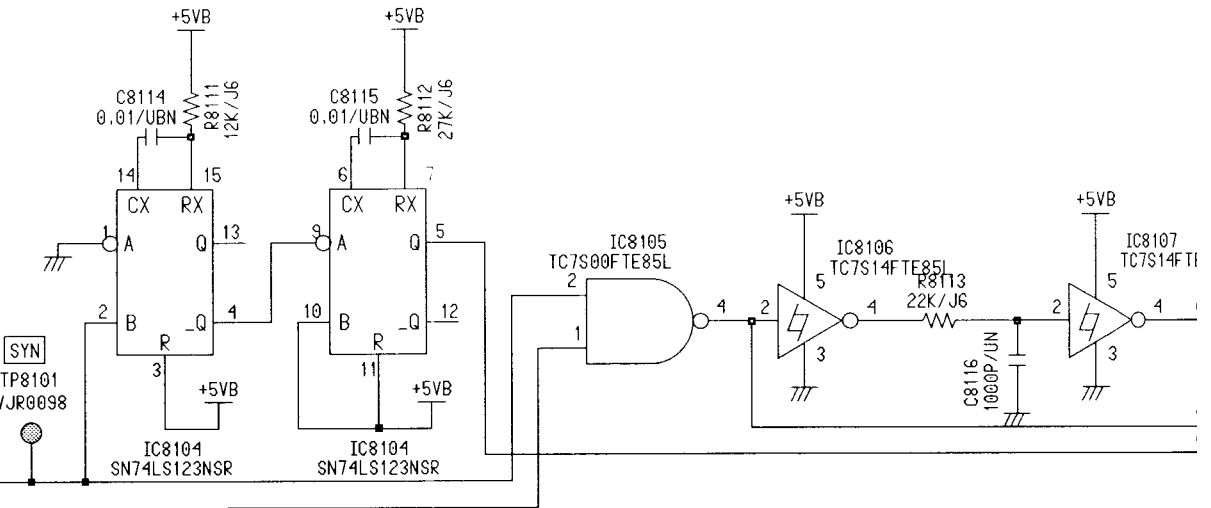
8

9

10



(6)

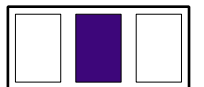


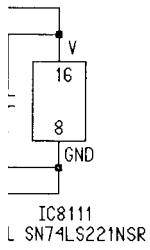
(6)

(4)

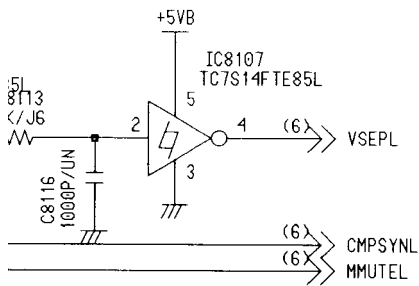
(6)

HE COMPARISON CHART  
8100 Series





(6) >>> YSYNCL



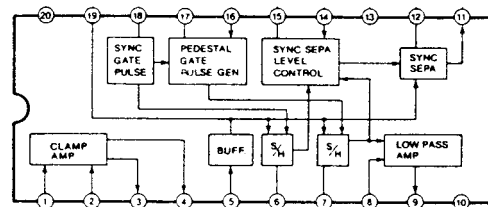
(6) >>> DOMM

(4) >>> YHOSC  
(6) >>> DOCR

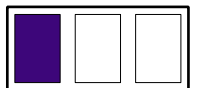
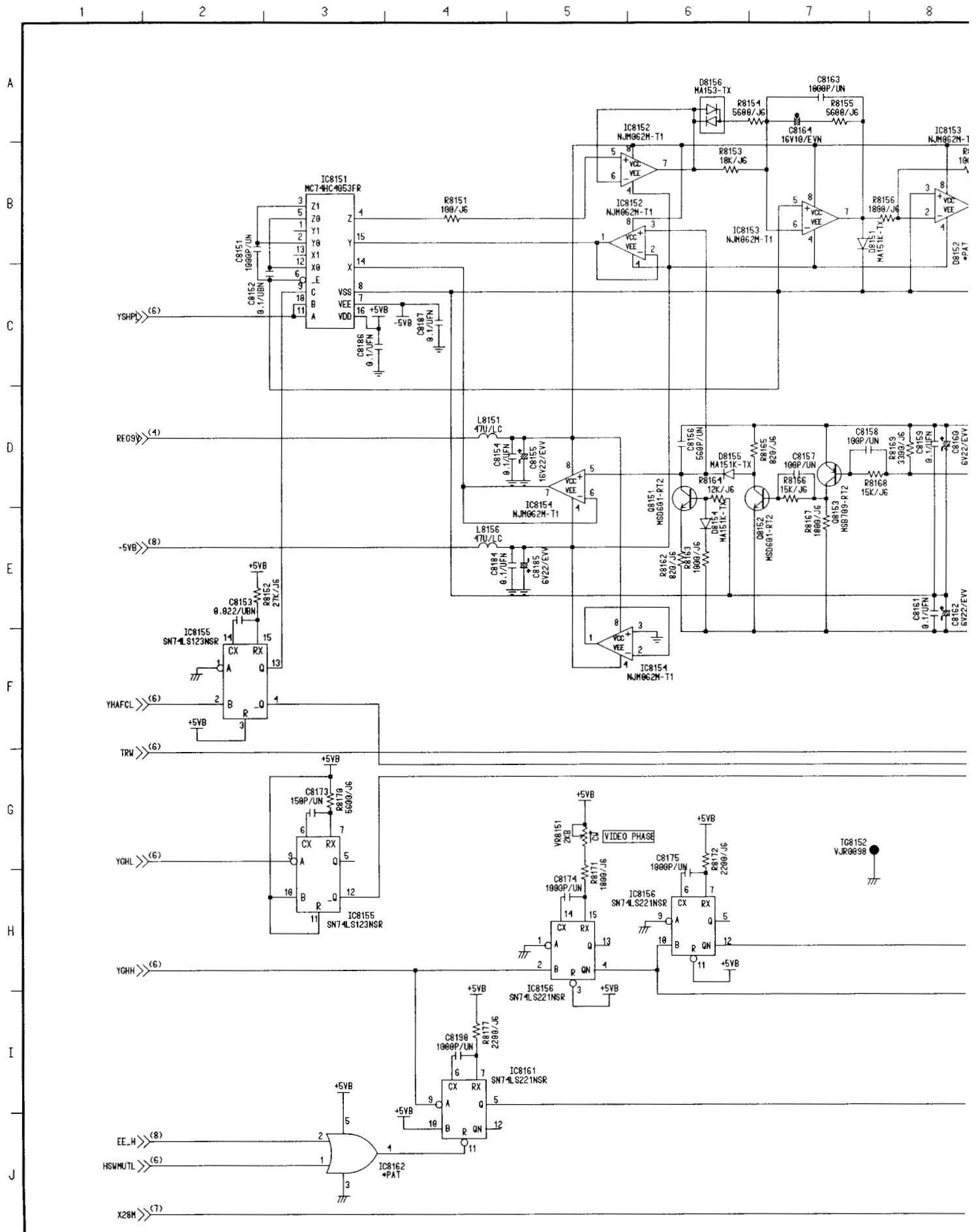
### PB SYNC SEP DC VOLTAGE CHART

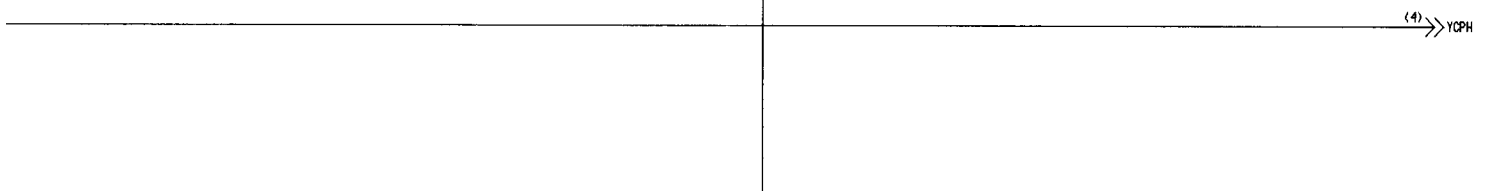
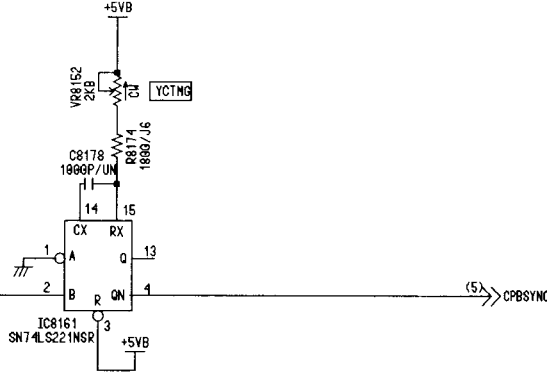
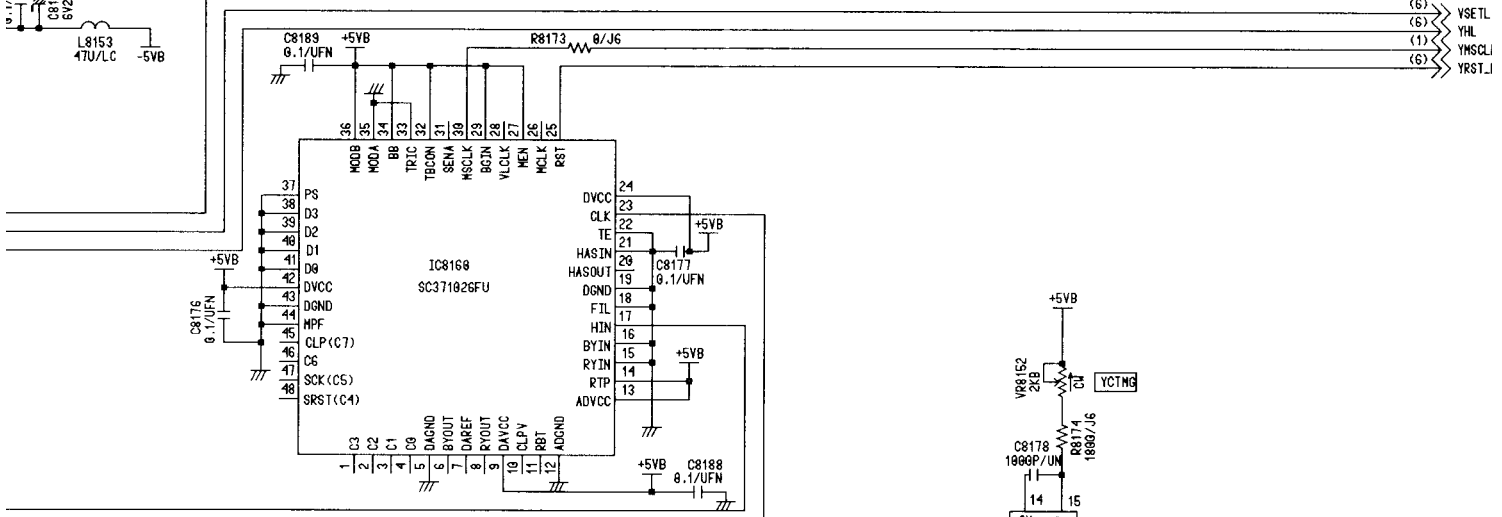
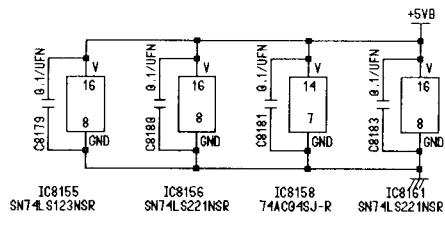
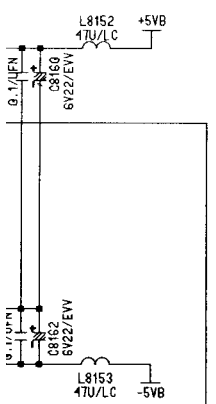
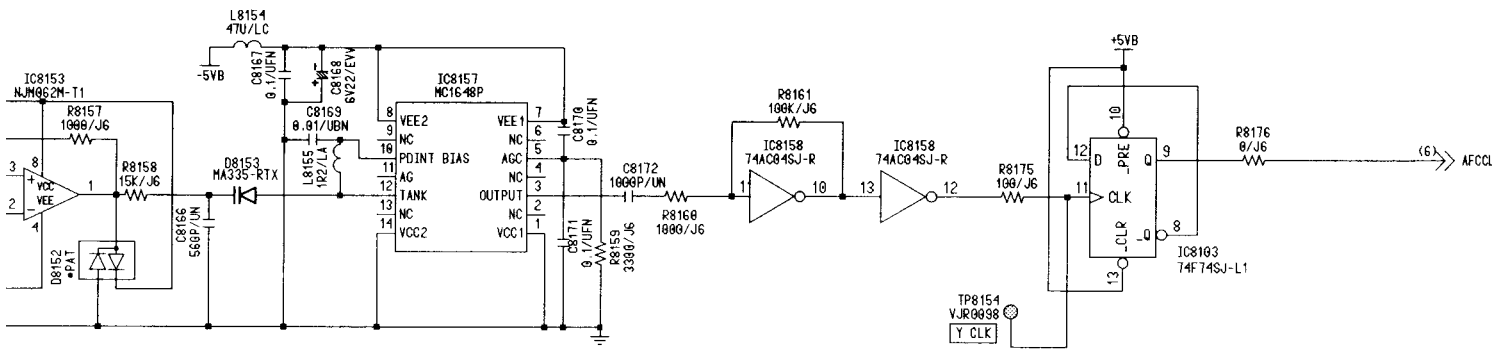
REF. NO.	IC8102									
MODE	1	2	3	4	5	6	7	8	9	10
EJECT	4.8	5.1	5.1	4.5	0.1	0	1.6	0	0	5.1
REC	4.8	5.1	5.1	4.5	0.1	0	1.6	0	0	5.1
REF. NO.	IC8102									
MODE	11	12	13	14	15	16				
EJECT	5.1	4.6	0.1	0	1.3	5.1				
REC	5.1	4.6	0.1	0	1.3	5.1				
REF. NO.	IC8103									
MODE	1	2	3	4	5	6	7	8	9	10
EJECT	5.1	4.9	4.5	0	4.3	0.5	0	1.8	1.8	5.1
REC	5.1	4.8	4.5	0.4	4.3	0.5	0	1.7	1.7	5.1
REF. NO.	IC8103									
MODE	11	12	13	14						
EJECT	2.7	1.8	5.1	5.1						
REC	2.8	1.7	5.1	5.1						
REF. NO.	IC8104									
MODE	1	2	3	4	5	6	7	8	9	10
EJECT	0	0.4	5.1	1.8	5.0	0	1.2	0	1.8	5.1
REC	0	0.4	5.1	1.8	5.0	0	1.2	0	1.8	5.1
REF. NO.	IC8104									
MODE	11	12	13	14	15	16				
EJECT	5.1	0.2	2.8	0	1.5	5.1				
REC	5.1	0.2	2.8	0	1.5	5.1				
REF. NO.	IC8105									
MODE	1	2	3	4	5					
EJECT	5.2	2.4	0	4.7	5.1					
REC	5.2	0.4	0	4.7	5.1					
REF. NO.	IC8106									
MODE	1	2	3	4	5					
EJECT	0	4.7	0	0.4	5.1					
REC	0	4.7	0	0.4	5.1					
REF. NO.	IC8107									
MODE	1	2	3	4	5					
EJECT	0	0.4	0	5.0	5.1					
REC	0	0.4	0	5.0	5.1					
REF. NO.	IC8109									
MODE	1	2	3	4	5	6	7	8	9	10
EJECT	3.8	4.1	5.2	5.9	5.9	3.4	4.5	4.5	4.2	8.9
REC	3.8	4.1	5.2	5.9	5.9	3.4	4.5	4.5	4.2	8.9
REF. NO.	IC8109									
MODE	11	12	13	14	15	16	17	18	19	20
EJECT	4.9	0	0	8.0	8.0	7.1	6.7	4.0	5.9	0
REC	4.9	0	0	8.0	8.0	7.1	6.7	4.0	5.9	0
REF. NO.	IC8111									
MODE	1	2	3	4	5	6	7	8	9	10
EJECT	2.6	5.1	5.1	3.9	0.2	4.9	1.2	0	0.6	5.1
REC	2.6	5.1	5.1	3.9	0.2	4.9	1.2	0	0.6	5.1
REF. NO.	IC8111									
MODE	11	12	13	14	15	16				
EJECT	5.1	4.3	0.6	4.5	0.6	5.1				
REC	5.1	4.3	0.6	4.5	0.6	5.1				

### IC8109 AN91A12S

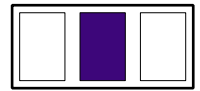


# WRITE PLL SCHEMATIC DIAGRAM 3/9 (E11: Page CBA-9)





Ref NO.8100 Series.



# WRITE PLL DC VOLTAGE CHART

REF. NO. IC8151											
MODE	1	2	3	4	5	6	7	8	9	10	
EJECT	0.5	0	0	0	0	0	-5.0	0	4.6	5.1	
REC	0.5	0	0	0	0	0	-5.0	0	4.5	5.1	
REF. NO. IC8151											
MODE	11	12	13	14	15	16					
EJECT	5.1	0	0.5	0.5	0.5	5.1					
REC	5.1	0	0.5	0.5	0.5	5.1					
REF. NO. IC8152											
MODE	1	2	3	4	5	6	7	8			
EJECT	0.5	0.5	0.7	-5.0	0	0	0	9.0			
REC	0.5	0.5	0.7	-5.0	0	0	0	9.0			
REF. NO. IC8153											
MODE	1	2	3	4	5	6	7	8			
EJECT	1.0	0	0	-5.0	0	0	-1.8	9.0			
REC	1.0	0	0	-5.0	0	0	-1.8	9.0			
REF. NO. IC8154											
MODE	1	2	3	4	5	6	7	8			
EJECT	0	0	0	-5.0	0.7	0.5	0.5	9.0			
REC	0	0	0	-5.0	0.7	0.5	0.5	9.0			
REF. NO. IC8155											
MODE	1	2	3	4	5	6	7	8	9	10	
EJECT	0	5.1	5.1	0.2	0.1	0	1.9	0	4.9	5.1	
REC	0	5.1	5.1	0.2	0.1	0	1.8	0	4.9	5.1	
REF. NO. IC8155											
MODE	11	12	13	14	15	16					
EJECT	5.1	4.5	4.5	0	1.0	5.1					
REC	5.1	4.5	4.5	0	1.0	5.1					
REF. NO. IC8156											
MODE	1	2	3	4	5	6	7	8	9	10	
EJECT	0	0.3	5.1	4.3	0.2	4.9	1.2	0	0	4.3	
REC	0	0.3	5.1	4.3	0.2	4.9	1.2	0	0	4.3	
REF. NO. IC8156											
MODE	11	12	13	14	15	16					
EJECT	5.1	4.3	0.2	4.9	1.2	5.1					
REC	5.1	4.3	0.2	4.9	1.2	5.1					
REF. NO. IC8157											
MODE	1	2	3	4	5	6	7	8	9	10	
EJECT	0	0	-1.2	0	-3.6	0	-5.0	-5.0	0	-3.4	
REC	0	0	-1.2	0	-3.6	0	-5.0	-5.0	0	-3.4	
REF. NO. IC8157											
MODE	11	12	13	14							
EJECT	0	-3.4	0	0							
REC	0	-3.4	0	0							
REF. NO. IC8158											
MODE	1	2	3	4	5	6	7	8	9	10	
EJECT	4.9	0	2.5	2.5	0.4	4.7	0	0.4	4.9	2.8	
REC	4.9	0	2.5	2.5	0.4	4.7	0	0.4	4.9	2.7	
REF. NO. IC8158											
MODE	11	12	13	14							
EJECT	2.5	2.9	2.8	5.1							
REC	2.5	2.8	2.7	5.1							
REF. NO. IC8160											
MODE	1	2	3	4	5	6	7	8	9	10	
EJECT	0	0	0	0	0	0	0.4	1.6	0.4	5.1	3.5
REC	0	0	0	0	0	0	0.4	1.6	0.4	5.1	3.5
REF. NO. IC8160											
MODE	11	12	13	14	15	16	17	18	19	20	
EJECT	2.1	0	5.1	5.1	0	0	4.3	0	0	0	
REC	2.1	0	5.1	5.1	0	0	4.3	0	0	0	
REF. NO. IC8160											
MODE	21	22	23	24	25	26	27	28	29	30	
EJECT	0	0	2.7	5.1	3.8	1.5	5.1	1.5	5.1	1.5	
REC	0	0	2.8	5.1	3.7	1.5	5.1	1.5	5.1	1.5	
REF. NO. IC8160											
MODE	31	32	33	34	35	36	37	38	39	40	
EJECT	0.2	5.1	0	5.1	0	5.1	0	0	0	0	
REC	0.2	5.1	0	5.1	0	5.1	0	0	0	0	
REF. NO. IC8160											
MODE	41	42	43	44	45	46	47	48			
EJECT	0	5.1	0	0	0.1	0	1.4	3.9			
REC	0	5.1	0	0	0.1	0.1	1.5	3.7			

(6) AFCLK

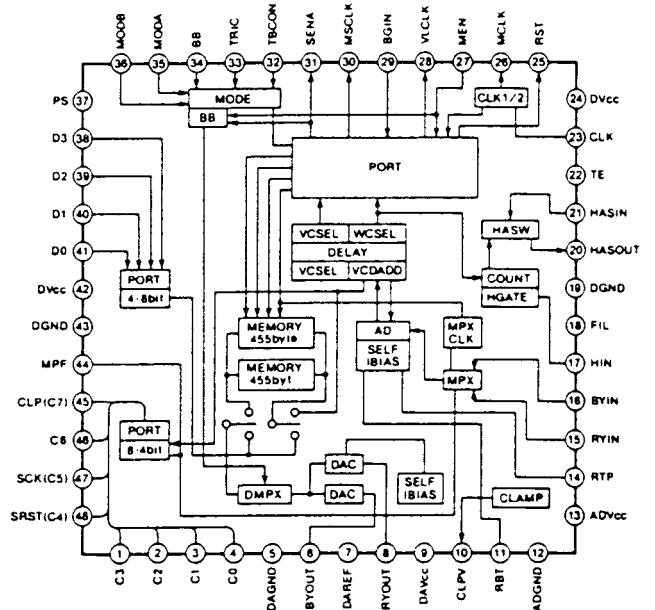
(6) VSETL  
(6) YHL  
(1) YMSCLK  
(6) YRST\_L

(5) CPBSYNC\_L

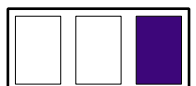
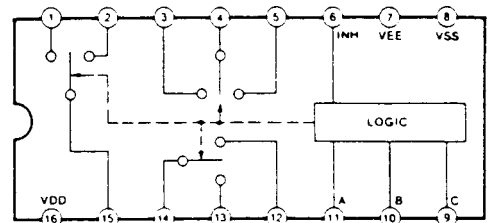
(4) YCPH

REF. NO. IC8161										
MODE	1	2	3	4	5	6	7	8	9	10
EJECT	0	4.3	5.1	4.3	0.2	4.9	1.2	0	0.3	5.1
REC	0	4.3	5.1	4.3	0.2	4.9	1.2	0	0.3	5.1
REF. NO. IC8161										
MODE	11	12	13	14	15	16				
EJECT	1.5	4.3	0.2	4.9	1.0	5.1				
REC	1.7	4.3	0.2	4.9	1.0	5.1				
REF. NO. Q8151 Q8152 Q8153										
MODE	E	C	B	E	C	B	E	C	B	
EJECT	-4.7	0.7	-4.2	-5.0	-0.2	-4.6	5.1	0.1	4.7	
REC	-4.7	0.7	-4.2	-5.0	-0.2	-4.6	5.1	0.1	4.7	

## IC8160 SC371026FU

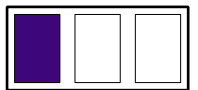
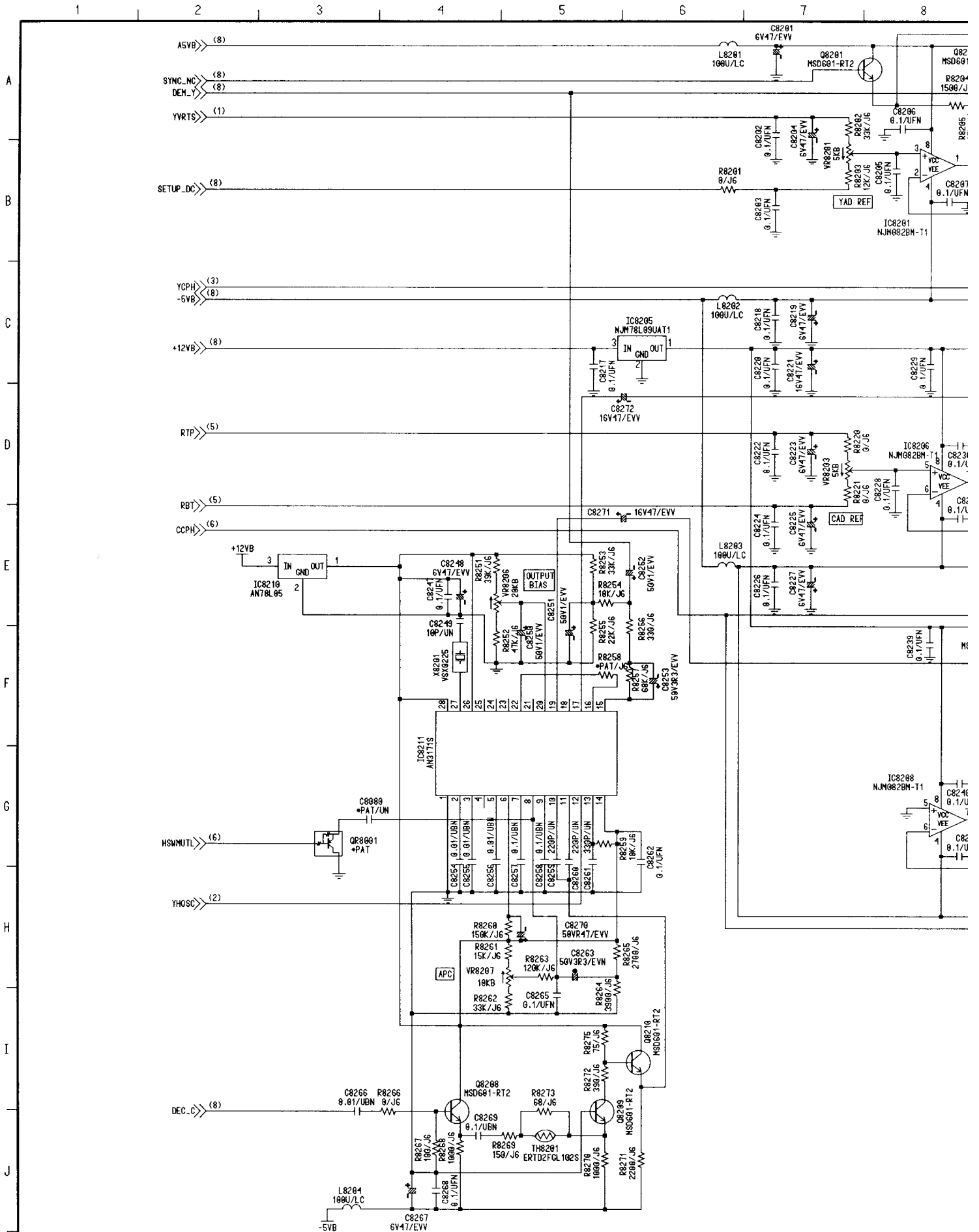


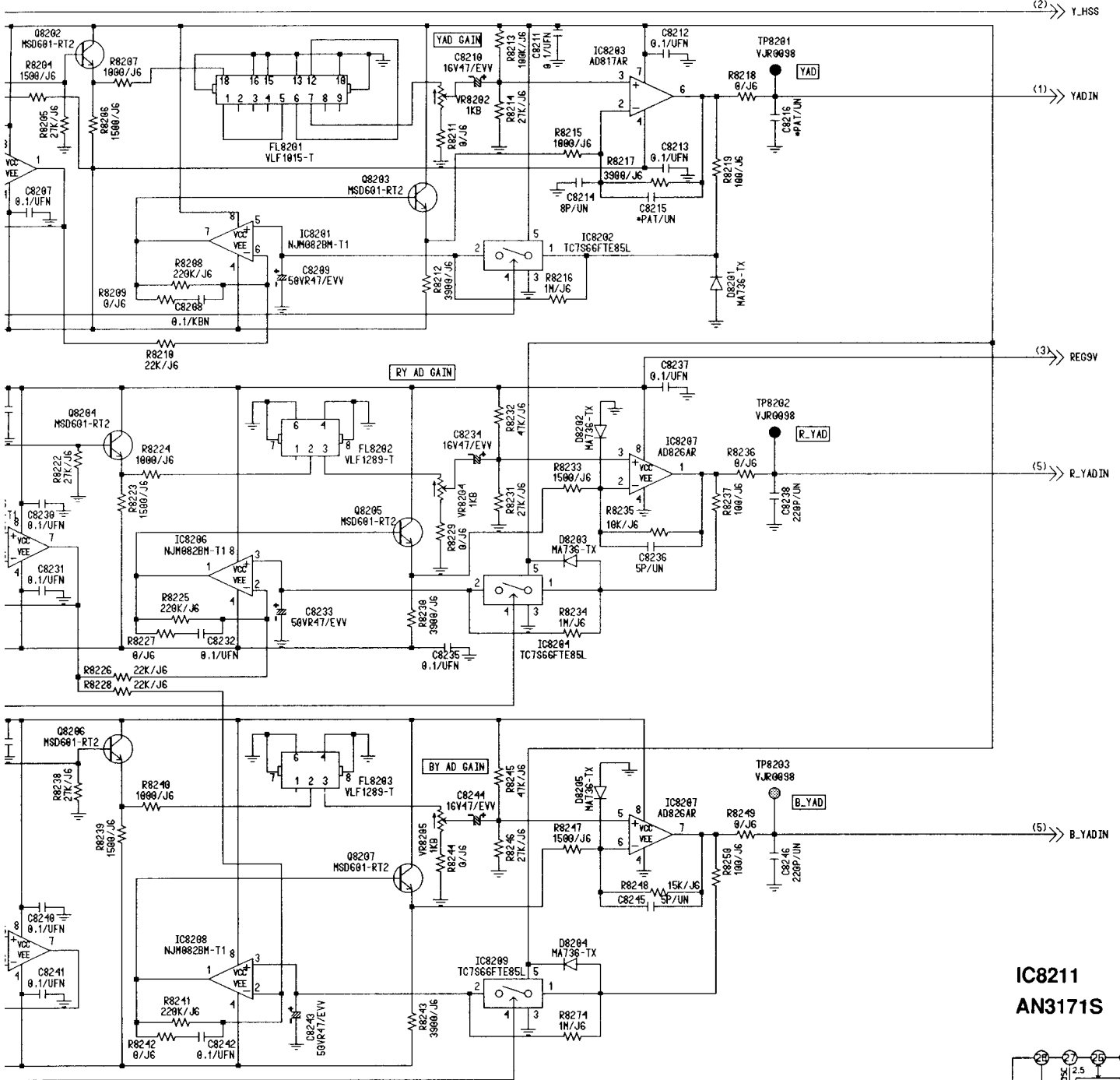
## IC8151 MC74HC4053FR



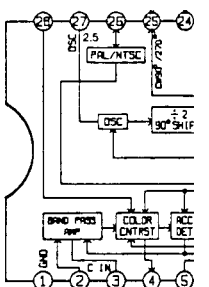


# CLAMP & AMP SCHEMATIC DIAGRAM 4/9 (E11: Page CBA-9)

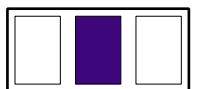


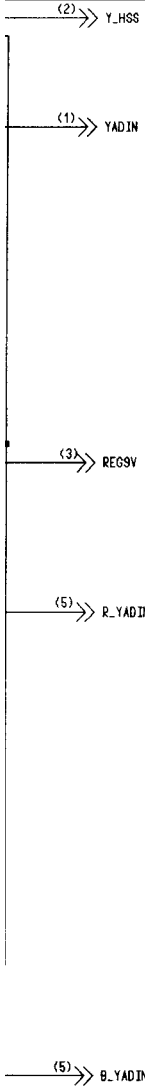


**IC8211  
AN3171S**

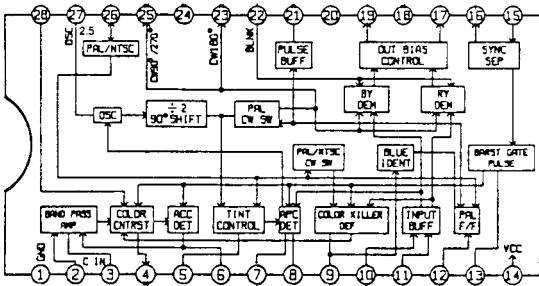


•-REFER TO THE COMPARISON CHART  
Ref No.8200 Series.



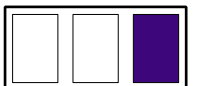


**IC8211  
AN3171S**

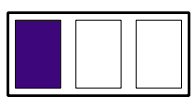
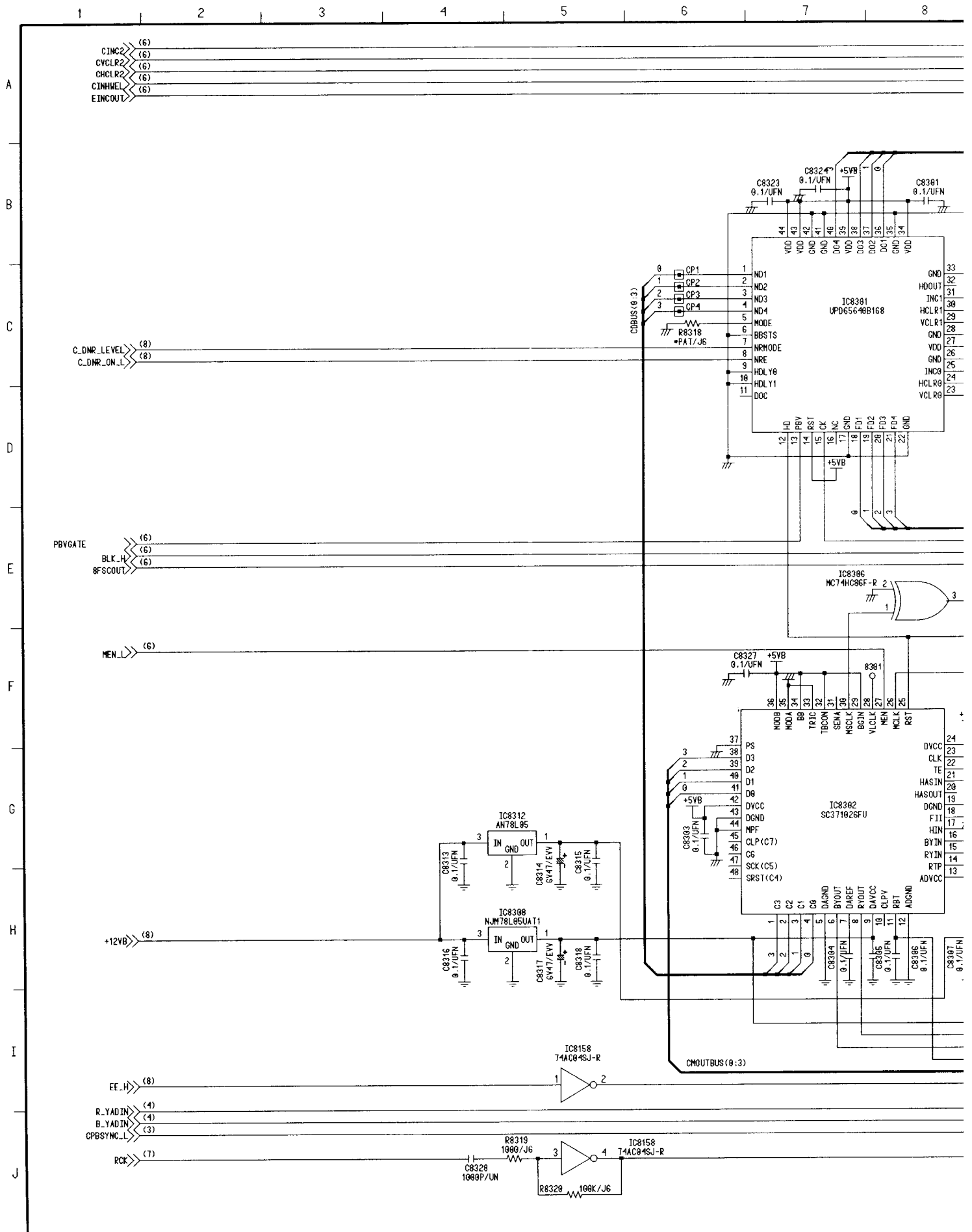


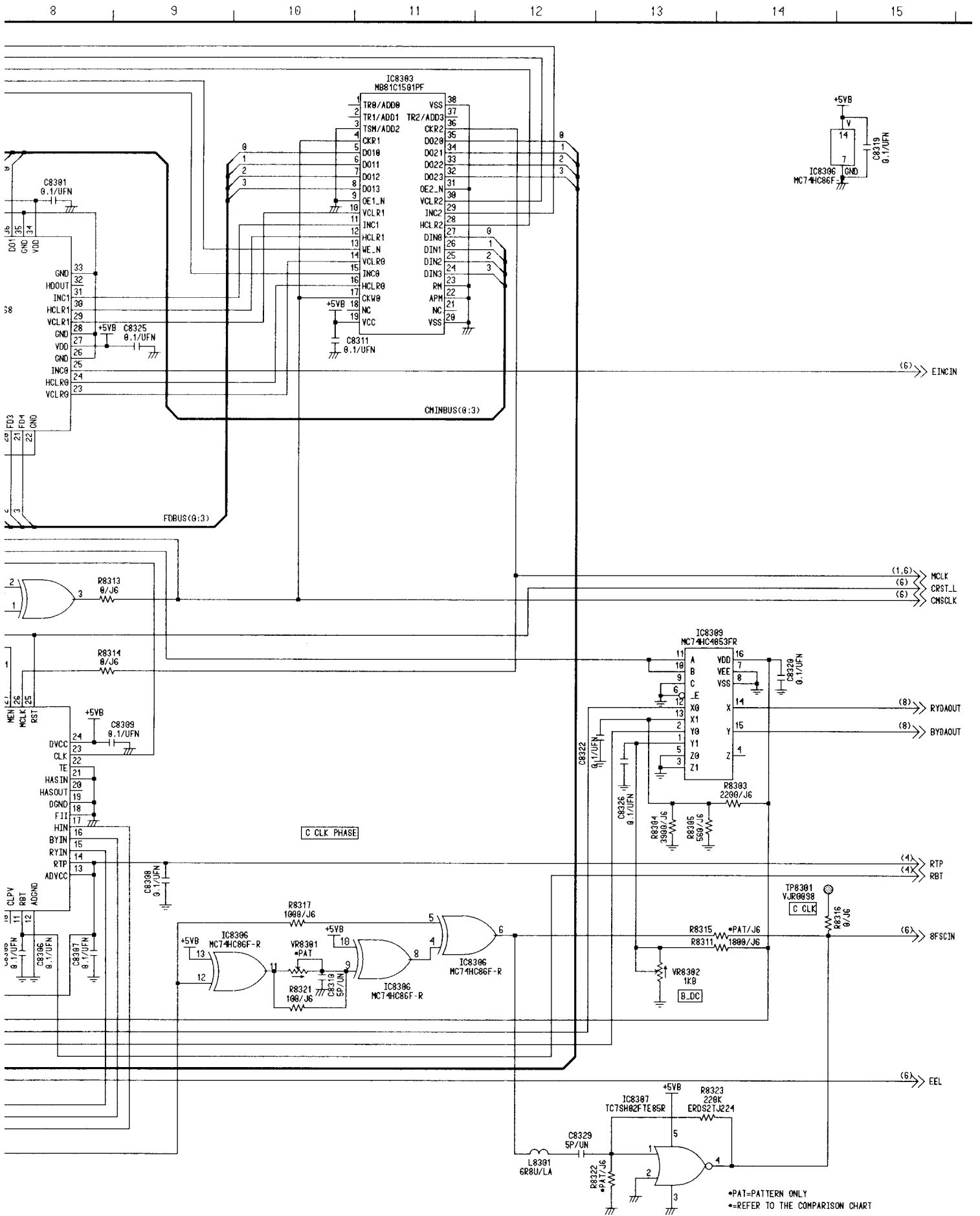
**CLAMP & AMP DC VOLTAGE CHART**

REF. NO.	IC8201									
MODE	1	2	3	4	5	6	7	8		
EJECT	0.7	0.7	0.7	-4.9	0.8	0.8	1.5	4.9		
REC	0.7	0.7	0.7	-4.9	0.8	0.8	1.5	4.8		
REF. NO.	IC8202									
MODE	1	2	3	4	5					
EJECT	1.2	0.8	0	0.2	4.9					
REC	1.2	0.8	0	0.2	4.8					
REF. NO.	IC8203									
MODE	1	2	3	4	5	6	7	8		
EJECT	-4.7	1.0	1.0	-4.9	0	1.2	4.9	-4.7		
REC	-4.7	1.0	1.0	-4.9	0	1.2	4.8	-4.7		
REF. NO.	IC8204									
MODE	1	2	3	4	5					
EJECT	3.6	3.5	0	0.1	4.8					
REC	3.6	3.5	0	0.1	4.8					
REF. NO.	IC8205									
MODE	I	G	O							
EJECT	11.6	0	9.0							
REC	11.5	0	9.0							
REF. NO.	IC8206									
MODE	1	2	3	4	5	6	7	8		
EJECT	3.8	3.5	3.5	-4.9	3.5	3.5	3.5	9.0		
REC	3.8	3.5	3.5	-4.9	3.5	3.5	3.5	9.0		
REF. NO.	IC8207									
MODE	1	2	3	4	5	6	7	8		
EJECT	3.6	3.2	3.2	0	3.2	3.2	3.5	9.0		
REC	3.6	3.2	3.2	0	3.2	3.2	3.5	9.0		
REF. NO.	IC8208									
MODE	1	2	3	4	5	6	7	8		
EJECT	3.8	3.5	3.5	-4.9	0	0	0	9.0		
REC	3.8	3.5	3.5	-4.9	0	0	0	9.0		
REF. NO.	IC8209									
MODE	1	2	3	4	5					
EJECT	3.5	3.5	0	0.1	4.8					
REC	3.5	3.5	0	0.1	4.8					
REF. NO.	IC8210									
MODE	I	G	O							
EJECT	11.5	0	5.1							
REC	11.5	0	5.1							
REF. NO.	IC8211									
MODE	1	2	3	4	5	6	7	8	9	10
EJECT	0	1.1	2.6	2.7	0	4.7	3.0	3.1	4.1	3.5
REC	0	1.0	2.5	2.7	0	4.7	3.0	3.1	4.1	3.5
REF. NO.	IC8211									
MODE	11	12	13	14	15	16	17	18	19	20
EJECT	3.4	0.2	4.5	5.1	3.4	0.5	3.3	0	3.3	2.8
REC	3.5	0.2	4.5	5.1	3.4	0.5	3.3	0	3.3	2.8
REF. NO.	IC8211									
MODE	21	22	23	24	25	26	27	28		
EJECT	0	0	2.9	0	2.9	5.1	2.5	5.1		
REC	0	0	3.0	0	3.0	5.1	2.5	5.1		
REF. NO.	Q8201			Q8202			Q8203			
MODE	E	C	B	E	C	B	E	C	B	
EJECT	0.3	4.8	1.0	0.4	4.8	1.0	0.9	4.8	1.5	
REC	0.3	4.8	0.9	0.4	4.8	1.0	0.9	4.8	1.5	
REF. NO.	Q8204			Q8205			Q8206			
MODE	E	C	B	E	C	B	E	C	B	
EJECT	-0.8	9.0	-0.2	3.2	9.0	3.8	-0.8	9.0	-0.2	
REC	-0.8	9.0	-0.2	3.2	9.0	3.8	-0.8	9.0	-0.2	
REF. NO.	Q8207			Q8208			Q8209			
MODE	E	C	B	E	C	B	E	C	B	
EJECT	3.2	9.0	3.8	-0.6	5.1	0	-0.6	3.0	0	
REC	3.2	9.0	3.8	-0.7	5.1	0	-0.7	3.0	0	
REF. NO.	Q8210									
MODE	E	C	B							
EJECT	4.1	5.1	4.7							
REC	4.1	5.1	4.7							



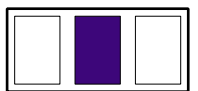
# C MEMORY SCHEMATIC DIAGRAM 5/9 (E11: Page CBA-9)





•PAT=PATTERN ONLY  
 •=REFER TO THE COMPARISON CHART

Ref No.8300 Series.

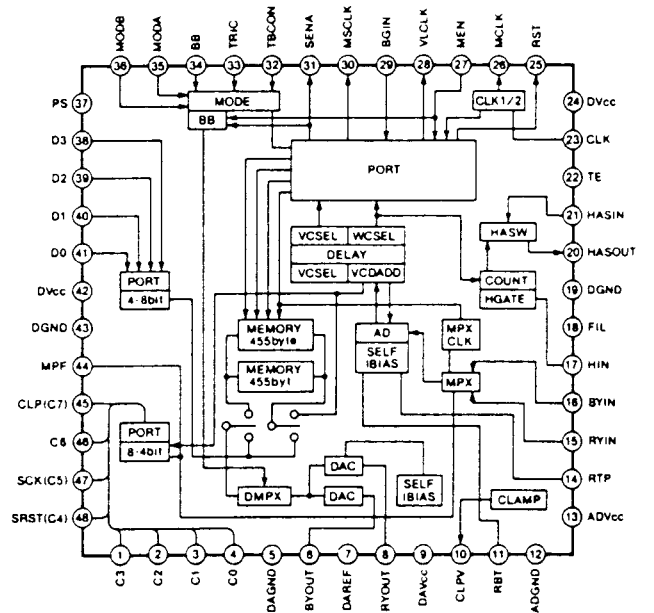


# C MEMORY DC VOLTAGE CHART

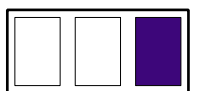
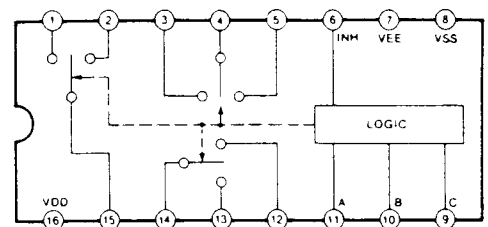
REF. NO.	IC8158									
MODE	1	2	3	4	5	6	7	8	9	10
EJECT	4.9	0	2.5	2.5	0.4	4.7	0	0.4	4.9	2.8
REC	4.9	0	2.5	2.5	0.4	4.7	0	0.4	4.9	2.7
REF. NO.	IC8158									
MODE	11	12	13	14						
EJECT	2.5	2.9	2.8	5.1						
REC	2.5	2.8	2.7	5.1						
REF. NO.	IC8301									
MODE	1	2	3	4	5	6	7	8	9	10
EJECT	2.6	2.3	1.9	1.7	5.1	0	5.2	5.2	0	0
REC	2.5	2.3	1.9	1.7	5.1	0	5.2	5.2	0	0
REF. NO.	IC8301									
MODE	11	12	13	14	15	16	17	18	19	20
EJECT	5.1	5.0	0	5.1	2.6	0	0	2.9	2.6	2.0
REC	5.1	5.0	0	5.1	2.6	0	0	2.8	2.6	2.0
REF. NO.	IC8301									
MODE	21	22	23	24	25	26	27	28	29	30
EJECT	2.2	0	0	0	0	0	5.1	0	0	0
REC	2.1	0	0	0	0	0	5.1	0	0	0
REF. NO.	IC8301									
MODE	31	32	33	34	35	36	37	38	39	40
EJECT	0	5.1	0	5.1	0	3.1	2.8	2.3	5.1	2.5
REC	0	5.1	0	5.1	0	3.0	2.8	2.3	5.1	2.4
REF. NO.	IC8301									
MODE	41	42	43	44						
EJECT	0	0	5.1	5.1						
REC	0	0	5.1	5.1						
REF. NO.	IC8302									
MODE	1	2	3	4	5	6	7	8	9	10
EJECT	1.7	1.9	2.3	2.6	0	0.9	1.5	0.9	5.0	3.5
REC	1.7	1.9	2.3	2.4	0	0.9	1.5	0.9	5.0	3.5
REF. NO.	IC8302									
MODE	11	12	13	14	15	16	17	18	19	20
EJECT	2.2	0	5.1	5.1	3.6	3.5	4.3	0	0	0
REC	2.2	0	5.1	5.1	3.6	3.5	4.3	0	0	0
REF. NO.	IC8302									
MODE	21	22	23	24	25	26	27	28	29	30
EJECT	0	0	2.3	5.1	5.0	1.5	5.2	1.5	5.1	1.5
REC	0	0	2.4	5.1	5.0	1.5	5.2	1.5	5.1	1.5
REF. NO.	IC8302									
MODE	31	32	33	34	35	36	37	38	39	40
EJECT	0.2	5.1	0	5.1	0	5.1	0	2.2	2.0	2.6
REC	0.2	5.1	0	5.1	0	5.1	0	2.1	2.0	2.6
REF. NO.	IC8302									
MODE	41	42	43	44	45	46	47	48		
EJECT	2.9	5.1	0	0	0.1	0	1.5	4.0		
REC	2.8	5.1	0	0	0.1	0	1.5	3.8		
REF. NO.	IC8303									
MODE	1	2	3	4	5	6	7	8	9	10
EJECT	0.4	0.3	0	2.6	2.8	2.6	2.0	2.1	0	0
REC	0.4	0.3	0	2.6	2.9	2.6	1.9	2.1	0	0
REF. NO.	IC8303									
MODE	11	12	13	14	15	16	17	18	19	20
EJECT	0	0	0	0	0	0	2.6	0	5.1	0
REC	0	0	0	0	0	0	2.6	0	5.1	0
REF. NO.	IC8303									
MODE	21	22	23	24	25	26	27	28	29	30
EJECT	0	0	0	2.4	2.3	2.8	3.0	0	0	0
REC	0	0	0	2.4	2.2	2.8	3.1	0	0	0
REF. NO.	IC8303									
MODE	31	32	33	34	35	36	37	38		
EJECT	0	2.2	2.0	2.6	2.8	1.5	0.3	0		
REC	0	2.1	1.9	2.6	2.9	1.5	0.3	0		
REF. NO.	IC8306									
MODE	1	2	3	4	5	6	7	8	9	10
EJECT	1.5	0	2.6	2.4	2.5	1.9	0	2.4	2.6	5.1
REC	1.5	0	2.6	2.4	2.5	1.9	0	2.4	2.6	5.1
REF. NO.	IC8306									
MODE	11	12	13	14						
EJECT	2.6	2.6	5.1	5.1						
REC	2.7	2.6	5.1	5.1						
REF. NO.	IC8307									
MODE	1	2	3	4	5					
EJECT	2.6	0	0	2.1	5.1					
REC	2.6	0	0	2.1	5.1					

REF. NO.	IC8308									
MODE	I	G	O							
EJECT	11.5	0	5.0							
REC	11.5	0	5.0							
REF. NO.	IC8309									
MODE	1	2	3	4	5	6	7	8	9	10
EJECT	0.9	0.9	0	0	0	0	0	0	0	1.0
REC	0.9	0.9	0	0	0	0	0	0	0	1.1
REF. NO.	IC8309									
MODE	11	12	13	14	15	16				
EJECT	1.1	0.9	0.9	0.9	0.9	5.0				
REC	1.1	0.9	0.9	0.9	0.9	5.0				
REF. NO.	IC8312									
MODE	I	G	O							
EJECT	11.5	0	5.1							
REC	11.5	0	5.1							

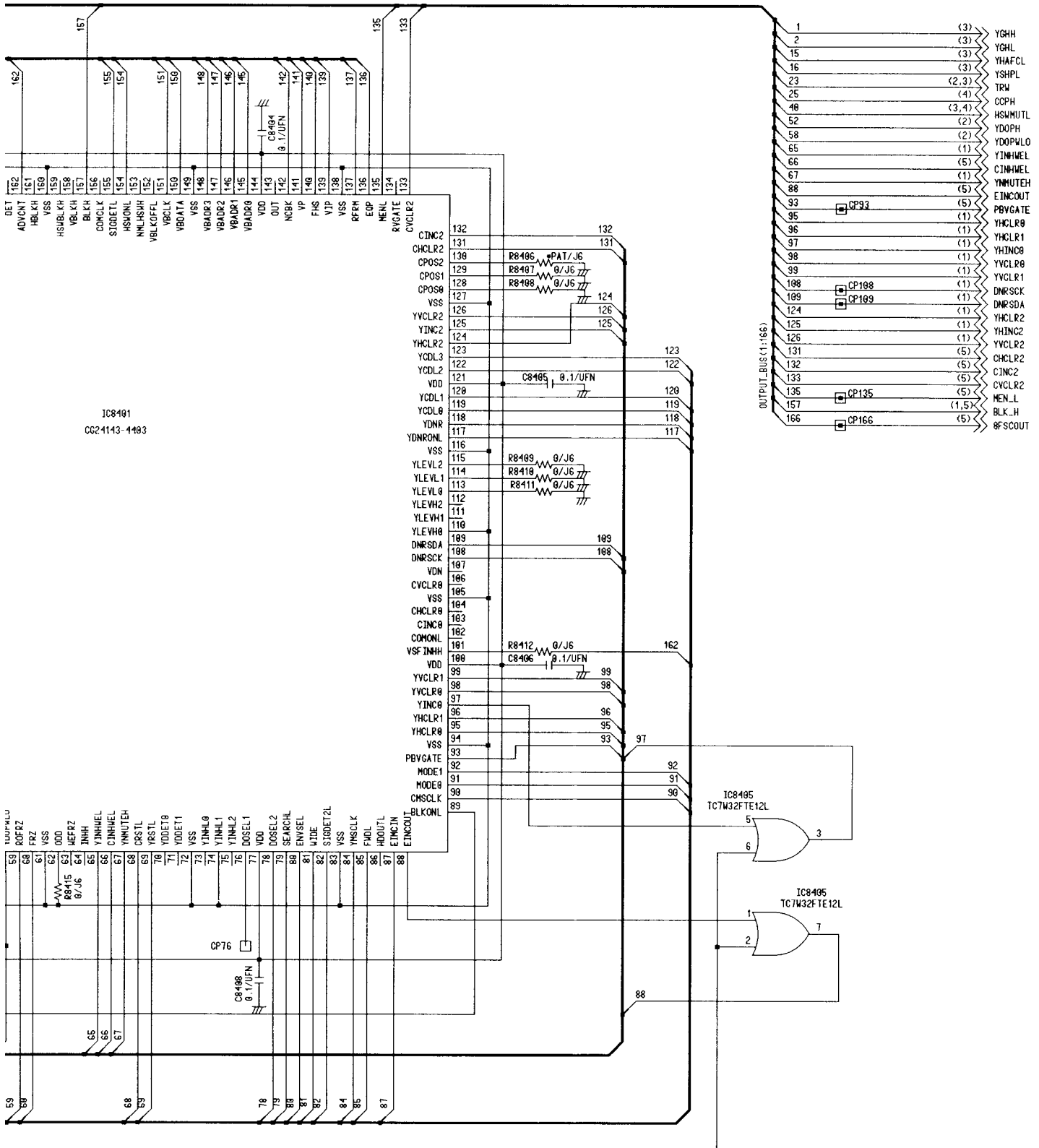
## IC8302 SC371026FU



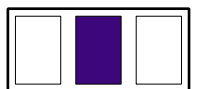
## IC8309 MC74HC4053FR







==REFER TO THE COMPARISON CHART  
 Ref No.8400 Series.

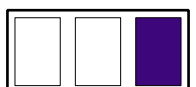




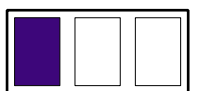
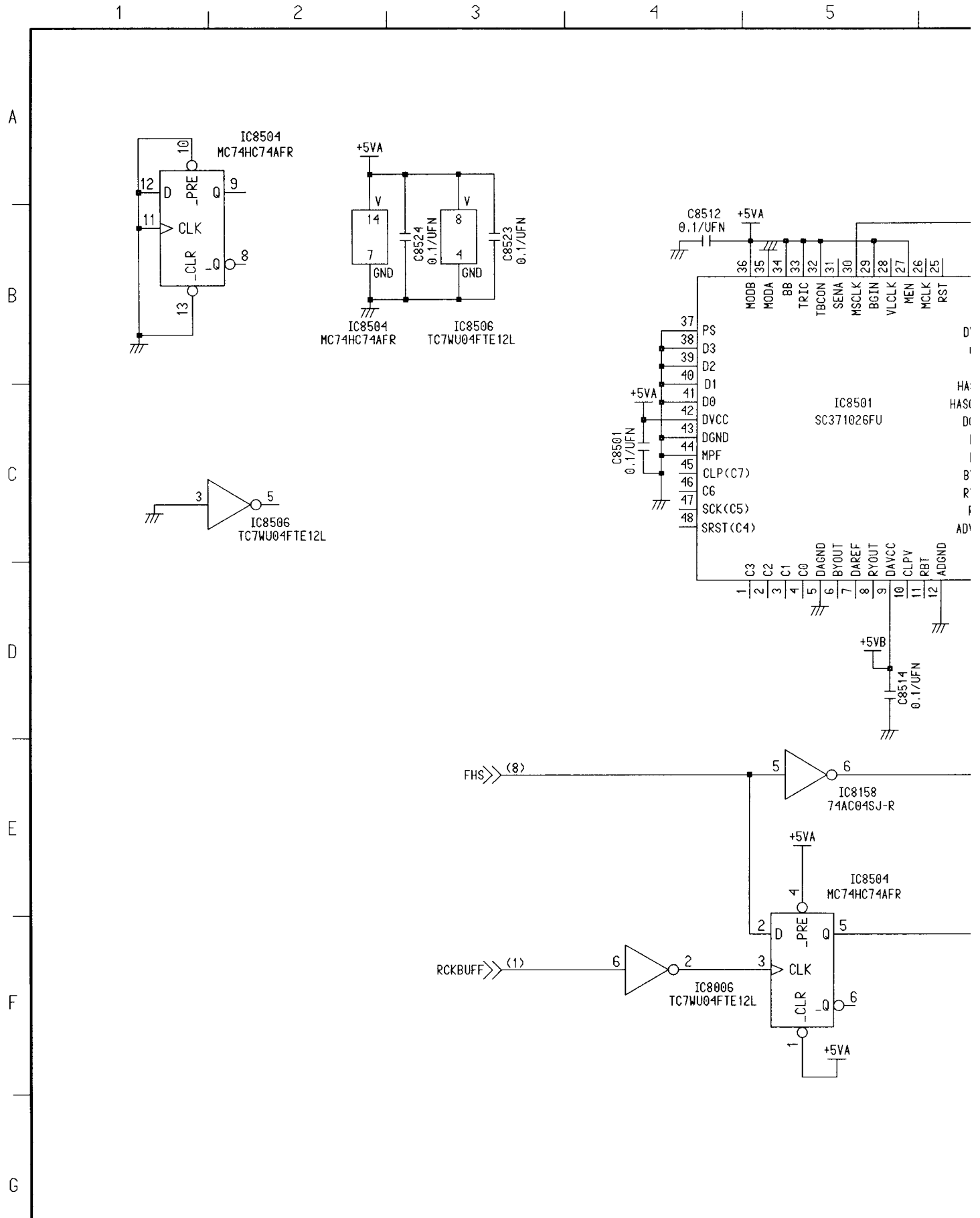
# G.A. BLOCK DC VOLTAGE CHART

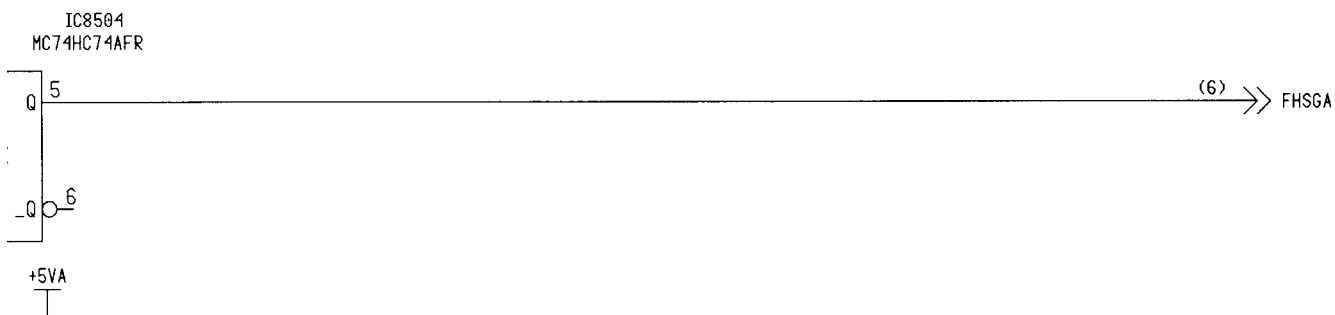
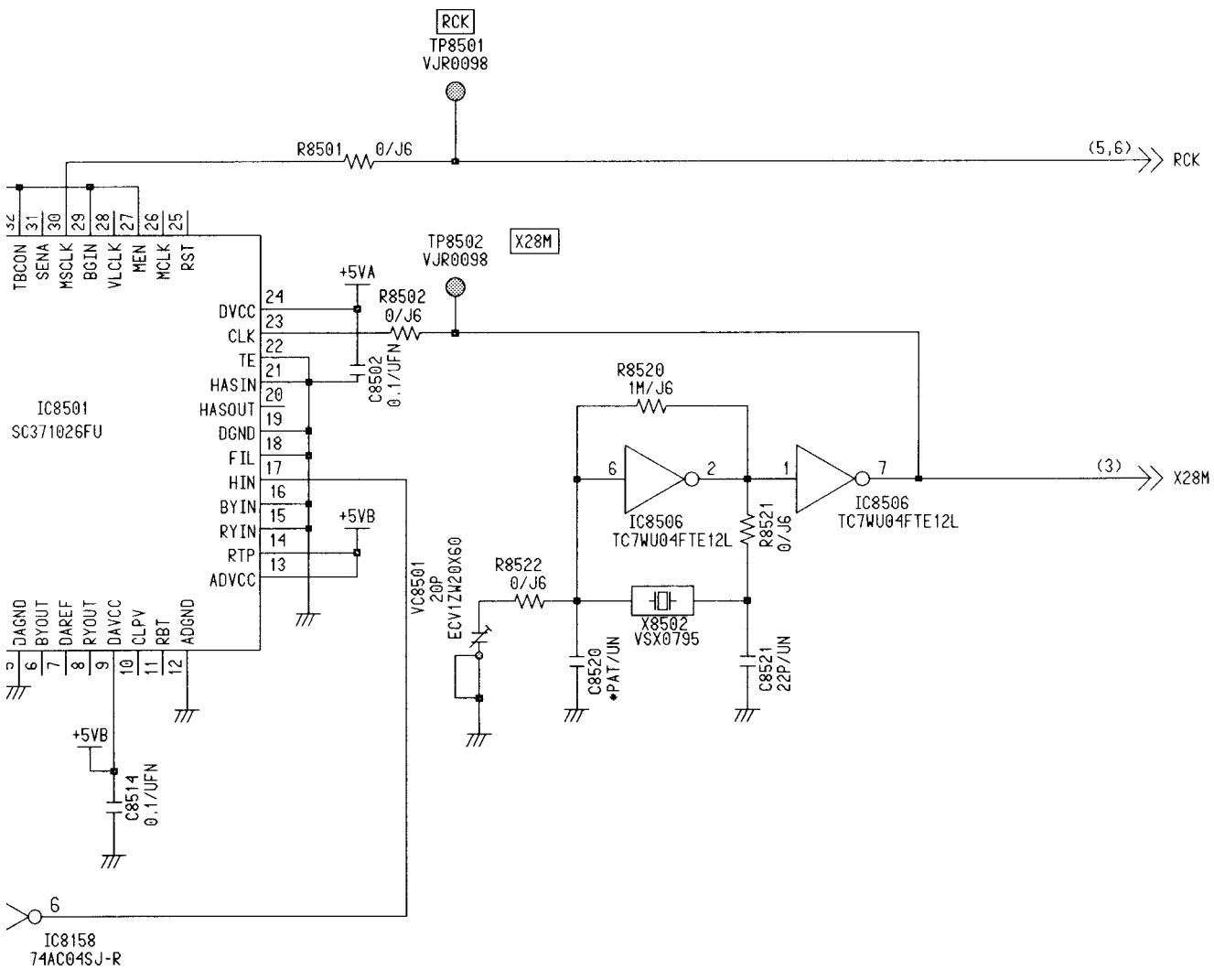
REF. NO.	IC8401									
MODE	1	2	3	4	5	6	7	8	9	10
EJECT	0.3	4.9	0.1	5.2	2.7	0	5.1	5.1	5.2	5.2
REC	0.3	4.8	0.1	5.2	2.6	0	5.1	5.1	5.1	5.1
REF. NO.	IC8401									
MODE	11	12	13	14	15	16	17	18	19	20
EJECT	4.2	5.2	4.5	0	5.1	5.1	0	1.8	0	0
REC	4.3	5.2	4.5	0	5.1	5.1	0	1.7	0	0
REF. NO.	IC8401									
MODE	21	22	23	24	25	26	27	28	29	30
EJECT	5.1	0.2	2.6	0.1	0.1	0.4	2.6	0	4.7	4.7
REC	5.1	0.2	2.6	0.1	0.1	0.4	2.6	0	4.7	5.0
REF. NO.	IC8401									
MODE	31	32	33	34	35	36	37	38	39	40
EJECT	5.2	0	5.2	5.0	5.2	5.2	0	5.2	0	5.1
REC	5.1	0	5.2	5.0	5.1	5.1	0	5.2	0	4.9
REF. NO.	IC8401									
MODE	41	42	43	44	45	46	47	48	49	50
EJECT	0	5.1	0	5.1	0	0	0	0	0	0
REC	0	5.2	0	5.1	0	0	0	0	0	0
REF. NO.	IC8401									
MODE	51	52	53	54	55	56	57	58	59	60
EJECT	5.2	0	0.1	0	5.2	5.2	5.2	5.2	0	0
REC	5.2	0	0.1	0	5.1	5.2	5.2	5.2	0	0
REF. NO.	IC8401									
MODE	61	62	63	64	65	66	67	68	69	70
EJECT	0	0	0	0	0	0	0	5.0	3.7	0
REC	0	0	0	0	0	0	0	0	3.6	0
REF. NO.	IC8401									
MODE	71	72	73	74	75	76	77	78	79	80
EJECT	0	0	0	0	5.2	0	5.2	5.1	5.2	5.1
REC	0	0	5.1	0	0	0	5.2	5.1	5.2	0
REF. NO.	IC8401									
MODE	81	82	83	84	85	86	87	88	89	90
EJECT	5.2	0	0	2.4	5.2	5.2	0	0	5.2	2.5
REC	0	0	0	2.4	0	5.1	0	0	5.2	2.6
REF. NO.	IC8401									
MODE	91	92	93	94	95	96	97	98	99	100
EJECT	0	0	0	0	0	0	0	0	0	5.2
REC	0	0	0	0	0	0	0	0	0	5.2
REF. NO.	IC8401									
MODE	101	102	103	104	105	106	107	108	109	110
EJECT	0	5.2	0	0	0	0	5.2	0	0	0
REC	0	5.2	0	0	0	0	5.2	0	0	0
REF. NO.	IC8401									
MODE	111	112	113	114	115	116	117	118	119	120
EJECT	5.2	5.2	0	0	0	0	5.2	5.2	0.1	0.1
REC	0	5.2	5.2	0.1	0.1	5.2	0.1	5.2	0	0
REF. NO.	IC8401									
MODE	121	122	123	124	125	126	127	128	129	130
EJECT	5.2	0.1	5.2	0	0	0	0	0	0	5.2
REC	0	0.1	5.2	0	0	0	0	0	0	5.2
REF. NO.	IC8401									
MODE	131	132	133	134	135	136	137	138	139	140
EJECT	0	0	0	0	5.2	0.4	5.1	0	0	0.4
REC	0	0	0	0	5.1	0.4	5.1	0	0	0.4
REF. NO.	IC8401									
MODE	141	142	143	144	145	146	147	148	149	150
EJECT	0	1.1	0	5.2	5.1	5.1	5.1	5.1	0	0
REC	0	1.1	0	5.2	5.1	5.1	5.1	5.1	0	0
REF. NO.	IC8401									
MODE	151	152	153	154	155	156	157	158	159	160
EJECT	0	5.2	5.2	0.1	0	0	1.1	0	0	0
REC	0	5.1	5.1	0.1	0	0	1.1	0	0	0
REF. NO.	IC8401									
MODE	161	162	163	164	165	166	167	168	169	170
EJECT	1.1	0	5.2	2.2	5.2	2.3	2.6	1.5	1.5	5.2
REC	1.1	0	5.2	2.1	5.2	2.2	2.6	1.5	1.5	5.1
REF. NO.	IC8401									
MODE	171	172	173	174	175	176				
EJECT	0	5.2	1.5	5.2	2.6	0.3				
REC	0	5.1	1.5	5.1	2.6	0.3				
REF. NO.	IC8402									
MODE	1	2	3	4	5					
EJECT	4.9	0	0	5.2	5.2					
REC	4.9	0	0	5.2	5.2					

REF. NO.	IC8403									
MODE	1	2	3	4	5					
EJECT	5.1	5.2	0	5.0	5.2					
REC	5.1	5.2	0	5.0	5.2					
REF. NO.	IC8404									
MODE	1	2	3	4	5	6	7	8	9	10
EJECT	1.2	0.7	0.7	4.5	0.1	5.2	0.6	0	0	0
REC	1.2	0.8	0.8	4.5	0.1	5.2	0.6	0	0	0
REF. NO.	IC8404									
MODE	11	12	13	14	15	16				
EJECT	0	4.4	0.1	5.2	0.3	5.2				
REC	0	4.4	0.1	5.2	0.3	5.2				
REF. NO.	IC8405									
MODE	1	2	3	4	5	6	7	8		
EJECT	0	0.1	0	0	0	0.1	0	5.2		
REC	0	0.1	0	0	0	0.1	0	5.2		

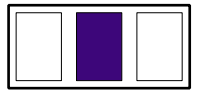


# READ CLK GEN SCHEMATIC DIAGRAM 7/9 (E11: Page CBA-9)





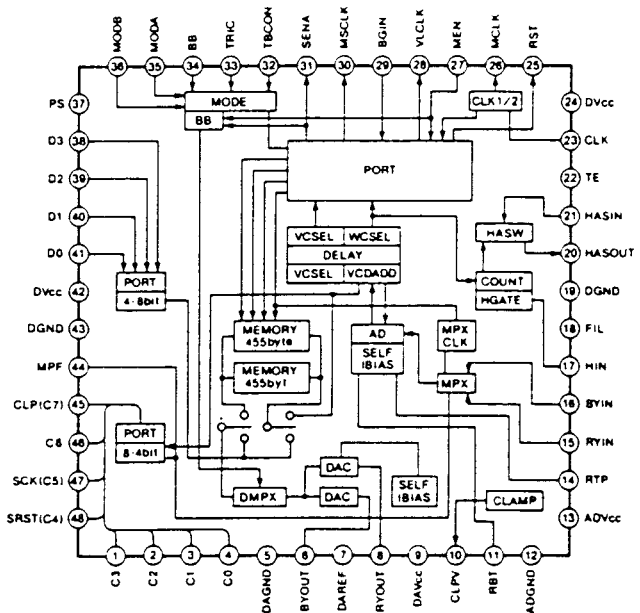
\*=REFER TO THE CO  
Ref No.8500



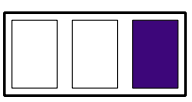
# READ CLK GEN DC VOLTAGE CHART

REF. NO.	IC8006									
MODE	1	2	3	4	5	6	7	8		
EJECT	0.2	2.5	0	0	5.2	2.6	5.2	5.2		
REC	0.2	2.5	0	0	5.2	2.7	5.2	5.2		
REF. NO.	IC8158									
MODE	1	2	3	4	5	6	7	8	9	10
EJECT	4.9	0	2.5	2.5	0.4	4.7	0	0.4	4.9	2.8
REC	4.9	0	2.5	2.5	0.4	4.7	0	0.4	4.9	2.7
REF. NO.	IC8158									
MODE	11	12	13	14						
EJECT	2.5	2.9	2.8	5.1						
REC	2.5	2.8	2.7	5.1						
REF. NO.	IC8501									
MODE	1	2	3	4	5	6	7	8	9	10
EJECT	0	0	0	0	0	0.4	1.6	0.4	5.1	3.5
REC	0	0	0	0	0	0.4	1.6	0.4	5.1	3.5
REF. NO.	IC8501									
MODE	11	12	13	14	15	16	17	18	19	20
EJECT	2.1	0	5.1	5.1	0	0	4.7	0	0	0
REC	2.1	0	5.1	5.1	0	0	4.7	0	0	0
REF. NO.	IC8501									
MODE	21	22	23	24	25	26	27	28	29	30
EJECT	0	0	2.8	5.2	3.9	1.6	5.2	1.5	5.2	1.5
REC	0	0	2.8	5.2	3.8	1.6	5.2	1.6	5.2	1.5
REF. NO.	IC8501									
MODE	31	32	33	34	35	36	37	38	39	40
EJECT	0.2	5.2	5.2	5.2	0	5.2	0	0	0	0
REC	0.2	5.2	5.2	5.2	0	5.2	0	0	0	0
REF. NO.	IC8501									
MODE	41	42	43	44	45	46	47	48		
EJECT	0	5.2	0	0	0.1	0	1.5	4.0		
REC	0	5.2	0	0	0.1	0	1.5	3.9		
REF. NO.	IC8504									
MODE	1	2	3	4	5	6	7	8	9	10
EJECT	5.2	0.4	2.5	5.2	0.4	4.8	0	5.2	5.2	0
REC	5.2	0.4	2.5	5.2	0.4	4.8	0	5.2	5.2	0
REF. NO.	IC8504									
MODE	11	12	13	14						
EJECT	0	0	0	5.2						
REC	0	0	0	5.2						
REF. NO.	IC8506									
MODE	1	2	3	4	5	6	7	8		
EJECT	2.7	2.7	0	0	5.2	2.5	2.8	5.2		
REC	2.7	2.7	0	0	5.2	2.5	2.8	5.2		

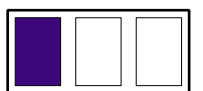
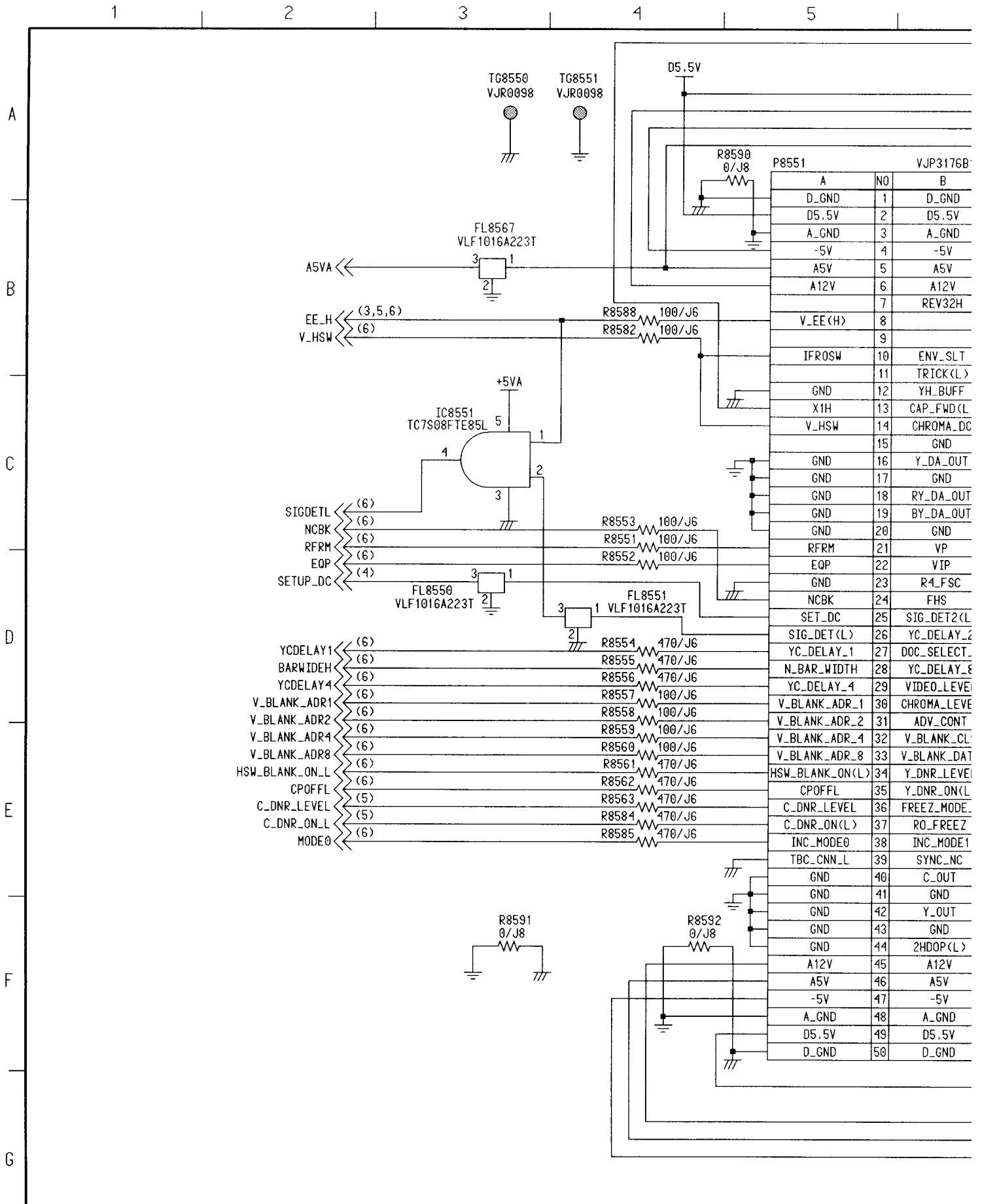
## IC8501 SC371026FU

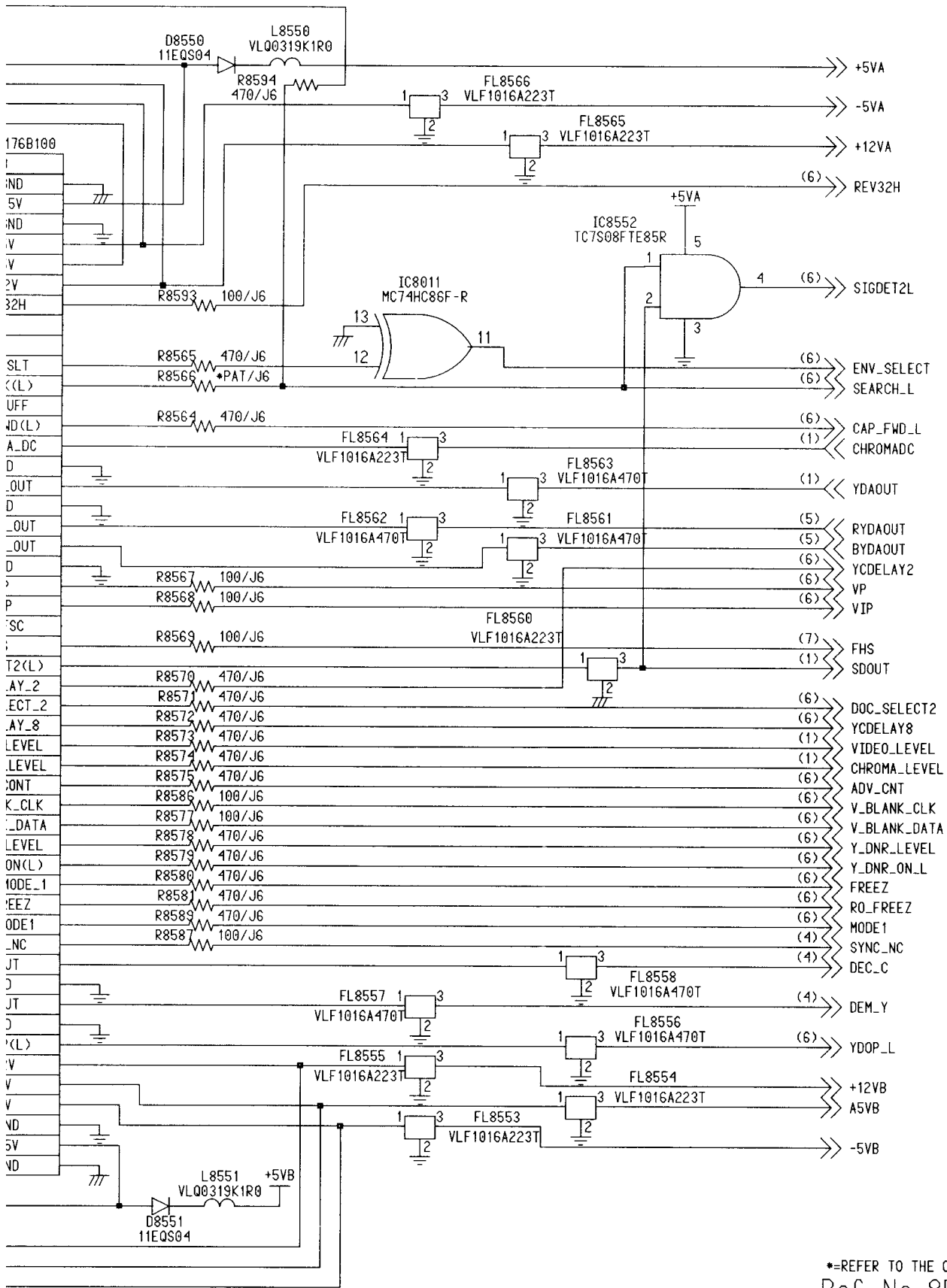


TO THE COMPARISON CHART  
8500-8549 Series.

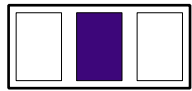


# TBC (1) CONNECTION SCHEMATIC DIAGRAM 8/9 (E11: Page CBA-9)





\*=REFER TO THE COMPARISON CHART  
Ref No.8550 Series.



## TBC (1) CONNECTION DC VOLTAGE CHART

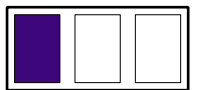
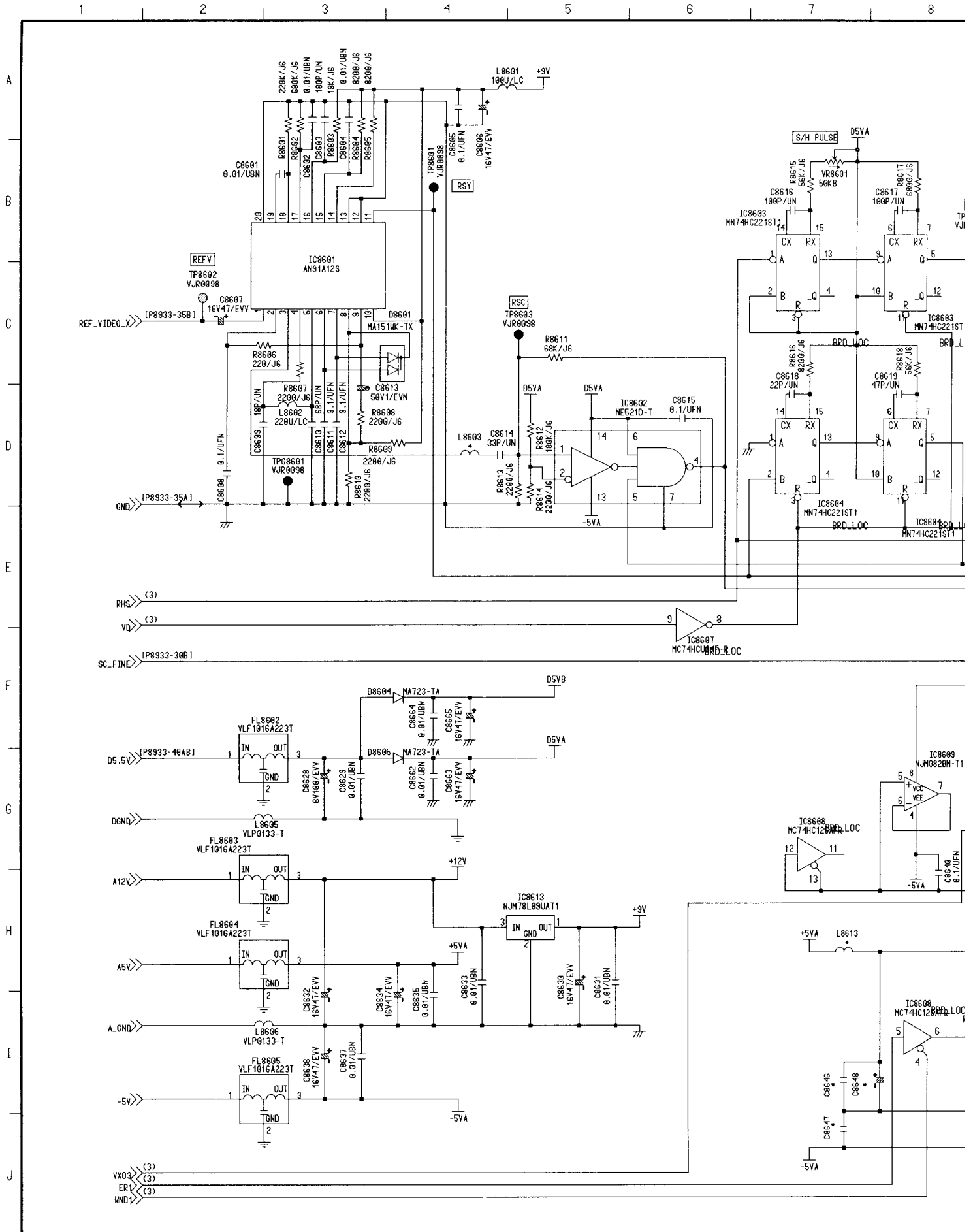
REF. NO.	IC8011									
MODE	1	2	3	4	5	6	7	8	9	10
EJECT	1.5	0	2.6	0	1.5	2.4	0	5.1	0	0
REC	1.5	0	2.6	0	1.5	2.4	0	5.1	0	5.2
REF. NO.	IC8011									
MODE	11	12	13	14						
EJECT	5.1	4.6	0	5.1						
REC	0	0.1	0	5.1						
REF. NO.	IC8551									
MODE	1	2	3	4	5					
EJECT	4.9	0	0	0	5.2					
REC	4.9	0	0	0	5.2					
REF. NO.	IC8552									
MODE	1	2	3	4	5					
EJECT	5.2	0.2	0	0	5.2					
REC	5.2	0.2	0	0	5.2					

## TBC (1) COMPARISON CHART 9/9 (E11: Page CBA-9)

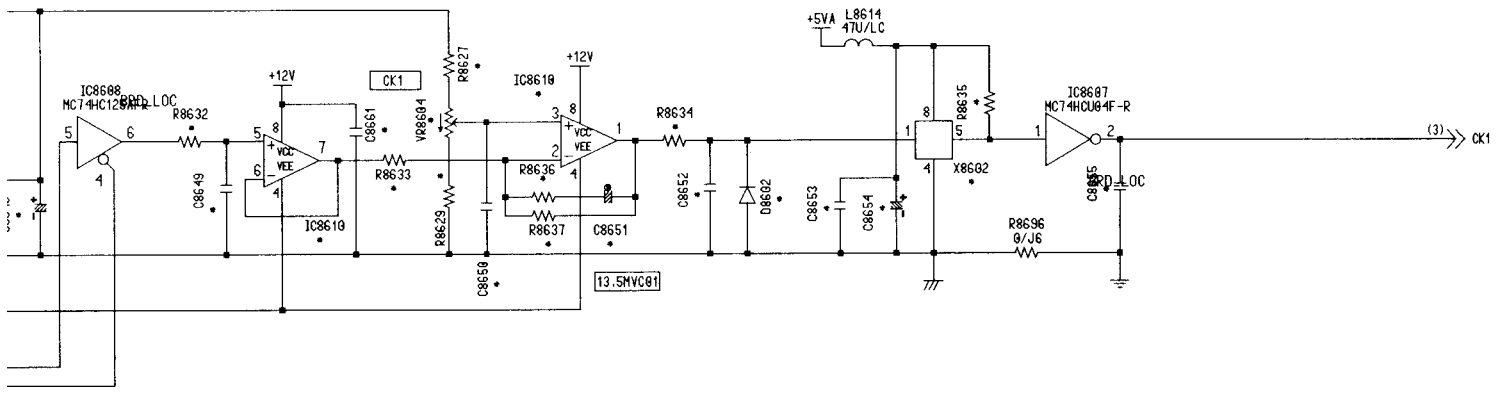
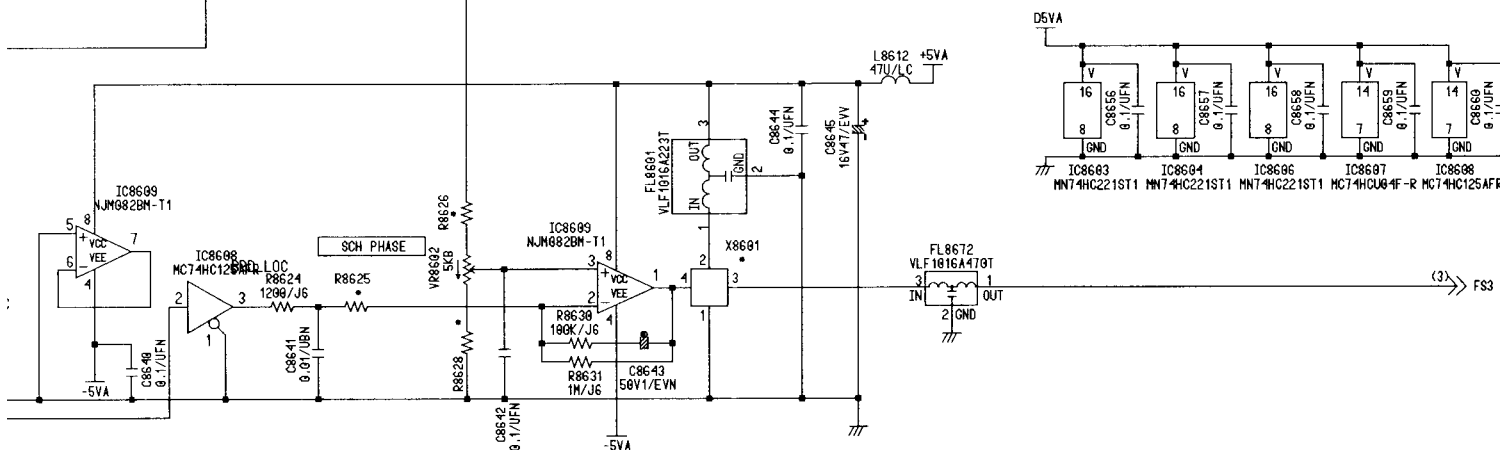
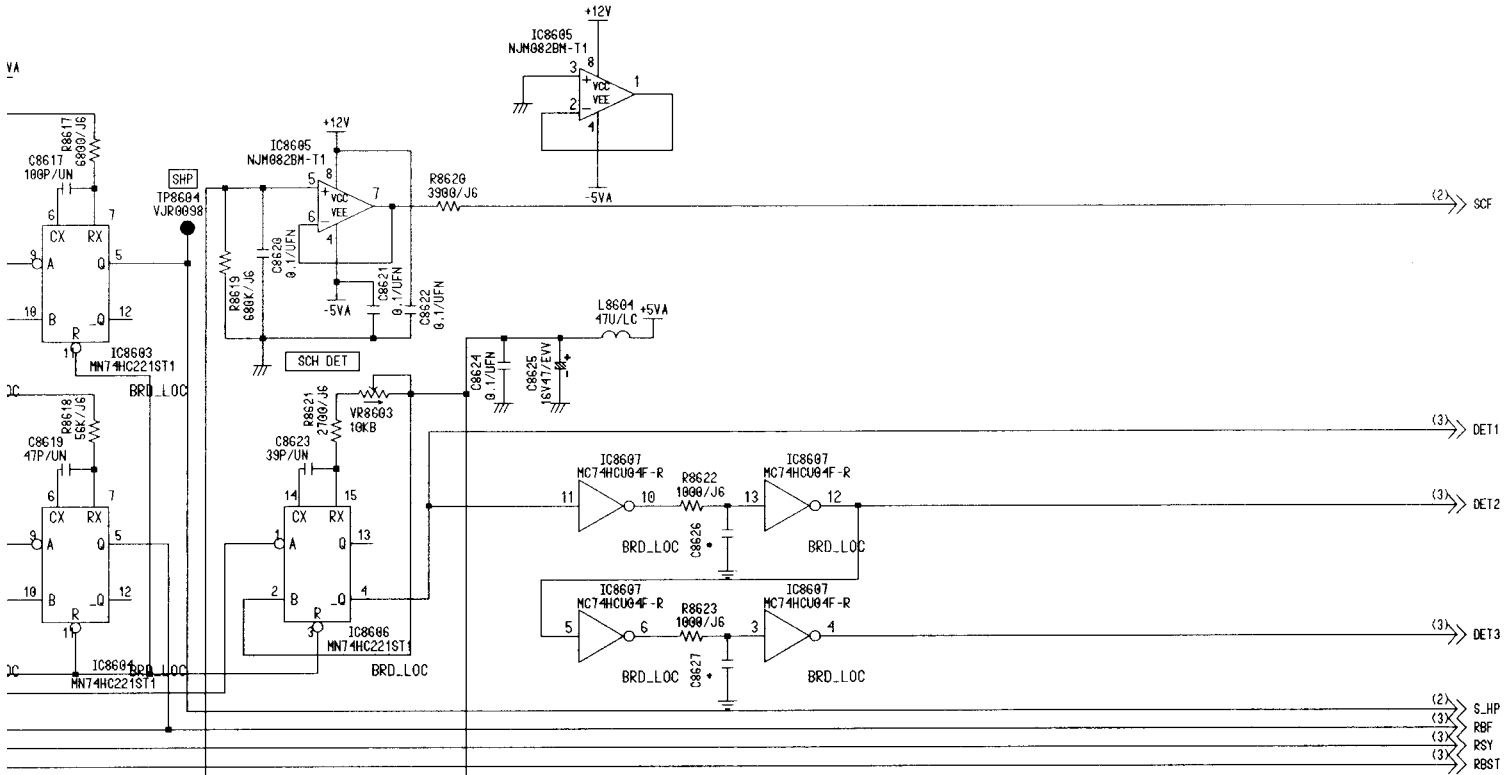
\$REF\$	AG-8700 AG-8600
C8080	*PAT/UN
C8215	*PAT/UN
C8216	*PAT/UN
C8520	*PAT/UN
D8003	*PAT
D8004	*PAT
D8005	*PAT
D8152	*PAT
IC8162	*PAT
QR8001	*PAT
R8098	*PAT/J6
R8258	*PAT/J6
R8315	*PAT/J6
R8318	*PAT/J6
R8322	*PAT/J6
R8403	*PAT/J6
R8406	*PAT/J6
R8413	*PAT/J6
R8566	*PAT/J6
VR3801	*PAT



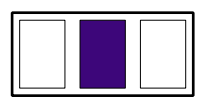
# SYNC GEN-1 SCHEMATIC DIAGRAM 1/6 (E12: Page CBA-10)







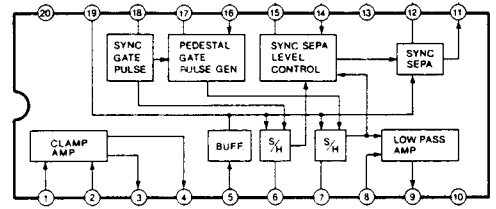
•=REFER TO THE COMPARISON CHART  
Ref No.8600 Serie:



# SYNC GEN-1 DC VOLTAGE CHART

REF. NO. IC8601										
MODE	1	2	3	4	5	6	7	8	9	10
EJECT	3.8	4.3	4.5	5.3	5.3	4.5	4.5	4.5	4.3	8.9
REC	3.8	4.3	4.6	5.3	5.3	4.6	4.6	4.6	4.3	8.0
REF. NO. IC8601										
MODE	11	12	13	14	15	16	17	18	19	20
EJECT	5.2	0	0	8.6	8.9	0.3	5.3	2.4	5.2	0
REC	5.2	0	0	8.6	8.9	0.4	5.3	2.4	5.3	0
REF. NO. IC8602										
MODE	1	2	3	4	5	6	7	8	9	10
EJECT	0.1	0.1	0	4.2	0.1	5.2	0	0.1	5.2	0
REC	0.1	0.1	0	0	0.1	5.2	0	0	5.2	0
REF. NO. IC8602										
MODE	11	12	13	14						
EJECT	-0.5	0	-5.0	5.2						
REC	-0.5	0	-5.0	5.2						
REF. NO. IC8603										
MODE	1	2	3	4	5	6	7	8	9	10
EJECT	5.2	5.2	5.2	5.2	0	0	5.2	0	0	5.2
REC	5.2	5.2	5.2	5.2	0	0	5.2	0	0	5.2
REF. NO. IC8603										
MODE	11	12	13	14	15	16				
EJECT	5.0	5.2	0	0	5.1	5.2				
REC	5.0	5.2	0	0	5.1	5.2				
REF. NO. IC8604										
MODE	1	2	3	4	5	6	7	8	9	10
EJECT	0	5.2	5.0	5.2	0.1	0	5.1	0	0	5.2
REC	0	5.2	5.0	5.2	0.1	0	5.1	0	0	5.2
REF. NO. IC8604										
MODE	11	12	13	14	15	16				
EJECT	5.0	5.2	0	0	5.2	5.2				
REC	5.0	5.2	0	0	5.2	5.2				
REF. NO. IC8605										
MODE	1	2	3	4	5	6	7	8		
EJECT	0	0	0	-5.0	0	0	0	11.6		
REC	0	0	0	-5.0	0	0	0	11.6		
REF. NO. IC8606										
MODE	1	2	3	4	5	6	7	8	9	10
EJECT	5.2	4.9	5.0	5.2	2.2	0	2.6	0	0	1.2
REC	5.2	5.0	5.0	5.2	2.3	0	2.3	0	0	1.2
REF. NO. IC8606										
MODE	11	12	13	14	15	16				
EJECT	4.9	2.5	0	0	4.9	5.2				
REC	4.9	2.5	0	0	5.0	5.2				
REF. NO. IC8607										
MODE	1	2	3	4	5	6	7	8	9	10
EJECT	2.3	2.6	0	5.2	5.2	0	0	5.0	0.1	0
REC	2.3	0	0	5.2	5.2	0	0	5.0	0.2	0
REF. NO. IC8607										
MODE	11	12	13	14						
EJECT	5.2	5.2	0	5.2						
REC	5.2	5.2	0	5.2						
REF. NO. IC8608										
MODE	1	2	3	4	5	6	7	8	9	10
EJECT	0	2.6	2.6	5.1	2.5	2.4	0	0.5	0	3.9
REC	0	2.6	2.6	5.1	2.6	2.4	0	0.6	0	3.9
REF. NO. IC8608										
MODE	11	12	13	14						
EJECT	0	0	0	5.2						
REC	0	0	0	5.2						
REF. NO. IC8609										
MODE	1	2	3	4	5	6	7	8		
EJECT	2.5	2.6	2.6	-5.0	0	0	0	4.9		
REC	2.6	2.6	2.6	-5.0	0	0	0	4.9		
REF. NO. IC8610										
MODE	1	2	3	4	5	6	7	8		
EJECT	2.4	2.4	2.4	-5.0	2.4	2.4	2.4	11.6		
REC	2.4	2.4	2.4	-5.0	2.4	2.4	2.4	11.6		
REF. NO. IC8613										
MODE	1	2	3							
EJECT	9.1	0	11.6							
REC	9.1	0	11.6							

## IC8601 AN91A12S



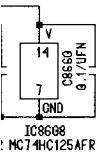
(2) SCF

(3) DET1

(3) DET2

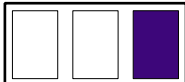
(3) DET3

(2) S\_HP  
(3) RBF  
(3) RSY  
(3) RBST

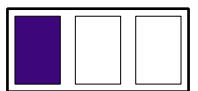
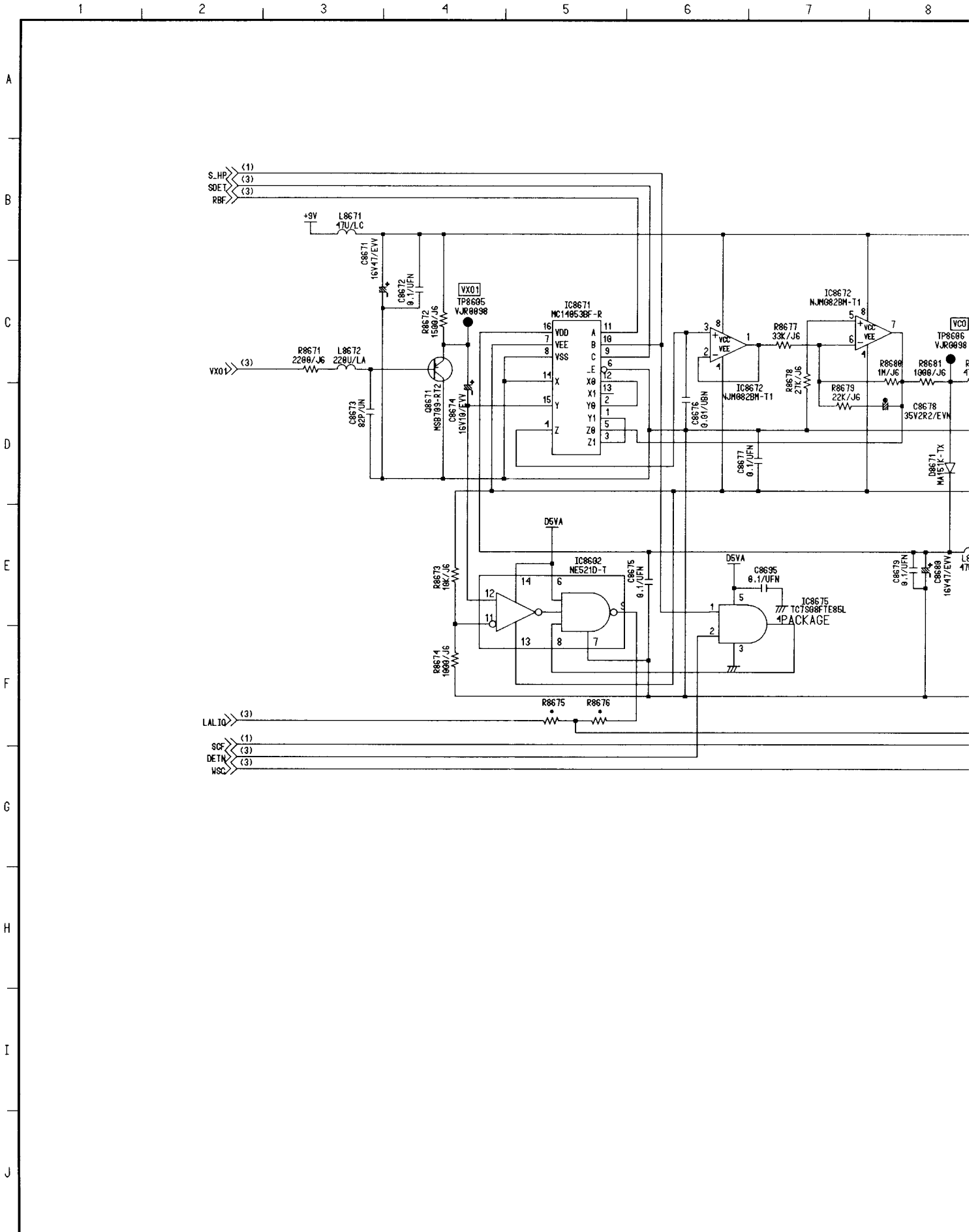


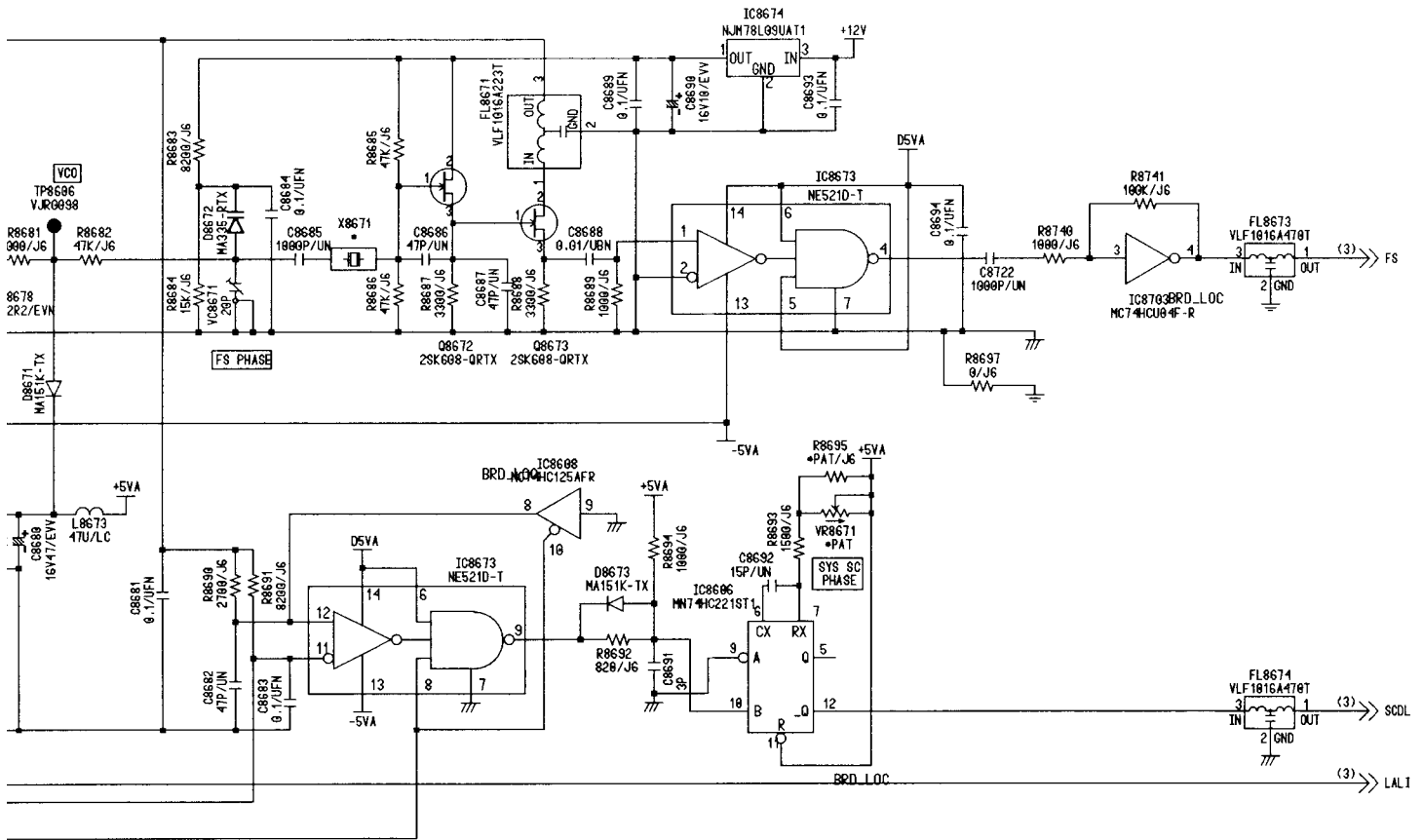
(3) FS3

(3) CK1

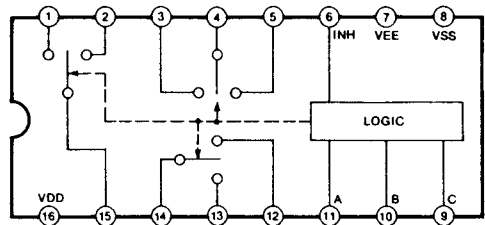


# SYNC GEN-2 SCHEMATIC DIAGRAM 2/6 (E12: Page CBA-10)

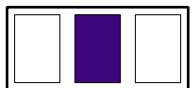




**IC8671  
MC14053BF-R**

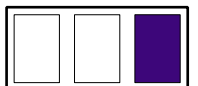


\*PAT-PATTERN ONLY  
 =REFER TO THE COMPARISON CHART  
 Ref No.8671 Series.

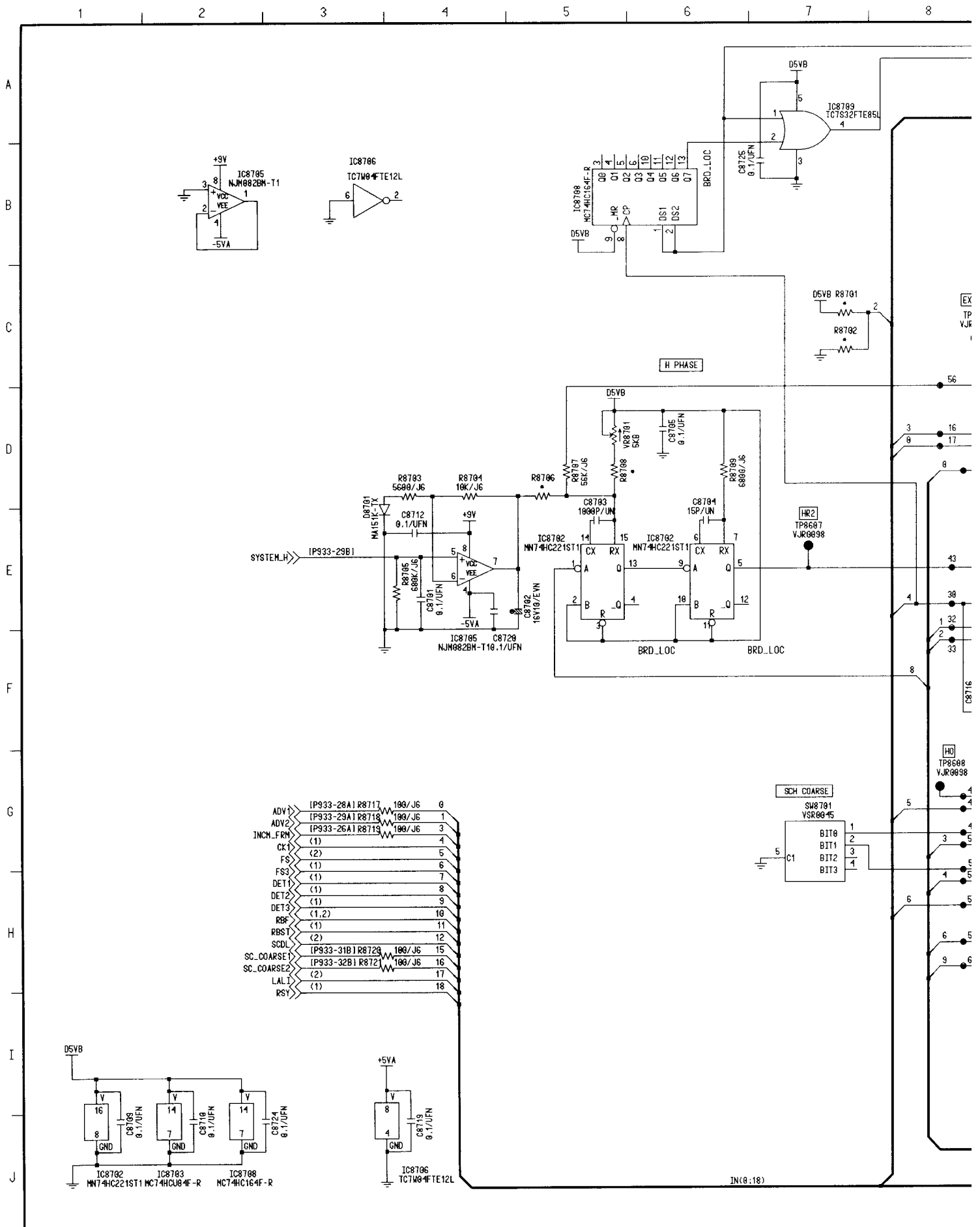


## SYNC GEN-2 DC VOLTAGE CHART

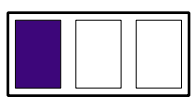
REF. NO.	IC8602										
MODE	1	2	3	4	5	6	7	8	9	10	
EJECT	0.1	0.1	0	4.2	0.1	5.2	0	0.1	5.2	0	
REC	0.1	0.1	0	0	0.1	5.2	0	0	5.2	0	
REF. NO.	IC8602										
MODE	11	12	13	14							
EJECT	-0.5	0	-5.0	5.2							
REC	-0.5	0	-5.0	5.2							
REF. NO.	IC8606										
MODE	1	2	3	4	5	6	7	8	9	10	
EJECT	5.2	4.9	5.0	5.2	2.2	0	2.6	0	0	1.2	
REC	5.2	5.0	5.0	5.2	2.3	0	2.3	0	0	1.2	
REF. NO.	IC8606										
MODE	11	12	13	14	15	16					
EJECT	4.9	2.5	0	0	4.9	5.2					
REC	4.9	2.5	0	0	5.0	5.2					
REF. NO.	IC8608										
MODE	1	2	3	4	5	6	7	8	9	10	
EJECT	0	2.6	2.6	5.1	2.5	2.4	0	0.5	0	3.9	
REC	0	2.6	2.6	5.1	2.6	2.4	0	0.6	0	3.9	
REF. NO.	IC8608										
MODE	11	12	13	14							
EJECT	0	0	0	5.2							
REC	0	0	0	5.2							
REF. NO.	IC8671										
MODE	1	2	3	4	5	6	7	8	9	10	
EJECT	0	0	0	0	0	0	-5.0	0	0	0	
REC	0	0	0	-0.1	-0.2	0	-5.0	0	0	0	
REF. NO.	IC8671										
MODE	11	12	13	14	15	16					
EJECT	0.1	0	0	0	0	4.9					
REC	0.1	0	0	0	0	4.9					
REF. NO.	IC8672										
MODE	1	2	3	4	5	6	7	8			
EJECT	0	0	0	-5.0	0	0.3	-0.2	9.0			
REC	0	0	0	-5.0	0	0.3	-0.2	9.0			
REF. NO.	IC8673										
MODE	1	2	3	4	5	6	7	8	9	10	
EJECT	0	0	0	1.5	5.2	5.2	0	3.9	1.2	0	
REC	0	0	0	1.6	5.2	5.2	0	3.9	1.2	0	
REF. NO.	IC8673										
MODE	11	12	13	14							
EJECT	2.9	0.5	-5.0	5.2							
REC	3.0	0.6	-5.0	5.2							
REF. NO.	IC8674										
MODE	1	2	3								
EJECT	9.1	0	11.6								
REC	9.1	0	11.6								
REF. NO.	IC8675										
MODE	1	2	3	4	5						
EJECT	0	0	0	0.1	5.2						
REC	0	0	0	0.1	5.2						
REF. NO.	IC8703										
MODE	1	2	3	4	5	6	7	8	9	10	
EJECT	1.1	4.1	2.5	2.5	2.6	2.6	0	5.2	5.2	2.4	
REC	1.1	4.1	2.5	2.5	2.6	2.6	0	5.2	5.2	2.3	
REF. NO.	IC8703										
MODE	11	12	13	14							
EJECT	2.6	2.5	2.6	5.2							
REC	2.6	2.5	2.6	5.2							
REF. NO.	Q8671			Q8672			Q8673				
MODE	E	C	B	G	S	D	G	S	D		
EJECT	3.3	0	2.6	4.5	4.9	9.1	4.9	8.2	9.0		
REC	3.3	0	2.6	4.5	4.9	9.1	4.9	8.2	9.0		

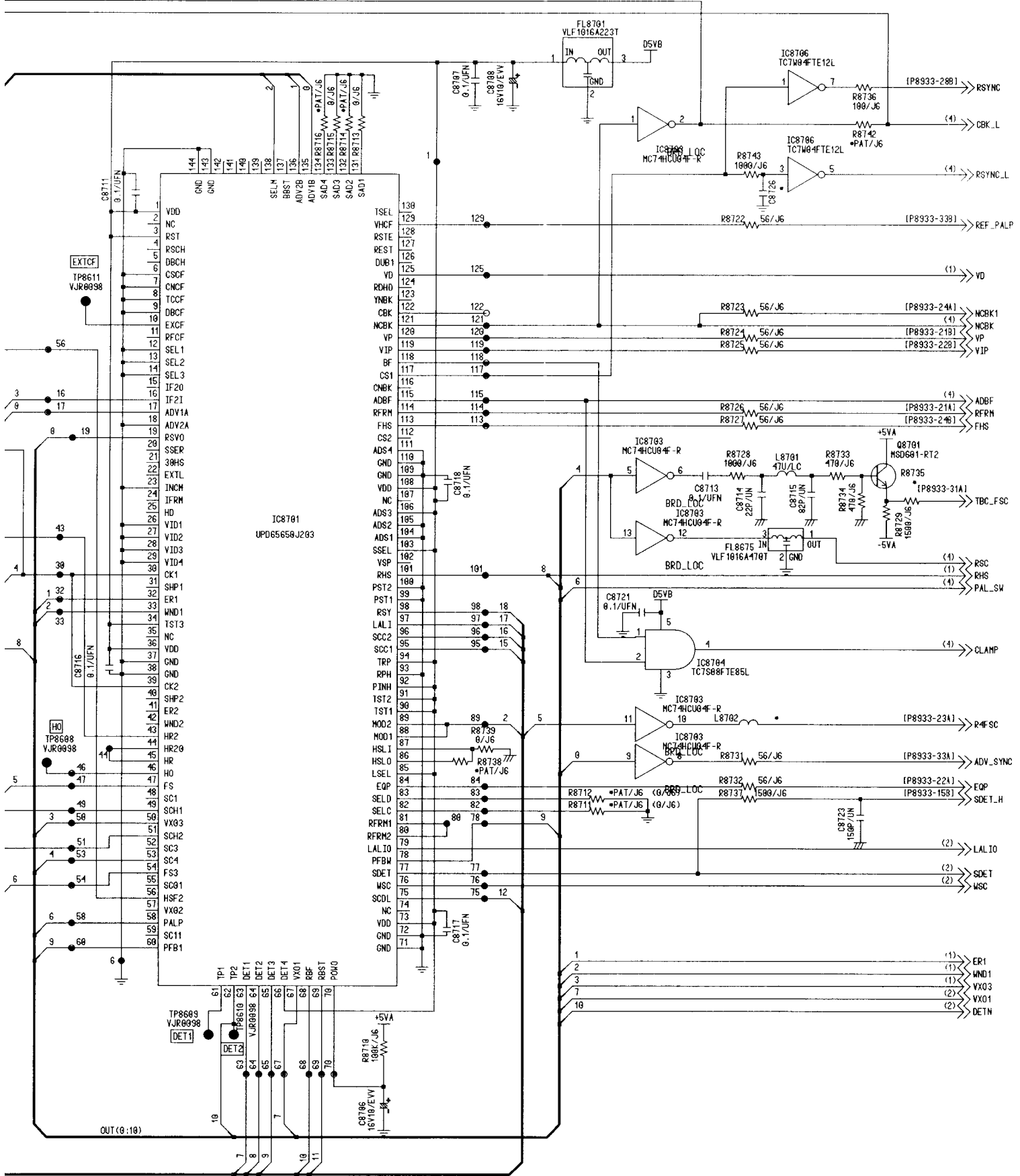


# SYNC GEN-3 SCHEMATIC DIAGRAM 3/6 (E12: Page CBA-10)

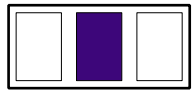


ADV1	[P933-28A] R8717	100/J6	0
ADV2	[P933-29A] R8718	100/J6	1
ADV3	[P933-26A] R8719	100/J6	3
INCH_FRN	(1)		4
CK1	(2)		5
FS	(1)		6
FS3	(1)		7
DET1	(1)		8
DET2	(1)		9
DET3	(1,2)		10
RBF	(1)		11
RBST	(2)		12
SCDL	[P933-31B] R8720	100/J6	15
SC_COARSE1	[P933-32B] R8721	100/J6	16
SC_COARSE2	(2)		17
LAL1	(1)		18
RSY			





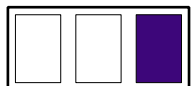
•REFER TO THE COMPARISON CHART  
 Ref No.8701 Series.



# SYNC GENE-3 DC VOLTAGE CHART

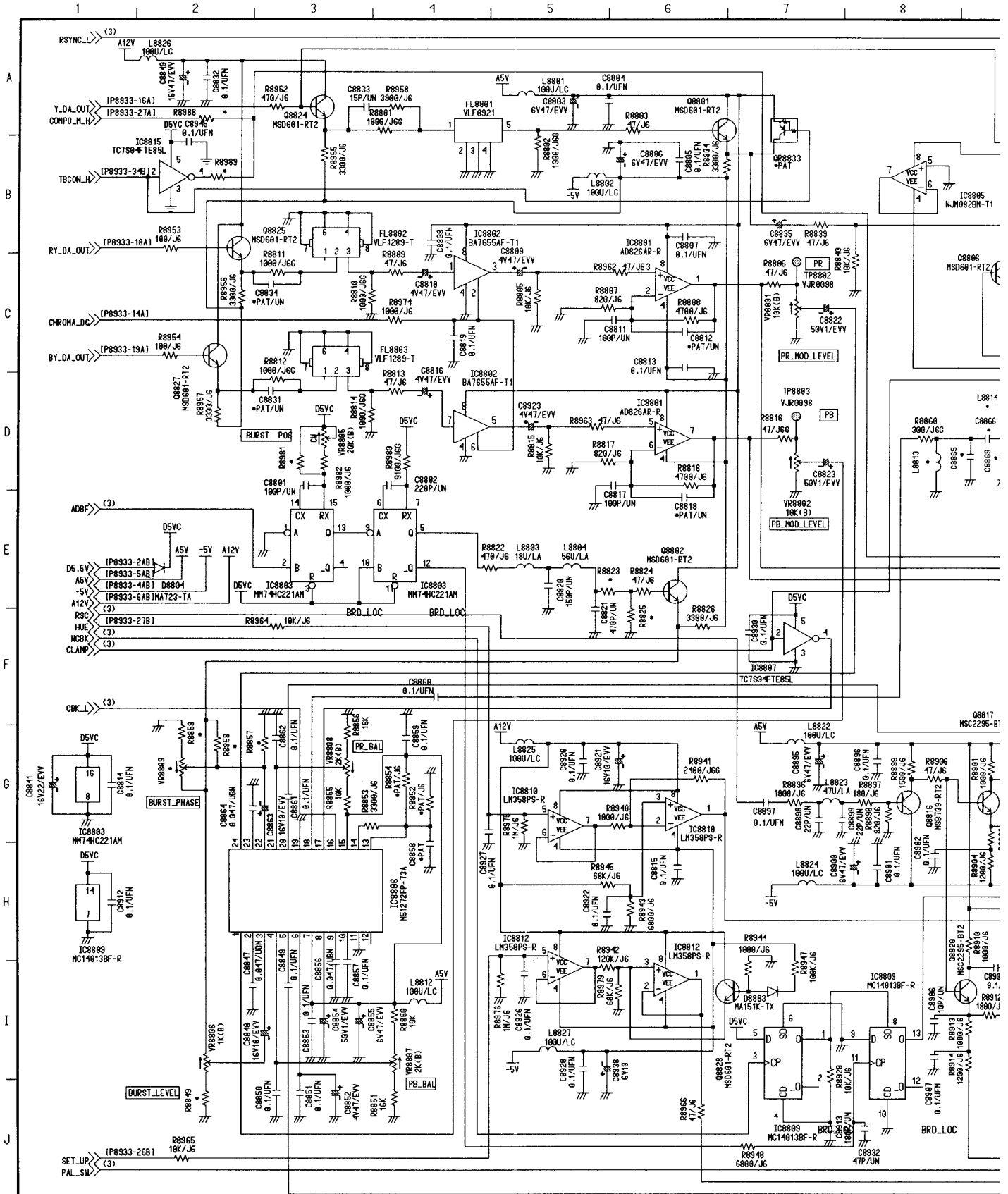
REF. NO.	IC8701									
MODE	1	2	3	4	5	6	7	8	9	10
EJECT	5.2	0	5.2	0	0	0	0	0	0	5.2
REC	5.2	0	5.2	0	0	0	0	0	0	5.2
REF. NO.	IC8701									
MODE	11	12	13	14	15	16	17	18	19	20
EJECT	5.2	0	0	0	0	5.2	5.2	0	5.2	5.2
REC	5.2	0	0	0	5.2	5.2	5.2	0.1	5.2	5.2
REF. NO.	IC8701									
MODE	21	22	23	24	25	26	27	28	29	30
EJECT	5.2	5.2	0	5.2	0.5	0	0	0	0	2.6
REC	5.2	5.2	0	5.2	0.5	0	0	0	0	2.7
REF. NO.	IC8701									
MODE	31	32	33	34	35	36	37	38	39	40
EJECT	5.1	2.5	5.1	5.2	0	5.2	0	0	2.6	5.1
REC	5.1	2.6	5.1	5.2	0	5.2	0	0	2.7	5.1
REF. NO.	IC8701									
MODE	41	42	43	44	45	46	47	48	49	50
EJECT	2.6	5.1	0	0	0	2.6	2.6	2.6	5.2	2.6
REC	2.6	5.1	0	0	0	2.7	2.6	2.6	5.2	2.6
REF. NO.	IC8701									
MODE	51	52	53	54	55	56	57	58	59	60
EJECT	5.2	2.6	2.6	2.3	2.6	5.2	2.6	2.6	5.2	0
REC	5.2	2.6	2.6	2.3	2.6	5.2	2.6	2.6	5.2	0
REF. NO.	IC8701									
MODE	61	62	63	64	65	66	67	68	69	70
EJECT	5.2	0	5.2	5.2	5.2	5.2	2.6	0.1	4.2	5.1
REC	2.6	0	5.2	5.2	5.2	5.2	2.6	0.1	4.2	5.2
REF. NO.	IC8701									
MODE	71	72	73	74	75	76	77	78	79	80
EJECT	0	0	5.2	0	2.4	3.8	0	0	5.2	0
REC	0	0	5.2	0	2.5	3.9	0	0	5.2	5.2
REF. NO.	IC8701									
MODE	81	82	83	84	85	86	87	88	89	90
EJECT	0	5.2	5.2	0.4	5.2	0	0	5.2	5.2	5.2
REC	5.2	5.2	5.2	0.4	5.2	0	0	5.2	5.2	5.2
REF. NO.	IC8701									
MODE	91	92	93	94	95	96	97	98	99	100
EJECT	5.2	5.2	0	5.2	0	0	5.2	5.2	0	0
REC	5.2	5.2	0	5.2	0.1	0.1	5.2	5.2	0	0
REF. NO.	IC8701									
MODE	101	102	103	104	105	106	107	108	109	110
EJECT	5.2	0.8	5.2	0	0	5.2	0	5.2	0	0
REC	5.2	0.8	5.2	0	0	5.2	0	5.2	0	0
REF. NO.	IC8701									
MODE	111	112	113	114	115	116	117	118	119	120
EJECT	0	0.5	0.4	5.2	0.2	1.3	0.4	0.2	0	0
REC	0	0.5	0	5.2	0.2	1.9	0.4	0.2	0	0.1
REF. NO.	IC8701									
MODE	121	122	123	124	125	126	127	128	129	130
EJECT	1.1	1.5	1.0	1.0	0.2	5.2	5.2	5.2	5.2	5.2
REC	1.1	1.4	1.7	0.3	0.2	0	0	5.2	5.2	0
REF. NO.	IC8701									
MODE	131	132	133	134	135	136	137	138	139	140
EJECT	0	5.2	0	5.2	5.2	5.2	5.2	5.2	5.2	5.2
REC	0	5.2	0	5.2	5.2	5.2	5.2	5.2	5.2	5.2
REF. NO.	IC8701									
MODE	141	142	143	144						
EJECT	5.2	5.2	0	0						
REC	5.2	5.2	0	0						
REF. NO.	IC8702									
MODE	1	2	3	4	5	6	7	8	9	10
EJECT	5.2	5.2	5.2	5.2	0	0	5.2	0	0	5.2
REC	5.2	5.2	5.2	5.2	0	0	5.2	0	0	5.2
REF. NO.	IC8702									
MODE	11	12	13	14	15	16				
EJECT	5.2	5.2	0	0	4.0	5.2				
REC	5.2	5.2	0	0	4.0	5.2				
REF. NO.	IC8703									
MODE	1	2	3	4	5	6	7	8	9	10
EJECT	1.1	4.1	2.5	2.5	2.6	2.6	0	5.2	5.2	2.4
REC	1.1	4.1	2.5	2.5	2.6	2.6	0	5.2	5.2	2.3
REF. NO.	IC8703									
MODE	11	12	13	14						
EJECT	2.6	2.5	2.6	5.2						
REC	2.6	2.5	2.6	5.2						

REF. NO.	IC8704									
MODE	1	2	3	4	5					
EJECT	0.2	0.2	0	0.1	5.2					
REC	0.2	0.2	0	0.1	5.2					
REF. NO.	IC8705									
MODE	1	2	3	4	5	6	7	8		
EJECT	0	0	0	-5.0	0	0	0	9.1		
REC	0	0	0	-5.0	0	0	0	9.1		
REF. NO.	IC8706									
MODE	1	2	3	4	5	6	7	8		
EJECT	0.4	4.9	0.4	0	4.5	0	4.5	4.9		
REC	0.4	4.9	0.4	0	4.5	0	4.6	4.9		
REF. NO.	IC8708									
MODE	1	2	3	4	5	6	7	8	9	10
EJECT	4.1	4.1	4.1	4.1	4.1	4.1	0	2.6	5.2	4.1
REC	4.1	4.1	4.1	4.1	4.1	4.1	0	2.7	5.2	4.1
REF. NO.	IC8708									
MODE	11	12	13	14						
EJECT	4.1	4.1	4.1	5.2						
REC	4.1	4.1	4.1	5.2						
REF. NO.	IC8709									
MODE	1	2	3	4	5					
EJECT	4.1	4.1	0	4.1	5.2					
REC	4.1	4.1	0	4.2	5.2					
REF. NO.	Q8701									
MODE	E	C	B							
EJECT	-0.7	4.9	0							
REC	-0.7	4.9	0							

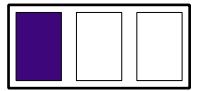


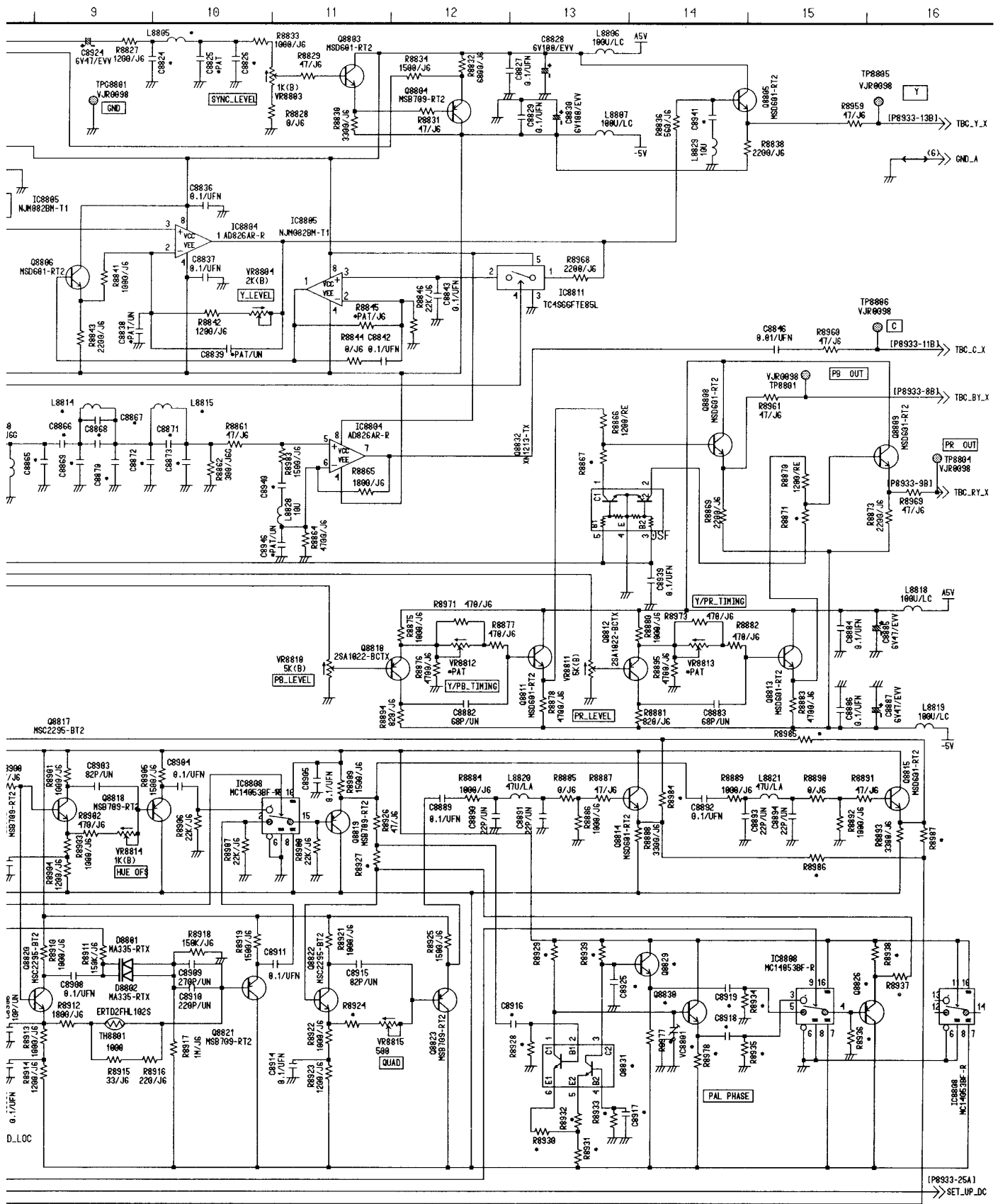


# ENCODER SCHEMATIC DIAGRAM 4/6 (E12: Page CBA-10)

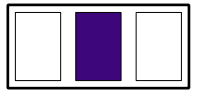


•REFER TO THE COMPARISON CHART  
Ref No.8000 Series.





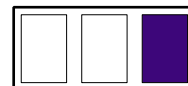
SON CHART Series.



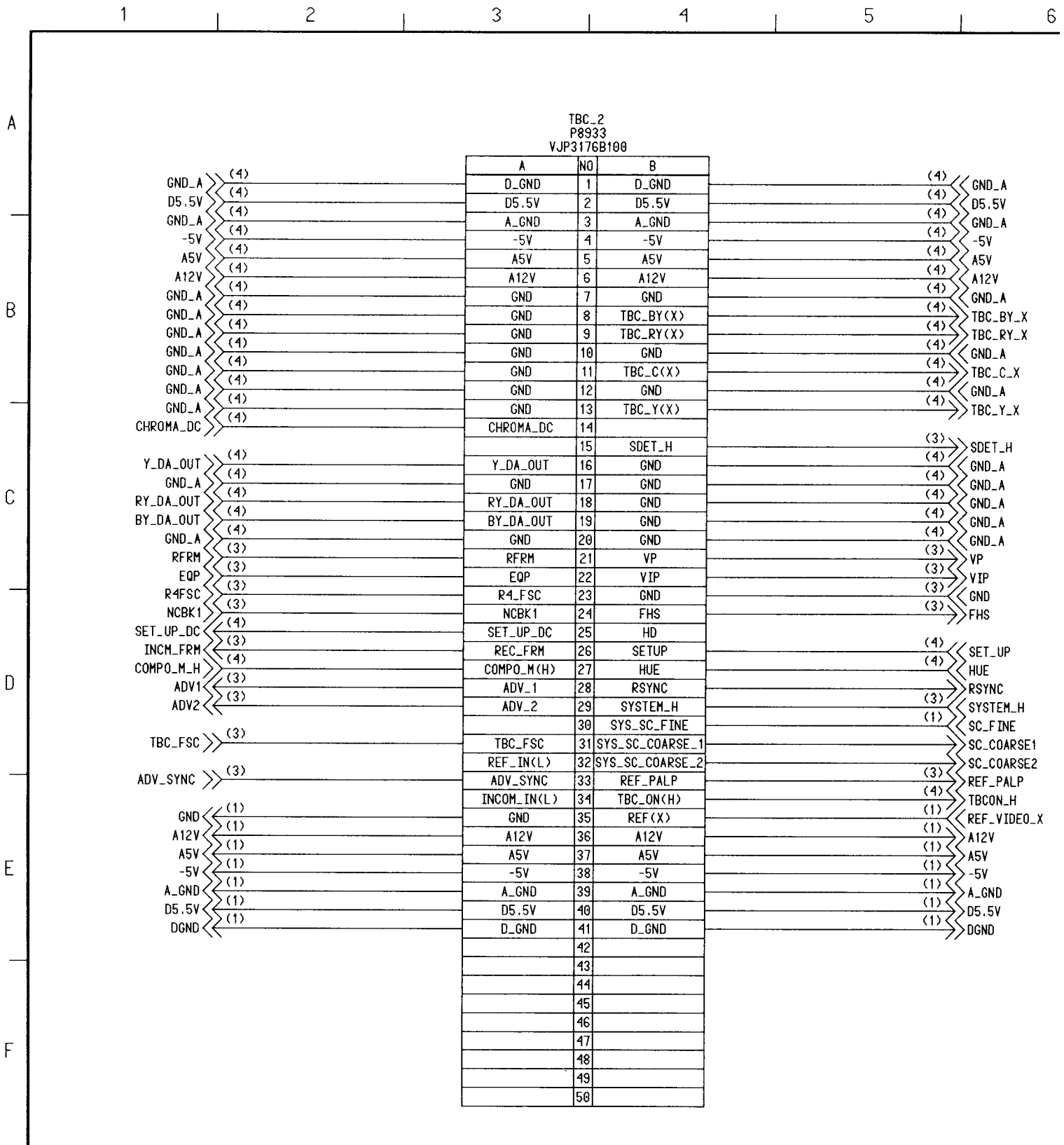
# ENCODER DC VOLTAGE CHART

REF. NO.	IC8801									
MODE	1	2	3	4	5	6	7	8		
EJECT	-0.3	-0.1	-0.1	-4.9	-0.1	-0.1	-0.3	4.8		
REC	-0.2	0	0	-4.9	0	0	-0.3	4.9		
REF. NO.	IC8802									
MODE	1	2	3	4	5	6	7	8		
EJECT	2.8	3.3	2.1	0	2.1	3.3	2.8	4.8		
REC	2.8	3.4	2.1	0	2.1	3.4	2.8	4.9		
REF. NO.	IC8803									
MODE	1	2	3	4	5	6	7	8	9	10
EJECT	0	0.2	5.4	5.3	0.2	0	5.1	0	0.1	5.4
REC	0	0.2	5.4	5.3	0.2	0.2	5.1	0	0.1	5.4
REF. NO.	IC8803									
MODE	11	12	13	14	15	16				
EJECT	5.4	5.2	0.1	0	5.2	5.4				
REC	5.4	5.2	0.1	0	5.2	5.4				
REF. NO.	IC8804									
MODE	1	2	3	4	5	6	7	8		
EJECT	0.2	-0.1	-0.1	-4.9	0	-0.1	0	4.8		
REC	0.2	0	0	-4.9	0	0	0	4.9		
REF. NO.	IC8805									
MODE	1	2	3	4	5	6	7	8		
EJECT	0.5	0	0	-4.9	0	0	0	4.8		
REC	0.5	0	0	-4.9	0	0	0	0		
REF. NO.	IC8806									
MODE	1	2	3	4	5	6	7	8	9	10
EJECT	2.2	1.7	2.8	2.9	3.5	2.9	4.8	2.2	1.7	2.9
REC	2.3	1.8	2.8	2.9	3.5	2.9	4.8	2.2	1.7	2.9
REF. NO.	IC8806									
MODE	11	12	13	14	15	16	17	18	19	20
EJECT	0	1.8	1.4	1.4	4.8	4.2	5.2	3.0	0	3.5
REC	0	1.8	1.4	1.4	4.8	4.2	5.2	3.0	0	3.5
REF. NO.	IC8806									
MODE	21	22	23	24						
EJECT	2.9	2.8	1.7	2.2						
REC	2.9	2.8	1.7	2.3						
REF. NO.	IC8807									
MODE	1	2	3	4	5					
EJECT	0	0.1	0	5.2	5.4					
REC	0	0.1	0	5.2	5.4					
REF. NO.	IC8808									
MODE	1	2	3	4	5	6	7	8	9	10
EJECT	0	0.1	0	0.1	0.1	0	-4.8	0	2.6	1.0
REC	0	0	0.1	0.1	0.1	0	-4.8	0	2.6	1.0
REF. NO.	IC8808									
MODE	11	12	13	14	15	16				
EJECT	4.8	0	0	0	0.1	4.8				
REC	4.8	0	0	0	0.1	4.8				
REF. NO.	IC8809									
MODE	1	2	3	4	5	6	7	8	9	10
EJECT	0.2	5.2	1.1	0.2	5.4	0	0	0.2	0	0
REC	0.2	5.2	1.1	0.2	5.4	0	0	0.2	0	0
REF. NO.	IC8809									
MODE	11	12	13	14						
EJECT	5.1	4.3	1.0	5.4						
REC	5.2	4.4	1.0	5.4						
REF. NO.	IC8810									
MODE	1	2	3	4	5	6	7	8		
EJECT	3.5	1.0	1.0	-5.0	0	0	0	11.6		
REC	3.5	1.1	1.1	-5.0	0	0	0	11.6		
REF. NO.	IC8811									
MODE	1	2	3	4	5					
EJECT	0.2	0	0	0.1	4.8					
REC	0.2	0	0	0.1	4.9					
REF. NO.	IC8812									
MODE	1	2	3	4	5	6	7	8		
EJECT	0	0	0	-5.0	0	0	0	11.6		
REC	0	0	0	-5.0	0	0	0	11.6		
REF. NO.	IC8815									
MODE	1	2	3	4	5					
EJECT	0	5.1	0	0	5.4					
REC	0	5.1	0	0	5.4					

REF. NO.	Q8801			Q8802			Q8803			
MODE	E	C	B	E	C	B	E	C	B	
EJECT	0.6	4.8	1.3	-0.5	4.8	0.1	-0.6	4.8	0	
REC	0.6	4.8	1.3	-0.5	4.8	0.1	-0.6	4.8	0	
REF. NO.	Q8804			Q8805			Q8806			
MODE	E	C	B	E	C	B	E	C	B	
EJECT	0	-4.9	-0.6	-0.4	4.8	0.2	-0.2	4.8	0.5	
REC	0	-4.9	-0.6	-0.5	4.8	0.2	-0.2	4.8	0.5	
REF. NO.	Q8808			Q8809			Q8810			
MODE	E	C	B	E	C	B	E	C	B	
EJECT	-0.5	4.9	0.1	-0.5	4.9	0.1	0.7	-1.7	0	
REC	-0.5	4.9	0.1	-0.5	4.9	0.1	0.7	-1.7	0	
REF. NO.	Q8811			Q8812			Q8813			
MODE	E	C	B	E	C	B	E	C	B	
EJECT	0.1	4.9	0.7	0.7	-1.7	0	0.1	4.9	0.7	
REC	0.1	4.9	0.7	0.7	-1.7	0	0.1	4.9	0.7	
REF. NO.	Q8814			Q8815			Q8816			
MODE	E	C	B	E	C	B	E	C	B	
EJECT	-0.6	4.8	0	-0.6	4.8	0	0.6	-4.8	0	
REC	-0.6	4.8	0	-0.6	4.8	0	0.6	-4.8	0	
REF. NO.	Q8817			Q8818			Q8819			
MODE	E	C	B	E	C	B	E	C	B	
EJECT	0.3	2.7	0.6	0.6	-4.8	-0.1	0.7	-4.8	0.1	
REC	0.4	2.7	0.6	0.7	-4.9	-0.1	0.7	-4.8	0.1	
REF. NO.	Q8820			Q8821			Q8822			
MODE	E	C	B	E	C	B	E	C	B	
EJECT	0.2	2.6	0.6	0.6	-4.8	-0.1	0.5	2.6	0.7	
REC	0.2	2.6	0.6	0.6	-4.8	-0.1	0.5	2.6	0.7	
REF. NO.	Q8823			Q8824			Q8825			
MODE	E	C	B	E	C	B	E	C	B	
EJECT	0.7	-4.8	0.3	2.6	11.5	3.2	0.3	11.5	0.9	
REC	0.7	-4.9	0.3	2.6	11.5	3.2	0.3	11.5	0.9	
REF. NO.	Q8826			Q8827			Q8828			
MODE	E	C	B	E	C	B	E	C	B	
EJECT	0.7	-4.8	0.1	0.3	11.5	0.9	0	11.6	-0.1	
REC	0.7	-4.8	0.1	0.3	11.5	0.9	0	11.5	-0.1	
REF. NO.	Q8829			Q8830						
MODE	E	C	B	E	C	B	E	C	B	
EJECT	2.5	4.8	3.1	2.7	4.8	3.1				
REC	2.5	4.8	3.1	2.5	4.8	3.1				
REF. NO.	Q8831									
MODE	1	2	3	4	5	6				
EJECT	3.1	-0.5	3.1	-0.5	-1.3	-1.3				
REC	3.1	-0.5	3.1	-0.5	-1.3	-1.3				
REF. NO.	Q8832									
MODE	1	2	3	4	5					
EJECT	0.1	0.1	0	0	0					
REC	0.1	0.1	0	0	0					



# TBC (2) CONNECTION SCHEMATIC DIAGRAM 5/6 (E12: Page CBA-10)



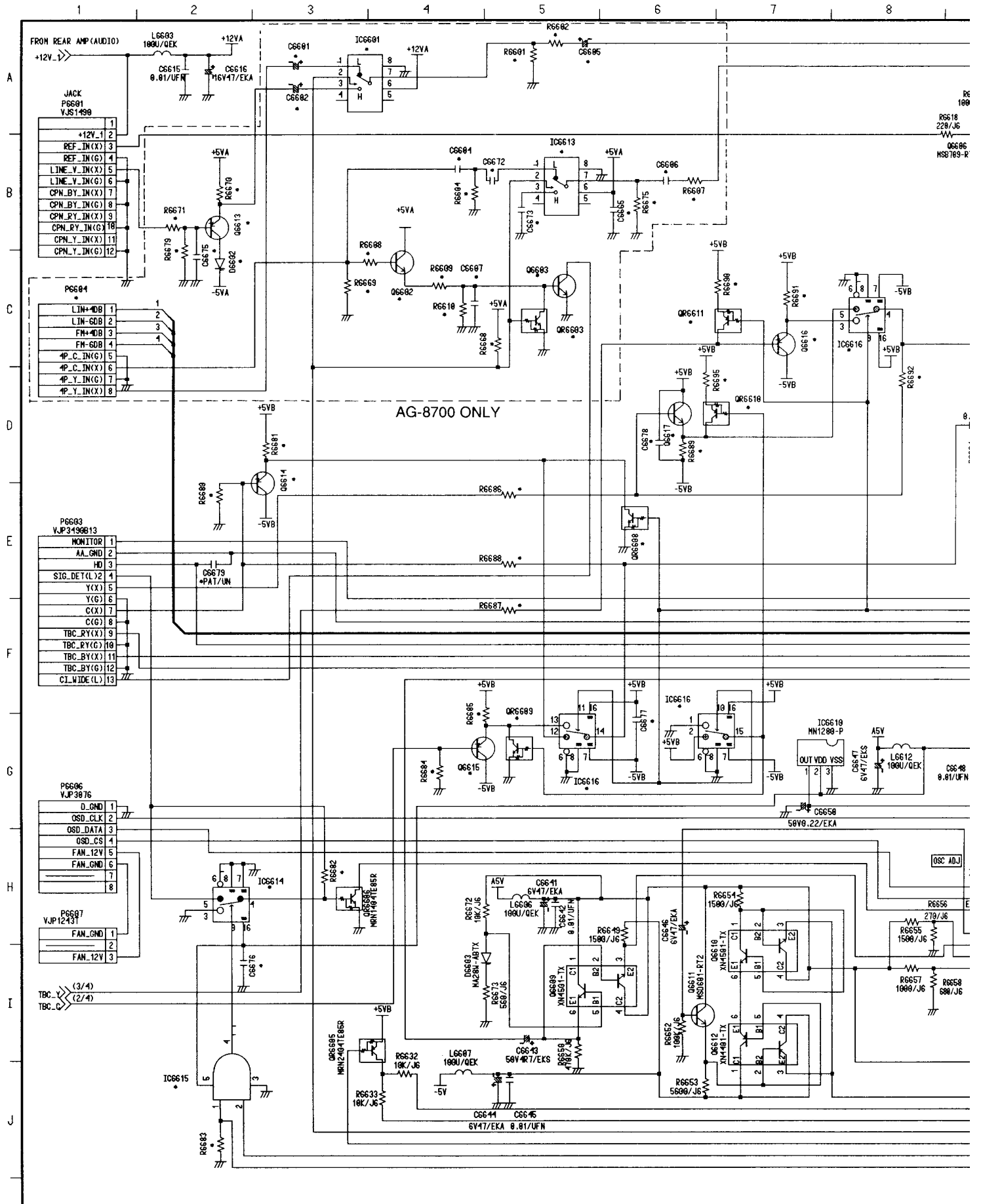
## TBC (2) COMPARISON CHART 6/6 (E12: Page CBA-10)

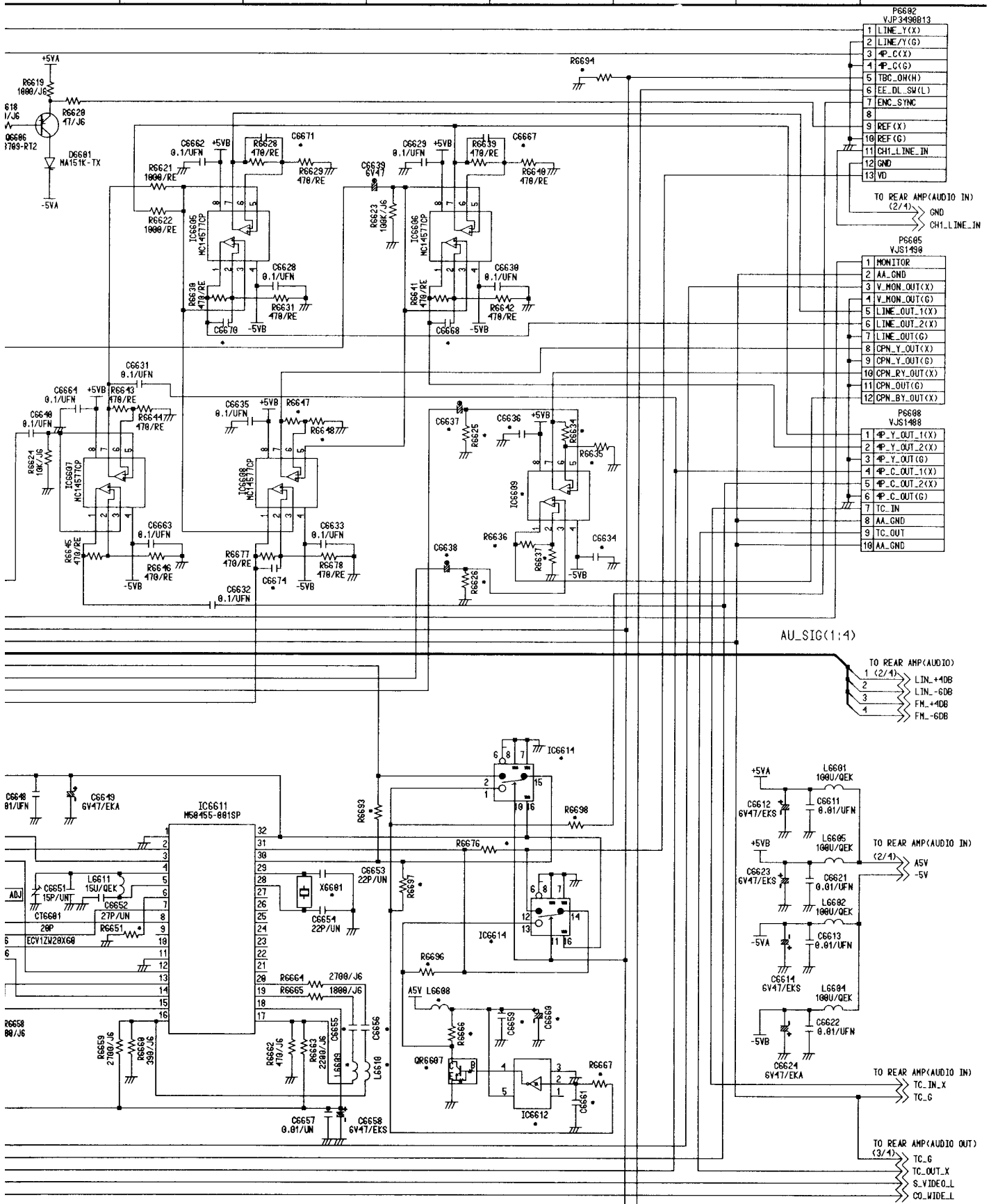
\$REF\$	NTSC	PAL
C8626	15P/UN	*PAT/UN
C8627	15P/UN	*PAT/UN
C8646	*PAT/UFN	0. 1/UFN
C8647	*PAT/UFN	0. 1/UFN
C8648	*PAT/EVV	16V47/EVV
C8649	*PAT/UBN	0. 01/UBN
C8650	*PAT/UFN	0. 1/UFN
C8651	*PAT/EVN	35V2R2/EVN
C8652	*PAT/UN	1000P/UN
C8653	*PAT/UFN	0. 1/UFN
C8654	*PAT/EVV	16V47/EVV
C8655	*PAT/UN	220P/UN
C8661	*PAT/UFN	0. 1/UFN
C8726	*PAT/UN	330P/UN
C8812	*PAT/UN	*PAT/UN
C8818	*PAT/UN	*PAT/UN
C8824	18P/UN	33P/UN
C8825	*PAT/UN	*PAT/UN
C8826	100P/UN	120P/UN
C8831	*PAT/UN	*PAT/UN
C8834	*PAT/UN	*PAT/UN
C8838	*PAT/UN	*PAT/UN
C8839	*PAT/UN	*PAT/UN
C8858	*PAT/UN	*PAT/UN
C8865	33P/UN	27P/UN
C8866	270P/UN	220P/UN
C8867	68P/UN	27P/UN
C8868	7P/UN	*PAT/UN
C8869	22P/UN	*PAT/UN
C8870	120P/UN	100P/UN
C8871	10P/UN	47P/UN
C8872	*PAT/UN	10P/UN
C8873	*PAT/UN	33P/UN
C8916	*PAT/UFN	0. 1/UFN
C8917	*PAT/UFN	0. 1/UFN
C8918	*PAT/UFN	0. 1/UFN
C8919	*PAT/UFN	0. 1/UFN
C8925	*PAT/UN	56P/UN
C8940	12P/UN	5P/UN
C8941	12P/UN	5P/UN
C8642	*PAT/UN	*PAT/UN
D8602	*PAT	MA151K-TX
IC8610	*PAT	NJM082BM-T1
L8603	68U/LA	39U/LA
L8613	*PAT/LC	47U/LC
L8702	VLP0145-T	*PAT

\$REF\$	NTSC	PAL
L8805	47U/LA	100U/LA
L8813	27U/LA	15U/LA
L8814	6R8U/LA	5R6U/LA
L8815	5R6U/LA	6R8U/LA
Q8826	*PAT	MSB709-RT2
Q8829	*PAT	MSC2295-BT2
Q8830	*PAT	MSC2295-BT2
Q8831	*PAT	XN6534-TX
QR8833	*PAT	*PAT
R8625	82K/J6	47K/J6
R8626	10K/J6	15K/J6
R8627	*PAT/J6	8200/J6
R8628	15K/J6	15K/J6
R8629	*PAT/J6	10K/J6
R8632	*PAT/J6	470/J6
R8633	*PAT/J6	47K/J6
R8634	*PAT/J6	1000/J6
R8635	47K/J6	*PAT/J6
R8636	*PAT/J6	22K/J6
R8637	*PAT/J6	1M/J6
R8675	0/J6	*PAT/J6
R8676	*PAT/J6	0/J6
R8695	*PAT/J6	0/J6
R8701	*PAT/J6	0/J6
R8702	0/J6	*PAT/J6
R8706	27K/J6	10K/J6
R8708	4700/J6	2200/J6
R8711	*PAT/J6	*PAT/J6
R8712	*PAT/J6	*PAT/J6
R8714	*PAT/J6	*PAT/J6
R8716	*PAT/J6	*PAT/J6
R8735	56/J6	*PAT/J6
R8738	*PAT/J6	*PAT/J6
R8742	*PAT/J6	*PAT/J6
R8823	220/J6	270/J6
R8825	270/J6	560/J6
R8845	*PAT/J6	*PAT/J6
R8849	1200/J6	0/J6
R8852	*PAT/J6	*PAT/J6
R8854	*PAT/J6	*PAT/J6
R8857	0/J6	*PAT/J6
R8858	*PAT/J6	*PAT/J6
R8859	*PAT/J6	0/J6
R8867	2700/RE	0/J6
R8871	2700/RE	0/J6
R8924	180/J6	0/J6

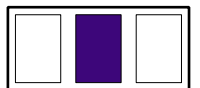
\$REF\$	NTSC	PAL
R8927	0/J6	*PAT/J6
R8928	*PAT/J6	10K/J6
R8929	*PAT/J6	390/J6
R8930	*PAT/J6	180/J6
R8931	*PAT/J6	330/J6
R8932	*PAT/J6	180/J6
R8933	*PAT/J6	10K/J6
R8934	*PAT/J6	22K/J6
R8935	*PAT/J6	22K/J6
R8936	*PAT/J6	22K/J6
R8937	*PAT/J6	47/J6
R8938	*PAT/J6	1500/J6
R8939	*PAT/J6	390/J6
R8977	*PAT/J6	5600/J6
R8978	*PAT/J6	5600/J6
R8981	*PAT/J6	*PAT/J6
R8984	0/J6	*PAT/J6
R8985	*PAT/J6	0/J6
R8986	*PAT/J6	0/J6
R8987	0/J6	*PAT/J6
R8988	0/J6	*PAT/J6
R8989	*PAT/J6	0/J6
VC8801	*PAT	20P
VR8604	*PAT	5KB
VR8671	2KB	*PAT
VR8809	*PAT	1KB
VR8812	*PAT	*PAT
VR8813	*PAT	*PAT
X8601	VSX0338	VSX0270
X8602	*PAT	VSX0567
X8671	VSX0081	VSX0363

# REAR AMP VIDEO SCHEMATIC DIAGRAM 1/4 (E28: Page CBA-13)





==REFER TO THE COMPARISON CHART  
Ref No.6600 Series.



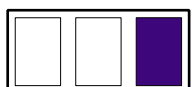
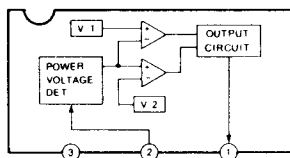


# REAR AMP VIDEO DC VOLTAGE CHART

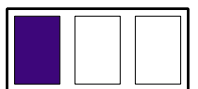
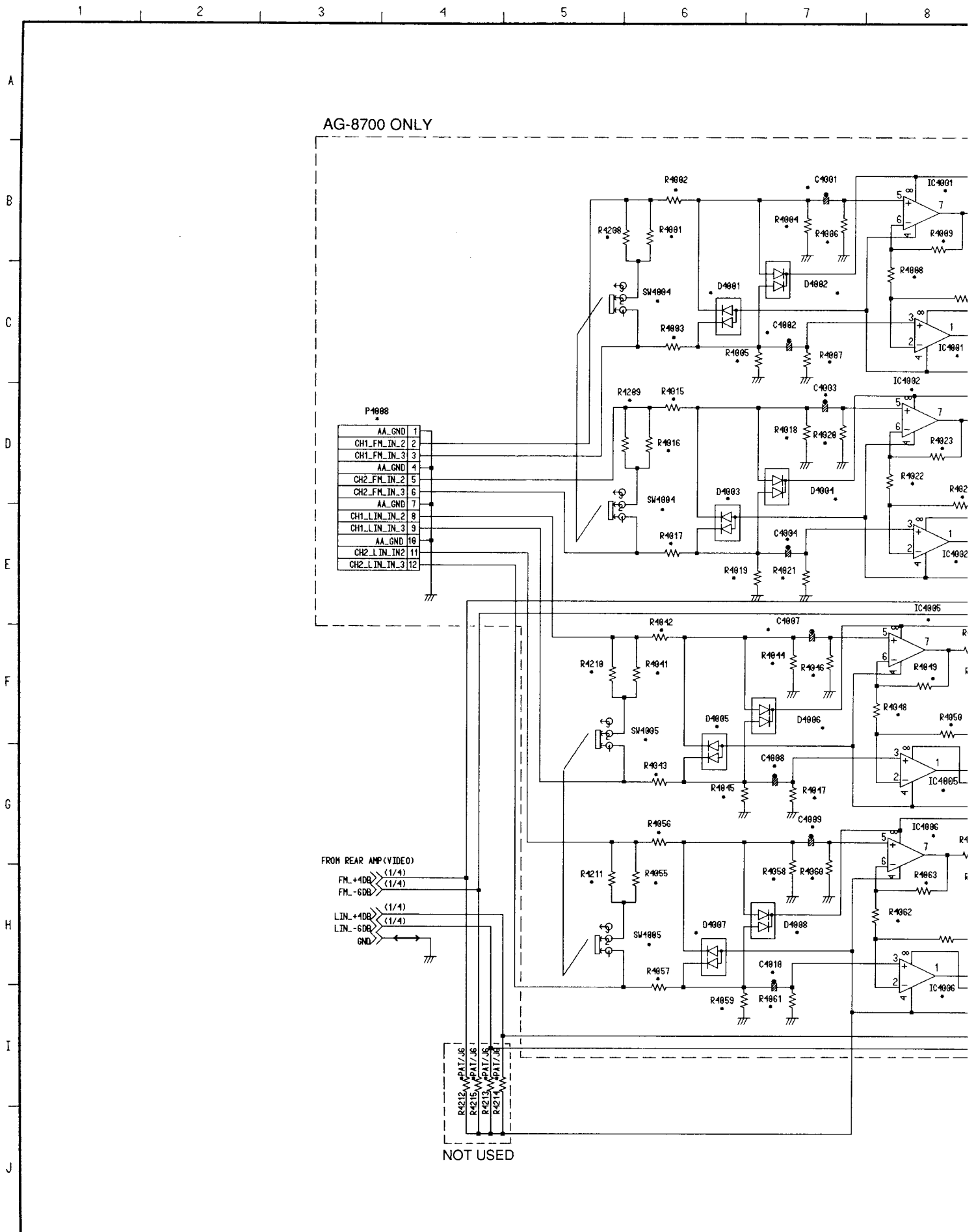
REF. NO.	IC6601									
MODE	1	2	3	4	5	6	7	8		
EJECT	7.2	3.2	7.1	0	0	11.5	6.4	0		
REC	7.2	3.2	7.1	0	0	11.5	6.4	0		
REF. NO.	IC6605									
MODE	1	2	3	4	5	6	7	8		
EJECT	0	0	0	-4.7	0	0	0	4.3		
REC	0	0	0	-4.7	0	0	0	4.3		
REF. NO.	IC6606									
MODE	1	2	3	4	5	6	7	8		
EJECT	0	0	0	-4.7	0	0	0	4.3		
REC	0	0	0	-4.7	0	0	0	4.3		
REF. NO.	IC6607									
MODE	1	2	3	4	5	6	7	8		
EJECT	0	0	0	-4.7	0	0	0	4.3		
REC	0	0	0	-4.7	0	0	0	4.3		
REF. NO.	IC6608									
MODE	1	2	3	4	5	6	7	8		
EJECT	0.1	0	0	-4.3	0	0	0	4.3		
REC	0.1	0	0	-4.3	0	0	0	4.3		
REF. NO.	IC6609									
MODE	1	2	3	4	5	6	7	8		
EJECT	0.1	0.1	0.1	-4.3	0.1	0.1	0.1	4.3		
REC	0	0	0	-4.3	0	0	0	4.3		
REF. NO.	IC6610									
MODE	1	2	3							
EJECT	0	4.9	4.9							
REC	0	4.9	4.9							
REF. NO.	IC6611									
MODE	1	2	3	4	5	6	7	8	9	10
EJECT	0	5.0	4.9	2.2	2.1	0	5.1	0.1	0.5	4.8
REC	0	5.0	4.9	2.2	2.1	0	4.7	0.1	0.5	4.8
REF. NO.	IC6611									
MODE	11	12	13	14	15	16	17	18	19	20
EJECT	0	1.1	1.1	0.7	2.0	0.6	0.8	4.8	0.1	0.1
REC	0	1.1	1.1	0.7	2.0	0.6	0.9	4.8	0.1	0.1
REF. NO.	IC6611									
MODE	21	22	23	24	25	26	27	28	29	30
EJECT	0	0.1	0	0	0	0	4.7	2.3	2.3	3.9
REC	0	0.1	0	0	0	0	4.7	2.3	2.3	4.5
REF. NO.	IC6611									
MODE	31	32								
EJECT	5.1	4.9								
REC	4.9	4.9								
REF. NO.	IC6612									
MODE	1	2	3	4	5					
EJECT	0	0.1	0	0	5.0					
REC	0	4.5	0	0	4.9					
REF. NO.	IC6613									
MODE	1	2	3	4	5	6	7	8		
EJECT	3.0	3.2	2.9	0	0	4.9	2.2	0		
REC	3.0	3.2	2.9	0	0	0	2.2	0		
REF. NO.	IC6614									
MODE	1	2	3	4	5	6	7	8	9	10
EJECT	4.5	3.9	0	0.2	0.2	0	0	0	0	5.1
REC	4.5	3.9	0	0.2	0.2	0	0	0	0	5.1

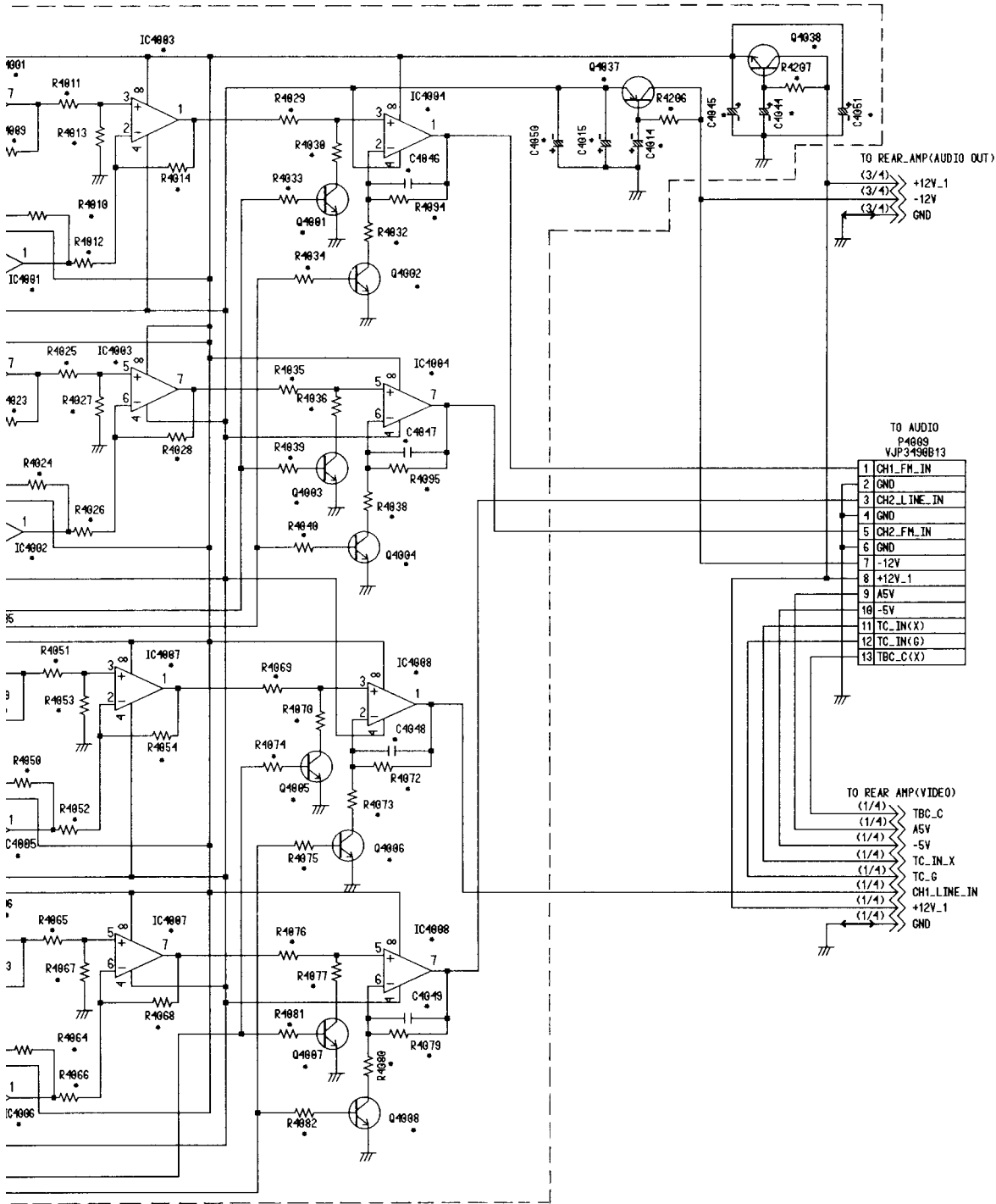
REF. NO.	IC6614										
MODE	11	12	13	14	15	16					
EJECT	5.1	4.8	4.9	4.9	4.5	4.9					
REC	5.1	4.8	4.9	4.9	4.5	4.9					
REF. NO.	IC6615										
MODE	1	2	3	4	5						
EJECT	0	0.7	0	0	4.9						
REC	0.1	5.1	0	0	4.9						
REF. NO.	IC6616										
MODE	1	2	3	4	5	6	7	8	9	10	
EJECT	0	4.3	0.3	0.3	2.6	0	-4.3	0	5.1	5.1	
REC	0	4.3	0.3	0.3	2.6	0	-4.3	0	5.1	5.1	
REF. NO.	IC6616										
MODE	11	12	13	14	15	16					
EJECT	5.1	0.1	0.7	0.7	0	4.3					
REC	5.1	0.1	0.7	0.7	0	4.3					
REF. NO.	Q6602			Q6603			Q6606				
MODE	E	C	B	E	C	B	E	C	B		
EJECT	0	4.9	0	0	5.1	0	0.7	-4.3	0		
REC	0	4.9	0	0	5.1	0	0.7	-4.3	0		
REF. NO.	Q6609										
MODE	1	2	3	4	5	6					
EJECT	4.8	1.7	1.1	4.8	1.3	1.7					
REC	4.8	1.7	1.1	4.8	1.3	1.7					
REF. NO.	Q6610						Q6611				
MODE	1	2	3	4	5	6	E	C	B		
EJECT	0.5	0.5	-0.2	4.8	0.5	-0.2	-0.8	4.8	-0.2		
REC	0.4	0.4	-0.2	4.8	0.4	-0.2	-0.8	4.8	-0.2		
REF. NO.	Q6612						Q6613				
MODE	1	2	3	4	5	6	E	C	B		
EJECT	-4.9	-0.8	-0.2	-4.9	-0.8	-0.2	0.8	-4.2	0.2		
REC	-4.9	-0.8	-0.2	-4.9	-0.8	-0.2	0.8	-4.2	0.2		
REF. NO.	Q6614			Q6615			Q6616				
MODE	E	C	B	E	C	B	E	C	B		
EJECT	0.7	-4.3	0.1	0.1	-4.3	0	0.7	-4.3	0		
REC	0.1	-4.3	0	0.7	-4.3	0.1	0.3	-4.3	-0.4		
REF. NO.	Q6617										
MODE	E	C	B								
EJECT	0.5	4.3	1.1								
REC	2.6	4.3	1.1								
REF. NO.	QR6603			QR6605			QR6606				
MODE	E	C	B	E	C	B	E	C	B		
EJECT	0	0	3.2	4.3	0	4.3	0	4.8	0.2		
REC	0	0	3.2	4.3	0	4.8	0	4.8	0.2		
REF. NO.	QR6607			QR6608			QR6609				
MODE	E	C	B	E	C	B	E	C	B		
EJECT	0	5.0	0	0	0.1	5.1	0	0.1	4.3		
REC	0	4.9	0	0	0.1	5.1	0	0.7	0		
REF. NO.	QR6610			QR6611							
MODE	E	C	B	E	C	B					
EJECT	4.3	0.4	4.3	0	0.7	0.7					
REC	2.8	2.6	0	4.3	-0.4	5.1					

IC6610  
MN1280-P



# REAR AMP AUDIO IN SCHEMATIC DIAGRAM 2/4 (E28: Page CBA-13)





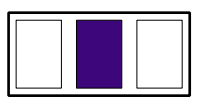
TO AUDIO  
P4089  
VJP3498B13

1	CH1_FM_IN
2	GND
3	CH2_LINE_IN
4	GND
5	CH2_FM_IN
6	GND
7	-12V
8	+12V_1
9	5V
10	-5V
11	TC_IN(X)
12	TC_IN(G)
13	TBC_C(X)

TO REAR AMP(VIDEO)  
(1/4)

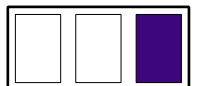
TBC_C
5V
-5V
TC_IN_X
TC_G
CH1_LINE_IN
+12V_1
GND

\*=REFER TO THE COMPARISON CHART  
Ref No.4000 Series.

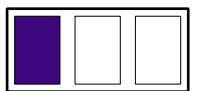
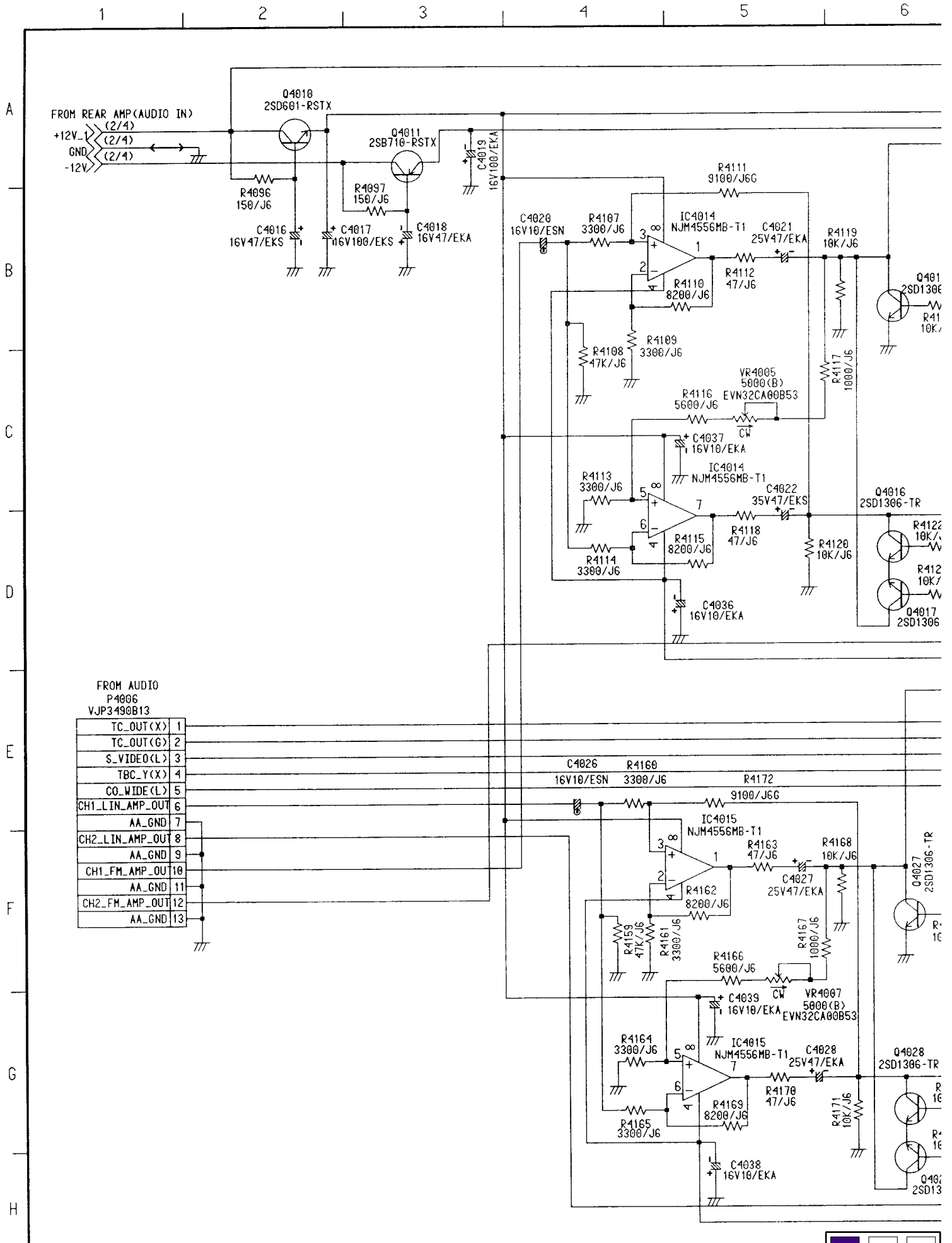


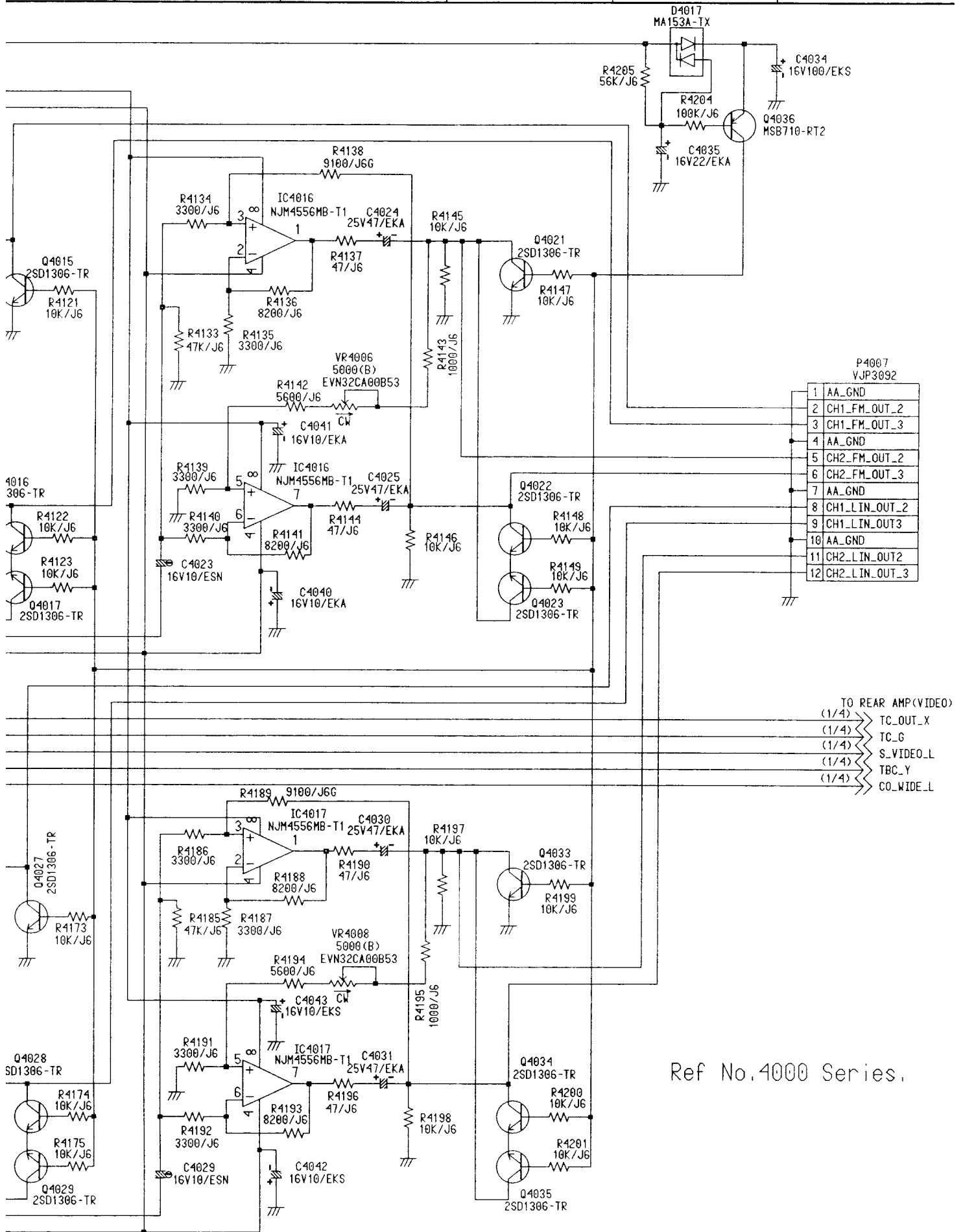
## REAR AMP AUDIO IN DC VOLTAGE CHART

REF. NO.	IC4014								
MODE	1	2	3	4	5	6	7	8	
EJECT	0	0	0	-11.4	0	0	0	10.9	
REC	0	0	0	-11.5	0	0	0	10.9	
REF. NO.	IC4015								
MODE	1	2	3	4	5	6	7	8	
EJECT	0	0	0	-11.4	0	0	0	10.9	
REC	0	0	0	-11.5	0	0	0	10.9	
REF. NO.	IC4016								
MODE	1	2	3	4	5	6	7	8	
EJECT	0	0	0	-11.4	0	0	0	10.9	
REC	0	0	0	-11.5	0	0	0	10.9	
REF. NO.	IC4017								
MODE	1	2	3	4	5	6	7	8	
EJECT	0	0	0	-11.4	0	0	0	10.9	
REC	0	0	0	-11.5	0	0	0	10.9	
REF. NO.	Q4010			Q4011			Q4015		
MODE	E	C	B	E	C	B	E	C	B
EJECT	10.9	11.6	11.6	-11.5	-12.2	-12.1	0	0	0
REC	10.8	11.6	11.6	-11.5	-12.2	-12.1	0	0	0
REF. NO.	Q4016			Q4017			Q4021		
MODE	E	C	B	E	C	B	E	C	B
EJECT	0	0	0	0	0	0	0	0	0
REC	0	0	0	0	0	0	0	0	0
REF. NO.	Q4022			Q4023			Q4027		
MODE	E	C	B	E	C	B	E	C	B
EJECT	0	0	0	0	0	0	0	0	0
REC	0	0	0	0	0	0	0	0	0
REF. NO.	Q4028			Q4029			Q4033		
MODE	E	C	B	E	C	B	E	C	B
EJECT	0	0	0	0	0	0	0	0	0
REC	0	0	0	0	0	0	0	0	0
REF. NO.	Q4034			Q4035			Q4036		
MODE	E	C	B	E	C	B	E	C	B
EJECT	0	0	0	0	0	0	11.2	0	11.4
REC	0	0	0	0	0	0	11.2	0	11.4

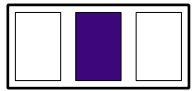


# REAR AMP AUDIO OUT SCHEMATIC DIAGRAM 3/4 (E28: Page CBA-13)



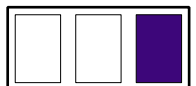


Ref No.4000 Series.



## REAR AMP AUDIO OUT DC VOLTAGE CHART

REF. NO.	IC4001								
MODE	1	2	3	4	5	6	7	8	
EJECT	0	0	0	-11.4	0	0	0	10.9	
REC	0	0	0	-11.4	0	0	0	10.9	
REF. NO.	IC4002								
MODE	1	2	3	4	5	6	7	8	
EJECT	0	0	0	-11.4	0	0	0	10.9	
REC	0	0	0	-11.4	0	0	0	10.9	
REF. NO.	IC4003								
MODE	1	2	3	4	5	6	7	8	
EJECT	0	0	0	-11.4	0	0	0	10.9	
REC	0	0	0	-11.4	0	0	0	10.9	
REF. NO.	IC4004								
MODE	1	2	3	4	5	6	7	8	
EJECT	0	0	0	-11.4	0	0	0	10.9	
REC	0	0	0	-11.4	0	0	0	10.9	
REF. NO.	IC4005								
MODE	1	2	3	4	5	6	7	8	
EJECT	0	0	0	-11.4	0	0	0	10.9	
REC	0	0	0	-11.4	0	0	0	10.9	
REF. NO.	IC4006								
MODE	1	2	3	4	5	6	7	8	
EJECT	0	0	0	-11.4	0	0	0	10.9	
REC	0	0	0	-11.4	0	0	0	10.9	
REF. NO.	IC4007								
MODE	1	2	3	4	5	6	7	8	
EJECT	0	0	0	-11.4	0	0	0	10.9	
REC	0	0	0	-11.5	0	0	0	10.9	
REF. NO.	IC4008								
MODE	1	2	3	4	5	6	7	8	
EJECT	0	0	0	-11.4	0	0	0	10.9	
REC	0	0	0	-11.5	0	0	0	10.9	
REF. NO.	Q4001			Q4002			Q4003		
MODE	E	C	B	E	C	B	E	C	B
EJECT	0	0	-0.1	0	0	-0.1	0	0	0
REC	0	0	-0.1	0	0	-0.1	0	0	0
REF. NO.	Q4004			Q4005			Q4006		
MODE	E	C	B	E	C	B	E	C	B
EJECT	0	0	-0.1	0	0	-0.1	0	0	-0.1
REC	0	0	-0.1	0	0	-0.1	0	0	-0.1
REF. NO.	Q4007			Q4008			Q4037		
MODE	E	C	B	E	C	B	E	C	B
EJECT	0	0	-0.1	0	0	-0.1	-11.5	-12.2	-12.1
REC	0	0	-0.1	0	0	-0.1	-11.5	-12.2	-12.1
REF. NO.	Q4038								
MODE	E	C	B						
EJECT	10.9	11.6	11.6						
REC	10.9	11.6	11.5						



# REAR AMP COMPARISON CHART 4/4 (E28: Page CBA-13)

\$REF\$	AG-8700	AG-8600
C4001	16V10/EVN	*PAT/EVN
C4002	16V10/EVN	*PAT/EVN
C4003	16V10/EVN	*PAT/EVN
C4004	16V10/EVN	*PAT/EVN
C4007	16V10/EVN	*PAT/EVN
C4008	16V10/EVN	*PAT/EVN
C4009	16V10/EVN	*PAT/EVN
C4010	16V10/EVN	*PAT/EVN
C4014	16V47/EVV	*PAT/EVV
C4015	16V47/EVV	*PAT/EVV
C4044	16V47/EVV	*PAT/EVV
C4045	16V47/EVV	*PAT/EVV
C4046	33P/UN	*PAT/UN
C4047	33P/UN	*PAT/UN
C4048	33P/UN	*PAT/UN
C4049	33P/UN	*PAT/UN
C4050	16V47/EVV	*PAT/EVV
C4051	16V47/EVV	*PAT/EVV
C6601	10V47/EKA	*PAT/EKA
C6602	10V47/EKA	*PAT/EKA
C6604	0. 1/UFN	*PAT/UFN
C6605	10V100/EKA	*PAT/EKA
C6606	0. 1/UFN	*PAT/UFN
C6607	0. 1/UFN	*PAT/UFN
C6634	0. 1/UFN	0. 1/UFN
C6636	0. 1/UFN	0. 1/UFN
C6637	6V47	6V47
C6638	6V47	6V47
C6655	39P/UN	39P/UN
C6656	39P/UN	39P/UN
C6659	0. 01/UFN	0. 01/UFN
C6660	6V47/EKA	6V47/EKA
C6661	1000P/UBN	1000P/UBN
C6665	0. 01/UFN	*PAT/UFN
C6667	27P/UN	27P/UN
C6668	27P/UN	27P/UN
C6670	27P/UN	27P/UN
C6671	27P/UN	27P/UN
C6672	0. 1/UFN	*PAT/UFN
C6673	0. 1/UFN	*PAT/UFN
C6674	27P/UN	27P/UN

\$REF\$	AG-8700	AG-8600
C6675	15P/UN	*PAT/UN
C6676	0. 1/UFN	0. 1/UFN
C6677	0. 1/UFN	0. 1/UFN
C6678	0. 1/UFN	0. 1/UFN
C6679	*PAT/UN	*PAT/UN
D4001	MA151WA-TX	*PAT
D4002	MA151WK-TX	*PAT
D4003	MA151WA-TX	*PAT
D4004	MA151WK-TX	*PAT
D4005	MA151WA-TX	*PAT
D4006	MA151WK-TX	*PAT
D4007	MA151WA-TX	*PAT
D4008	MA151WK-TX	*PAT
D6602	MA151K-TX	*PAT
IC4001	NJM4556MB-T1	*PAT
IC4002	NJM4556MB-T1	*PAT
IC4003	NJM4556MB-T1	*PAT
IC4004	AN6558S	*PAT
IC4005	NJM4556MB-T1	*PAT
IC4006	NJM4556MB-T1	*PAT
IC4007	NJM4556MB-T1	*PAT
IC4008	AN6558S	*PAT
IC6601	NJM2233BMAT1	*PAT
IC6609	MC14577CP	MC14577CP
IC6612	TC4S584FT85R	TC4S584FT85R
IC6613	NJM2233BMAT1	*PAT
IC6614	MC74HC4053FR	MC74HC4053FR
IC6615	TC7S08FTE85R	TC7S08FTE85R
IC6616	MC74HC4053FR	MC74HC4053FR
L6608	33U/QEK	33U/QEK
L6609	47U/QEK	47U/QEK
L6610	47U/QEK	47U/QEK
P4008	VJP3092	*PAT
P6604	VJS1468	*PAT
Q4001	MSD601-RT2	*PAT
Q4002	MSD601-RT2	*PAT
Q4003	MSD601-RT2	*PAT
Q4004	MSD601-RT2	*PAT
Q4005	MSD601-RT2	*PAT
Q4006	MSD601-RT2	*PAT
Q4007	MSD601-RT2	*PAT
Q4008	MSD601-RT2	*PAT



\$REF\$	AG-8700	AG-8600
Q4037	2SB710-RSTX	*PAT
Q4038	2SD602-RSTX	*PAT
Q6602	MSD601-RT2	*PAT
Q6603	MSD601-RT2	*PAT
Q6613	MSB709-RT2	*PAT
Q6614	MSB709-RT2	MSB709-RT2
Q6615	MSB709-RT2	MSB709-RT2
Q6616	MSB709-RT2	MSB709-RT2
Q6617	MSD601-RT2	MSD601-RT2
QR6603	MRN1404TE85R	*PAT
QR6607	MRN1404TE85R	MRN1404TE85R
QR6608	MRN1404TE85R	MRN1404TE85R
QR6609	MRN1404TE85R	MRN1404TE85R
QR6610	MRN2404TE85R	MRN2404TE85R
QR6611	MRN2404TE85R	MRN2404TE85R
R4001	680/J6	*PAT/J6
R4002	47K/J6	*PAT/J6
R4003	47K/J6	*PAT/J6
R4004	8200/J6	*PAT/J6
R4005	8200/J6	*PAT/J6
R4006	100K/J6	*PAT/J6
R4007	100K/J6	*PAT/J6
R4008	3300/RE	*PAT/J6
R4009	4700/RE	*PAT/J6
R4010	4700/RE	*PAT/J6
R4011	4700/RE	*PAT/J6
R4012	4700/RE	*PAT/J6
R4013	4700/RE	*PAT/J6
R4014	4700/RE	*PAT/J6
R4015	47K/J6	*PAT/J6
R4016	680/J6	*PAT/J6
R4017	47K/J6	*PAT/J6
R4018	8200/J6	*PAT/J6
R4019	8200/J6	*PAT/J6
R4020	100K/J6	*PAT/J6
R4021	100K/J6	*PAT/J6
R4022	3300/RE	*PAT/J6
R4023	4700/RE	*PAT/J6
R4024	4700/RE	*PAT/J6
R4025	4700/RE	*PAT/J6
R4026	4700/RE	*PAT/J6

\$REF\$	AG-8700	AG-8600
R4070	18K/J6	*PAT/J6
R4072	10K/J6	*PAT/J6
R4073	10K/J6	*PAT/J6
R4074	10K/J6	*PAT/J6
R4075	10K/J6	*PAT/J6
R4076	10K/J6	*PAT/J6
R4077	18K/J6	*PAT/J6
R4079	10K/J6	*PAT/J6
R4080	10K/J6	*PAT/J6
R4081	10K/J6	*PAT/J6
R4082	10K/J6	*PAT/J6
R4094	10K/J6	*PAT/J6
R4095	10K/J6	*PAT/J6
R4206	150/J6	*PAT/J6
R4207	150/J6	*PAT/J6
R4208	5600/J6	*PAT/J6
R4209	5600/J6	*PAT/J6
R4210	5600/J6	*PAT/J6
R4211	5600/J6	*PAT/J6
R4212	*PAT/J6	*PAT/J6
R4213	*PAT/J6	*PAT/J6
R4214	*PAT/J6	*PAT/J6
R4215	*PAT/J6	*PAT/J6
R6601	3300/J6	*PAT/J6
R6602	47/J6	*PAT/J6
R6604	75/G6	*PAT/J6
R6607	47/J6	*PAT/J6
R6608	1000/J6	*PAT/J6
R6609	4700/J6	*PAT/J6
R6610	2700/J6	*PAT/J6
R6625	10K/J6	10K/J6
R6626	10K/J6	10K/J6
R6634	470/RE	470/RE
R6635	470/RE	470/RE
R6636	470/RE	470/RE
R6637	470/RE	470/RE
R6647	470/RE	470/RE
R6648	470/RE	470/RE
R6651	0/J6	0/J6
R6666	3300/J6	3300/J6
R6667	22K/J6	22K/J6

\$REF\$	AG-8700	AG-8600
R6668	10K/J6	*PAT/J6
R6669	120K/J6	*PAT/J6
R6670	1000/J6	*PAT/J6
R6671	220/J6	*PAT/J6
R6675	3300/J6	*PAT/J6
R6676	*PAT/J6	*PAT/J6
R6679	10K/J6	*PAT/J6
R6680	10K/J6	10K/J6
R6681	1500/J6	1500/J6
R6682	*PAT/J6	*PAT/J6
R6683	100K/J6	100K/J6
R6684	10K/J6	10K/J6
R6685	1500/J6	1500/J6
R6686	33/J6	33/J6
R6687	33/J6	33/J6
R6688	*PAT/J6	*PAT/J6
R6689	1500/J6	1500/J6
R6690	1000/J6	1000/J6
R6691	1500/J6	1500/J6
R6692	*PAT/J6	*PAT/J6
R6693	*PAT/J6	*PAT/J6
R6694	100K/J6	100K/J6
R6695	330/J6	330/J6
R6696	*PAT/J6	*PAT/J6
R6697	*PAT/J6	*PAT/J6
R6698	0/J6	0/J6
SW4004	VSS0208	*PAT
SW4005	VSS0208	*PAT
X6601	VSX0316	VSX0316

# REAR JACK SCHEMATIC DIAGRAM 1/2 (E29: Page CBA-14)

1 2 3 4 5 6

A

B

C

D

E

F

G

H

P6701  
VJS3215B012

1	1
2	+12V_2
3	REF_IN(X)
4	REF_IN(G)
5	LINE_V_IN(X)
6	LINE_V_IN(G)
7	
8	
9	
10	
11	
12	

P6702

1	LIN+4DB
2	LIN-6DB
3	FM+4DB
4	FM-6DB
5	4P_C_IN(G)
6	4P_C_IN(X)
7	4P_Y_IN(G)
8	4P_Y_IN(X)

AG-8700 ONLY

P6703

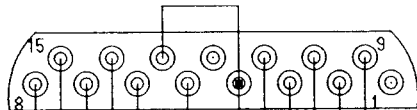
1	MONITOR
2	AA_GND
3	V_MON_OUT(X)
4	V_MON_OUT(G)
5	LINE_OUT_1(X)
6	LINE_OUT_2(X)
7	LINE_OUT(G)
8	CPN_Y_OUT(X)
9	CPN_Y_OUT(G)
10	CPN_RY_OUT(X)
11	CPN_OUT(G)
12	CPN_BY_OUT(X)

P6704

1	4P_Y_OUT_1(X)
2	4P_Y_OUT_2(X)
3	4P_Y_OUT(G)
4	4P_C_OUT_1(X)
5	4P_C_OUT_2(X)
6	4P_C_OUT(G)
7	TC_IN
8	AA_GND
9	TC_OUT
10	AA_GND

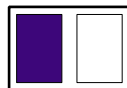
TBC\_REMOTE

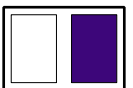
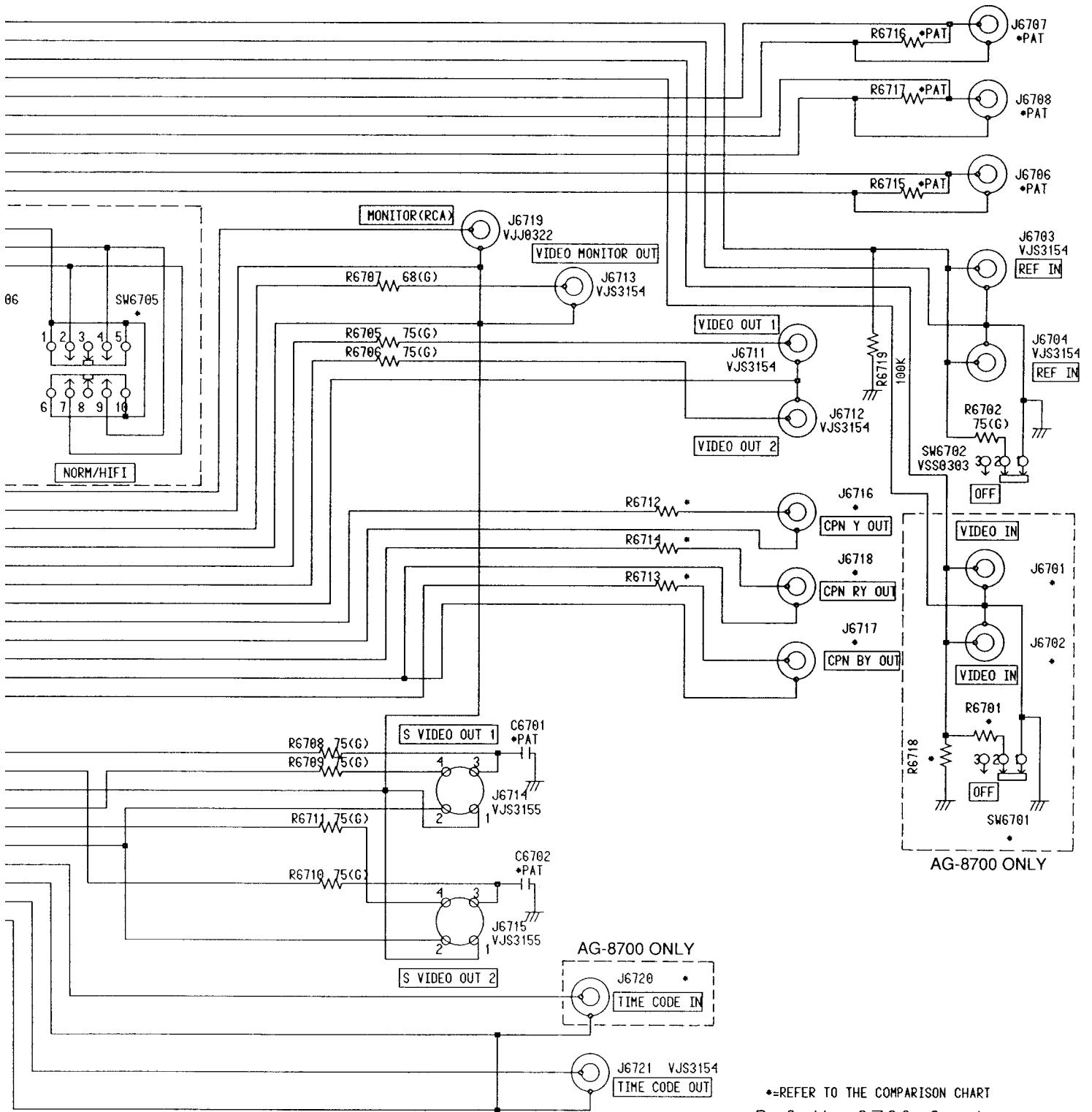
J6709  
VJP3414A015



P6705  
VEE8725

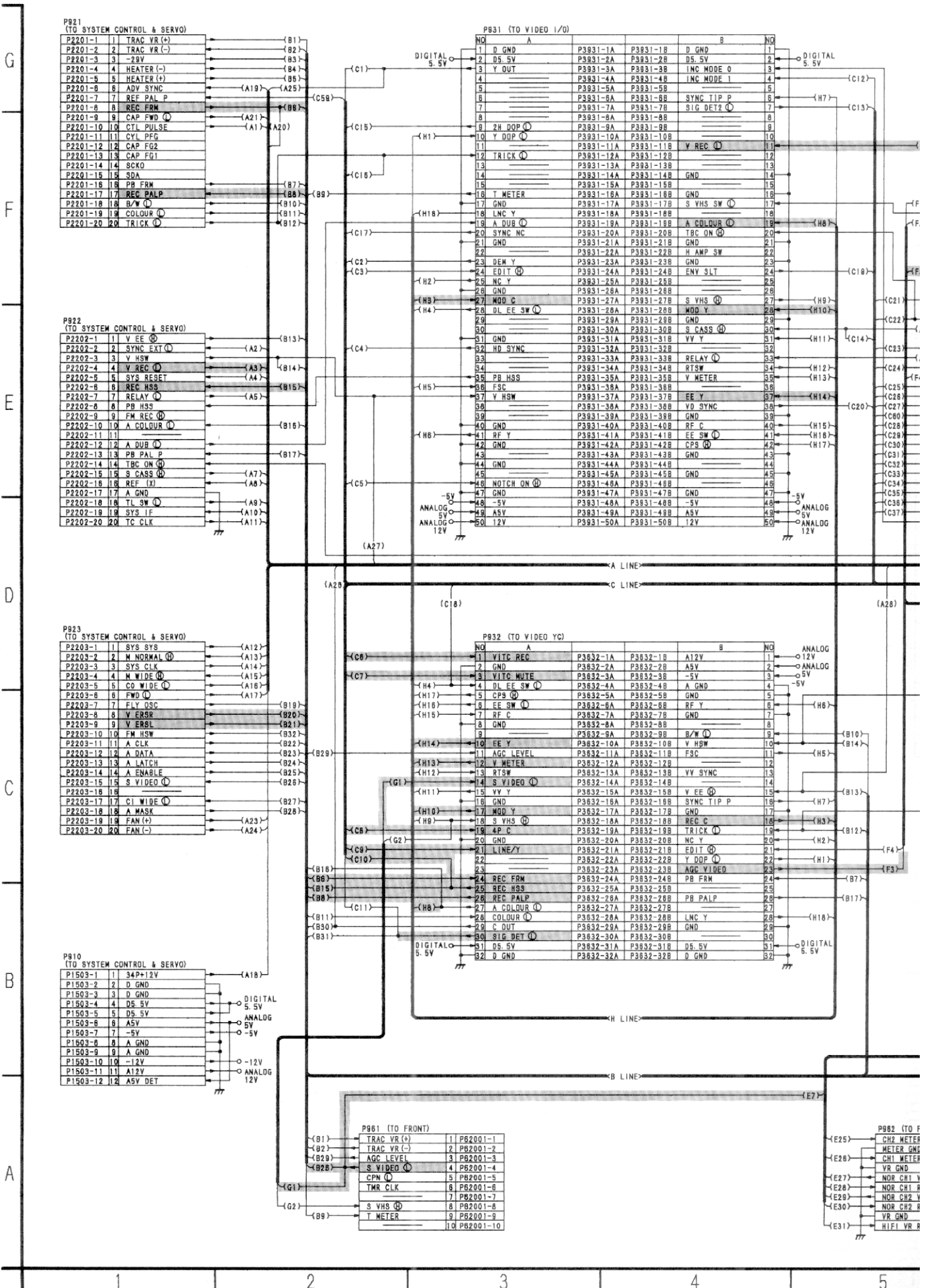
1	R_SET_UP
2	R_CHROMA_LEVEL
3	R_GND
4	R_+12V
5	R_SYSTEM_H
6	RSYS_SC_COARSE
7	R_-12V
8	R_HUE
9	R_VIDEO_LEVEL
10	R_RET_GND
11	R_SYS_SC_FINE
12	RSYS_SC_COARSE



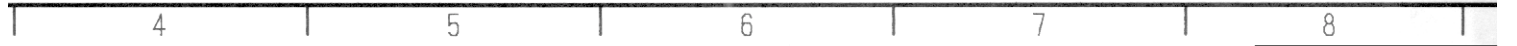
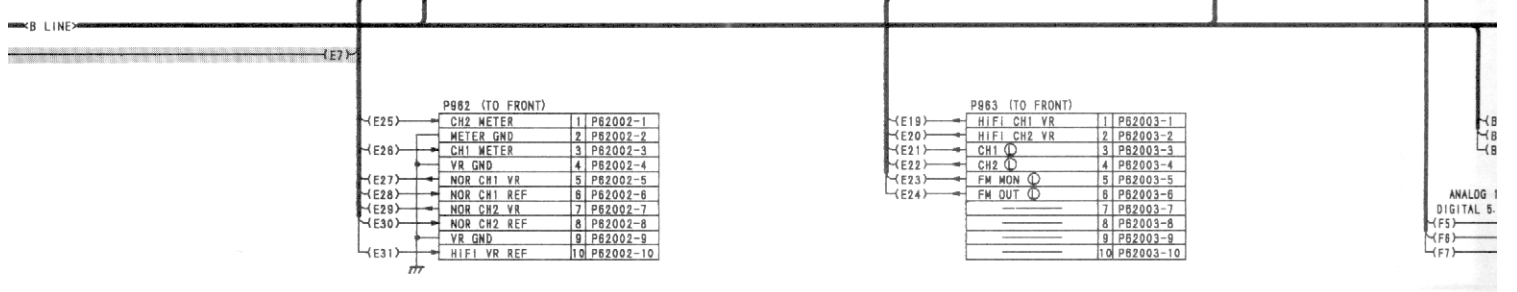
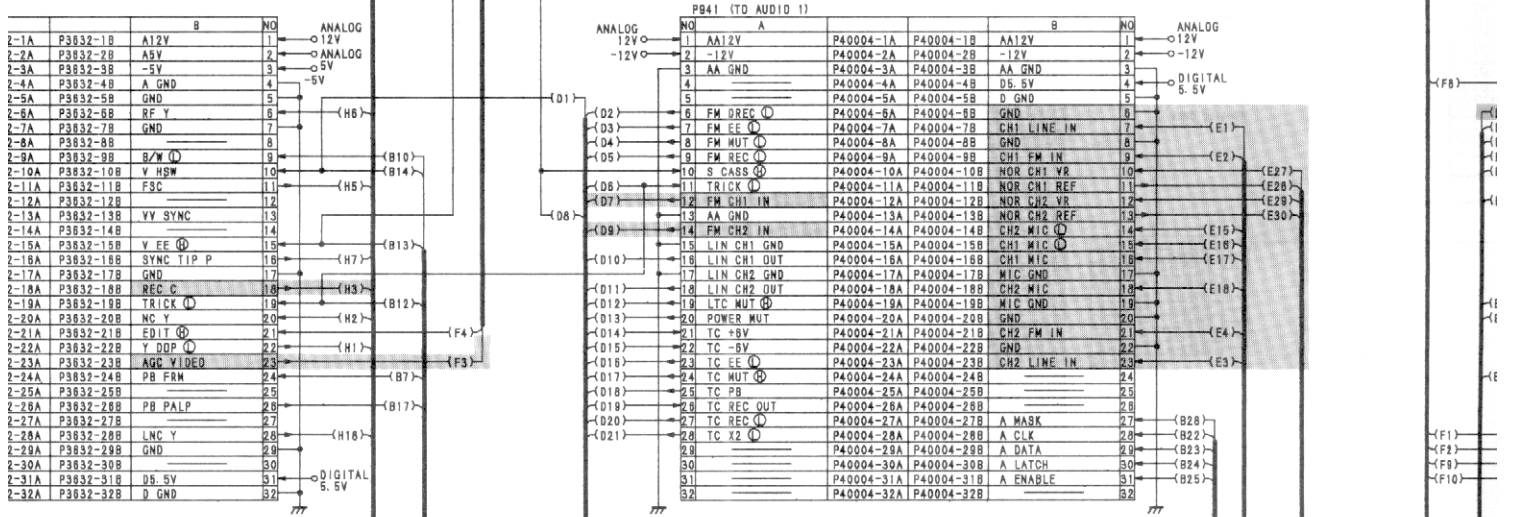
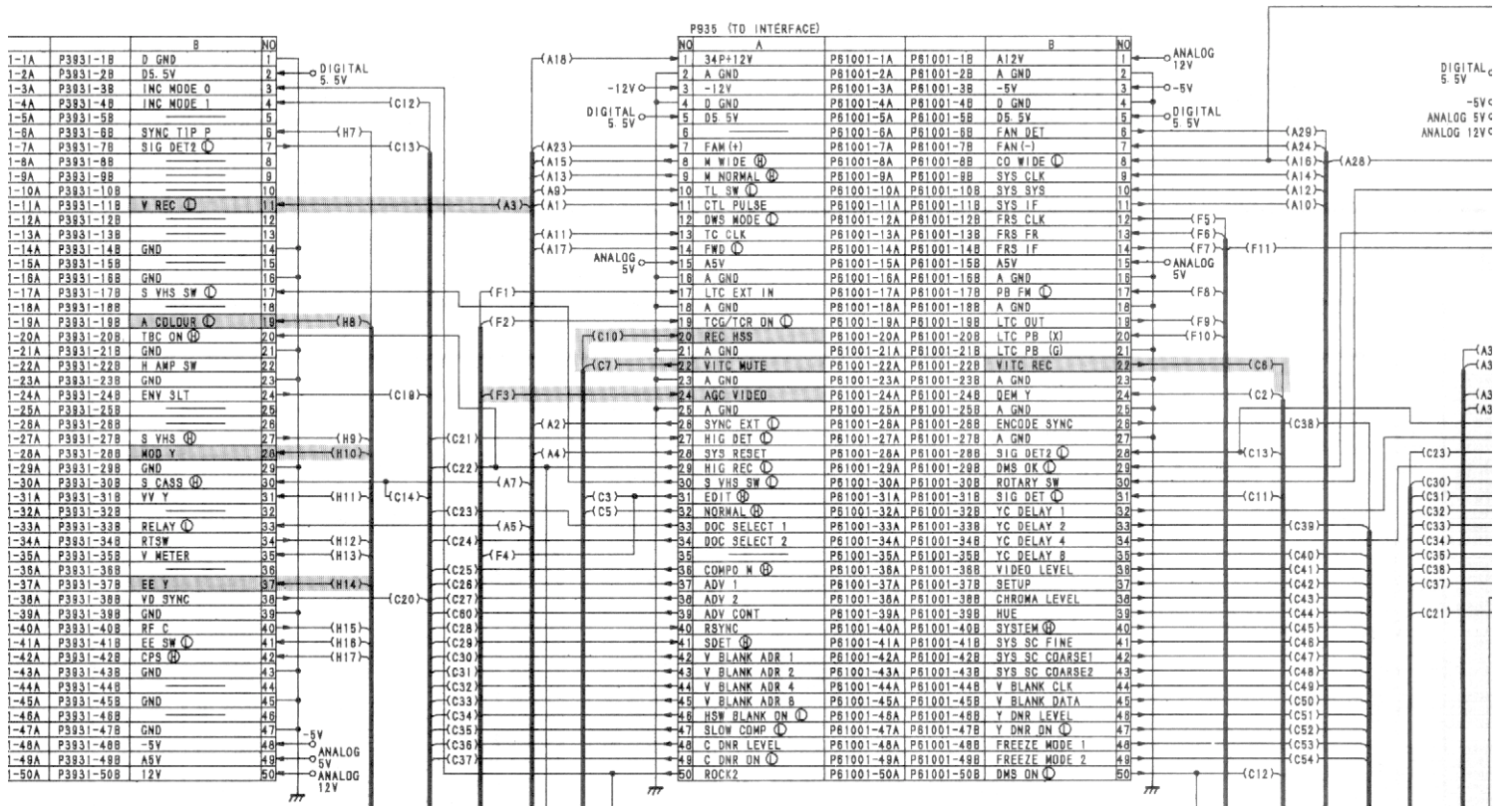


**REAR JACK COMPARISON CHART 2/2  
(E29: Page CBA-14)**

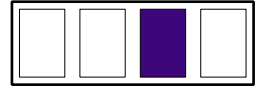
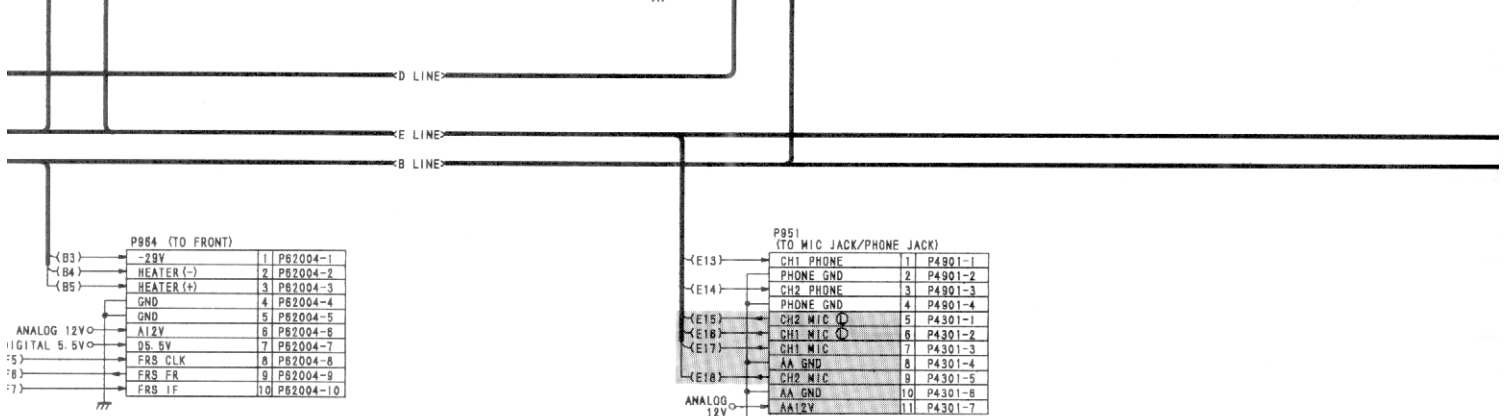
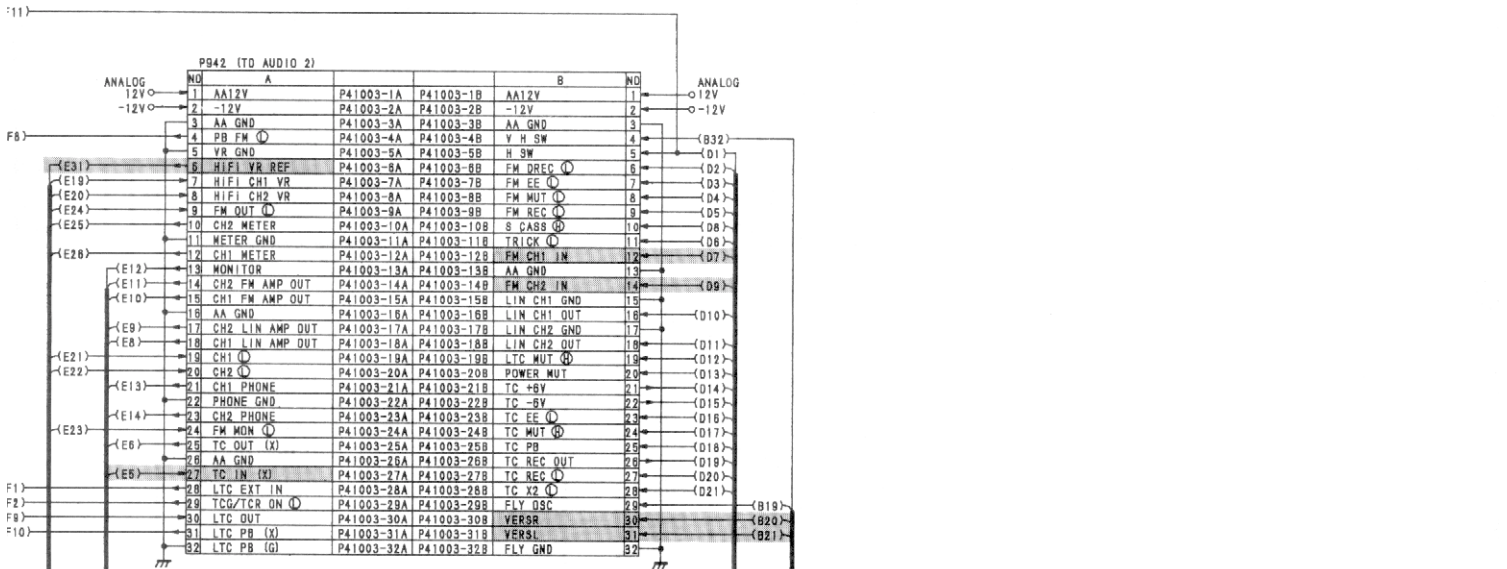
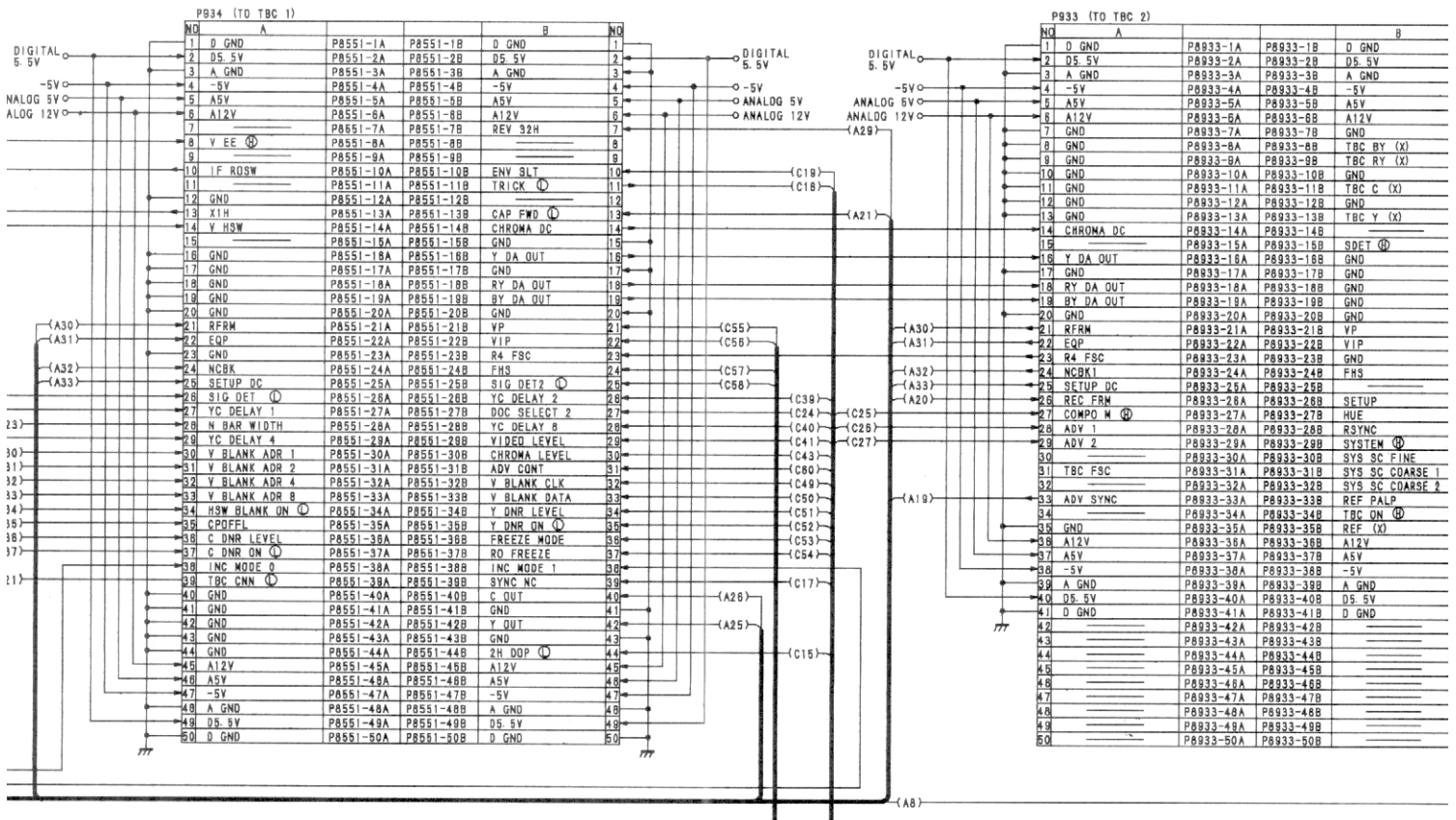
\$REF\$	AG-8700	AG-8600
C6701	*PAT	*PAT
C6702	*PAT	*PAT
J6701	VJS3154	*PAT
J6702	VJS3154	*PAT
J6705	VJS3155	*PAT
J6706	*PAT	*PAT
J6707	*PAT	*PAT
J6708	*PAT	*PAT
J6716	VJS3154	VJS3154
J6717	VJS3154	VJS3154
J6718	VJS3154	VJS3154
J6720	VJS3154	*PAT
P6702	VJS3215B008	*PAT
R6701	75(G)	*PAT
R6704	75(G)	*PAT
R6712	75(G)	75(G)
R6713	75(G)	75(G)
R6714	75(G)	75(G)
R6715	*PAT	*PAT
R6716	*PAT	*PAT
R6717	*PAT	*PAT
R6718	100K/DS	*PAT
SW6701	VSS0303	*PAT
SW6705	VSS0390	*PAT
SW6706	VSS0390	*PAT



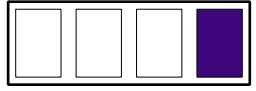
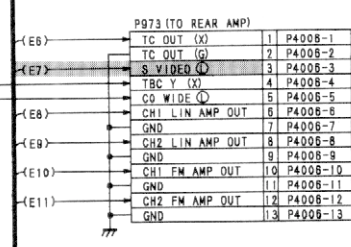
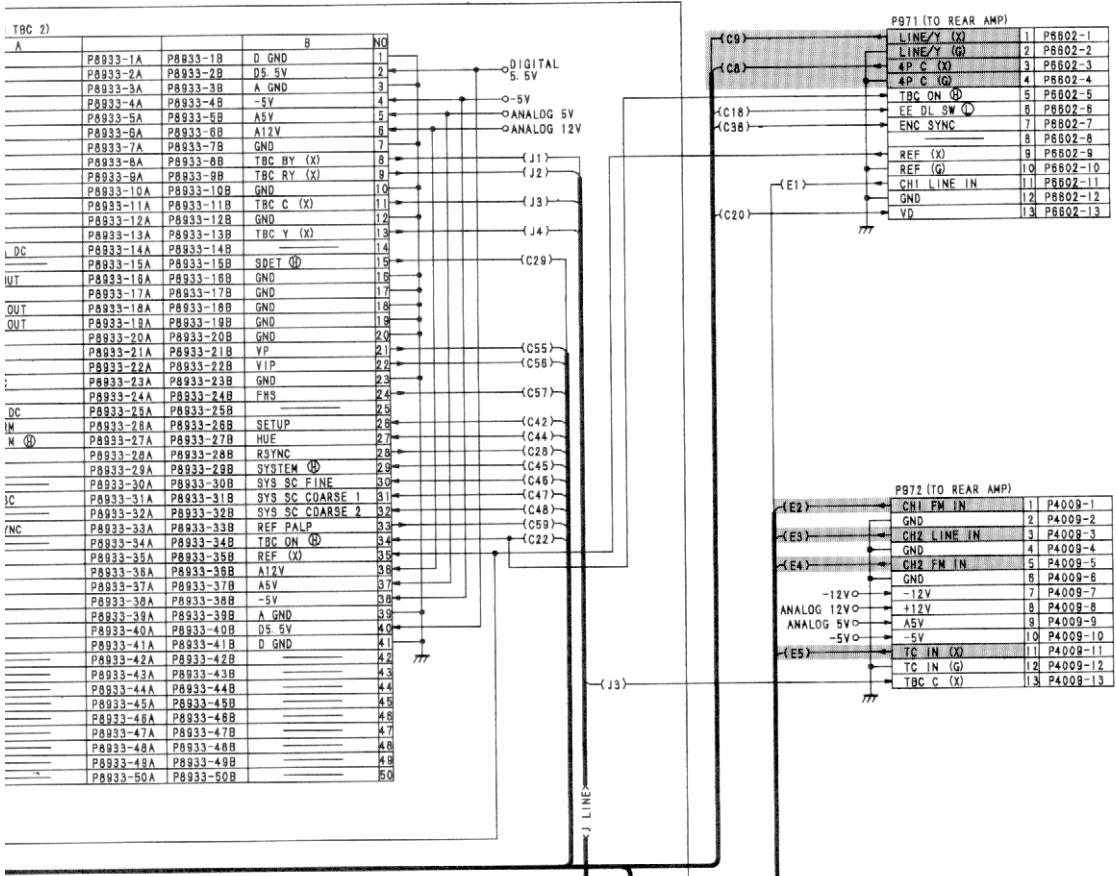




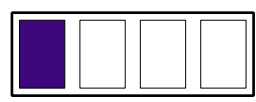
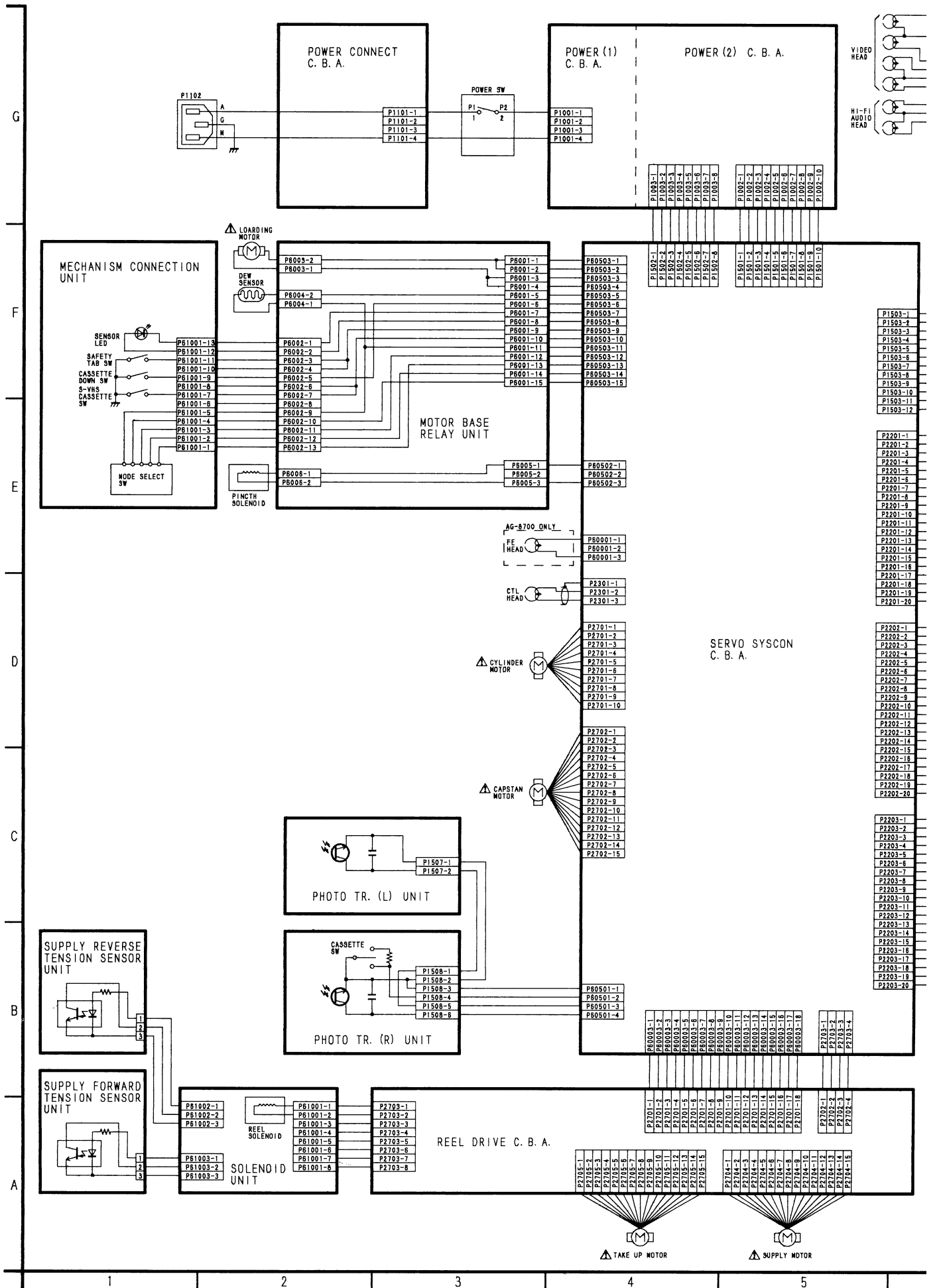
mark on this schematic diagram.

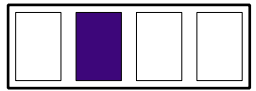
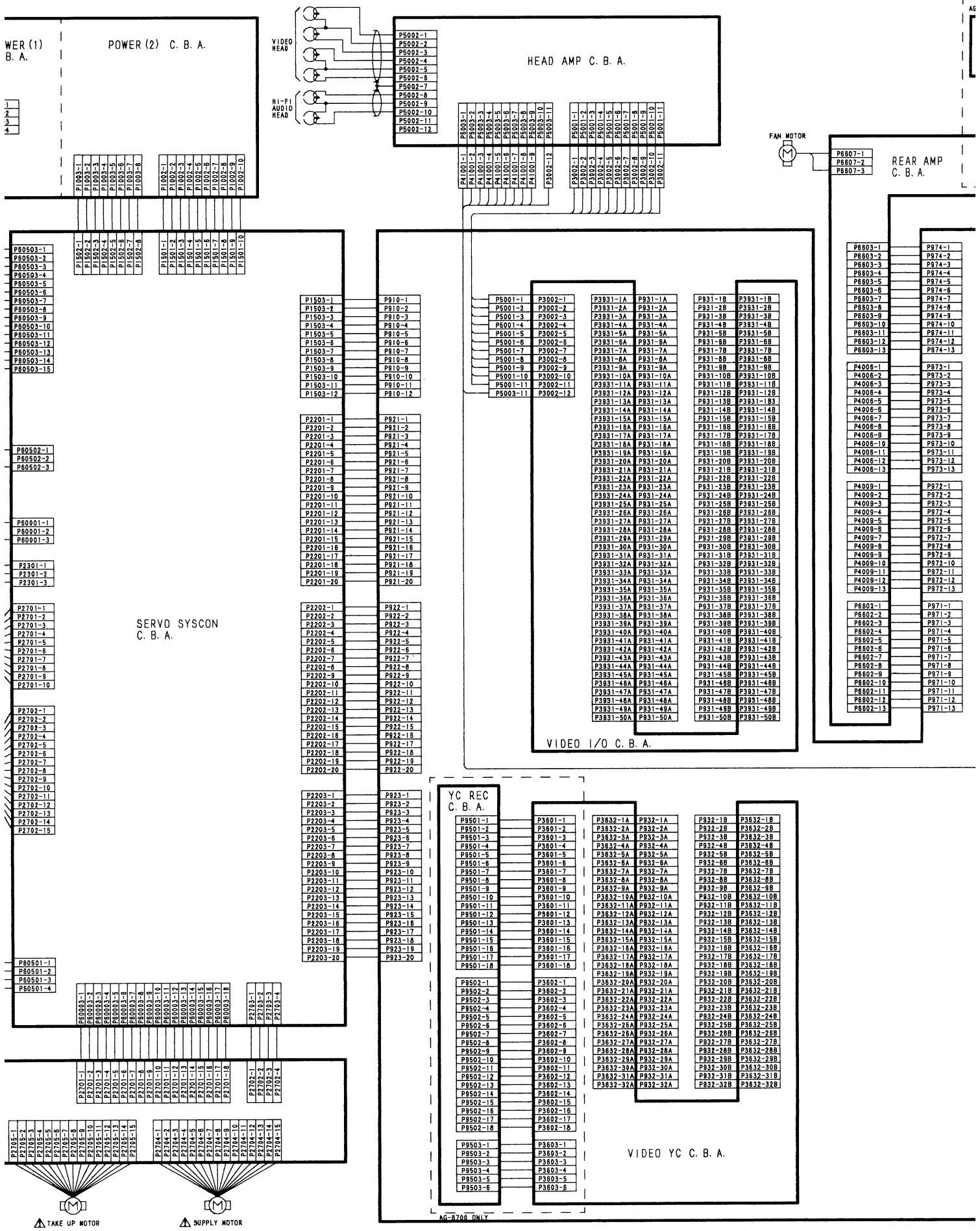




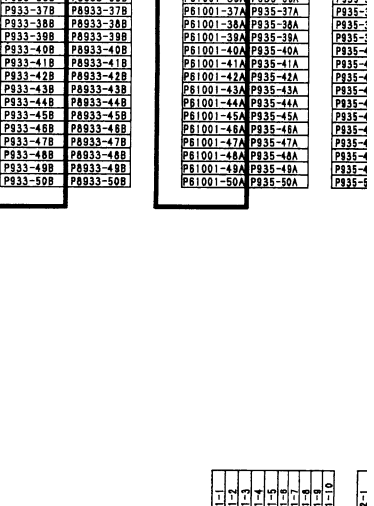
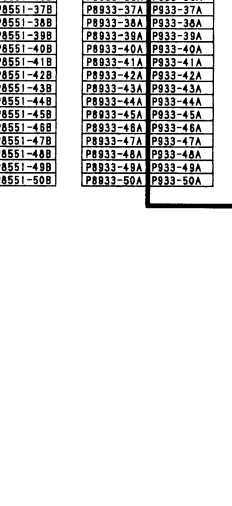
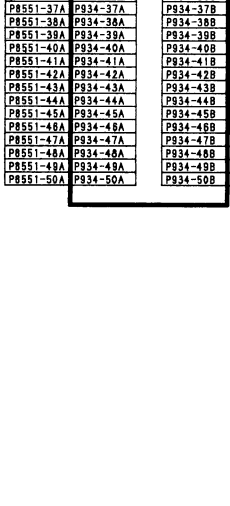
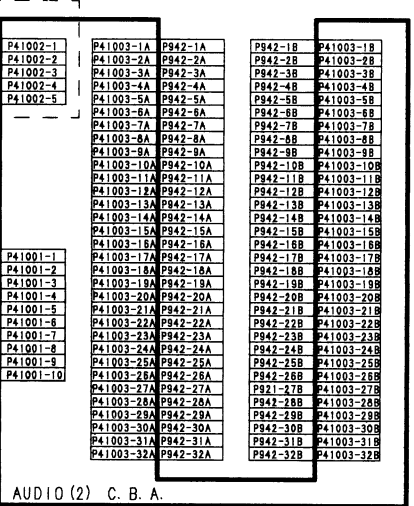
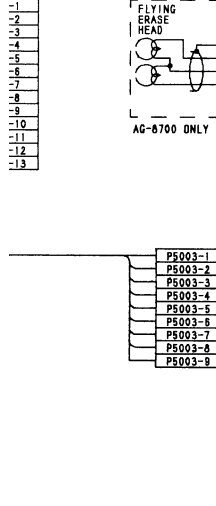
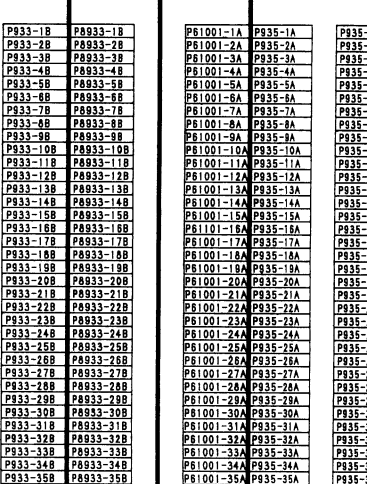
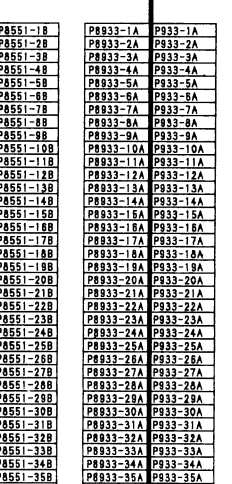
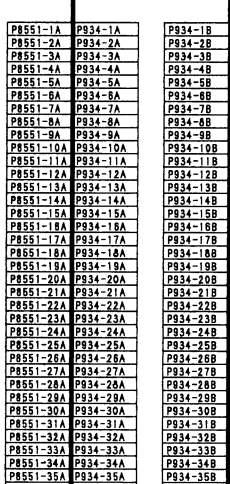
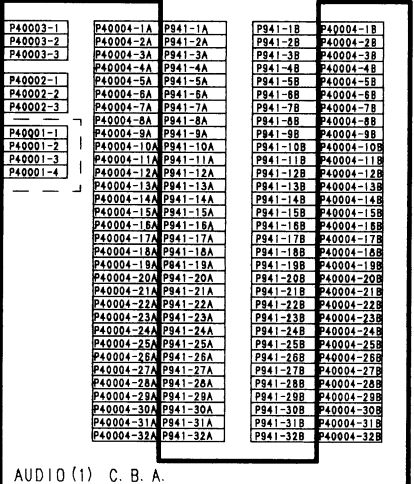
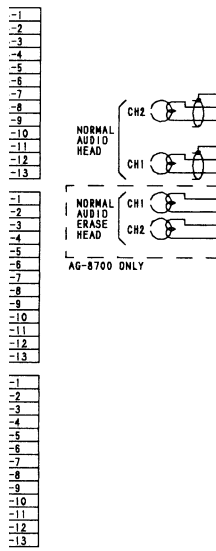
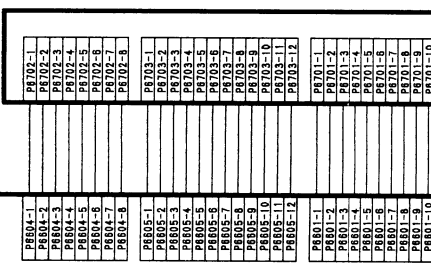
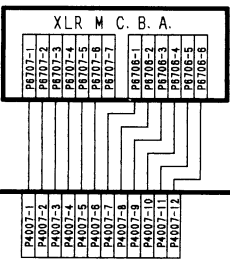
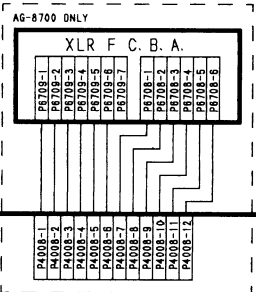


# INTERCONNECTION SCHEMATIC DIAGRAM

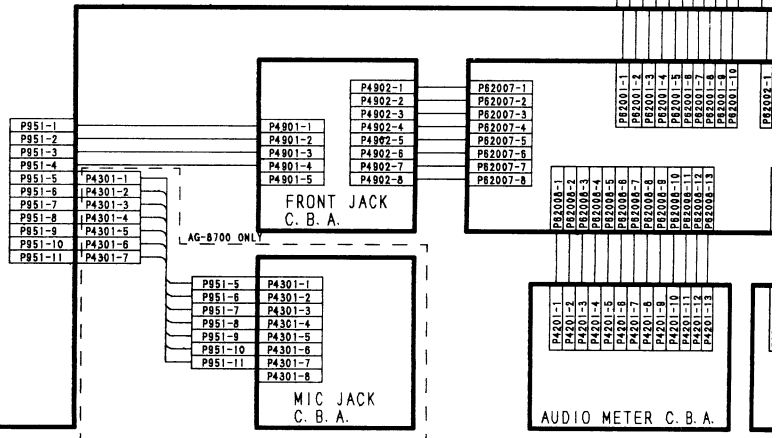


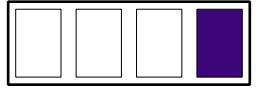
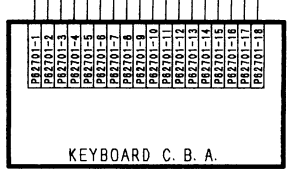
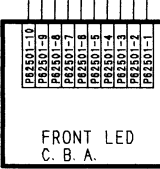
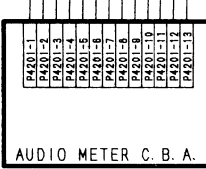
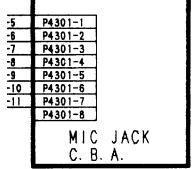
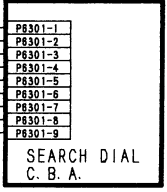
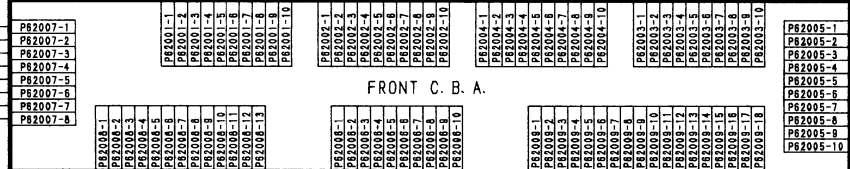
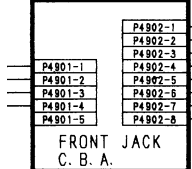
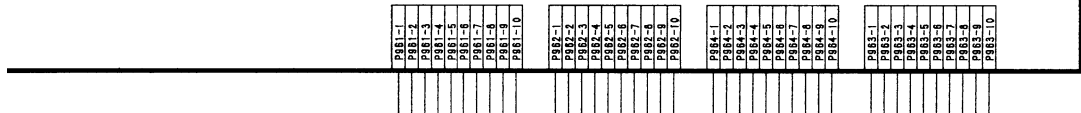
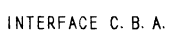
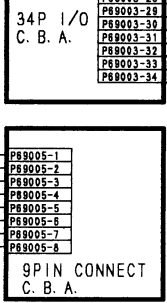
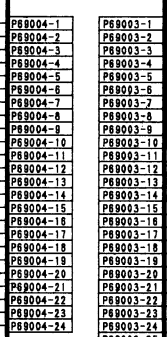
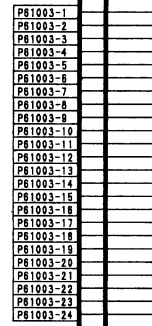
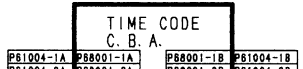
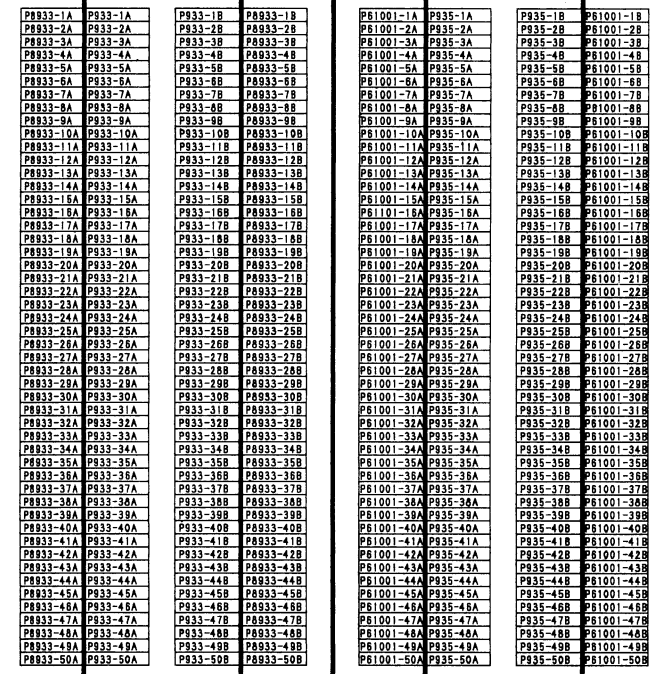
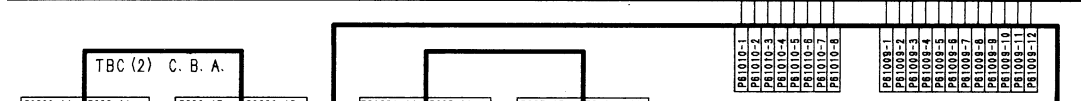
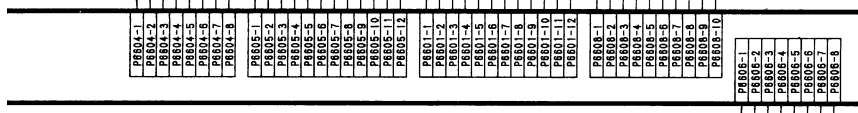
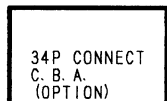
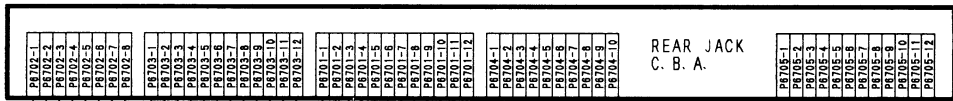






MOTHER C. B. A.





## NOTES

1. ● Be sure to make your orders of replacement parts according to this list.
  - "<R>" in Remark column indicates recommended parts.
  - "<M>" in Remark column indicates needed in the periodical maintenance.
2. **IMPORTANT SAFETY NOTICE**  
 Components indentified by "<!>" have special characteristics important for safety. When replacing any of these components, use only the original ones.  
 Meaning of symbol "<!>" on this parts list is exactly the same as synbol  $\triangle$  on Schematic and Circuit Board Diagrams.
3. Unless otherwise specified;
  - All resistors are in ( $\Omega$ ), K=1,000 $\Omega$ , M=1,000k $\Omega$ .
  - All capacitors are in (F), U=10 F, P=10 F.
4. **ITEM NUMBERS WITH CAPITAL LETTER E**  
 Item numbers with capital letter E (Example: E1, E2, ..... ) in Ref. no. column mean that the parts are listed with the E item numbers in the exploded views.
5. The main assembled parts are shown below C.B.A. marked with "■".
6. When ordering parts, use parts No. only form Part No. column.
7. Printed circuit board assembly with mark (RTL) is no longer available after discontinuation of the product.
8. Abbreviations for parts;

NAME	DESCRIPTION
C.CAPACITOR	CERAMIC CAPACITOR
C.CAPACITOR CH	CERAMIC CHIP CAPACITOR
E.CAPACITOR	ELECTROLYTIC CAPACITOR
G.CAPACITOR	GLASS CAPACITOR
M.CAPACITOR	MICA CAPACITOR
P.CAPACITOR	PLASTIC FILM CAPACITOR
S.CAPACITOR	SEMI-CONDUCTOR CAPACITOR
T.CAPACITOR	TANTALUM CAPACITOR
TRIMMER	TRIMMER
C.RESISTOR	CARBON RESISTOR
F.RESISTOR	FUSE RESISTOR
M.RESISTOR	METAL OXSIDE RESISTOR
M.RESISTOR CH	METAL OXSIDE CHIP RESISTOR
S.RESISTOR	SOLID RESISTOR
V.RESISTOR	VARIABLE RESISTOR
W.RESISTOR	WIRE WOUND RESISTOR
COMBI. TR-R	TRANSISTOR-RESISTOR COMBINATION PARTS
COMBI. R-R	RESISTOR-RESISTOR COMBINATION PARTS
COMBI. C-R-L	CAPACITOR-COIL COMBINATION PARTS
C.B.A.	CIRCUIT BOARD ASSEMBLY

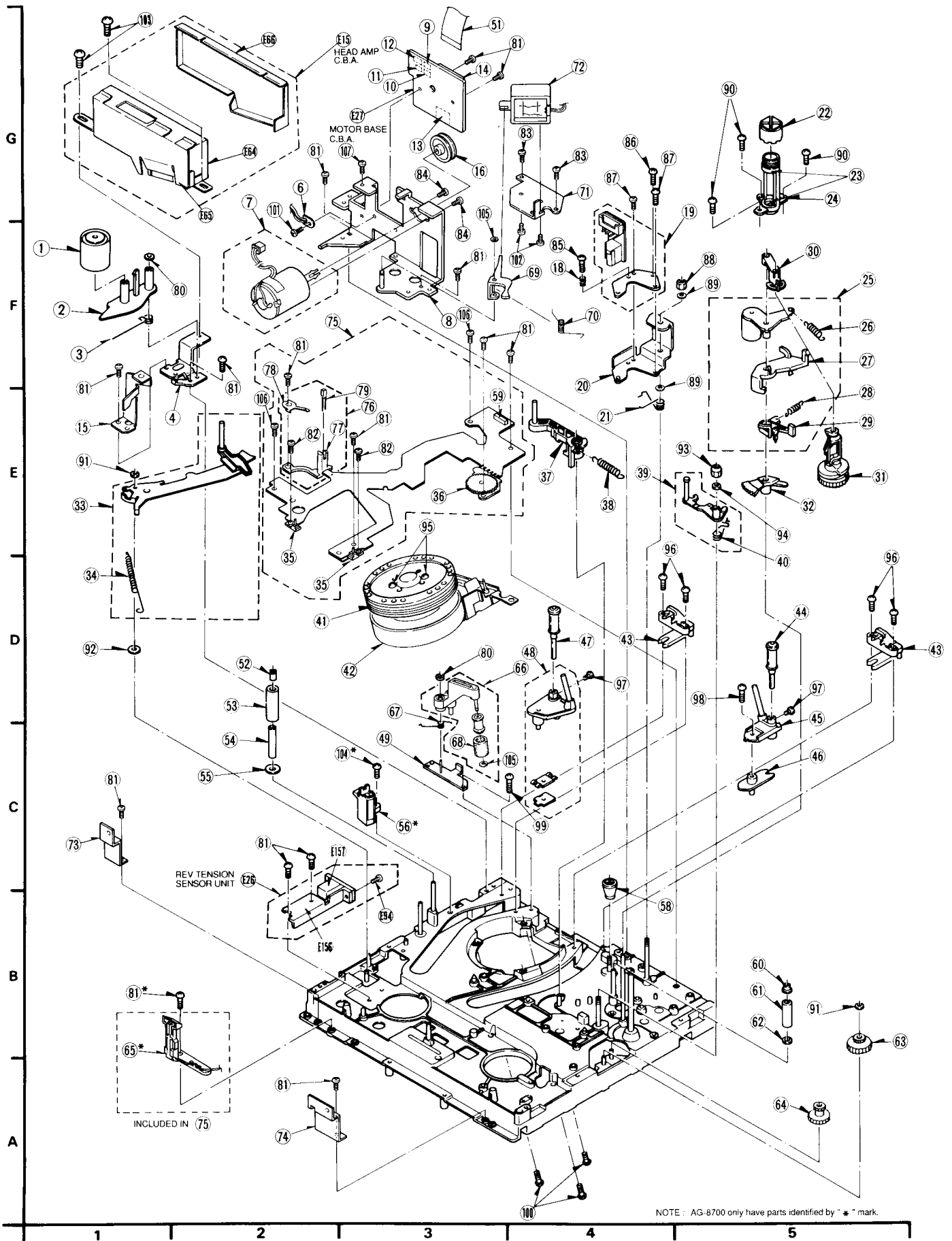
## SERVICING FIXTURE & TOOLS LIST

Ref. No.	Part No.	Part Name & Description	Pcs	Remarks
	VFM8180HADH	VHS ALIGNMENT TAPE	1	
	VFK0329	POST ADJ. SCREWDRIVER	1	
	VFK0132	BACK TENSION METER (TENVELO METER, MADE IN U.S.A)	1	(T2-H7-UM)
	VFK1012	POST ADJ. PLATE	1	
	VFK0133	DIAL TORQUE GAUGE	1	
	VFK0180	PLASTIC CLAMPER	1	
	VFK0134	ADAPTOR	1	FOR VFK0133
	VFK0190	REEL TABLE HEIGHT GAUGE	1	
	VFK0236	TENSION POST ADJ. FIXTURE	1	
	VFK0806	TENSION SENSOR ADJ. FIXTURE	1	
	VFK0328	H-POSITION ADJ. SCREWDRIVER	1	
	VFK0330	FINE ADJ. SCREWDRIVER (3mm)	1	

Ref. No.	Part No.	Part Name & Description	Pcs	Remarks
	VFK0335	RETAINING RING REMOVER	1	(3mm / 4mm)
	VFK0326	HEX WRENCH SET	1	
	VFK0948	CHECK LIGHT	1	
	MOR265	MOLYBENE GREASE	1	
	VFK0680	S.C.R. GREASE	1	
	VFK27	HEAD CREAMING STICK	1	
	VFK0269	L-TYPE SCREWDRIVER	1	
	VFK66	FAN TYPE TENSION GAUGE	1	
	VFK0941	EXTENDER BOARD 100 P	1	
	VFK0829	EXTENDER BOARD 64 P	1	
	VFK0942	EXTENDER CODE 13 P	1	
	VFK0685	EXTENDER CODE 40 P	1	

# EXPLODED VIEWS

## 1 Chassis Parts Section



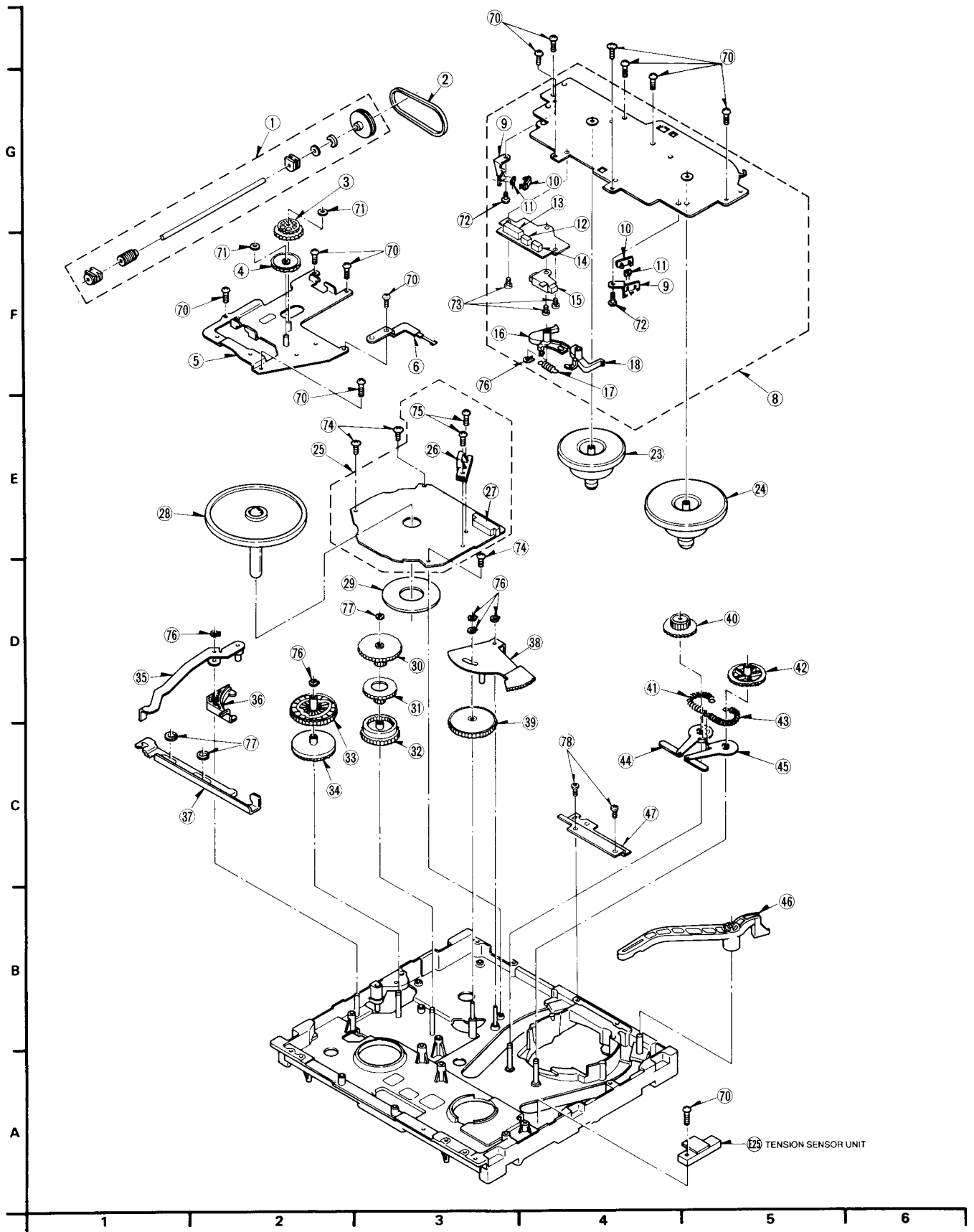
# MECHANICAL REPLACEMENT PARTS LIST

## 1. Chassis Parts Section

Ref.No.	Part No.	Part Name & Description	Pcs	Remarks	Ref.No.	Part No.	Part Name & Description	Pcs	Remarks
1-1	VXP1075	IMPEDANCE ROLLER UNIT	1		1-75	VXA5308	BEND FLEXIBLE UNIT	1	AG-8600E
1-2	VML2293	IMPEDANCE ROLLER ARM	1		1-76	VXA3520	LED UNIT	1	
1-3	VMB1976	IMPEDANCE SPRING	1		1-77	VMD0911	LED HOLDER	1	
1-4	VMA7982	HEAD AMP ANGLE (L)	1		1-78	VMB2020	EARTH SPRING	1	
1-6	VEK3185	HUMIDITY RESISTOR UNIT	1		1-79	GL450	LED	1	
1-7	VEM0360	LOADING MOTOR UNIT	1	<1>	1-80	VMX1079	CUT WASHER	2	
1-8	VXA5151	MOTOR BASE (1) UNIT	1		1-81	XTV26+6F	SCREW	15	(14):AG-8600E
1-9	VJP1229G	CONNECTOR (2P)	1		1-82	XTV2+4F	SCREW	2	
1-10	VJP1229T	CONNECTOR (2P)	1		1-83	XYN26+K5	SCREW	2	
1-11	VJP1229R	CONNECTOR (2P)	1		1-84	XSN3+3.5	SCREW	2	
1-12	VJP1230R	CONNECTOR (3P)	1		1-85	VHD0322	SCREW	1	
1-13	VJP3106B013	CONNECTOR (13P)	1		1-86	VHD0089B	SCREW	1	
1-14	VJS1493	CONNECTOR (15P)	1		1-87	XSN306FZ	SCREW	2	
1-15	VMA8130	IMPEDANCE ROLLER SUPPORT ANGLE	1		1-88	VHN0063	M4 NYLON NUT	1	
1-16	VDP1319	MOTOR PULLEY	1		1-89	XWE4	M4 NYLON WASHER	2	
1-18	VMB1251	ADJUST SPRING	1		1-90	VHD0374	SCREW	3	
1-19	VED0145	A/C HEAD (1) UNIT	1	AG-8700E	1-91	VMX0653	CUT WASHER	2	
1-19	VED0116	A/C HEAD (1) UNIT	1	AG-8600E	1-92	XWGV306G	POLLY SLIDER WASHER	1	
1-20	VXA3649	A/C HEAD BASE UNIT	1		1-93	VHD0045	M3 NYLON NUT	1	
1-21	VMB1567	A/C HEIGHT SPRING	1		1-94	XWE3VW	M3 WASHER	1	
1-22	VXQ0094	THRUST SCREW UNIT	1		1-95	VHD0425	SCREW	2	
1-23	VMX1567	OIL SEAL	2		1-96	XTV26+10F	SCREW	4	
1-24	VXD0120	HOUSING UNIT	1		1-97	VHD0133	SCREW	2	
1-25	VXL2367	PRESSURE ROLLER UNIT	1		1-98	XYN26+F6FZ	SCREW	1	
1-26	VMB1977	PINCH PRESSURE SPRING	1		1-99	XTN3+6F	SCREW	1	
1-27	VXL2368	PINCH PRESSURE ARM	1		1-100	VHD0342	SCREW	3	
1-28	VMB1569	PINCH ARM SPRING	1		1-101	XTV2+6J	SCREW	1	
1-29	VML1874	PINCH LIFT ARM	1		1-102	XYN26+C4	SCREW	2	
1-30	VMX1353	PINCH CAM ARM	1		1-103	XTW3+8TR	SCREW	2	
1-31	VDG0577	PINCH CAM	1		1-104	XTV26+8F	SCREW	1	AG-8700E ONLY
1-32	VDG0651	PINCH SECTOR GEAR	1		1-105	VMX0653	CUT WASHER	11	
1-33	VXL2089	TENSION ARM UNIT	1		1-106	XTV26+4F	SCREW	2	
1-34	VMB1975	TENSION SPRING	1		1-107	XYE3+EFBR	SCREW	1	
1-35	VSP0293	CASSETTE DETECT SW	2						
1-36	VSS0257	MODE SWITCH	1						
1-37	VXL1857	SUB LOADING ARM (1) UNIT	1						
1-38	VMB1566	SUB POST SPRING	1						
1-39	VXL2074	P5 ARM UNIT	1						
1-40	VMB1554	P5 SPRING	1						
1-41	VEH0687	UPPER CYLINDER UNIT	1	AG-8700E					
1-41	VEH0719	UPPER CYLINDER UNIT	1	AG-8600E					
1-42	VEG1109	LOWER CYLINDER UNIT	1						
1-43	VMD0910	POST STOPPER	2						
1-44	VXP1264	ROLLER POST (1) UNIT	1						
1-45	VXA3213	INCLINED BASE (T)(1) UNIT	1						
1-46	VXA2687	INCLINED ADJUSTMENT PLATE U	1						
1-47	VXP1263	ROLLER POST (S) UNIT	1						
1-48	VXA3249KIT	INCLINED BASE (S)	1						
1-49	VXA3980	HEAD CLEANING PLATE	1						
1-51	VMJ15AW280M0	FLEXIBLE CABLE	1						
1-52	VMX1088	SUPPLY UPPER LIMITER	1						
1-53	VDP1533	SUPPLY ROLLER	1						
1-54	VMX1581	P1 COLLAR	1						
1-55	VMX1533	SUPPLY LOWER LIMITER	1						
1-56	VBS0038	FE HEAD	1	AG-8700E ONLY					
1-58	VHN0110	ADJUST NUT	1						
1-59	VJS2964A013	CONNECTOR (15P)	1						
1-60	VMX1544	P4 UPPER LIMITER	1						
1-61	VMX1568	P4 SLEEVE	1						
1-62	VMX1534	P4 LOWER LIMITER	1						
1-63	VDG0664	CONNECTION GEAR	1						
1-64	VDG0483	PINCH SPEED DOWN GEAR	1						
1-65	VES0489	SAFETY SWITCH	1	AG-8700E ONLY					
1-66	VXL2263	HEAD CLEANING UNIT	1						
1-67	VMB2532	CLEANING SPRING	1						
1-68	VMT0321	HEAD CLEANING PAD	1						
1-69	VML2845	CAM LEVER	1						
1-70	VMB2672	CAM LEVER SPRING	1						
1-71	VMA8977	SOLENOID BASE	1						
1-72	VJS0111	PINCH SOLENOID	1						
1-73	VMA6895	MOUNT PLATE (L)	1						
1-74	VMA6896	MOUNT PLATE (R)	1						
1-75	VXA5165	BEND FLEXIBLE UNIT	1	AG-8700E					



## ② Moving Parts Section



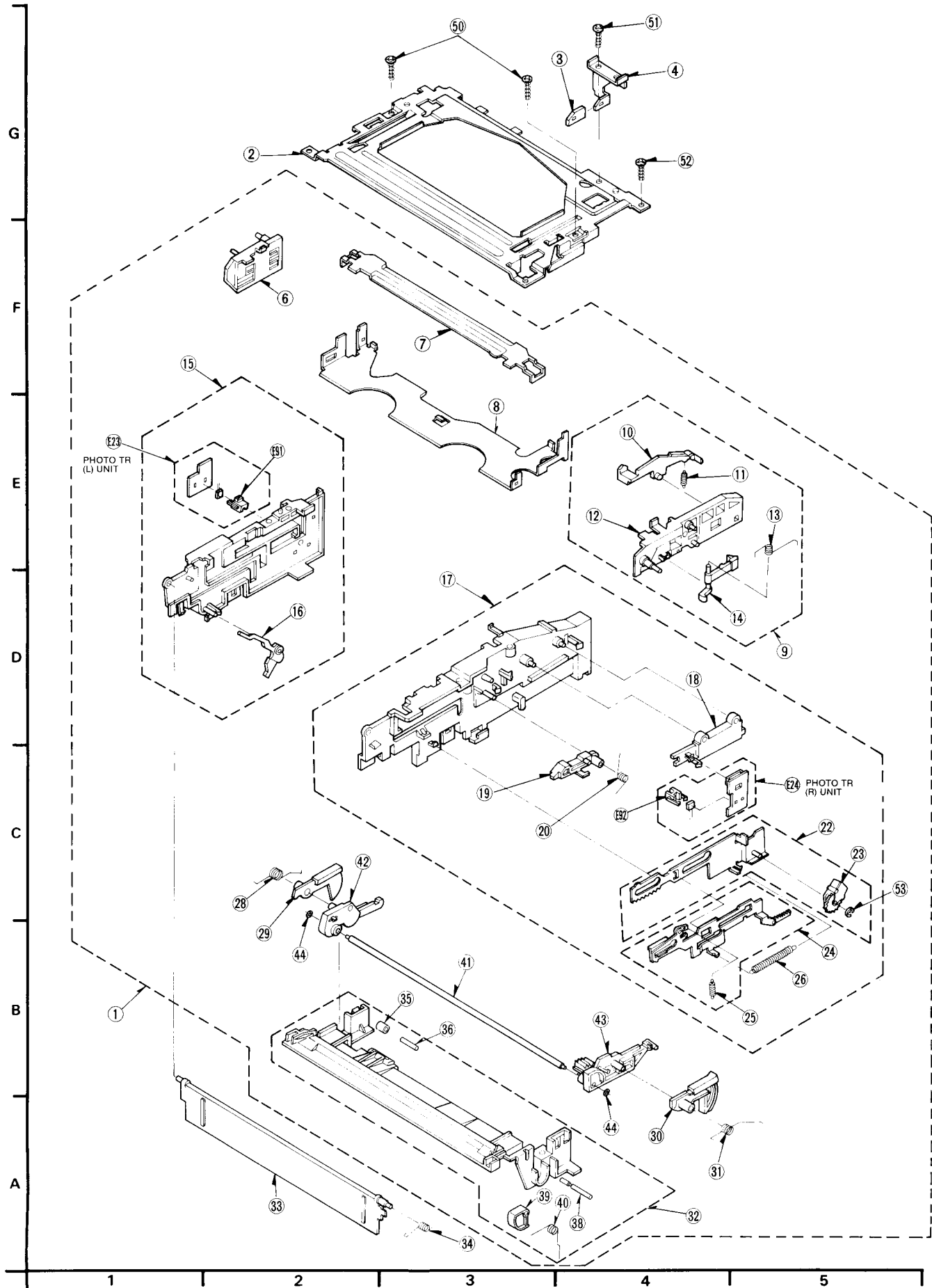
## 2. Moving Parts Section

## 3. Cassette Compartment Section

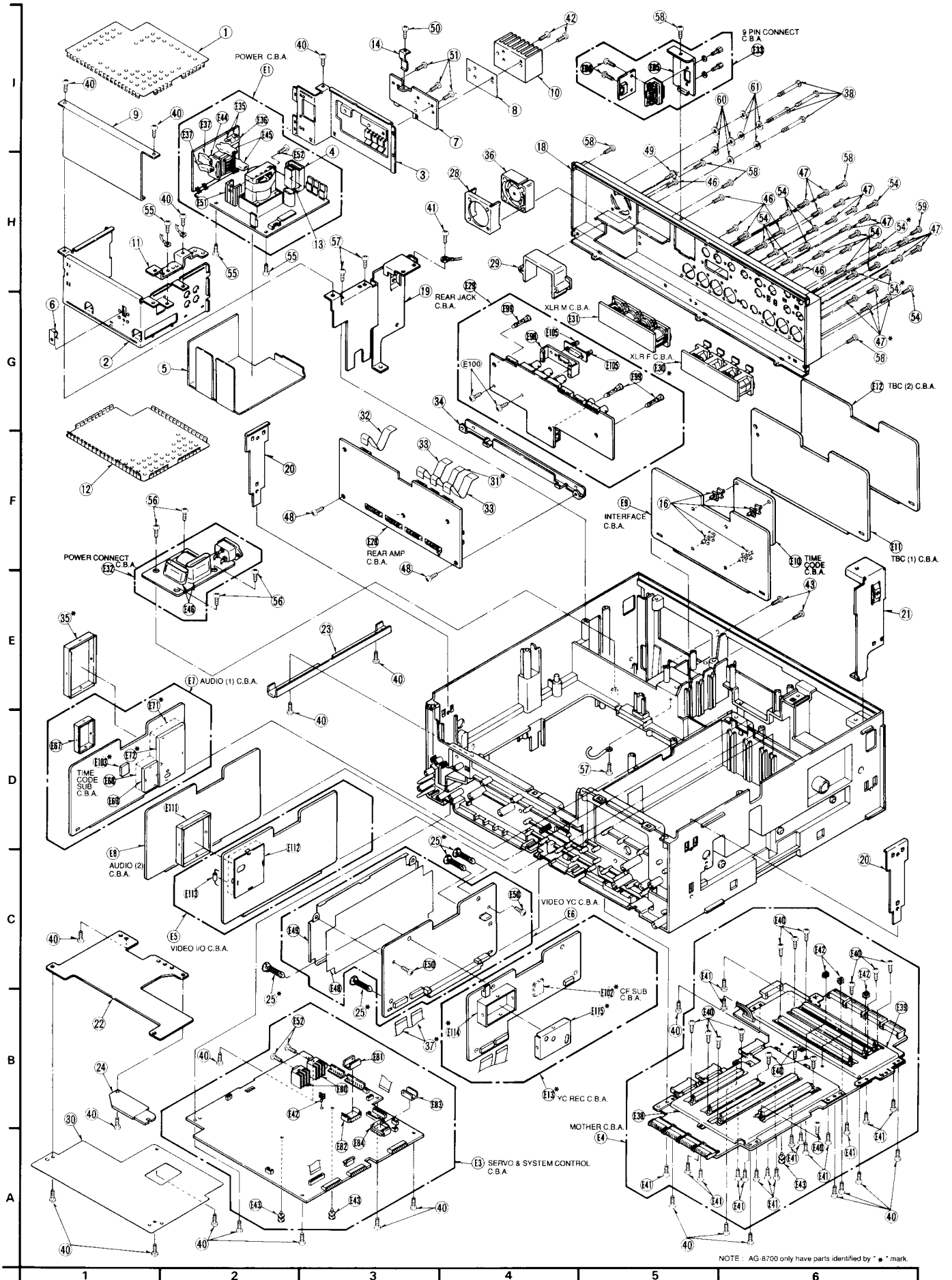
Ref.No.	Part No.	Part Name & Description	Pcs	Remarks
2-1	VXP1082	WORM SHAFT UNIT	1	
2-2	VDV0228	LOADING BELT	1	
2-3	VDG0581	WORM WHEEL	1	
2-4	VDG0582	INTERMEDIATE GEAR	1	
2-5	VXA3646	GEAR BASE (1) UNIT	1	
2-6	VXS0098	EARTH SPRING UNIT	1	
2-8	VXA4839	STATOR BASE UNIT	1	
2-9	VMD0611	FG SUPPORT (1)	2	
2-10	VMD0621	FG SUPPORT (2)	2	
2-11	HW-300B	HOLE IC	2	
2-12	VJP1230R	CONNECTOR (3P)	1	
2-13	VJP3202A008Z	CONNECTOR (8P)	1	
2-14	VJP1230T	CONNECTOR (3P)	1	
2-15	VSJ0066	SOLENOID	1	
2-16	VXZ0270	MAIN BRAKE (S) UNIT	1	
2-17	VMB1978	BRAKE SPRING	1	
2-18	VXZ0314	MAIN BLAKE (T) UNIT	1	
2-23	VXR0187	TAKEUP REEL TABLE UNIT	1	
2-24	VXR0225	SUPPLY REEL TABLE UNIT	1	
2-25	VEK6553	STATOR UNIT	1	
2-26	VBK0063	MR HEAD	1	
2-27	VJP1902	CONNECTOR	1	
2-28	VXP1456	ROTOR UNIT	1	<1>
2-29	VMA6847	SUB PLATE	1	
2-30	VDG0580	CENTER GEAR	1	
2-31	VXP0878	RETAINER GEAR UNIT	1	
2-32	VDG0342	RING GEAR	1	
2-33	VDG0578	MAIN CAM GEAR	1	
2-34	VDG0343	SUB CAM GEAR	1	
2-35	VXL1895	CAM FOLLOWER ARM UNIT	1	
2-36	VML1861	DETENT ARM	1	
2-37	VMM0218	MAIN ROD	1	
2-38	VXA3144	SECTOR GEAR UNIT	1	
2-39	VDG0579	LOADING CAM GEAR	1	
2-40	VDG0420	LOADING GEAR (T)	1	
2-41	VMB1555	LOADING SPRING (T)	1	
2-42	VDG0593	LOADING GEAR (S)	1	
2-43	VMB1746	LOADING SPRING (S)	1	
2-44	VXL1489	LOADING ARM (T)(1) UNIT	1	
2-45	VXL1487	LOADING ARM (S)(1) UNIT	1	
2-46	VML2304	CLEANING ROD	1	
2-47	VMA8003	MOUNT PLATE (B)	1	
2-70	XTV26+6F	SCREW	12	
2-71	VMX0653	CUT WASHER	2	
2-72	XYN2+F5	SCREW	2	
2-73	XSN26+4	SCREW	3	
2-74	XYEV0004	SCREW	3	
2-75	XYNV0015	SCREW	2	
2-76	XUEV3W	CAT WASHER	6	
2-77	VMX1079	CUT WASHER	3	
2-78	XTV3+8F	SCREW	2	

Ref.No.	Part No.	Part Name & Description	Pcs	Remarks
3-1	VXA4504	CASSETTE COMPARTMENT UNIT	1	
3-2	VMA8166	TOP PLATE	1	
3-3	VMD1384	CASSETTE HOLDER CAP	1	
3-4	VMA7992	CASSETTE HOLDER ANGLE	1	
3-6	VMD1387	HOLDER GUIDE (L)	1	
3-7	VXA3691	HOLDER ANGLE UNIT	1	
3-8	VMA7989	CASSETTE HOLDER	1	
3-9	VXA3692	HOLDER GUIDE (R) UNIT	1	
3-10	VML1882	DOOR OPEN LEVER	1	
3-11	VMB1584	DOOR OPEN LEVER SPRING	1	
3-12	VMD1386	HOLDER GUIDE (R)	1	
3-13	VMB2063	RELEASE SPRING	1	
3-14	VML2306	RELEASE LEVER	1	
3-15	VXA3694	SIDE PLATE (L) UNIT	1	
3-16	VML2305	OPENER LEVER	1	
3-17	VXA3693	SIDE PLATE (R) UNIT	1	
3-18	VSS0258	SLIDE SWITCH	1	
3-19	VML2288	DOWN SUPPORT LEVER	1	
3-20	VMB1961	DOWN SUPPORT SPRING	1	
3-22	VXA3696	MAIN RACK UNIT	1	
3-23	VDG0737	DAMPER	1	
3-24	VXA3697	SUB RACK UNIT	1	
3-25	VMB1780	RACK C SPRING	1	
3-26	VMB1997	CLUTCH SPRING	1	
3-28	VMB1999	SUB WIPER SPRING (L)	1	
3-29	VML1878	SUB WIPER ARM (L)	1	
3-30	VML1879	SUB WIPER ARM (R)	1	
3-31	VMB1998	SUB WIPER SPRING (R)	1	
3-32	VXA4500	CASSETTE GUIDE UNIT	1	
3-33	VKF1464	BLINDER PANEL	1	
3-34	VMB1258	BLINDER SPRING	1	
3-35	VDP1398	CASSETTE ROLLER	1	
3-36	VMS5505	ROLLER SHAFT	1	
3-38	VMS4644	SHAFT	1	
3-39	VMD1773	CASSETTE SUPPORT	1	
3-40	VMB2329	SUPPORT SPRING	1	
3-41	VMS3182	MAIN SHAFT	1	
3-42	VML1876	WIPER ARM (L)	1	
3-43	VML1877	WIPER ARM (R)	1	
3-44	VHM0068	STOPPING WASHER	2	
3-50	XTV26+8G	SCREW	2	
3-51	XTV26+6F	SCREW	1	
3-52	XTV3+8G	SCREW	1	
3-53	XUC25FP	E RING	1	

### 3 Cassette Compartment Section



# 4 Chassis & Frame Section



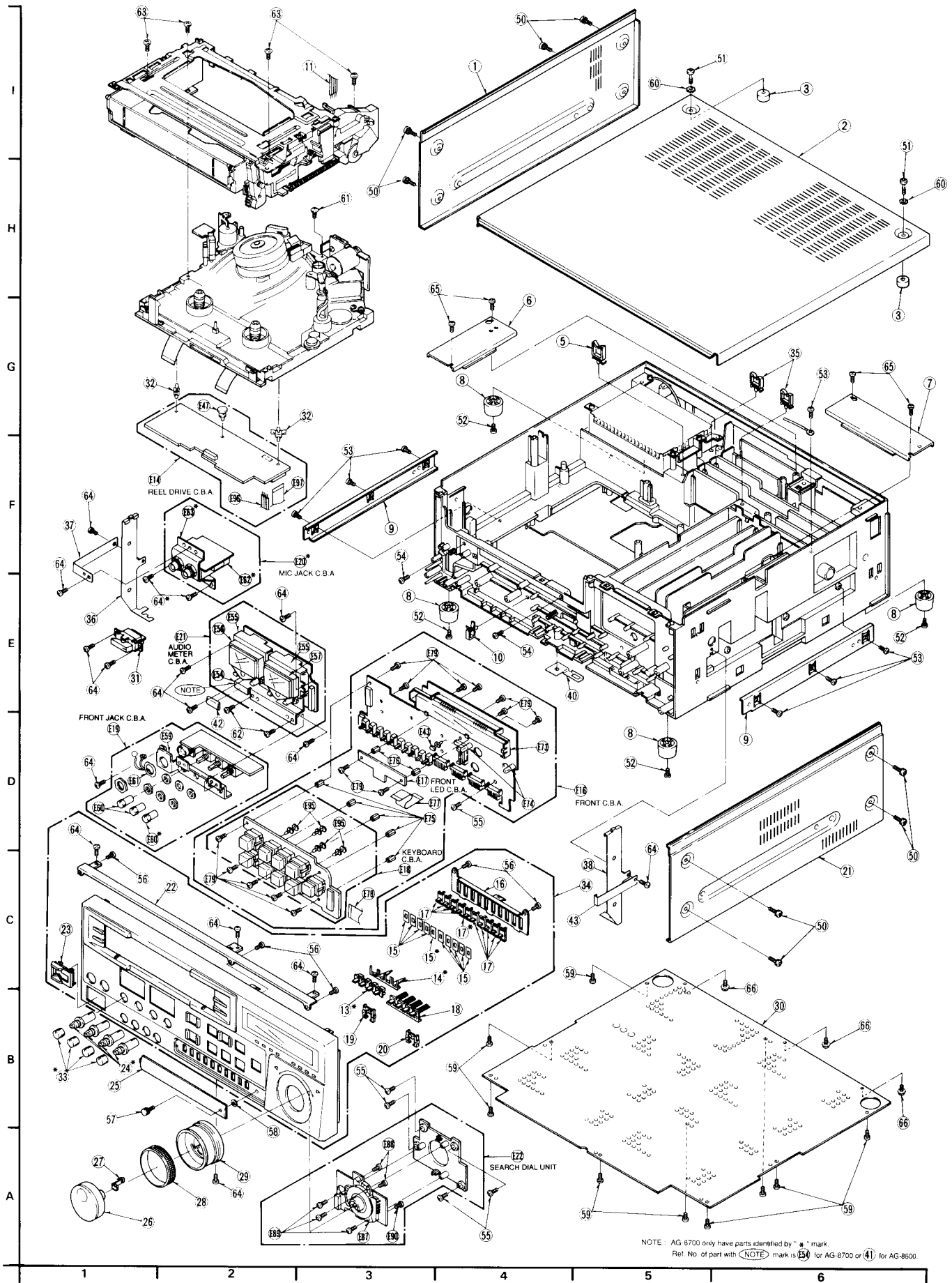
NOTE: AG-8700 only have parts identified by \* \* mark.

### 4. Chassis & Frame Section

### 5. Casing Parts Section

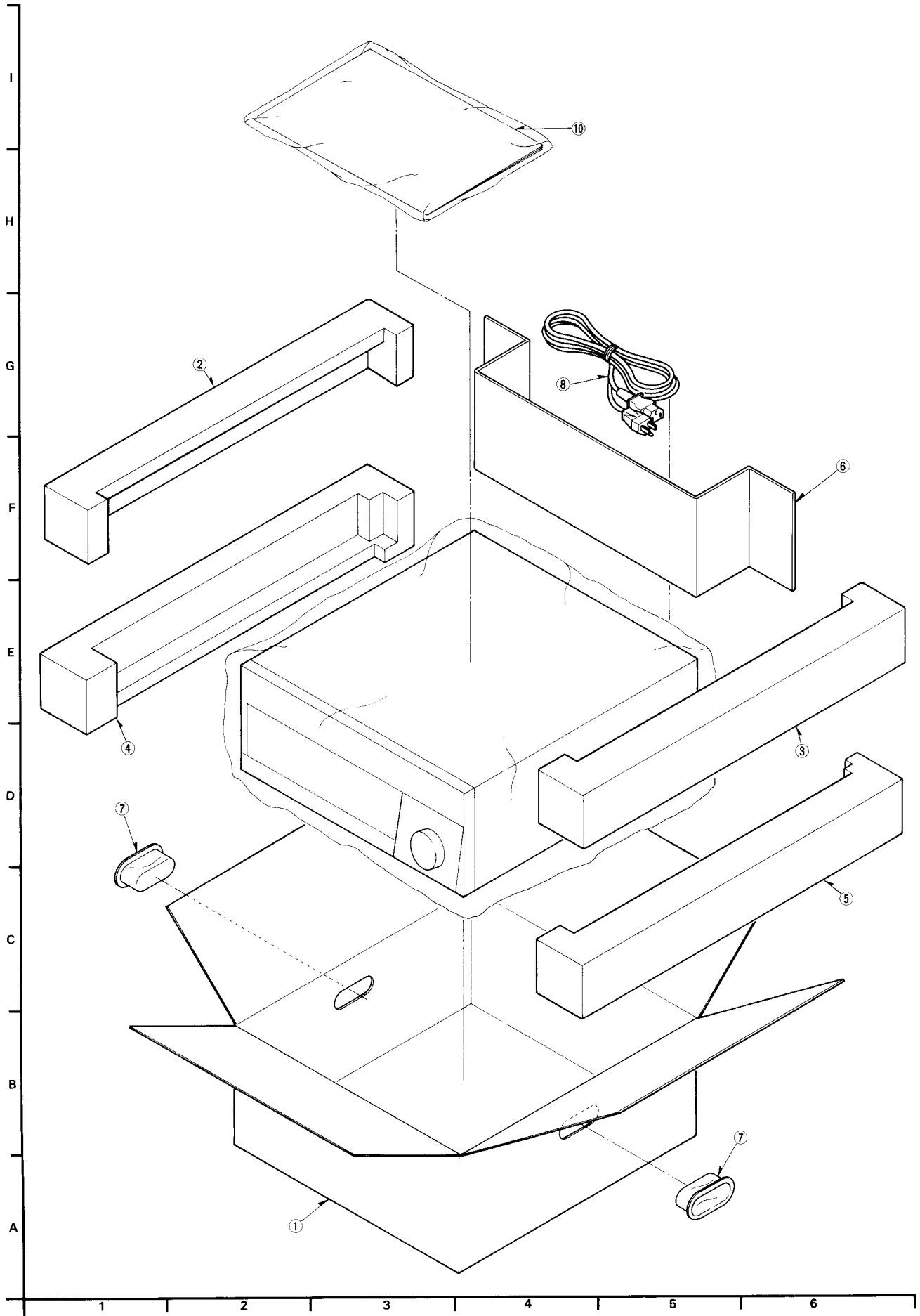
Ref.No.	Part No.	Part Name & Description	Pcs	Remarks	Ref.No.	Part No.	Part Name & Description	Pcs	Remarks
4-1	VSC3961	POWER UNIT SHIELD CASE (UPPER)	1		5-1	VGM1048	SIDE PANEL (LEFT)	1	
4-2	VSC3963	POWER SHIELD CASE (MIDDLE (A))	1		5-2	VGM1047	TOP PANEL	1	
4-3	VSC3964	POWER SHIELD CASE (MIDDLE (B))	1		5-3	VMX2248	TOP PANEL SPACER	2	
4-4	VWZ0106	INSULATION TUBE	1		5-5	VJF0004	MINI CLAMPER	1	
4-5	VMZ2224	INSULATION SHEET	1	<1>	5-6	VMP4225	C.B. HOLDER (1)	1	
4-6	VMC0357	TR SPRING	1		5-7	VMP4226	C.B. HOLDER (2)	1	
4-7	VSC3965	POWER SHIELD PLATE	1		5-8	WKA0117	RUBBER FOOT	4	
4-8	VMT0534	INSULATION SHEET	1		5-9	VXA4551	SUPPORT ANGLE UNIT	2	
4-9	VSC4195	POWER SHIELD SHEET	1		5-10	VJF0013	MINI CLAMPER	1	
4-10	VSC3966	HEAT SINK	1		5-11	VWJ04CN150CA	FLAT CABLE	1	
4-11	VMP2669	POWER EARTH ANGLE	1		5-13	VGU6485	OPERATION BUTTON	4	AG-8700E ONLY
4-12	VSC3962	POWER SHIELD CASE (LOWER)	1		5-14	VKC0423	OPERATION BUTTON HOLDER	1	AG-8600E ONLY
4-13	VMZ2187	INSULATION TUBE	1	<1>	5-15	VGF0508	SLIDE KNOB SHEET	9	(8):AG-8600E
4-14	VMP3083	TR HOLDER	1		5-16	VMP3226	KNOB HOLD ANGLE	1	
4-16	VJH0632	C.B. HOLDER	4		5-17	VGU5603	SLIDE KNOB	9	(8):AG-8600E
4-18	VJH0934	REAR JACK PLATE	1	<1>AG-8700E	5-18	VGU6483	COUNTER BUTTON	1	
4-18	VJH0935	REAR JACK PLATE	1	<1>AG-8600E	5-19	VGL0508	REV. PANELIGHT	1	
4-19	VMP3221	TOP ANGLE (LEFT)	1	<1>	5-20	VGL0506	FND PANELIGHT	1	
4-20	VXA4649	SIDE ANGLE UNIT	2		5-21	VGM1049	SIDE PANEL (RIGHT)	1	
4-21	VMP3222	TOP ANGLE (RIGHT)	1		5-22	VMP3225	FRONT SUPPORT ANGLE	1	
4-22	VMP3216	MECHANISM SHIELD PLATE	1		5-23	VKW1501	POWER SWITCH COVER	1	
4-23	VMP3232	POWER CORD SHIELD ANGLE	1		5-24	VGU4482	VR KNOB	4	AG-8700E ONLY
4-24	VMP3750	SUPPORT ANGLE	1		5-25	VKW1839	OPERATION AREA COVER	1	
4-25	VMX2078	P.C.B. HOLDER	4	AG-8700E ONLY	5-26	VGU4604	JOG DIAL KNOB	1	
4-28	VMP4230	FAN MOTOR ANGLE	1		5-27	VMC0444	KNOB SPRING	1	
4-29	VGF0507	AC INLET GUARD	1		5-28	VMG0476	SEARCH DIAL RUBBER	1	
4-30	VSC4186	MECHANISM SHIELD SHEET	1		5-29	VGU4605	SEARCH DIAL KNOB	1	
4-31	VWJ08AW070MO	FLEXIBLE CABLE	1		5-30	VKM3678	BOTTOM PLATE	1	
4-32	VWJ10AW070MO	FLEXIBLE CABLE	1		5-31	VES0698	POWER SWITCH UNIT	1	<1>
4-33	VWJ12AW070MO	FLEXIBLE CABLE	2		5-32	VJF0726	C.B. SUPPORT	2	
4-34	VMP4224	REAR AMP ANGLE	1		5-33	VMG0477	VR KNOB CAP	4	AG-8700E ONLY
4-35	VSC3970	SHIELD COVER (UPPER)	1	AG-8700E ONLY	5-34	VYP6043	FRONT PANEL UNIT	1	AG-8700E
4-36	VRF0085	FAN MOTOR	1		5-34	VYP6044	FRONT PANEL UNIT	1	AG-8600E
4-37	VWJ18XW040LO	FLEXIBLE CABLE	2	AG-8700E ONLY	5-35	VJF0004	MINI CLAMPER	2	
4-38	VHD0856	SCREW	4		5-36	VMP3648	EARTH PLATE (LEFT)	1	
4-40	XTV3+10JFR	SCREW	23		5-37	VMP3650	MIC EARTH PLATE	1	
4-41	XYE4+EF6	SCREW	1		5-38	VMP3649	EARTH PLATE (RIGHT)	1	
4-42	XYN26+C12FZ	SCREW	2		5-39	VMC1039	FRONT EARTH SPRING	2	
4-43	XSB3+10FZ	SCREW	2		5-40	VSC4094	SHIELD PLATE	1	
4-43	XSB3+10FZ	SCREW	2		5-41	VMP3282	METER ANGLE	1	
4-46	XTV3+8GFZ	SCREW	6	(5):AG-8600E	5-42	VMT0509	CONDUCTIVE CUSHION	1	
4-47	XSN26+6FZ	SCREW	16	(8):AG-8600E	5-43	VMP4424	EARTH PLATE HOLDER	1	
4-48	XTV3+8FFR	SCREW	2		5-50	VHD0426	SCREW	8	
4-49	VHD0426	SCREW	1		5-51	VHD0222	SCREW	2	
4-50	XYN3+C8	SCREW	1		5-52	XTV3+16G	SCREW	4	
4-51	XTS3+8F	SCREW	3		5-53	XTV3+10J	SCREW	7	
4-54	XTV3+8FFZ	SCREW	15	(12):AG-8600E	5-54	XTV4+8F	SCREW	2	
4-55	XYE3+EF8FR	SCREW	4		5-55	XTV4+10JFR	SCREW	5	
4-56	XTW3+10TFR	SCREW	4		5-56	XTV3+8J	SCREW	5	
4-57	XTV3+10J	SCREW	3		5-57	VHD0679	SCREW	1	
4-58	XYE3+EF8FZ	SCREW	6		5-58	VMX1558	STOPPING WASHER	1	
4-59	XYE3+EF12FZ	SCREW	1		5-59	VHD0059	SCREW	9	
4-60	XWA35BFZ	WASHER	4		5-60	XWC4BFY	WASHER (M)	2	
4-61	XWE35FZ	WASHER	4		5-61	XTV4+12J	SCREW	1	
					5-62	XTV3+8F	SCREW	2	
					5-63	XTV26+8FR	SCREW	4	
					5-64	XTV3+10JFR	SCREW	16	(14):AG-8600E
					5-65	XYN3+8FR	SCREW	4	
					5-66	XYE3+EF6	SCREW	3	

# 5 Casing Parts Section



NOTE: AG-8700 only have parts identified by \* mark  
 Ref. No. of part with (NOTE) mark is (54) for AG-8700 or (41) for AG-8500.

# ⑥ Packing Parts Section







# ELECTRICAL REPLACEMENT PARTS LIST

Ref.No.	Part No.	Part Name & Description	Pcs	Remarks	Ref.No.	Part No.	Part Name & Description	Pcs	Remarks
E9	VEP06903D	P.C.BOARD INTERFACE	1	(RTL)<R>	E17	VEP06929A	P.C.BOARD FRONT LED	1	(RTL)<R> FOR VEP06902H
E10	VEP06913F	P.C.BOARD TIME CODE	1	(RTL)<R> AG-8700E	E18	VEP06962A	P.C.BOARD KEY BOARD	1	(RTL)<R> FOR VEP06902H
E10	VEP06913G	P.C.BOARD TIME CODE	1	(RTL)<R> AG-8600E	E16	VEP06902G	P.C.BOARD FRONT	1	(RTL)<R> AG-8600E
E13	VEP03B42B	P.C.BOARD YC REC	1	(RTL)<R> AG-8700E	E17	VEP06929B	P.C.BOARD FRONT LED	1	(RTL)<R> FOR VEP06902G
E6	VEP03B44C	P.C.BOARD VIDEO YC	1	(RTL)<R> AG-8700E	E18	VEP06962B	P.C.BOARD KEY BOARD	1	(RTL)<R> FOR VEP06902G
E6	VEP03B44D	P.C.BOARD VIDEO YC	1	(RTL)<R> AG-8600E	E3	VEP06904E	P.C.BOARD SERVO & SYSCON	1	(RTL)<R> AG-8700E
E21	VEP04328A	P.C.BOARD AUDIO METER	1	(RTL)<R> AG-8700E	E3	VEP06904F	P.C.BOARD SERVO & SYSCON	1	(RTL)<R> AG-8600E
E21	VEP04328B	P.C.BOARD AUDIO METER	1	(RTL)<R> AG-8600E	E12	VEP08160B	P.C.BOARD TBC (2)	1	(RTL)<R>
E19	VEP04418C	P.C.BOARD FRONT JACK	1	(RTL)<R> AG-8700E	E11	VEP08179A	P.C.BOARD TBC (1)	1	(RTL)<R>
E19	VEP04418D	P.C.BOARD FRONT JACK	1	(RTL)<R> AG-8600E	E30	VEP04424A	P.C.BOARD XLR M	1	(RTL)<R>
E1	VEP01609B	P.C.BOARD POWER	1	(RTL)<R>	E31	VEP04425A	P.C.BOARD XLR F	1	(RTL)<R> AG-8700E ONLY
E4	VEP00V07C	P.C.BOARD MOTHER	1	(RTL)<R> AG-8700E	E33	VEP06906A	P.C.BOARD 9P CONNECT	1	(RTL)<R>
E4	VEP00V07D	P.C.BOARD MOTHER	1	(RTL)<R> AG-8600E	E28	VEP06908E	P.C.BOARD REAR AMP	1	(RTL)<R> AG-8700E
E32	VEP01478C	P.C.BOARD POWER CONNECT	1	(RTL)<R>	E28	VEP06908F	P.C.BOARD REAR AMP	1	(RTL)<R> AG-8600E
E14	VEP02417B	P.C.BOARD REEL DRIVE	1	(RTL)<R>	E29	VEP06909A	P.C.BOARD REAR JACK	1	(RTL)<R> AG-8700E
E5	VEP03B43C	P.C.BOARD VIDEO I/O	1	(RTL)<R> AG-8700E	E29	VEP06909B	P.C.BOARD REAR JACK	1	(RTL)<R> AG-8600E
E5	VEP03B43D	P.C.BOARD VIDEO I/O	1	(RTL)<R> AG-8600E	E25	VEK2567	P.C.BOARD TENSION SENSOR UNIT	1	(RTL)<R>
E20	VEP04419A	P.C.BOARD MIC JACK	1	(RTL)<R> AG-8700E ONLY	E26	VEK4265	P.C.BOARD REV TENSION SENSOR UNIT	1	(RTL)<R>
E7	VEP04420C	P.C.BOARD AUDIO (1)	1	(RTL)<R> AG-8700E	E24	VEK4058	P.C.BOARD PHOTO TR. (R) UNIT	1	(RTL)<R>
E7	VEP04420D	P.C.BOARD AUDIO (1)	1	(RTL)<R> AG-8600E	E23	VEK3578	P.C.BOARD PHOTO TR. (L) UNIT	1	(RTL)<R>
E8	VEP04421C	P.C.BOARD AUDIO (2)	1	(RTL)<R> AG-8700E	E27	VEK6633	P.C.BOARD MOTOR BASE	1	(RTL)<R>
E8	VEP04421D	P.C.BOARD AUDIO (2)	1	(RTL)<R> AG-8600E	E22	VEK5556	P.C.BOARD SEARCH DIAL UNIT	1	(RTL)<R>
E15	VEP05162N	P.C.BOARD HEAD AMP	1	(RTL)<R> AG-8700E					
E15	VEP05162P	P.C.BOARD HEAD AMP	1	(RTL)<R> AG-8600E					
E16	VEP06902H	P.C.BOARD FRONT	1	(RTL)<R> AG-8700E					

Ref.No.	Part No.	Part Name & Description	Pcs	Remarks	Ref.No.	Part No.	Part Name & Description	Pcs	Remarks
	VEPO6903D	P.C. BOARD W/COMPONENT INTERFACE			P61010	VJP3088	CONNECTOR	1	
					Q61001	MSB709-R	TRANSISTOR	1	<R>
					Q61002,03	MSD601-R	TRANSISTOR	2	<R>
C61001	ECUM1H103ZFN	C.CAPACITOR 50V 0.01U	1		R61001,02	ERJ6GEYJ152	M.RESISTOR CH 1/10W 1.5K	2	
C61002,03	ECUM1H150JCN	C.CAPACITOR CH 50V 15P	2		R61003,04	ERJ6GEYJ101	M.RESISTOR CH 1/10W 100	2	
C61004	ECEAOJU101	E.CAPACITOR 6.3V 100U	1		R61005,06	ERJ6GEYJ152	M.RESISTOR CH 1/10W 1.5K	2	
C61005-07	ECUM1H103ZFN	C.CAPACITOR 50V 0.01U	3		R61007-12	ERJ6GEYJ103	M.RESISTOR CH 1/10W 10K	6	
C61008	ECEAOJU471	E.CAPACITOR 6.3V 470U	1		R61014-30	ERJ6GEYJ103	M.RESISTOR CH 1/10W 10K	17	
C61009,10	ECUM1H680JCN	C.CAPACITOR CH 50V 68P	2		R61032,33	ERJ6GEYJ103	M.RESISTOR CH 1/10W 10K	2	
C61011	ECUM1H103ZFN	C.CAPACITOR 50V 0.01U	1		R61034	ERJ6GEYJ102	M.RESISTOR CH 1/10W 1K	1	
C61012	ECQB1H104JF	P.CAPACITOR 50V 0.1U	1		R61035	ERJ6GEYG472	M.RESISTOR CH 1/10W 4.7K	1	
C61013	ECEA1HU3R3	E.CAPACITOR 50V 3.3U	1		R61036,37	ERJ6GEYJ473	M.RESISTOR CH 1/10W 47K	2	
C61014	ECUM1E104ZFN	C.CAPACITOR CH 25V 0.1U	1		R61038-47	ERJ6GEYJ103	M.RESISTOR CH 1/10W 10K	10	
C61015	ECEAOJU101	E.CAPACITOR 6.3V 100U	1		R61048,49	ERJ6GEYJ473	M.RESISTOR CH 1/10W 47K	2	
C61016-21	ECUM1H103ZFN	C.CAPACITOR 50V 0.01U	6		R61050	ERJ6GEYJ103	M.RESISTOR CH 1/10W 10K	1	
C61026-29	ECUM1H103ZFN	C.CAPACITOR 50V 0.01U	4		R61051-55	ERJ6GEYJ473	M.RESISTOR CH 1/10W 47K	5	
C61030	ECUM1E104ZFN	C.CAPACITOR CH 25V 0.1U	1		R61056-63	ERJ6GEYJ103	M.RESISTOR CH 1/10W 10K	8	
C61031-34	ECEAOJU470	E.CAPACITOR 6.3V 47U	4		R61064	ERJ6GEYJ473	M.RESISTOR CH 1/10W 47K	1	
C61035,36	ECEA1HU010	E.CAPACITOR 50V 1U	2		R61065	ERJ6GEYJ103	M.RESISTOR CH 1/10W 10K	1	
C61037-48	ECUM1H103ZFN	C.CAPACITOR 50V 0.01U	12		R61066-92	ERJ6GEYJ101	M.RESISTOR CH 1/10W 100	27	
C61049-51	ECEA1CU100	E.CAPACITOR 16V 10U	3		R61094-13	ERJ6GEYJ101	M.RESISTOR CH 1/10W 100	20	
C61052	ECUM1E104ZFN	C.CAPACITOR CH 25V 0.1U	1		R61114-21	ERJ6GEYJ103	M.RESISTOR CH 1/10W 10K	8	
C61053	ECEA1CU100	E.CAPACITOR 16V 10U	1		R61122-25	ERJ6GEYJ101	M.RESISTOR CH 1/10W 100	4	
C61054	ECUM1H390JCN	C.CAPACITOR CH 50V 39P	1		R61127-37	ERJ6GEYJ101	M.RESISTOR CH 1/10W 100	11	
					R61140-58	ERJ6GEYJ101	M.RESISTOR CH 1/10W 100	19	
D61001-04	11EQS04	DIODE	4	<R>	R61160-79	ERJ6GEYJ331	M.RESISTOR CH 1/10W 330	20	
D61005-12	MA153	DIODE	8	<R>	R61180-82	ERJ6GEYJ101	M.RESISTOR CH 1/10W 100	3	
					R61184	ERJ6GEYJ273	M.RESISTOR CH 1/10W 27K	1	
FL61001	VLF1016A470	FILTER	1		R61185	ERJ6GEYJ102	M.RESISTOR CH 1/10W 1K	1	
FL61004	VLF0634	FILTER	1		R61186	ERJ6GEYJ223	M.RESISTOR CH 1/10W 22K	1	
					R61187	ERJ6GEYJ273	M.RESISTOR CH 1/10W 27K	1	
					R61188	ERJ6GEYJ330	M.RESISTOR CH 1/10W 33	1	
					R61189	ERJ6GEYJ102	M.RESISTOR CH 1/10W 1K	1	
IC61001	HD641180XF6	IC	1	<R>	R61190	ERJ6GEYJ152	M.RESISTOR CH 1/10W 1.5K	1	
IC61002	VSI1403J	IC	1	<R>	R61191	ERJ6GEYJ223	M.RESISTOR CH 1/10W 22K	1	
IC61003	X22C12P	IC	1	<R>	R61193-97	ERJ6GEYOR00	M.RESISTOR CH 1/10W 0	5	
IC61004	UPD65012FA19	IC	1	<R>	R61198	ERJ6GEYJ223	M.RESISTOR CH 1/10W 22K	1	
IC61005	TL7705CPSB	IC	1	<R>					
IC61006	MC74HC4538A	IC	1	<R>	X61001	VSX0373	CRYSTAL OSCILLATOR	1	<R>
IC61007	MC74HC32AF	IC	1	<R>					
IC61008	TC7W00F	IC	1	<R>					
IC61009	TC7W04F	IC	1	<R>					
IC61010	MC74HC14AF	IC	1	<R>					
IC61011	MC34051M	IC	1	<R>					
IC61013	MC74HC541AF	IC	1	<R>	E116	VJS2336A028	MISCELLANEOUS IC SOCKET	1	
IC61014	MC74HC245AF	IC	1	<R>					
IC61015	MC74HC541AF	IC	1	<R>					
IC61016	MC74HC138AF	IC	1	<R>					
IC61017	MB89363BPF	IC	1	<R>					
IC61018,19	MB86023PF	IC	2	<R>					
IC61020-22	MC74HC4053F	IC	3	<R>					
IC61023	NJM2233BMA	IC	1	<R>					
L61001	VLQEL05S470J	COIL 47UH	1						
L61002	VLQ0067	COIL	1						
L61003,04	VLPO05A	COIL	2						
L61006	VLPO017	COIL	1						
L61007-09	VLQEL05S470J	COIL 47UH	3						
P61001	VJP31768100	CONNECTOR	1						
P61002	VJP3076	CONNECTOR	1						
P61003	VJS34060024	CONNECTOR	1						
P61004	VJS3505C060	CONNECTOR	1						
P61009	VJP3092	CONNECTOR (MALE)	1						

Ref.No.	Part No.	Part Name & Description	Pcs	Remarks	Ref.No.	Part No.	Part Name & Description	Pcs	Remarks
	VEP06913F	P.C. BOARD W/COMPONENT TIME CODE		AG-8700E					
					Q68001	MSB709-R	TRANSISTOR	1	<R>
C68001,02	ECUM1H103ZFN	C.CAPACITOR 50V 0.01U	2		R68001-03	ERJ66EYJ473	M.RESISTOR CH 1/10W 47K	3	
C68003	ECEV1HVR22Q	E.CAPACITOR 50V 0.22U	1		R68004	ERJ66EYJ105	M.RESISTOR CH 1/10W 1M	1	
C68004,05	ECUM1H220JCN	C.CAPACITOR CH 50V 22P	2		R68005,06	ERJ66EYJ103	M.RESISTOR CH 1/10W 10K	2	
C68006-09	ECUM1H103ZFN	C.CAPACITOR 50V 0.01U	4		R68007	ERJ66EYJ222	M.RESISTOR CH 1/10W 2.2K	1	
C68010,11	ECUM1H150JCN	C.CAPACITOR CH 50V 15P	2		R68008	ERJ66EYJ103	M.RESISTOR CH 1/10W 10K	1	
C68012-16	ECUM1H103ZFN	C.CAPACITOR 50V 0.01U	5		R68009	ERJ66EYJ122	M.RESISTOR CH 1/10W 1.2K	1	
C68017	ECUM1H220JCN	C.CAPACITOR CH 50V 22P	1		R68010	ERJ66EYJ562	M.RESISTOR CH 1/10W 5.6K	1	
C68018	ECUM1H270JCN	C.CAPACITOR CH 50V 27P	1		R68011,12	ERJ66EYJ223	M.RESISTOR CH 1/10W 22K	2	
C68019	ECUM1H560JCN	C.CAPACITOR CH 50V 56P	1		R68013	ERJ66EYJ562	M.RESISTOR CH 1/10W 5.6K	1	
C68020	ECEV1CV100Q	E.CAPACITOR 16V 10U	1		R68014	ERJ66EYJ224	M.RESISTOR CH 1/10W 220K	1	
C68021-27	ECUM1H103ZFN	C.CAPACITOR 50V 0.01U	7		R68015,16	ERJ66EYJ272	M.RESISTOR CH 1/10W 2.7K	2	
C68028	ECUM1E104ZFN	C.CAPACITOR CH 25V 0.1U	1		R68017	ERJ66EYJ102	M.RESISTOR CH 1/10W 1K	1	
C68029,30	ECUM1H103ZFN	C.CAPACITOR 50V 0.01U	2		R68018	ERJ66EYJ104	M.RESISTOR CH 1/10W 100K	1	
C68031	ECUM1H050CCN	C.CAPACITOR CH 50V 5P	1		R68019	ERJ66EYJ332	M.RESISTOR CH 1/10W 3.3K	1	
C68032	ECUM1H560JCN	C.CAPACITOR CH 50V 56P	1		R68020	ERJ66EYJ152	M.RESISTOR CH 1/10W 1.5K	1	
C68033	ECUM1H060DCN	C.CAPACITOR CH 50V 6P	1		R68021	ERJ66EYJ394	M.RESISTOR CH 1/10W 390K	1	
C68034	ECUM1H103ZFN	C.CAPACITOR 50V 0.01U	1		R68022	ERJ66EYJ132	M.RESISTOR CH 1/10W 1.3K	1	
C68035	ECUM1E104ZFN	C.CAPACITOR CH 25V 0.1U	1		R68023	ERJ66EYJ122	M.RESISTOR CH 1/10W 1.2K	1	
C68036	ECEV1HV2R2Q	E.CAPACITOR 50V 2.2U	1		R68024,25	ERJ66EYJ104	M.RESISTOR CH 1/10W 100K	2	
C68037	ECEV1CV100Q	E.CAPACITOR 16V 10U	1		R68026	ERJ66EYJ562	M.RESISTOR CH 1/10W 5.6K	1	
C68038,39	ECUM1H103ZFN	C.CAPACITOR 50V 0.01U	2		R68027	ERJ66EYJ103	M.RESISTOR CH 1/10W 10K	1	
C68040	ECUM1H103ZFN	C.CAPACITOR CH 50V 1000P	1		R68028	ERJ66EYJ123	M.RESISTOR CH 1/10W 12K	1	
C68041	ECUM1H103ZFN	C.CAPACITOR 50V 0.01U	1		R68029	ERJ66EYJ103	M.RESISTOR CH 1/10W 10K	1	
C68042	ECUM1H102JCN	C.CAPACITOR CH 50V 1000P	1		R68030	ERJ66EYJ223	M.RESISTOR CH 1/10W 22K	1	
C68043	ECHU1C102JA	P.CAPACITOR 16V 1000P	1		R68031	ERJ66EYJ123	M.RESISTOR CH 1/10W 12K	1	
C68044	ECUM1H103ZFN	C.CAPACITOR 50V 0.01U	1		R68032	VRE0034E202	M.RESISTOR CH 1/10W 2K	1	
C68045	ECUM1H151JCN	C.CAPACITOR CH 50V 150P	1		R68033	VRE0034E103	M.RESISTOR CH 1/10W 10K	1	
C68046	ECEV1CV100Q	E.CAPACITOR 16V 10U	1		R68034	VRE0034E183	M.RESISTOR CH 1/10W 18K	1	
C68047	ECUM1E104ZFN	C.CAPACITOR CH 25V 0.1U	1		R68035	ERJ66EYJ103	M.RESISTOR CH 1/10W 10K	1	
C68048	ECUM1H102JCN	C.CAPACITOR CH 50V 1000P	1		R68037	ERJ66EYJ103	M.RESISTOR CH 1/10W 10K	1	
					R68038	ERJ66EYJ473	M.RESISTOR CH 1/10W 47K	1	
					R68039	ERJ66EYJ103	M.RESISTOR CH 1/10W 10K	1	
D68001-05	MA151K	DIODE	5	<R>	R68040	ERJ66EYJ331	M.RESISTOR CH 1/10W 330	1	
					R68041	ERJ66EYJ224	M.RESISTOR CH 1/10W 220K	1	
					R68042,43	ERJ66EYJ102	M.RESISTOR CH 1/10W 1K	2	
					R68044	ERJ66EYJ223	M.RESISTOR CH 1/10W 22K	1	
					R68045	ERJ66EYJ103	M.RESISTOR CH 1/10W 10K	1	
IC68001	UPD78220GJ	IC	1	<R>	R68046,47	ERJ66EYJ123	M.RESISTOR CH 1/10W 12K	2	
IC68002	MN51040VPT	IC	1	<R>	R68048	ERJ66EYJ105	M.RESISTOR CH 1/10W 1M	1	
IC68003	MB8421-90LPF	IC	1	<R>	R68049	ERJ66EYJ393	M.RESISTOR CH 1/10W 39K	1	
IC68004	51951AML600D	IC	1	<R>	R68050	ERJ66EYJ473	M.RESISTOR CH 1/10W 47K	1	
IC68005,06	MC74HC32AF	IC	2	<R>					
IC68007	MC74HC04AF	IC	1	<R>					
IC68008	MC74HC32AF	IC	1	<R>					
IC68009	MC74HC373AF	IC	1	<R>	SW68001	VSS0342	SWITCH	1	<R>
IC68011	MC74HC4053F	IC	1	<R>					
IC68012	AN1319S	IC	1	<R>					
IC68013,14	MC74HC4053F	IC	2	<R>					
IC68015	TC74HC221AF	IC	1	<R>	VR68001	VRV0161B203	V.RESISTOR	1	
IC68016	AN6912S	IC	1	<R>					
IC68017	UPD65005X436	IC	1	<R>					
					X68001	VSX0499	CRYSTAL OSCILLATOR	1	<R>
IF68010	VJF1046	IC SOCKET COVER	1		X68002	VSX0498	CRYSTAL OSCILLATOR	1	<R>
					X68003	VSX0615	CRYSTAL OSCILLATOR	1	<R>
IS68010	VJS3427X028	CONNECTOR	1						
IS68010	VSI1404C	IC SOCKET	1						
L68001	VLQ0319K221	COIL 220UH	1						
P68001	VJP3507C060	CONNECTOR	1						

Ref.No.	Part No.	Part Name & Description	Pcs	Remarks	Ref.No.	Part No.	Part Name & Description	Pcs	Remarks
	VEP06913G	P.C.BOARD W/COMPONENT TIME CODE		AG-8600E	R68020	ERJ6GEYJ152	M.RESISTOR CH 1/10W 1.5K	1	
					R68021	ERJ6GEYJ394	M.RESISTOR CH 1/10W 390K	1	
					R68022	ERJ6GEYJ132	M.RESISTOR CH 1/10W 1.3K	1	
					R68023	ERJ6GEYJ122	M.RESISTOR CH 1/10W 1.2K	1	
					R68024,25	ERJ6GEYJ104	M.RESISTOR CH 1/10W 100K	2	
					R68026	ERJ6GEYJ562	M.RESISTOR CH 1/10W 5.6K	1	
C68001,02	ECUM1H103ZFN	C.CAPACITOR 50V 0.01U	2		R68027	ERJ6GEYJ103	M.RESISTOR CH 1/10W 10K	1	
C68003	ECEV1HVR22Q	E.CAPACITOR 50V 0.22U	1		R68028	ERJ6GEYJ123	M.RESISTOR CH 1/10W 12K	1	
C68004,05	ECUM1H220JCN	C.CAPACITOR CH 50V 22P	2		R68029	ERJ6GEYJ103	M.RESISTOR CH 1/10W 10K	1	
C68006-09	ECUM1H103ZFN	C.CAPACITOR 50V 0.01U	4		R68030	ERJ6GEYJ223	M.RESISTOR CH 1/10W 22K	1	
C68010,11	ECUM1H150JCN	C.CAPACITOR CH 50V 15P	2		R68031	ERJ6GEYJ123	M.RESISTOR CH 1/10W 12K	1	
C68012-16	ECUM1H103ZFN	C.CAPACITOR 50V 0.01U	5		R68038	ERJ6GEYJ473	M.RESISTOR CH 1/10W 47K	1	
C68017	ECUM1H220JCN	C.CAPACITOR CH 50V 22P	1		R68039	ERJ6GEYJ103	M.RESISTOR CH 1/10W 10K	1	
C68018	ECUM1H270JCN	C.CAPACITOR CH 50V 27P	1		R68040	ERJ6GEYJ331	M.RESISTOR CH 1/10W 330	1	
C68019	ECUM1H560JCN	C.CAPACITOR CH 50V 56P	1		R68041	ERJ6GEYJ224	M.RESISTOR CH 1/10W 220K	1	
C68020	ECEV1CV100Q	E.CAPACITOR 16V 10U	1		R68042,43	ERJ6GEYJ102	M.RESISTOR CH 1/10W 1K	2	
C68021-27	ECUM1H103ZFN	C.CAPACITOR 50V 0.01U	7		R68044	ERJ6GEYJ223	M.RESISTOR CH 1/10W 22K	1	
C68028	ECUM1E104ZFN	C.CAPACITOR CH 25V 0.1U	1		R68045	ERJ6GEYJ103	M.RESISTOR CH 1/10W 10K	1	
C68029,30	ECUM1H103ZFN	C.CAPACITOR 50V 0.01U	2		R68046,47	ERJ6GEYJ123	M.RESISTOR CH 1/10W 12K	2	
C68034	ECUM1H103ZFN	C.CAPACITOR 50V 0.01U	1		R68048	ERJ6GEYJ105	M.RESISTOR CH 1/10W 1M	1	
C68035	ECUM1E104ZFN	C.CAPACITOR CH 25V 0.1U	1		R68050	ERJ6GEYJ473	M.RESISTOR CH 1/10W 47K	1	
C68037	ECEV1CV100Q	E.CAPACITOR 16V 10U	1						
C68038,39	ECUM1H103ZFN	C.CAPACITOR 50V 0.01U	2		X68001	VSX0499	CRYSTAL OSCILLATOR	1	<R>
C68040	ECUM1H102JCN	C.CAPACITOR CH 50V 1000P	1		X68002	VSX0498	CRYSTAL OSCILLATOR	1	<R>
C68046	ECEV1CV100Q	E.CAPACITOR 16V 10U	1		X68003	VSX0615	CRYSTAL OSCILLATOR	1	<R>
C68047	ECUM1E104ZFN	C.CAPACITOR CH 25V 0.1U	1						
C68048	ECUM1H102JCN	C.CAPACITOR CH 50V 1000P	1						
D68001,02	MA151K	DIODE	2	<R>					
D68004,05	MA151K	DIODE	2	<R>					
IC68001	UPD78220GJ	IC	1	<R>					
IC68002	MN51040VPI	IC	1	<R>					
IC68003	MB8421-90LPF	IC	1	<R>					
IC68004	51951AML600D	IC	1	<R>					
IC68005,06	MC74HC32AF	IC	2	<R>					
IC68007	MC74HC04AF	IC	1	<R>					
IC68008	MC74HC32AF	IC	1	<R>					
IC68009	MC74HC373AF	IC	1	<R>					
IC68011	MC74HC4053F	IC	1	<R>					
IC68012	AN1319S	IC	1	<R>					
IC68013,14	MC74HC4053F	IC	2	<R>					
IC68016	AN6912S	IC	1	<R>					
IF68010	VJF1046	IC SOCKET COVER	1						
IS68010	VJS3427X028	IC SOCKET	1						
IS68010	VSI1404C	IC SOCKET	1						
P68001	VJP3507C060	CONNECTOR	1						
R68001-03	ERJ6GEYJ473	M.RESISTOR CH 1/10W 47K	3						
R68004	ERJ6GEYJ105	M.RESISTOR CH 1/10W 1M	1						
R68005,06	ERJ6GEYJ103	M.RESISTOR CH 1/10W 10K	2						
R68007	ERJ6GEYJ222	M.RESISTOR CH 1/10W 2.2K	1						
R68008	ERJ6GEYJ103	M.RESISTOR CH 1/10W 10K	1						
R68009	ERJ6GEYJ122	M.RESISTOR CH 1/10W 1.2K	1						
R68010	ERJ6GEYJ562	M.RESISTOR CH 1/10W 5.6K	1						
R68011,12	ERJ6GEYJ223	M.RESISTOR CH 1/10W 22K	2						
R68013	ERJ6GEYJ562	M.RESISTOR CH 1/10W 5.6K	1						
R68014	ERJ6GEYJ224	M.RESISTOR CH 1/10W 220K	1						
R68018	ERJ6GEYJ104	M.RESISTOR CH 1/10W 100K	1						
R68019	ERJ6GEYJ332	M.RESISTOR CH 1/10W 3.3K	1						

Ref.No.	Part No.	Part Name & Description	Pcs	Remarks	Ref.No.	Part No.	Part Name & Description	Pcs	Remarks
	VEP03B42B	P. C. BOARD W/COMPONENT YC REC		AG-8700E	C9245	ECUM1H123KBN	C.CAPACITOR CH 50V 0.012U	1	
					C9252	ECUM1E104ZFN	C.CAPACITOR CH 25V 0.1U	1	
					C9285	ECUM1H070DCN	C.CAPACITOR CH 50V 7P	1	
					C9286	ECUM1H100DCN	C.CAPACITOR CH 50V 10P	1	
					C9287	ECUM1H270JCN	C.CAPACITOR CH 50V 27P	1	
					C9289	ECEVOJV470Q	E.CAPACITOR 6.3V 47U	1	
C9001	ECUM1H180JCN	C.CAPACITOR CH 50V 18P	1		C9290	ECUM1H103ZFN	C.CAPACITOR 50V 0.01U	1	
C9002	ECUM1H332KBN	C.CAPACITOR CH 50V 3300P	1		C9293	ECUM1H471JCN	C.CAPACITOR CH 50V 470P	1	
C9003	ECUM1H070DCN	C.CAPACITOR CH 50V 7P	1		C9295	ECUM1H103KBN	C.CAPACITOR CH 50V 0.01U	1	
C9004	ECUM1H820JCN	C.CAPACITOR CH 50V 82P	1		C9310	ECUM1H470JCN	C.CAPACITOR CH 50V 47P	1	
C9005	ECUM1H121JCN	C.CAPACITOR CH 50V 120P	1		C9314	ECUM1H103KBN	C.CAPACITOR CH 50V 0.01U	1	
C9006	ECEVOJV220Q	E.CAPACITOR 6.3V 22U	1		C9316	ECUM1H270JCN	C.CAPACITOR CH 50V 27P	1	
C9007	ECEV1HV010Q	E.CAPACITOR 50V 1U	1		C9317	ECUM1H070DCN	C.CAPACITOR CH 50V 7P	1	
C9008,09	ECEV1HV3R3Q	E.CAPACITOR 50V 3.3U	2		C9318	ECUM1H100DCN	C.CAPACITOR CH 50V 10P	1	
C9010-12	ECEVOJV470Q	E.CAPACITOR 6.3V 47U	3		C9322	ECEVOJV470Q	E.CAPACITOR 6.3V 47U	1	
C9013	ECUM1H101JCN	C.CAPACITOR CH 50V 100P	1		C9323	ECUM1H103KBN	C.CAPACITOR CH 50V 0.01U	1	
C9014,15	ECUM1E104ZFN	C.CAPACITOR CH 25V 0.1U	2		C9324	ECUM1E104KBN	C.CAPACITOR CH 25V 0.1U	1	
C9016	ECEVOJV470Q	E.CAPACITOR 6.3V 47U	1		C9325	ECUM1H103KBN	C.CAPACITOR CH 50V 0.01U	1	
C9031	ECUM1C105ZFN	C.CAPACITOR CH 16V 1U	1		C9330	ECUM1H103KBN	C.CAPACITOR CH 50V 0.01U	1	
C9032	ECUM1H102JCN	C.CAPACITOR CH 50V 1000P	1		C9331	ECUM1H221JCN	C.CAPACITOR CH 50V 220P	1	
C9033	ECUM1E104KBN	C.CAPACITOR CH 25V 0.1U	1		C9332	ECUM1H103KBN	C.CAPACITOR CH 50V 0.01U	1	
C9034	ECUM1H470JCN	C.CAPACITOR CH 50V 47P	1		C9333	ECEVOJV220Q	E.CAPACITOR 6.3V 22U	1	
C9057	ECUM1H103KBN	C.CAPACITOR CH 50V 0.01U	1		C9334,35	ECEVOJV470Q	E.CAPACITOR 6.3V 47U	2	
C9092,93	ECUM1H103KBN	C.CAPACITOR CH 50V 0.01U	2		C9336	ECUM1H102JCN	C.CAPACITOR CH 50V 1000P	1	
C9094	ECUM1H562KBN	C.CAPACITOR CH 50V 5600P	1		C9337	ECUM1E104KBN	C.CAPACITOR CH 25V 0.1U	1	
C9095	ECUM1H103KBN	C.CAPACITOR CH 50V 0.01U	1		C9338	ECUM1H222KBN	C.CAPACITOR CH 50V 2200P	1	
C9096	ECUM1E104KBN	C.CAPACITOR CH 25V 0.1U	1		C9339	ECUM1H080DCN	C.CAPACITOR CH 50V 80P	1	
C9098,99	ECUM1E104ZFN	C.CAPACITOR CH 25V 0.1U	2		C9340,41	ECUM1H103KBN	C.CAPACITOR CH 50V 0.01U	2	
C9101	ECUM1H180JCN	C.CAPACITOR CH 50V 18P	1		C9342	ECUM1H470JCN	C.CAPACITOR CH 50V 47P	1	
C9102	ECUM1H103KBN	C.CAPACITOR CH 50V 0.01U	1		C9343	ECUM1H103KBN	C.CAPACITOR CH 50V 0.01U	1	
C9103	ECUM1H070DCN	C.CAPACITOR CH 50V 7P	1		C9345	ECUM1H103KBN	C.CAPACITOR CH 50V 0.01U	1	
C9104	ECUM1H820JCN	C.CAPACITOR CH 50V 82P	1		C9385	ECUM1E104KBN	C.CAPACITOR CH 25V 0.1U	1	
C9106	ECEV1CV100Q	E.CAPACITOR 16V 10U	1		C9395	ECUM1C105ZFN	C.CAPACITOR CH 16V 1U	1	
C9107	ECEV1HV010Q	E.CAPACITOR 50V 1U	1		C9401	ECUM1H103ZFN	C.CAPACITOR 50V 0.01U	1	
C9108,09	ECEV1HV3R3Q	E.CAPACITOR 50V 3.3U	2		C9402	ECEVOJV470Q	E.CAPACITOR 6.3V 47U	1	
C9110	ECUM1H121JCN	C.CAPACITOR CH 50V 120P	1		C9403	ECUM1H103ZFN	C.CAPACITOR 50V 0.01U	1	
C9111,12	ECEVOJV470Q	E.CAPACITOR 6.3V 47U	2		C9404	ECEVOJV470Q	E.CAPACITOR 6.3V 47U	1	
C9113	ECUM1H471JCN	C.CAPACITOR CH 50V 470P	1		C9405	ECUM1H103ZFN	C.CAPACITOR 50V 0.01U	1	
C9114	ECUM1E104ZFN	C.CAPACITOR CH 25V 0.1U	1		C9406	ECUM1H102JCN	C.CAPACITOR CH 50V 1000P	1	
C9115	ECUM1H103ZFN	C.CAPACITOR 50V 0.01U	1		C9408,09	ECUM1H103ZFN	C.CAPACITOR 50V 0.01U	2	
C9116	ECEV1CV100Q	E.CAPACITOR 16V 10U	1		C9411-13	ECUM1H103ZFN	C.CAPACITOR 50V 0.01U	3	
C9119	ECUM1E104ZFN	C.CAPACITOR CH 25V 0.1U	1		C9414	ECEVOJV470Q	E.CAPACITOR 6.3V 47U	1	
C9120	ECEVOJV470Q	E.CAPACITOR 6.3V 47U	1		C9415	ECUM1H103ZFN	C.CAPACITOR 50V 0.01U	1	
C9122	ECUM1C105ZFN	C.CAPACITOR CH 16V 1U	1		C9416	ECEV1CV220Q	E.CAPACITOR 16V 22U	1	
C9123	ECEVOGV101Q	E.CAPACITOR 4V 100U	1		C9417	ECUM1C105ZFN	C.CAPACITOR CH 16V 1U	1	
C9124	ECUM1H330JCN	C.CAPACITOR CH 50V 33P	1		C9418	ECUM1H560JCN	C.CAPACITOR CH 50V 56P	1	
C9126	ECUM1H330JCN	C.CAPACITOR CH 50V 33P	1		C9420	ECUM1H103ZFN	C.CAPACITOR 50V 0.01U	1	
C9128	ECUM1H560JCN	C.CAPACITOR CH 50V 56P	1		C9421	ECUM1H102JCN	C.CAPACITOR CH 50V 1000P	1	
C9131	ECUM1C105ZFN	C.CAPACITOR CH 16V 1U	1		C9434,35	ECUM1H102JCN	C.CAPACITOR CH 50V 1000P	2	
C9133	ECUM1H101JCN	C.CAPACITOR CH 50V 100P	1		C9438	ECUM1H102JCN	C.CAPACITOR CH 50V 1000P	1	
C9134	ECUM1H560JCN	C.CAPACITOR CH 50V 56P	1		C9439	ECUM1E104KBN	C.CAPACITOR CH 25V 0.1U	1	
C9135	ECUM1H120JCN	C.CAPACITOR CH 50V 12P	1		C9440	ECUM1H152KBN	C.CAPACITOR CH 50V 1500P	1	
C9136,37	ECUM1E104ZFN	C.CAPACITOR CH 25V 0.1U	2		C9445,46	ECUM1H103ZFN	C.CAPACITOR 50V 0.01U	2	
C9138	ECUM1H470JCN	C.CAPACITOR CH 50V 47P	1		C9501	ECUM1H103ZFN	C.CAPACITOR 50V 0.01U	1	
C9152	ECUM1E104ZFN	C.CAPACITOR CH 25V 0.1U	1		C9502	ECEVOJV470Q	E.CAPACITOR 6.3V 47U	1	
C9185	ECUM1H103KBN	C.CAPACITOR CH 50V 0.01U	1		C9503	ECUM1H103ZFN	C.CAPACITOR 50V 0.01U	1	
C9189	ECEVOJV470Q	E.CAPACITOR 6.3V 47U	1		C9504	ECEVOJV470Q	E.CAPACITOR 6.3V 47U	1	
C9193	ECUM1H103KBN	C.CAPACITOR CH 50V 0.01U	1		C9505	ECUM1H103ZFN	C.CAPACITOR 50V 0.01U	1	
C9194	ECUM1H562KBN	C.CAPACITOR CH 50V 5600P	1		C9506	ECEVOJV470Q	E.CAPACITOR 6.3V 47U	1	
C9195	ECUM1H103KBN	C.CAPACITOR CH 50V 0.01U	1		C9601	ECEVOJV470Q	E.CAPACITOR 6.3V 47U	1	
C9196	ECUM1E104KBN	C.CAPACITOR CH 25V 0.1U	1		C9602,03	ECUM1H103KBN	C.CAPACITOR CH 50V 0.01U	2	
C9198,99	ECUM1E104ZFN	C.CAPACITOR CH 25V 0.1U	2		C9604	ECEVOJV470Q	E.CAPACITOR 6.3V 47U	1	
C9201	ECUM1H101JCN	C.CAPACITOR CH 50V 100P	1		C9606-13	ECUM1E104ZFN	C.CAPACITOR CH 25V 0.1U	8	
C9202	ECUM1H332KBN	C.CAPACITOR CH 50V 3300P	1		C9615	ECUM1C105ZFN	C.CAPACITOR CH 16V 1U	1	
C9203	ECEVOJV470Q	E.CAPACITOR 6.3V 47U	1		C9617-21	ECUM1E104ZFN	C.CAPACITOR CH 25V 0.1U	5	
C9204	ECUM1H103KBN	C.CAPACITOR CH 50V 0.01U	1		C9650	ECUM1H103ZFN	C.CAPACITOR 50V 0.01U	1	
C9205	ECUM1H103ZFN	C.CAPACITOR 50V 0.01U	1		C9651,52	ECUM1E104ZFN	C.CAPACITOR CH 25V 0.1U	2	
C9208-10	ECEVOJV470Q	E.CAPACITOR 6.3V 47U	3		C9653	ECUM1H471JCN	C.CAPACITOR CH 50V 470P	1	
C9212	ECUM1H103KBN	C.CAPACITOR CH 50V 0.01U	1		C9654	ECEV1CV100Q	E.CAPACITOR 16V 10U	1	
C9213	ECUM1H101JCN	C.CAPACITOR CH 50V 100P	1		C9655	ECEVOJV470Q	E.CAPACITOR 6.3V 47U	1	
C9215	ECEVOJV470Q	E.CAPACITOR 6.3V 47U	1		C9656-58	ECUM1E104ZFN	C.CAPACITOR CH 25V 0.1U	3	
C9223	ECEVOJV470Q	E.CAPACITOR 6.3V 47U	1		C9659	ECUM1H101JCN	C.CAPACITOR CH 50V 100P	1	
C9233	ECEVOJV470Q	E.CAPACITOR 6.3V 47U	1		C9676	ECUM1H103KBN	C.CAPACITOR CH 50V 0.01U	1	
C9235	ECUM1H103KBN	C.CAPACITOR CH 50V 0.01U	1		C9680	ECUM1E104ZFN	C.CAPACITOR CH 25V 0.1U	1	
C9243	ECEVOJV470Q	E.CAPACITOR 6.3V 47U	1		C9691	ECUM1H101JCN	C.CAPACITOR CH 50V 100P	1	

Ref.No.	Part No.	Part Name & Description	Pcs	Remarks	Ref.No.	Part No.	Part Name & Description	Pcs	Remarks
C9692	ECUM1H181JCN	C.CAPACITOR CH 50V 180P	1		IC9606	TC7WU04F	IC	1	<R>
C9693	ECUM1H330JCN	C.CAPACITOR CH 50V 33P	1		IC9655	CXD1175AM	IC	1	<R>
C9694	ECUM1H181JCN	C.CAPACITOR CH 50V 180P	1		IC9691	MC74HC74AF	IC	1	<R>
C9697	ECUM1H103KBN	C.CAPACITOR CH 50V 0.01U	1						
D9111,12	MA151K	DIODE	2	<R>	L9002,03	VLQ0319K101	COIL 100UH	2	
D9201	MA151K	DIODE	1	<R>	L9010	VLQ0163J221	COIL 220UH	1	
D9301,02	MA151K	DIODE	2	<R>	L9102,03	VLQ0319K101	COIL 100UH	2	
D9401	MA151K	DIODE	1	<R>	L9105,06	VLQ0163J270	COIL 27UH	2	
D9501	11EQS04	DIODE	1	<R>	L9110	VLQ0163J221	COIL 220UH	1	
D9655	MA704	DIODE	1	<R>	L9225	VLQ0319K101	COIL 100UH	1	
					L9227	VLQ0163J180	COIL 18UH	1	
					L9228	VLQ0163J150	COIL 15UH	1	
					L9235	VLQ0319K101	COIL 100UH	1	
					L9304	VLQ0319K101	COIL 100UH	1	
DL9201	VLD0265	DELAY	1		L9308	VLQ0163J470	COIL 47UH	1	
DL9202	VLD0266	DELAY	1		L9328	VLQ0163J150	COIL 15UH	1	
					L9329	VLQ0163J180	COIL 18UH	1	
					L9402	VLQ0319K101	COIL 100UH	1	
FL9003	VLF0932	FILTER	1		L9404,05	VLQ0319K101	COIL 100UH	2	
FL9101	VLF0639	FILTER	1		L9501	VLPO133	COIL	1	
FL9102	ELB4M022	FILTER	1		L9602	VLQ0319K101	COIL 100UH	1	
FL9103	VLF0932	FILTER	1		L9691,92	VLQ0163J2R7	COIL 2.7UH	2	
FL9302	VLF1048	FILTER	1		L9693	VLQ0163J151	COIL 150UH	1	
FL9401	VLF1132	FILTER	1						
FL9601	VLF1016A223	FILTER	1						
IC9011	TC7S08F	IC	1	<R>	P9001	VJP1141	CONNECTOR (MALE) 2P	1	
IC9012	NJM082BM	IC	1	<R>	P9501,02	VJS29070018	CONNECTOR (FEMALE) 18P	2	
IC9013	MC14577CP	IC	1	<R>	P9503	VJP1246T	CONNECTOR (MALE) 6P	1	
IC9014	TC74HC221AF	IC	1	<R>					
IC9015	AN3916	IC	1	<R>	Q9001	XN4601	TRANSISTOR-TRANSISTOR	1	<R>
IC9016	TC7S66F	IC	1	<R>	Q9008	MSB709-R	TRANSISTOR	1	<R>
IC9017	TC7S04F	IC	1	<R>	Q9018	MSD601-R	TRANSISTOR	1	<R>
IC9021	NJM78L05UA	IC	1	<R>	Q9019	2SK198-R	TRANSISTOR	1	<R>
IC9035	TC7S08F	IC	1	<R>	Q9020	MSB709-R	TRANSISTOR	1	<R>
IC9101	TC4W53F	IC	1	<R>	Q9034	MSD601-R	TRANSISTOR	1	<R>
IC9102	TC74HC221AF	IC	1	<R>	Q9101,02	MSB709-R	TRANSISTOR	2	<R>
IC9103	MC14577CP	IC	1	<R>	Q9103	XN4601	TRANSISTOR-TRANSISTOR	1	<R>
IC9104	TC4S584F	IC	1	<R>	Q9104	MSD601-R	TRANSISTOR	1	<R>
IC9105	TC74HC123AF	IC	1	<R>	Q9105	XN4601	TRANSISTOR-TRANSISTOR	1	<R>
IC9106	TC7S08F	IC	1	<R>	Q9107	MSD601-R	TRANSISTOR	1	<R>
IC9112	NJM082BM	IC	1	<R>	Q9108-10	MSB709-R	TRANSISTOR	3	<R>
IC9113	MC14577CP	IC	1	<R>	Q9118	MSD601-R	TRANSISTOR	1	<R>
IC9114	TC74HC221AF	IC	1	<R>	Q9119	2SK198-R	TRANSISTOR	1	<R>
IC9115	AN3916	IC	1	<R>	Q9134	MSD601-R	TRANSISTOR	1	<R>
IC9121	NJM78L05UA	IC	1	<R>	Q9202	MSD601-R	TRANSISTOR	1	<R>
IC9201	TC7S04F	IC	1	<R>	Q9207	MSD601-R	TRANSISTOR	1	<R>
IC9202	TC7S66F	IC	1	<R>	Q9221	MSD601-R	TRANSISTOR	1	<R>
IC9203	LM324NS	IC	1	<R>	Q9319,20	MSC2295-B	TRANSISTOR	2	<R>
IC9204	TC7S66F	IC	1	<R>	Q9321	MSD601-R	TRANSISTOR	1	<R>
IC9209	MC14577CP	IC	1	<R>	Q9322	MSB709-R	TRANSISTOR	1	<R>
IC9212	TK16031M	IC	1	<R>	Q9324,25	MSD601-R	TRANSISTOR	2	<R>
IC9222	TK16031M	IC	1	<R>	Q9326	MSC2295-B	TRANSISTOR	1	<R>
IC9302	AN6367S	IC	1	<R>	Q9401	MSD601-R	TRANSISTOR	1	<R>
IC9310	NJM2234MA	IC	1	<R>	Q9691	MSB709-R	TRANSISTOR	1	<R>
IC9401	AN614	IC	1	<R>					
IC9403	TC4W53F	IC	1	<R>					
IC9404	SN74LS221NS	IC	1	<R>	QR9101	MRN1403	TRANSISTOR	1	<R>
IC9405	TA75W555FU	IC	1	<R>	QR9307	MRN1404	TRANSISTOR	1	<R>
IC9406	TA75S393F	IC	1	<R>	QR9316	MRN1402	TRANSISTOR	1	<R>
IC9409	TC7S04F	IC	1	<R>					
IC9410	MC14538BF	IC	1	<R>					
IC9411	MC14013BF	IC	1	<R>					
IC9412	MC14040BF	IC	1	<R>					
IC9413	MC14538BF	IC	1	<R>	R9001	ERJ6GEY0R00	M.RESISTOR CH 1/10W 0	1	
IC9417	MC14013BF	IC	1	<R>	R9003	ERJ6GEYJ103	M.RESISTOR CH 1/10W 10K	1	
IC9419	TC4S30F	IC	1	<R>	R9004	ERJ6GEYJ101	M.RESISTOR CH 1/10W 100	1	
IC9601	CXD2105AQ	IC	1	<R>	R9005	ERJ6GEYG472	M.RESISTOR CH 1/10W 4.7K	1	
IC9602	SN74LS221NS	IC	1	<R>	R9006	ERJ6GEY0R00	M.RESISTOR CH 1/10W 0	1	
IC9603	AN78L05	IC	1	<R>	R9023	ERJ6GEYJ104	M.RESISTOR CH 1/10W 100K	1	
					R9031,32	ERJ6GEYJ223	M.RESISTOR CH 1/10W 22K	2	

Ref.No.	Part No.	Part Name & Description	Pcs	Remarks	Ref.No.	Part No.	Part Name & Description	Pcs	Remarks
R9035	ERJ6GEYJ101	M.RESISTOR CH 1/10W 100	1		R9196	VRE0034E241	M.RESISTOR CH 1/10W 240	1	
R9036, 37	ERJ6GEYJ103	M.RESISTOR CH 1/10W 10K	2		R9201	ERJ6GEYJ103	M.RESISTOR CH 1/10W 10K	1	
R9038	ERJ6GEYJ152	M.RESISTOR CH 1/10W 1.5K	1		R9202	ERJ6GEYJ102	M.RESISTOR CH 1/10W 1K	1	
R9039	ERJ6GEYJ183	M.RESISTOR CH 1/10W 18K	1		R9203	ERJ6GEYJ222	M.RESISTOR CH 1/10W 2.2K	1	
R9040	ERJ6GEYJ222	M.RESISTOR CH 1/10W 2.2K	1		R9204	ERJ6GEYJ105	M.RESISTOR CH 1/10W 1M	1	
R9041	ERJ6GEYJ474	M.RESISTOR CH 1/10W 470K	1		R9205	ERJ6GEYJ101	M.RESISTOR CH 1/10W 100	1	
R9042	ERJ6GEYJ272	M.RESISTOR CH 1/10W 2.7K	1		R9206	ERJ6GEYJ221	M.RESISTOR CH 1/10W 220	1	
R9043, 44	ERJ6GEYJ102	M.RESISTOR CH 1/10W 1K	2		R9207	ERJ6GEYJ102	M.RESISTOR CH 1/10W 1K	1	
R9045	ERJ6GEYJ392	M.RESISTOR CH 1/10W 3.9K	1		R9208	ERJ6GEYJ122	M.RESISTOR CH 1/10W 1.2K	1	
R9046	ERJ6GEYJ473	M.RESISTOR CH 1/10W 47K	1		R9210	ERJ6GEYJ102	M.RESISTOR CH 1/10W 1K	1	
R9047	ERJ6GEYJ562	M.RESISTOR CH 1/10W 5.6K	1		R9211	ERJ6GEYJ152	M.RESISTOR CH 1/10W 1.5K	1	
R9048	ERJ6GEYJ123	M.RESISTOR CH 1/10W 12K	1		R9212	ERJ6GEYJ393	M.RESISTOR CH 1/10W 39K	1	
R9050	ERJ6GEYJ223	M.RESISTOR CH 1/10W 22K	1		R9214	ERJ6GEYJ272	M.RESISTOR CH 1/10W 2.7K	1	
R9054	ERJ6GEYJ392	M.RESISTOR CH 1/10W 3.9K	1		R9215	ERJ6GEYJ102	M.RESISTOR CH 1/10W 1K	1	
R9058	ERJ6GEYG333	M.RESISTOR CH 1/10W 33K	1		R9218	ERJ6GEYJ473	M.RESISTOR CH 1/10W 47K	1	
R9069	ERJ6GEYG472	M.RESISTOR CH 1/10W 4.7K	1		R9219	ERJ6GEYJ221	M.RESISTOR CH 1/10W 220	1	
R9070	ERJ6GEYJ561	M.RESISTOR CH 1/10W 560	1		R9220	ERJ6GEYJ102	M.RESISTOR CH 1/10W 1K	1	
R9071, 72	ERJ6GEYG333	M.RESISTOR CH 1/10W 33K	2		R9221	ERJ6GEYJ103	M.RESISTOR CH 1/10W 10K	1	
R9073	ERJ6GEYJ184	M.RESISTOR CH 1/10W 180K	1		R9222	ERJ6GEYJ561	M.RESISTOR CH 1/10W 560	1	
R9074	ERJ6GEYJ392	M.RESISTOR CH 1/10W 3.9K	1		R9225	ERJ6GEYJ223	M.RESISTOR CH 1/10W 22K	1	
R9075	ERJ6GEYJ393	M.RESISTOR CH 1/10W 39K	1		R9226	ERJ6GEYJ332	M.RESISTOR CH 1/10W 3.3K	1	
R9076	ERJ6GEYJ183	M.RESISTOR CH 1/10W 18K	1		R9229	ERJ6GEYJ473	M.RESISTOR CH 1/10W 47K	1	
R9077, 78	ERJ6GEYG472	M.RESISTOR CH 1/10W 4.7K	2		R9232	ERJ6GEYJ102	M.RESISTOR CH 1/10W 1K	1	
R9079, 80	ERJ6GEYJ330	M.RESISTOR CH 1/10W 33	2		R9234	VRE0034E751	M.RESISTOR CH 1/10W 750	1	
R9096	ERJ6GEYOR00	M.RESISTOR CH 1/10W 0	1		R9235	ERJ6GEYJ223	M.RESISTOR CH 1/10W 22K	1	
R9101, 02	ERJ6GEYJ470	M.RESISTOR CH 1/10W 47	2		R9236	ERJ6GEYJ103	M.RESISTOR CH 1/10W 10K	1	
R9103	ERJ6GEYJ474	M.RESISTOR CH 1/10W 470K	1		R9237	ERJ6GEYJ562	M.RESISTOR CH 1/10W 5.6K	1	
R9104	ERJ6GEYJ394	M.RESISTOR CH 1/10W 390K	1		R9238	ERJ6GEYG472	M.RESISTOR CH 1/10W 4.7K	1	
R9105	ERJ6GEYJ474	M.RESISTOR CH 1/10W 470K	1		R9240, 41	ERJ6GEYJ222	M.RESISTOR CH 1/10W 2.2K	2	
R9106, 07	ERJ6GEYJ103	M.RESISTOR CH 1/10W 10K	2		R9242	ERJ6GEYJ104	M.RESISTOR CH 1/10W 100K	1	
R9108, 09	ERJ6GEYJ102	M.RESISTOR CH 1/10W 1K	2		R9243	ERJ6GEYG333	M.RESISTOR CH 1/10W 33K	1	
R9110	ERJ6GEYJ105	M.RESISTOR CH 1/10W 1M	1		R9244	ERJ6GEYJ682	M.RESISTOR CH 1/10W 6.8K	1	
R9111	ERJ6GEYOR00	M.RESISTOR CH 1/10W 0	1		R9246	ERJ6GEYG153	M.RESISTOR CH 1/10W 15K	1	
R9112	ERJ6GEYJ393	M.RESISTOR CH 1/10W 39K	1		R9247	ERJ6GEYJ562	M.RESISTOR CH 1/10W 5.6K	1	
R9113	ERJ6GEYJ821	M.RESISTOR CH 1/10W 820	1		R9250	ERJ6GEYJ272	M.RESISTOR CH 1/10W 2.7K	1	
R9114	ERJ6GEYJ331	M.RESISTOR CH 1/10W 330	1		R9251	ERJ6GEYJ681	M.RESISTOR CH 1/10W 680	1	
R9115	ERJ6GEYJ470	M.RESISTOR CH 1/10W 47	1		R9252	ERJ6GEYJ473	M.RESISTOR CH 1/10W 47K	1	
R9116	ERJ6GEYJ152	M.RESISTOR CH 1/10W 1.5K	1		R9255	ERJ6GEYJ362	M.RESISTOR CH 1/10W 3.6K	1	
R9117, 18	ERJ6GEYJ102	M.RESISTOR CH 1/10W 1K	2		R9256	ERJ6GEYJ223	M.RESISTOR CH 1/10W 22K	1	
R9120	ERJ6GEYJ102	M.RESISTOR CH 1/10W 1K	1		R9260	ERJ6GEYJ272	M.RESISTOR CH 1/10W 2.7K	1	
R9125	ERJ6GEYJ102	M.RESISTOR CH 1/10W 1K	1		R9261	ERJ6GEYJ103	M.RESISTOR CH 1/10W 10K	1	
R9126	ERJ6GEYJ681	M.RESISTOR CH 1/10W 680	1		R9262	ERJ6GEYJ272	M.RESISTOR CH 1/10W 2.7K	1	
R9128	ERJ6GEYJ102	M.RESISTOR CH 1/10W 1K	1		R9266	ERJ6GEYG153	M.RESISTOR CH 1/10W 15K	1	
R9131, 32	ERJ6GEYJ223	M.RESISTOR CH 1/10W 22K	2		R9267	ERJ6GEYJ470	M.RESISTOR CH 1/10W 47	1	
R9135	ERJ6GEYJ101	M.RESISTOR CH 1/10W 100	1		R9271	ERJ6GEYJ392	M.RESISTOR CH 1/10W 3.9K	1	
R9136	ERJ6GEYJ122	M.RESISTOR CH 1/10W 1.2K	1		R9272	ERJ6GEYJ393	M.RESISTOR CH 1/10W 39K	1	
R9137	ERJ6GEYJ103	M.RESISTOR CH 1/10W 10K	1		R9276	ERJ6GEYJ223	M.RESISTOR CH 1/10W 22K	1	
R9138	ERJ6GEYJ152	M.RESISTOR CH 1/10W 1.5K	1		R9281	ERJ6GEYJ681	M.RESISTOR CH 1/10W 680	1	
R9139	ERJ6GEYJ183	M.RESISTOR CH 1/10W 18K	1		R9282	ERJ6GEYJ102	M.RESISTOR CH 1/10W 1K	1	
R9140	ERJ6GEYJ102	M.RESISTOR CH 1/10W 1K	1		R9283	ERJ6GEYG472	M.RESISTOR CH 1/10W 4.7K	1	
R9141	ERJ6GEYJ224	M.RESISTOR CH 1/10W 220K	1		R9284	ERJ6GEYG153	M.RESISTOR CH 1/10W 15K	1	
R9142	VRE0034E272	M.RESISTOR CH 1/10W 2.7K	1		R9285	ERJ6GEYJ105	M.RESISTOR CH 1/10W 1M	1	
R9143	VRE0034E102	M.RESISTOR CH 1/10W 1K	1		R9286	ERJ6GEYJ183	M.RESISTOR CH 1/10W 18K	1	
R9144	ERJ6GEYJ392	M.RESISTOR CH 1/10W 3.9K	1		R9287, 88	ERJ6GEYG472	M.RESISTOR CH 1/10W 4.7K	2	
R9145	ERJ6GEYJ222	M.RESISTOR CH 1/10W 2.2K	1		R9289, 90	ERJ6GEYJ330	M.RESISTOR CH 1/10W 33	2	
R9146	ERJ6GEYJ473	M.RESISTOR CH 1/10W 47K	1		R9301	ERJ6GEYJ332	M.RESISTOR CH 1/10W 3.3K	1	
R9147	ERJ6GEYOR00	M.RESISTOR CH 1/10W 0	1		R9302, 03	ERJ6GEYJ102	M.RESISTOR CH 1/10W 1K	2	
R9148	ERJ6GEYJ123	M.RESISTOR CH 1/10W 12K	1		R9304	ERJ6GEYJ562	M.RESISTOR CH 1/10W 5.6K	1	
R9150	ERJ6GEYJ223	M.RESISTOR CH 1/10W 22K	1		R9305	ERJ6GEYJ470	M.RESISTOR CH 1/10W 47	1	
R9151	ERJ6GEYJ103	M.RESISTOR CH 1/10W 10K	1		R9306-08	ERJ6GEYJ272	M.RESISTOR CH 1/10W 2.7K	3	
R9155	ERJ6GEYJ470	M.RESISTOR CH 1/10W 47	1		R9321	ERJ6GEYJ103	M.RESISTOR CH 1/10W 10K	1	
R9156	ERJ6GEYJ102	M.RESISTOR CH 1/10W 1K	1		R9322	ERJ6GEYJ102	M.RESISTOR CH 1/10W 1K	1	
R9166	ERJ6GEYJ102	M.RESISTOR CH 1/10W 1K	1		R9330	ERJ6GEYJ222	M.RESISTOR CH 1/10W 2.2K	1	
R9169	ERJ6GEYG472	M.RESISTOR CH 1/10W 4.7K	1		R9342	ERJ6GEYJ821	M.RESISTOR CH 1/10W 820	1	
R9170	VRE0034E561	M.RESISTOR CH 1/10W 560	1		R9343	ERJ6GEYJ221	M.RESISTOR CH 1/10W 220	1	
R9171	ERJ6GEYJ182	M.RESISTOR CH 1/10W 1.8K	1		R9353	ERJ6GEYJ102	M.RESISTOR CH 1/10W 1K	1	
R9172	ERJ6GEYJ392	M.RESISTOR CH 1/10W 3.9K	1		R9356	ERJ6GEYOR00	M.RESISTOR CH 1/10W 0	1	
R9173	ERJ6GEYJ152	M.RESISTOR CH 1/10W 1.5K	1		R9357	ERJ6GEYJ152	M.RESISTOR CH 1/10W 1.5K	1	
R9174	ERJ6GEYJ182	M.RESISTOR CH 1/10W 1.8K	1		R9359	ERJ6GEYJ822	M.RESISTOR CH 1/10W 8.2K	1	
R9175	ERJ6GEYJ392	M.RESISTOR CH 1/10W 3.9K	1		R9360	ERJ6GEYJ182	M.RESISTOR CH 1/10W 1.8K	1	
R9176, 77	ERJ6GEYJ152	M.RESISTOR CH 1/10W 1.5K	2		R9361	ERJ6GEYJ223	M.RESISTOR CH 1/10W 22K	1	
R9178	ERJ6GEYJ331	M.RESISTOR CH 1/10W 330	1		R9363	ERJ6GEYG472	M.RESISTOR CH 1/10W 4.7K	1	
R9179	ERJ6GEYJ820	M.RESISTOR CH 1/10W 82	1		R9364	ERJ6GEYJ332	M.RESISTOR CH 1/10W 3.3K	1	
R9180	ERJ6GEYJ152	M.RESISTOR CH 1/10W 1.5K	1		R9365	ERJ6GEYJ821	M.RESISTOR CH 1/10W 820	1	
R9194	ERJ6GEYOR00	M.RESISTOR CH 1/10W 0	1		R9366, 67	ERJ6GEYJ223	M.RESISTOR CH 1/10W 22K	2	

Ref.No.	Part No.	Part Name & Description	Pcs	Remarks	Ref.No.	Part No.	Part Name & Description	Pcs	Remarks
R9368	ERJ6GEYJ102	M.RESISTOR CH 1/10W 1K	1		R9670	ERJ6GEY0R00	M.RESISTOR CH 1/10W 0	1	
R9369	ERJ6GEYJ681	M.RESISTOR CH 1/10W 680	1		R9689	ERJ6GEYJ182	M.RESISTOR CH 1/10W 1.8K	1	
R9370	ERJ6GEYJ470	M.RESISTOR CH 1/10W 47	1		R9691	ERJ6GEYJ562	M.RESISTOR CH 1/10W 5.6K	1	
R9371	ERJ6GEY0R00	M.RESISTOR CH 1/10W 0	1		R9693	ERJ6GEY0R00	M.RESISTOR CH 1/10W 0	1	
R9372	ERJ6GEYJ561	M.RESISTOR CH 1/10W 560	1		R9694	ERJ6GEYJ222	M.RESISTOR CH 1/10W 2.2K	1	
R9377	ERJ6GEYJ102	M.RESISTOR CH 1/10W 1K	1		R9695	ERJ6GEYG472	M.RESISTOR CH 1/10W 4.7K	1	
R9378	ERJ6GEYJ104	M.RESISTOR CH 1/10W 100K	1		R9696	ERJ6GEYJ272	M.RESISTOR CH 1/10W 2.7K	1	
R9379	ERJ6GEYJ332	M.RESISTOR CH 1/10W 3.3K	1		R9697	ERJ6GEYJ102	M.RESISTOR CH 1/10W 1K	1	
R9388	ERJ6GEYJ102	M.RESISTOR CH 1/10W 1K	1		R9698	ERJ6GEYJ470	M.RESISTOR CH 1/10W 47	1	
R9389	ERJ6GEYJ222	M.RESISTOR CH 1/10W 2.2K	1		R9699	ERJ6GEYG472	M.RESISTOR CH 1/10W 4.7K	1	
R9391	ERJ6GEY0R00	M.RESISTOR CH 1/10W 0	1						
R9401	ERJ6GEYJ471	M.RESISTOR CH 1/10W 470	1						
R9402	ERJ6GEY0R00	M.RESISTOR CH 1/10W 0	1						
R9403	ERJ6GEYG472	M.RESISTOR CH 1/10W 4.7K	1		VR9001	EVN32CA00B24	VARIABLE 20K	1	
R9404	ERJ6GEYJ152	M.RESISTOR CH 1/10W 1.5K	1		VR9106	EVN32CA00B24	VARIABLE 20K	1	
R9405	ERJ6GEYJ221	M.RESISTOR CH 1/10W 220	1		VR9201	EVN32CA00B14	V.RESISTOR 10K	1	
R9406	ERJ6GEYJ221	M.RESISTOR CH 1/10W 2.2K	1		VR9202	EVN32CA00B13	V.RESISTOR 1K	1	
R9407	ERJ6GEY0R00	M.RESISTOR CH 1/10W 0	1		VR9212	EVN32CA00B14	V.RESISTOR 10K	1	
R9409	ERJ6GEYG472	M.RESISTOR CH 1/10W 4.7K	1		VR9222	EVN32CA00B14	V.RESISTOR 10K	1	
R9410	ERJ6GEYJ103	M.RESISTOR CH 1/10W 10K	1		VR9232	EVN32CA00B13	V.RESISTOR 1K	1	
R9411, 12	ERJ6GEYJ102	M.RESISTOR CH 1/10W 1K	2		VR9301, 02	EVN32CA00B53	V.RESISTOR 5K	2	
R9413	ERJ6GEYJ223	M.RESISTOR CH 1/10W 22K	1						
R9414	ERJ6GEYJ102	M.RESISTOR CH 1/10W 1K	1						
R9415	ERJ6GEYJ103	M.RESISTOR CH 1/10W 10K	1						
R9416	ERJ6GEYJ912	M.RESISTOR CH 1/10W 9.1K	1		X9301	VSX0406	CRYSTAL OSCILLATOR	1	<R>
R9417	ERJ6GEYJ104	M.RESISTOR CH 1/10W 100K	1						
R9418	ERJ6GEYJ273	M.RESISTOR CH 1/10W 27K	1						
R9419	ERJ6GEYJ123	M.RESISTOR CH 1/10W 12K	1						
R9420	ERJ6GEYJ152	M.RESISTOR CH 1/10W 1.5K	1				MISCELLANEOUS		
R9421, 22	ERJ6GEYJ103	M.RESISTOR CH 1/10W 10K	2		E114	VSC2483	SHIELD CASE	1	
R9423	ERJ6GEYG472	M.RESISTOR CH 1/10W 4.7K	1		E115	VSC2485	SHIELD CASE	1	
R9424	ERJ6GEYJ103	M.RESISTOR CH 1/10W 10K	1						
R9425	ERJ6GEYJ562	M.RESISTOR CH 1/10W 5.6K	1						
R9426	ERJ6GEYG472	M.RESISTOR CH 1/10W 4.7K	1						
R9429	ERJ6GEYJ105	M.RESISTOR CH 1/10W 1M	1						
R9454	ERJ6GEYJ101	M.RESISTOR CH 1/10W 100	1						
R9455	ERJ6GEYJ103	M.RESISTOR CH 1/10W 10K	1						
R9456	ERJ6GEYG153	M.RESISTOR CH 1/10W 15K	1						
R9457	ERJ6GEYJ433	M.RESISTOR CH 1/10W 4.3K	1						
R9458	ERJ6GEYJ473	M.RESISTOR CH 1/10W 47K	1						
R9459	ERJ6GEYJ224	M.RESISTOR CH 1/10W 220K	1						
R9460	ERJ6GEYJ124	M.RESISTOR CH 1/10W 120K	1						
R9602	ERJ6GEY0R00	M.RESISTOR CH 1/10W 0	1						
R9604, 05	ERJ6GEY0R00	M.RESISTOR CH 1/10W 0	2						
R9607	ERJ6GEYJ101	M.RESISTOR CH 1/10W 100	1						
R9608	ERJ6GEY0R00	M.RESISTOR CH 1/10W 0	1						
R9610	ERJ6GEY0R00	M.RESISTOR CH 1/10W 0	1						
R9612	ERJ6GEYJ221	M.RESISTOR CH 1/10W 220	1						
R9613	ERJ6GEYG472	M.RESISTOR CH 1/10W 4.7K	1						
R9614	ERJ6GEYJ102	M.RESISTOR CH 1/10W 1K	1						
R9615	ERJ6GEYJ272	M.RESISTOR CH 1/10W 2.7K	1						
R9616	ERJ6GEYJ332	M.RESISTOR CH 1/10W 3.3K	1						
R9617	ERJ6GEYG472	M.RESISTOR CH 1/10W 4.7K	1						
R9618	ERJ6GEYJ102	M.RESISTOR CH 1/10W 1K	1						
R9619	ERJ6GEYJ221	M.RESISTOR CH 1/10W 220	1						
R9620	ERJ6GEY0R00	M.RESISTOR CH 1/10W 0	1						
R9623	ERJ6GEY0R00	M.RESISTOR CH 1/10W 0	1						
R9625, 26	ERJ6GEY0R00	M.RESISTOR CH 1/10W 0	2						
R9628	ERJ6GEY0R00	M.RESISTOR CH 1/10W 0	1						
R9631	ERJ6GEY0R00	M.RESISTOR CH 1/10W 0	1						
R9633	ERJ6GEY0R00	M.RESISTOR CH 1/10W 0	1						
R9634	ERJ6GEYJ101	M.RESISTOR CH 1/10W 100	1						
R9636	ERJ6GEYG333	M.RESISTOR CH 1/10W 33K	1						
R9641	ERJ6GEY0R00	M.RESISTOR CH 1/10W 0	1						
R9643	ERJ6GEYJ101	M.RESISTOR CH 1/10W 100	1						
R9644	ERJ6GEYJ105	M.RESISTOR CH 1/10W 1M	1						
R9651	ERJ6GEYJ102	M.RESISTOR CH 1/10W 1K	1						
R9652	ERJ6GEYJ104	M.RESISTOR CH 1/10W 100K	1						
R9653, 54	ERJ6GEYJ223	M.RESISTOR CH 1/10W 22K	2						
R9655	ERJ6GEY0R00	M.RESISTOR CH 1/10W 0	1						
R9657	ERJ6GEYJ271	M.RESISTOR CH 1/10W 270	1						
R9658	ERJ6GEYJ105	M.RESISTOR CH 1/10W 1M	1						
R9660	ERJ6GEY0R00	M.RESISTOR CH 1/10W 0	1						
R9661	ERJ6GEYJ270	M.RESISTOR CH 1/10W 27	1						
R9663	ERJ6GEYJ473	M.RESISTOR CH 1/10W 47K	1						



Ref.No.	Part No.	Part Name & Description	Pcs	Remarks	Ref.No.	Part No.	Part Name & Description	Pcs	Remarks
	VEP03B44C	P. C. BOARD W/COMPONENT VIDEO YC		AG-8700E	C3223	ECUM1H223KBN	C.CAPACITOR 50V 0.022U	1	
					C3224	ECUM1H471JCN	C.CAPACITOR CH 50V 470P	1	
					C3225	ECEV1H010Q	E.CAPACITOR 50V 1U	1	
					C3226	ECUM1E104ZFN	C.CAPACITOR CH 25V 0.1U	1	
					C3227	ECUM1H103ZFN	C.CAPACITOR 50V 0.01U	1	
					C3228, 29	ECQV1H154JZ	P.CAPACITOR 50V 0.15U	2	
C3001	ECUM1H330JCN	C.CAPACITOR CH 50V 33P	1		C3230	ECUM1H103ZFN	C.CAPACITOR 50V 0.01U	1	
C3003-06	ECUM1H103ZFN	C.CAPACITOR 50V 0.01U	4		C3231	ECUM1H393KBN	C.CAPACITOR 50V 0.039U	1	
C3008, 09	ECUM1H103ZFN	C.CAPACITOR 50V 0.01U	2		C3233	ECUM1H270JCN	C.CAPACITOR CH 50V 27P	1	
C3010	ECUM1H220JCN	C.CAPACITOR CH 50V 22P	1		C3234	ECUM1H090DCN	C.CAPACITOR CH 50V 90P	1	
C3012	ECUM1H103ZFN	C.CAPACITOR 50V 0.01U	1		C3235	ECUM1E104ZFN	C.CAPACITOR CH 25V 0.1U	1	
C3013	ECUM1H330JCN	C.CAPACITOR CH 50V 33P	1		C3236	ECUM1H151JCN	C.CAPACITOR CH 50V 150P	1	
C3014	ECUM1H050CCN	C.CAPACITOR CH 50V 5P	1		C3237	ECUM1E104ZFN	C.CAPACITOR CH 25V 0.1U	1	
C3020-22	ECUM1H103ZFN	C.CAPACITOR 50V 0.01U	3		C3239, 40	ECUM1E104ZFN	C.CAPACITOR CH 25V 0.1U	2	
C3023	ECUM1E104ZFN	C.CAPACITOR CH 25V 0.1U	1		C3241-44	ECUM1H103ZFN	C.CAPACITOR 50V 0.01U	4	
C3024	ECUM1H103ZFN	C.CAPACITOR 50V 0.01U	1		C3245	ECEVOJ470Q	E.CAPACITOR 6.3V 47U	1	
C3025	ECUM1H223KBN	C.CAPACITOR 50V 0.022U	1		C3246	ECUM1H103ZFN	C.CAPACITOR 50V 0.01U	1	
C3026	ECUM1C154KBN	C.CAPACITOR CH 16V 0.15U	1		C3247	ECUM1H060DCN	C.CAPACITOR CH 50V 6P	1	
C3027	ECUM1E473KBN	C.CAPACITOR CH 25V 0.047U	1		C3248	ECUM1H103ZFN	C.CAPACITOR 50V 0.01U	1	
C3028, 29	ECUM1H473ZFN	C.CAPACITOR CH 50V 0.047U	2		C3249	ECEVOJ470Q	E.CAPACITOR 6.3V 47U	1	
C3030	ECEV1EN4R7Q	E. CAPACITOR 25V 4.7U	1		C3250-52	ECUM1C105ZFN	C.CAPACITOR CH 16V 1U	3	
C3032	ECUM1H221GCN	C.CAPACITOR CH 50V 220P	1		C3253	ECEVOJ470Q	E.CAPACITOR 6.3V 47U	1	
C3033-35	ECUM1H271GCN	C.CAPACITOR CH 50V 270P	3		C3254	ECUM1E104KBN	C.CAPACITOR CH 25V 0.1U	1	
C3038	ECQV1H561JZ	P.CAPACITOR 50V 560P	1		C3255	ECUM1H103ZFN	C.CAPACITOR 50V 0.01U	1	
C3039	ECUM1H820GCN	C.CAPACITOR CH 50V 82P	1		C3256	ECUM1C224KBM	C.CAPACITOR CH 16V 0.22U	1	
C3040	ECQV1H911GZ	P.CAPACITOR 50V 910P	1		C3257, 58	ECUM1H103ZFN	C.CAPACITOR 50V 0.01U	2	
C3042	ECUM1H080DCN	C.CAPACITOR CH 50V 80P	1		C3259	ECEVOJ470Q	E.CAPACITOR 6.3V 47U	1	
C3043	ECUM1H820JCN	C.CAPACITOR CH 50V 82P	1		C3261	ECUM1H103ZFN	C.CAPACITOR 50V 0.01U	1	
C3044	ECUM1H560JCN	C.CAPACITOR CH 50V 56P	1		C3263-65	ECUM1H103ZFN	C.CAPACITOR 50V 0.01U	3	
C3045	ECUM1H103ZFN	C.CAPACITOR 50V 0.01U	1		C3266	ECEVOJ470Q	E.CAPACITOR 6.3V 47U	1	
C3047	ECUM1H103ZFN	C.CAPACITOR 50V 0.01U	1		C3267	ECUM1H103ZFN	C.CAPACITOR 50V 0.01U	1	
C3048	ECUM1H470JCN	C.CAPACITOR CH 50V 47P	1		C3268	ECUM1E104ZFN	C.CAPACITOR CH 25V 0.1U	1	
C3049	ECEV1CV100Q	E. CAPACITOR 16V 10U	1		C3269-71	ECUM1H103ZFN	C.CAPACITOR 50V 0.01U	3	
C3051-55	ECEV1CV100Q	E. CAPACITOR 16V 10U	5		C3273	ECUM1H103ZFN	C.CAPACITOR 50V 0.01U	1	
C3056-61	ECEV1EV4R7Q	E. CAPACITOR 25V 4.7U	6		C3274	ECUM1H102JCN	C.CAPACITOR CH 50V 1000P	1	
C3062	ECEVOG470Q	E. CAPACITOR 4V 47U	1		C3275	ECEV1H2R2Q	E. CAPACITOR 50V 2.2U	1	
C3063	ECEV1CV100Q	E. CAPACITOR 16V 10U	1		C3276	ECUM1H103ZFN	C.CAPACITOR 50V 0.01U	1	
C3064	ECEVOJ220Q	E. CAPACITOR 6.3V 22U	1		C3277	ECUM1H271JCN	C.CAPACITOR CH 50V 270P	1	
C3065	ECEVOJ470Q	E. CAPACITOR 6.3V 47U	1		C3278	ECUM1C105ZFN	C.CAPACITOR CH 16V 1U	1	
C3066, 67	ECEV1C220Q	E. CAPACITOR 16V 22U	2		C3279	ECUM1H151JCN	C.CAPACITOR CH 50V 150P	1	
C3068, 69	ECEVOJ470Q	E. CAPACITOR 6.3V 47U	2		C3281	ECEVOJ470Q	E. CAPACITOR 6.3V 47U	1	
C3070	ECEV1H010Q	E. CAPACITOR 50V 1U	1		C3282	ECUM1H103ZFN	C.CAPACITOR 50V 0.01U	1	
C3072-76	ECUM1H103ZFN	C.CAPACITOR 50V 0.01U	5		C3401	ECEVOJ470Q	E. CAPACITOR 6.3V 47U	1	
C3078	ECEVOJ470Q	E. CAPACITOR 6.3V 47U	1		C3402-06	ECUM1H103ZFN	C.CAPACITOR 50V 0.01U	5	
C3079	ECEV1CV470Q	E. CAPACITOR CH 16V 47U	1		C3407	ECUM1H090DCN	C.CAPACITOR CH 50V 90P	1	
C3080-83	ECEVOJ470Q	E. CAPACITOR 6.3V 47U	4		C3408	ECUM1H471JCN	C.CAPACITOR CH 50V 470P	1	
C3084, 85	ECUM1H103ZFN	C.CAPACITOR 50V 0.01U	2		C3409	ECUM1H103ZFN	C.CAPACITOR 50V 0.01U	1	
C3086, 87	ECUM1C105ZFN	C.CAPACITOR CH 16V 1U	2		C3410	ECUM1H101JCN	C.CAPACITOR CH 50V 100P	1	
C3088	ECUM1E104ZFN	C.CAPACITOR CH 25V 0.1U	1		C3411	ECEV1H2R2Q	E. CAPACITOR 50V 2.2U	1	
C3089	ECEV1EN4R7Q	E. CAPACITOR 25V 4.7U	1		C3412	ECUM1E224ZFN	C.CAPACITOR CH 25V 0.22U	1	
C3091, 92	ECUM1E104ZFN	C.CAPACITOR CH 25V 0.1U	2		C3413-17	ECUM1H103ZFN	C.CAPACITOR 50V 0.01U	5	
C3093	ECUM1H150JCN	C.CAPACITOR CH 50V 15P	1		C3418	ECUM1H223KBN	C.CAPACITOR 50V 0.022U	1	
C3094, 95	ECUM1H101JCN	C.CAPACITOR CH 50V 100P	2		C3419	ECUM1H180JCN	C.CAPACITOR CH 50V 18P	1	
C3096	ECUM1H103ZFN	C.CAPACITOR 50V 0.01U	1		C3420	ECUM1H330JCN	C.CAPACITOR CH 50V 33P	1	
C3097	ECUM1H150JCN	C.CAPACITOR CH 50V 15P	1		C3421	ECUM1H103ZFN	C.CAPACITOR 50V 0.01U	1	
C3100	ECUM1E104ZFN	C.CAPACITOR CH 25V 0.1U	1		C3422	ECUM1H221JCN	C.CAPACITOR CH 50V 220P	1	
C3101	ECUM1C105ZFN	C.CAPACITOR CH 16V 1U	1		C3423	ECUM1H330JCN	C.CAPACITOR CH 50V 33P	1	
C3102	ECUM1E104ZFN	C.CAPACITOR CH 25V 0.1U	1		C3424	ECUM1H103ZFN	C.CAPACITOR 50V 0.01U	1	
C3112	ECUM1C154KBN	C.CAPACITOR CH 16V 0.15U	1		C3425	ECEV1CV100Q	E. CAPACITOR 16V 10U	1	
C3202	ECUM1H271JCN	C.CAPACITOR CH 50V 270P	1		C3426, 27	ECUM1H103ZFN	C.CAPACITOR 50V 0.01U	2	
C3203-05	ECUM1H103ZFN	C.CAPACITOR 50V 0.01U	3		C3428	ECEV1EV4R7Q	E. CAPACITOR 25V 4.7U	1	
C3206	ECUM1C105ZFN	C.CAPACITOR CH 16V 1U	1		C3429	ECUM1H103ZFN	C.CAPACITOR 50V 0.01U	1	
C3207	ECUM1H101JCN	C.CAPACITOR CH 50V 100P	1		C3430	ECEVOJ470Q	E. CAPACITOR 6.3V 47U	1	
C3208	ECUM1E104ZFN	C.CAPACITOR CH 25V 0.1U	1		C3431, 32	ECUM1H103ZFN	C.CAPACITOR 50V 0.01U	2	
C3209	ECUM1H102JCN	C.CAPACITOR CH 50V 1000P	1		C3433	ECUM1E224ZFN	C.CAPACITOR CH 25V 0.22U	1	
C3210	ECUM1H050CCN	C.CAPACITOR CH 50V 5P	1		C3434	ECEV1EV4R7Q	E. CAPACITOR 25V 4.7U	1	
C3211	ECUM1H120JCN	C.CAPACITOR 50V 12P	1		C3435, 36	ECUM1H103ZFN	C.CAPACITOR 50V 0.01U	2	
C3212	ECUM1H103ZFN	C.CAPACITOR 50V 0.01U	1		C3437-39	ECEV1CV100Q	E. CAPACITOR 16V 10U	3	
C3213	ECEVOJ470Q	E. CAPACITOR 6.3V 47U	1		C3440	ECUM1H103ZFN	C.CAPACITOR 50V 0.01U	1	
C3214-16	ECUM1H103ZFN	C.CAPACITOR 50V 0.01U	3		C3441	ECUM1H101JCN	C.CAPACITOR CH 50V 100P	1	
C3217	ECEV1HV3R3Q	E. CAPACITOR 50V 3.3U	1		C3442	ECUM1H270JCN	C.CAPACITOR CH 50V 27P	1	
C3218, 19	ECUM1H103KBN	C.CAPACITOR CH 50V 0.01U	2		C3443	ECUM1H560JCN	C.CAPACITOR CH 50V 56P	1	
C3220	ECEV1EV4R7Q	E. CAPACITOR 25V 4.7U	1		C3444	ECEV1EV4R7Q	E. CAPACITOR 25V 4.7U	1	
C3221	ECEV1H2R2Q	E. CAPACITOR 50V 2.2U	1		C3445-47	ECUM1H103ZFN	C.CAPACITOR 50V 0.01U	3	
C3222	ECUM1H103KBN	C.CAPACITOR CH 50V 0.01U	1		C3448	ECEVOJ470Q	E. CAPACITOR 6.3V 47U	1	

Ref.No.	Part No.	Part Name & Description	Pcs	Remarks	Ref.No.	Part No.	Part Name & Description	Pcs	Remarks
C3449,50	ECUM1H102JCN	C.CAPACITOR CH 50V 1000P	2		DL3201	VLD0272	DELAY	1	
C3451	ECUM1C105ZFN	C.CAPACITOR CH 16V 1U	1						
C3452	ECEVOJV470Q	E.CAPACITOR 6.3V 47U	1						
C3453-55	ECUM1H103ZFN	C.CAPACITOR 50V 0.01U	3						
C3456	ECUM1H680JCN	C.CAPACITOR CH 50V 68P	1		FL3003	VLF1129	FILTER	1	
C3457	ECUM1H103ZFN	C.CAPACITOR 50V 0.01U	1		FL3005	VLF1127	FILTER	1	
C3459	ECUM1H103ZFN	C.CAPACITOR 50V 0.01U	1		FL3006	VLF1128	FILTER	1	
C3460	ECUM1H151JCN	C.CAPACITOR CH 50V 150P	1		FL3201	VLF1134	FILTER	1	
C3461	ECUM1H103ZFN	C.CAPACITOR 50V 0.01U	1		FL3202	VLF1133	FILTER	1	
C3462	ECUM1H151JCN	C.CAPACITOR CH 50V 150P	1		FL3203	VLD0147	DELAY LINE	1	
C3463	ECUM1H103ZFN	C.CAPACITOR 50V 0.01U	1		FL3204	VLF1130	FILTER	1	
C3464	ECUM1H820JCN	C.CAPACITOR CH 50V 82P	1		FL3205	VLF1131	FILTER	1	
C3465	ECUM1H103ZFN	C.CAPACITOR 50V 0.01U	1		FL3401	VLF1131	FILTER	1	
C3466,67	ECUM1E473KBN	C.CAPACITOR CH 25V 0.047U	2		FL3402	VLD0089	DELAY LINE	1	
C3468	ECQV1H105JZ	P.CAPACITOR 50V 1U	1		FL3403,04	VLF1129	FILTER	2	
C3469	ECUM1H151JCN	C.CAPACITOR CH 50V 150P	1		FL3405,06	VLF1133	FILTER	2	
C3470	ECUM1H103ZFN	C.CAPACITOR 50V 0.01U	1		FL3501	VLF1132	FILTER	1	
C3471	ECUM1H100DCN	C.CAPACITOR CH 50V 10P	1						
C3472	ECUM1E104ZFN	C.CAPACITOR CH 25V 0.1U	1						
C3473	ECUM1H103ZFN	C.CAPACITOR 50V 0.01U	1						
C3474	ECEVOJV470Q	E.CAPACITOR 6.3V 47U	1		IC3001	TC7S04F	IC	1	<R>
C3475,76	ECUM1E104ZFN	C.CAPACITOR CH 25V 0.1U	2		IC3002	AN3293S	IC	1	<R>
C3477	ECUM1H100DCN	C.CAPACITOR CH 50V 10P	1		IC3003	MSM6871RS	IC	1	<R>
C3478	ECUM1H103ZFN	C.CAPACITOR 50V 0.01U	1		IC3004	AN3255FP	IC	1	<R>
C3479	ECEVOJV470Q	E.CAPACITOR 6.3V 47U	1		IC3006-08	NJM2233BMA	IC	3	<R>
C3480-83	ECUM1H103ZFN	C.CAPACITOR 50V 0.01U	4		IC3009	TC4W53F	IC	1	<R>
C3484,85	ECUM1E473KBN	C.CAPACITOR CH 25V 0.047U	2		IC3011	AN78N05	IC	1	<R>
C3486	ECQV1H105JZ	P.CAPACITOR 50V 1U	1		IC3012	NJM78L05UA	IC	1	<R>
C3487	ECEV1CV100Q	E.CAPACITOR 16V 10U	1		IC3201	M52056FP	IC	1	<R>
C3488-92	ECUM1H103ZFN	C.CAPACITOR 50V 0.01U	5		IC3205-07	TC7S04F	IC	3	<R>
C3493	ECUM1E104ZFN	C.CAPACITOR CH 25V 0.1U	1		IC3208,09	TC7S66F	IC	2	<R>
C3497-99	ECUM1H103ZFN	C.CAPACITOR 50V 0.01U	3		IC3210	TC7S04F	IC	1	<R>
C3500	ECUM1H151JCN	C.CAPACITOR CH 50V 150P	1		IC3211	MC74HC4053F	IC	1	<R>
C3501	ECEVOJV470Q	E.CAPACITOR 6.3V 47U	1		IC3212	TK16031M	IC	1	<R>
C3502	ECUM1H103ZFN	C.CAPACITOR 50V 0.01U	1		IC3213	MC14577CP	IC	1	<R>
C3503	ECEVOJV470Q	E.CAPACITOR 6.3V 47U	1		IC3214,15	NJM78L05UA	IC	2	<R>
C3504,05	ECUM1H103ZFN	C.CAPACITOR 50V 0.01U	2		IC3401	NJM2233BMA	IC	1	<R>
C3507-09	ECUM1H103ZFN	C.CAPACITOR 50V 0.01U	3		IC3402	AN3495S	IC	1	<R>
C3510	ECUM1H101JCN	C.CAPACITOR CH 50V 100P	1		IC3403,04	MSM6871RS	IC	2	<R>
C3511,12	ECUM1H103ZFN	C.CAPACITOR 50V 0.01U	2		IC3406	M52093SP	IC	1	<R>
C3513	ECEVOJV470Q	E.CAPACITOR 6.3V 47U	1		IC3407	SN74LS221NS	IC	1	<R>
C3514	ECUM1H103ZFN	C.CAPACITOR 50V 0.01U	1		IC3408	MC14577CP	IC	1	<R>
C3515	ECEV1CV470Q	E.CAPACITOR CH 16V 47U	1		IC3409	NJM2234MA	IC	1	<R>
C3516	ECUM1C105ZFN	C.CAPACITOR CH 16V 1U	1		IC3410	AN78N05	IC	1	<R>
C3517	ECUM1H103ZFN	C.CAPACITOR 50V 0.01U	1		IC3411	VCR0373	IC	1	<R>
C3520-22	ECUM1H102JCN	C.CAPACITOR CH 50V 1000P	3		IC3412	NJM2233BMA	IC	1	<R>
C3523	ECUM1E104KBN	C.CAPACITOR CH 25V 0.1U	1		IC3501	AN614	IC	1	<R>
C3524	ECUM1H152KBN	C.CAPACITOR CH 50V 1500P	1		IC3502	MC74HC4053F	IC	1	<R>
C3525	ECUM1H103ZFN	C.CAPACITOR 50V 0.01U	1		IC3503	TA75W555FU	IC	1	<R>
C3527	ECUM1E104ZFN	C.CAPACITOR CH 25V 0.1U	1		IC3504	TA75S393F	IC	1	<R>
C3528	ECUM1H470JCN	C.CAPACITOR CH 50V 47P	1		IC3506	MC14538BF	IC	1	<R>
C3529,30	ECUM1H181JCN	C.CAPACITOR CH 50V 180P	2		IC3507	MC14013BF	IC	1	<R>
C3531	ECUM1H103ZFN	C.CAPACITOR 50V 0.01U	1		IC3508	MC14040BF	IC	1	<R>
C3601	ECUM1H103ZFN	C.CAPACITOR 50V 0.01U	1		IC3509	MC14538BF	IC	1	<R>
C3602	ECUM1E104ZFN	C.CAPACITOR CH 25V 0.1U	1		IC3510	TC4S30F	IC	1	<R>
C3603	ECUM1H103ZFN	C.CAPACITOR 50V 0.01U	1		IC3511	MC14013BF	IC	1	<R>
C3604	ECUM1E104ZFN	C.CAPACITOR CH 25V 0.1U	1		IC3512	TC4S30F	IC	1	<R>
D3001	MA3091-M	DIODE	1	<R>	L3001	VLQ0163J390	COIL	39UH	1
D3002,03	MA151K	DIODE	2	<R>	L3002	VLQ0319K101	COIL	100UH	1
D3005-07	MA151K	DIODE	3	<R>	L3004	VLQ0319K101	COIL	100UH	1
D3202	MA151WA	DIODE	1	<R>	L3005	VLPO083	COIL		1
D3203-05	MA151K	DIODE	3	<R>	L3007,08	VLQ0319K101	COIL	100UH	2
D3206	MA151WA	DIODE	1	<R>	L3011	VLQ0163J151	COIL	150UH	1
D3208	MA151K	DIODE	1	<R>	L3201	VLQ0163J470	COIL	47UH	1
D3402	MA3091-M	DIODE	1	<R>	L3202,03	VLQ0163J820	COIL	82UH	2
D3403	MA28W-B	DIODE	1	<R>	L3204	VLQ0163J330	COIL	33UH	1
D3501	MA151K	DIODE	1	<R>	L3206	VLQ0319K101	COIL	100UH	1
D3502	MA151WA	DIODE	1	<R>	L3207	VLQ0163J330	COIL	33UH	1
D3503	MA151K	DIODE	1	<R>	L3208	VLQ0163J150	COIL	15UH	1
					L3209-11	VLQ0319K101	COIL	100UH	3
					L3401	VLQ0319K101	COIL	100UH	1
					L3402	VLPO083	COIL		1

Ref.No.	Part No.	Part Name & Description	Pcs	Remarks	Ref.No.	Part No.	Part Name & Description	Pcs	Remarks
L3403	VLQ0163J680	COIL 68UH	1		R3032	VRE0034E241	M.RESISTOR CH 1/10W 240	1	
L3404	VLQ0163J151	COIL 150UH	1		R3033	ERJ66EYJ562	M.RESISTOR CH 1/10W 5.6K	1	
L3405-07	VLQ0319K101	COIL 100UH	3		R3034	ERJ66EYJ332	M.RESISTOR CH 1/10W 3.3K	1	
L3409,10	VLQ0163J150	COIL 15UH	2		R3035,36	VRE0034E332	M.RESISTOR CH 1/10W 3.3K	2	
L3411-13	VLQ0319K101	COIL 100UH	3		R3037	VRE0034E471	M.RESISTOR CH 1/10W 470	1	
L3415,16	VLQ0163J6R8	COIL 6.8UH	2		R3039	VRE0034E471	M.RESISTOR CH 1/10W 470	1	
L3501-03	VLQ0319K101	COIL 100UH	3		R3040,41	ERJ66EYJ821	M.RESISTOR CH 1/10W 820	2	
L3504	VLQ0163J390	COIL 39UH	1		R3042	ERJ66EYJ822	M.RESISTOR CH 1/10W 8.2K	1	
					R3043	ERJ66EYJ471	M.RESISTOR CH 1/10W 470	1	
					R3044	ERJ66EYJ222	M.RESISTOR CH 1/10W 2.2K	1	
					R3045	ERJ66EYJ122	M.RESISTOR CH 1/10W 1.2K	1	
P3601,02	VJS28480018	CONNECTOR (FEMALE) 18P	2		R3047	ERJ66EYJ122	M.RESISTOR CH 1/10W 1.2K	1	
P3603	VJP1233T	CONNECTOR (MALE) 6P	1		R3048	ERJ66EYJ222	M.RESISTOR CH 1/10W 2.2K	1	
P3632	VJP3176B064	CONNECTOR (MALE) 64P	1		R3050	ERJ66EYJ103	M.RESISTOR CH 1/10W 10K	1	
					R3051	ERJ66EYJ152	M.RESISTOR CH 1/10W 1.5K	1	
					R3052	ERJ66EYJ103	M.RESISTOR CH 1/10W 10K	1	
					R3053	ERJ66EYJ330	M.RESISTOR CH 1/10W 33	1	
Q3002	MSD601-R	TRANSISTOR	1	<R>	R3054	ERJ66EYJ471	M.RESISTOR CH 1/10W 470	1	
Q3003-05	MSC2295-B	TRANSISTOR	3	<R>	R3055	ERJ66EYJ561	M.RESISTOR CH 1/10W 560	1	
Q3006	MSD601-R	TRANSISTOR	1	<R>	R3056	ERJ66EYJ222	M.RESISTOR CH 1/10W 2.2K	1	
Q3007	MSB709-R	TRANSISTOR	1	<R>	R3057	ERJ66EYR000	M.RESISTOR CH 1/10W 0	1	
Q3008,09	XN4501	TRANSISTOR-RESISTOR	2	<R>	R3058	ERJ66EYG153	M.RESISTOR CH 1/10W 15K	1	
Q3010,11	2SA1022-C	TRANSISTOR	2	<R>	R3061	ERJ66EYJ105	M.RESISTOR CH 1/10W 1M	1	
Q3012	MSD601-R	TRANSISTOR	1	<R>	R3062	ERJ66EYR000	M.RESISTOR CH 1/10W 0	1	
Q3013	MSB709-R	TRANSISTOR	1	<R>	R3063,64	ERJ66EYJ473	M.RESISTOR CH 1/10W 47K	2	
Q3014	MSD601-R	TRANSISTOR	1	<R>	R3066	ERJ66EYR000	M.RESISTOR CH 1/10W 0	1	
Q3015	MSB709-R	TRANSISTOR	1	<R>	R3069	ERJ66EYJ103	M.RESISTOR CH 1/10W 10K	1	
Q3016	MSD601-R	TRANSISTOR	1	<R>	R3070	ERJ66EYG153	M.RESISTOR CH 1/10W 15K	1	
Q3201,02	MSB709-R	TRANSISTOR	2	<R>	R3071,72	ERJ66EYJ682	M.RESISTOR CH 1/10W 6.8K	2	
Q3203-07	MSD601-R	TRANSISTOR	5	<R>	R3073	ERJ66EYJ392	M.RESISTOR CH 1/10W 3.9K	1	
Q3208,09	MSC2295-B	TRANSISTOR	2	<R>	R3074	ERJ66EYJ682	M.RESISTOR CH 1/10W 6.8K	1	
Q3210	MSB709-R	TRANSISTOR	1	<R>	R3075	ERJ66EYJ681	M.RESISTOR CH 1/10W 680	1	
Q3211	XN1504	TRANSISTOR	1	<R>	R3077	ERJ66EYJ102	M.RESISTOR CH 1/10W 1K	1	
Q3212	MSB709-R	TRANSISTOR	1	<R>	R3078	VRE0034E392	M.RESISTOR CH 1/10W 3.9K	1	
Q3401-03	MSD601-R	TRANSISTOR	3	<R>	R3079	VRE0034E333	M.RESISTOR CH 1/10W 33K	1	
Q3404-08	MSC2295-B	TRANSISTOR	5	<R>	R3080	ERJ66EYJ104	M.RESISTOR CH 1/10W 100K	1	
Q3410	MSB709-R	TRANSISTOR	1	<R>	R3081	ERJ66EYJ561	M.RESISTOR CH 1/10W 560	1	
Q3411	MSC2295-B	TRANSISTOR	1	<R>	R3082	ERJ66EYJ471	M.RESISTOR CH 1/10W 470	1	
Q3501	MSD601-R	TRANSISTOR	1	<R>	R3083	ERJ66EYJ102	M.RESISTOR CH 1/10W 1K	1	
Q3502,03	MSB709-R	TRANSISTOR	2	<R>	R3084	ERJ66EYJ391	M.RESISTOR CH 1/10W 390	1	
Q3504	MSC2295-B	TRANSISTOR	1	<R>	R3085	VRE0034E333	M.RESISTOR CH 1/10W 33K	1	
Q3601	MSB709-R	TRANSISTOR	1	<R>	R3086	VRE0034E153	M.RESISTOR CH 1/10W 15K	1	
Q3602	MSC2295-B	TRANSISTOR	1	<R>	R3087	VRE0034E223	M.RESISTOR CH 1/10W 22K	1	
					R3088,89	ERJ66EYJ681	M.RESISTOR CH 1/10W 680	2	
					R3090	ERJ66EYJ102	M.RESISTOR CH 1/10W 1K	1	
					R3091	ERJ66EYJ471	M.RESISTOR CH 1/10W 470	1	
QR3001	MRN1404	TRANSISTOR	1	<R>	R3092	ERJ66EYJ331	M.RESISTOR CH 1/10W 330	1	
QR3003	MRN2403	TRANSISTOR	1	<R>	R3093-95	ERJ66EYJ681	M.RESISTOR CH 1/10W 680	3	
QR3006	MRN1403	TRANSISTOR	1	<R>	R3096	ERJ66EYJ621	M.RESISTOR CH 1/10W 620	1	
QR3201,02	MRN1403	TRANSISTOR	2	<R>	R3097	ERJ66EYJ101	M.RESISTOR CH 1/10W 100	1	
QR3203	MRN1404	TRANSISTOR	1	<R>	R3098	ERJ66EYJ681	M.RESISTOR CH 1/10W 680	1	
QR3206,07	MRN1404	TRANSISTOR	2	<R>	R3099	ERJ66EYR000	M.RESISTOR CH 1/10W 0	1	
QR3402,03	MRN1404	TRANSISTOR	2	<R>	R3102	VRE0034E333	M.RESISTOR CH 1/10W 33K	1	
QR3500	MRN1403	TRANSISTOR	1	<R>	R3103	VRE0034E112	M.RESISTOR CH 1/10W 1.1K	1	
					R3104	ERJ66EYJ103	M.RESISTOR CH 1/10W 10K	1	
					R3105	VRE0034E183	M.RESISTOR CH 1/10W 18K	1	
					R3107	ERJ66EYG472	M.RESISTOR CH 1/10W 4.7K	1	
R3001	ERJ66EYJ562	M.RESISTOR CH 1/10W 5.6K	1		R3113	ERJ66EYJ471	M.RESISTOR CH 1/10W 470	1	
R3002-09	ERJ66EYJ102	M.RESISTOR CH 1/10W 1K	8		R3114	ERJ66EYJ221	M.RESISTOR CH 1/10W 220	1	
R3010-12	VRE0034E102	M.RESISTOR CH 1/10W 1K	3		R3115	ERJ66EYJ102	M.RESISTOR CH 1/10W 1K	1	
R3013	ERJ66EYJ152	M.RESISTOR CH 1/10W 1.5K	1		R3201,02	ERJ66EYJ562	M.RESISTOR CH 1/10W 5.6K	2	
R3014	VRE0034E112	M.RESISTOR CH 1/10W 1.1K	1		R3203	ERJ66EYJ101	M.RESISTOR CH 1/10W 100	1	
R3015	ERJ66EYJ122	M.RESISTOR CH 1/10W 1.2K	1		R3205	ERJ66EYJ223	M.RESISTOR CH 1/10W 22K	1	
R3016	ERJ66EYR000	M.RESISTOR CH 1/10W 0	1		R3206	ERJ66EYJ103	M.RESISTOR CH 1/10W 10K	1	
R3017	ERJ66EYJ101	M.RESISTOR CH 1/10W 100	1		R3208	ERJ66EYR000	M.RESISTOR CH 1/10W 0	1	
R3018	ERJ66EYJ222	M.RESISTOR CH 1/10W 2.2K	1		R3209,10	ERJ66EYJ223	M.RESISTOR CH 1/10W 22K	2	
R3019	ERJ66EYJ152	M.RESISTOR CH 1/10W 1.5K	1		R3211	ERJ66EYG153	M.RESISTOR CH 1/10W 15K	1	
R3020,21	VRE0034E152	M.RESISTOR CH 1/10W 1.5K	2		R3212	ERJ66EYJ101	M.RESISTOR CH 1/10W 100	1	
R3022	ERJ66EYG153	M.RESISTOR CH 1/10W 15K	1		R3214,15	ERJ66EYJ102	M.RESISTOR CH 1/10W 1K	2	
R3023	ERJ66EYJ392	M.RESISTOR CH 1/10W 3.9K	1		R3216	ERJ66EYJ103	M.RESISTOR CH 1/10W 10K	1	
R3024	ERJ66EYJ184	M.RESISTOR CH 1/10W 180K	1		R3218	ERJ66EYJ563	M.RESISTOR CH 1/10W 56K	1	
R3026	ERJ66EYJ225	M.RESISTOR CH 1/10W 2.2M	1		R3219	ERJ66EYJ182	M.RESISTOR CH 1/10W 1.8K	1	
R3027,28	ERJ66EYJ222	M.RESISTOR CH 1/10W 2.2K	2		R3220	ERJ66EYJ103	M.RESISTOR CH 1/10W 10K	1	
R3029	ERJ66EYJ102	M.RESISTOR CH 1/10W 1K	1		R3221	ERJ66EYJ822	M.RESISTOR CH 1/10W 8.2K	1	
R3030	ERJ66EYJ223	M.RESISTOR CH 1/10W 22K	1		R3222	ERJ66EYG153	M.RESISTOR CH 1/10W 15K	1	

Ref.No.	Part No.	Part Name & Description	Pcs	Remarks	Ref.No.	Part No.	Part Name & Description	Pcs	Remarks
R3223	ERJ6GEYJ182	M.RESISTOR CH 1/10W 1.8K	1		R3423	ERJ6GEYJ681	M.RESISTOR CH 1/10W 680	1	
R3224	ERJ6GEYJ103	M.RESISTOR CH 1/10W 10K	1		R3424	ERJ6GEYJ122	M.RESISTOR CH 1/10W 1.2K	1	
R3225	ERJ6GEYJ512	M.RESISTOR CH 1/10W 5.1K	1		R3425	ERJ6GEYJ223	M.RESISTOR CH 1/10W 22K	1	
R3226	ERJ6GEYJ393	M.RESISTOR CH 1/10W 39K	1		R3426-28	ERJ6GEYJ102	M.RESISTOR CH 1/10W 1K	3	
R3227, 28	ERJ6GEYJ223	M.RESISTOR CH 1/10W 22K	2		R3429	ERJ6GEYJ101	M.RESISTOR CH 1/10W 100	1	
R3229	ERJ6GEYJ122	M.RESISTOR CH 1/10W 1.2K	1		R3430	ERJ6GEYJ222	M.RESISTOR CH 1/10W 2.2K	1	
R3230	ERJ6GEYJ102	M.RESISTOR CH 1/10W 1K	1		R3431	ERJ6GEYJ103	M.RESISTOR CH 1/10W 10K	1	
R3231, 32	ERJ6GEYJ103	M.RESISTOR CH 1/10W 10K	2		R3432	ERJ6GEYJ183	M.RESISTOR CH 1/10W 18K	1	
R3233	ERJ6GEYG333	M.RESISTOR CH 1/10W 33K	1		R3433	ERJ6GEYJ272	M.RESISTOR CH 1/10W 2.7K	1	
R3234, 35	ERJ6GEYJ223	M.RESISTOR CH 1/10W 22K	2		R3434	ERJ6GEYJ561	M.RESISTOR CH 1/10W 560	1	
R3236-39	ERJ6GEYJ102	M.RESISTOR CH 1/10W 1K	4		R3435-37	ERJ6GEYJ222	M.RESISTOR CH 1/10W 2.2K	3	
R3240	ERJ6GEYJ223	M.RESISTOR CH 1/10W 22K	1		R3438	ERJ6GEYG472	M.RESISTOR CH 1/10W 4.7K	1	
R3241, 42	ERJ6GEYJ102	M.RESISTOR CH 1/10W 1K	2		R3439	ERJ6GEYJ392	M.RESISTOR CH 1/10W 3.9K	1	
R3243	ERJ6GEYJ332	M.RESISTOR CH 1/10W 3.3K	1		R3440	ERJ6GEYG472	M.RESISTOR CH 1/10W 4.7K	1	
R3244	ERJ6GEYJ473	M.RESISTOR CH 1/10W 47K	1		R3441	ERJ6GEYOR00	M.RESISTOR CH 1/10W 0	1	
R3245, 46	ERJ6GEYJ561	M.RESISTOR CH 1/10W 560	2		R3445, 46	ERJ6GEYJ102	M.RESISTOR CH 1/10W 1K	2	
R3247	ERJ6GEYG472	M.RESISTOR CH 1/10W 4.7K	1		R3449	ERJ6GEYG472	M.RESISTOR CH 1/10W 4.7K	1	
R3249	ERJ6GEYJ562	M.RESISTOR CH 1/10W 5.6K	1		R3450, 51	ERJ6GEYJ103	M.RESISTOR CH 1/10W 10K	2	
R3250	ERJ6GEYJ103	M.RESISTOR CH 1/10W 10K	1		R3452	ERJ6GEYJ223	M.RESISTOR CH 1/10W 22K	1	
R3251	ERJ6GEYJ220	M.RESISTOR CH 1/10W 22	1		R3455	ERJ6GEYJ824	M.RESISTOR CH 1/10W 820K	1	
R3252	ERJ6GEYG472	M.RESISTOR CH 1/10W 4.7K	1		R3457, 58	ERJ6GEYJ331	M.RESISTOR CH 1/10W 330	2	
R3253	ERJ6GEYJ271	M.RESISTOR CH 1/10W 270	1		R3460	ERJ6GEYJ124	M.RESISTOR CH 1/10W 120K	1	
R3254	ERJ6GEYJ182	M.RESISTOR CH 1/10W 1.8K	1		R3461	ERJ6GEYJ824	M.RESISTOR CH 1/10W 820K	1	
R3255, 56	ERJ6GEYJ102	M.RESISTOR CH 1/10W 1K	2		R3462	ERJ6GEYJ102	M.RESISTOR CH 1/10W 1K	1	
R3262, 63	ERJ6GEYJ102	M.RESISTOR CH 1/10W 1K	2		R3463	ERJ6GEYJ471	M.RESISTOR CH 1/10W 470	1	
R3264	ERJ6GEYJ332	M.RESISTOR CH 1/10W 3.3K	1		R3465	ERJ6GEYJ471	M.RESISTOR CH 1/10W 470	1	
R3265	ERJ6GEYJ152	M.RESISTOR CH 1/10W 1.5K	1		R3467	ERJ6GEYJ102	M.RESISTOR CH 1/10W 1K	1	
R3266	ERJ6GEYG153	M.RESISTOR CH 1/10W 15K	1		R3468	ERJ6GEYJ222	M.RESISTOR CH 1/10W 2.2K	1	
R3267	ERJ6GEYJ223	M.RESISTOR CH 1/10W 22K	1		R3470	ERJ6GEYJ331	M.RESISTOR CH 1/10W 330	1	
R3268	ERJ6GEYJ183	M.RESISTOR CH 1/10W 18K	1		R3471	ERJ6GEYJ103	M.RESISTOR CH 1/10W 10K	1	
R3269, 70	ERJ6GEYJ102	M.RESISTOR CH 1/10W 1K	2		R3472	ERJ6GEYJ681	M.RESISTOR CH 1/10W 680	1	
R3271, 72	ERJ6GEYJ392	M.RESISTOR CH 1/10W 3.9K	2		R3473	ERJ6GEYJ103	M.RESISTOR CH 1/10W 10K	1	
R3273	ERJ6GEYJ102	M.RESISTOR CH 1/10W 1K	1		R3474	ERJ6GEYG333	M.RESISTOR CH 1/10W 33K	1	
R3274, 75	ERJ6GEYG472	M.RESISTOR CH 1/10W 4.7K	2		R3475	ERJ6GEYJ102	M.RESISTOR CH 1/10W 1K	1	
R3276	ERJ6GEYJ511	M.RESISTOR CH 1/10W 510	1		R3476	ERJ6GEYOR00	M.RESISTOR CH 1/10W 0	1	
R3277	ERJ6GEYJ102	M.RESISTOR CH 1/10W 1K	1		R3477-79	ERJ6GEYJ102	M.RESISTOR CH 1/10W 1K	3	
R3278	ERJ6GEYG472	M.RESISTOR CH 1/10W 4.7K	1		R3484	ERJ6GEYJ102	M.RESISTOR CH 1/10W 1K	1	
R3279, 80	ERJ6GEYJ102	M.RESISTOR CH 1/10W 1K	2		R3485	ERJ6GEYG153	M.RESISTOR CH 1/10W 15K	1	
R3281	ERJ6GEYJ471	M.RESISTOR CH 1/10W 470	1		R3486	ERJ6GEYJ223	M.RESISTOR CH 1/10W 22K	1	
R3282	ERJ6GEYJ681	M.RESISTOR CH 1/10W 680	1		R3487	ERJ6GEYJ471	M.RESISTOR CH 1/10W 470	1	
R3284	ERJ6GEYJ223	M.RESISTOR CH 1/10W 22K	1		R3488	ERJ6GEYJ221	M.RESISTOR CH 1/10W 220	1	
R3285	ERJ6GEYJ101	M.RESISTOR CH 1/10W 100	1		R3489	ERJ6GEYJ821	M.RESISTOR CH 1/10W 820	1	
R3286	ERJ6GEYJ104	M.RESISTOR CH 1/10W 100K	1		R3490	ERJ6GEYJ223	M.RESISTOR CH 1/10W 22K	1	
R3287, 88	ERJ6GEYJ103	M.RESISTOR CH 1/10W 10K	2		R3491	ERJ6GEYJ183	M.RESISTOR CH 1/10W 18K	1	
R3289	ERJ6GEYJ473	M.RESISTOR CH 1/10W 47K	1		R3492, 93	VRE0034E681	M.RESISTOR CH 1/10W 680	2	
R3290	ERJ6GEYOR00	M.RESISTOR CH 1/10W 0	1		R3494	VRE0034E122	M.RESISTOR CH 1/10W 1.2K	1	
R3291	ERJ6GEYG333	M.RESISTOR CH 1/10W 33K	1		R3495	VRE0034E201	M.RESISTOR CH 1/10W 200	1	
R3292, 93	ERJ6GEYJ223	M.RESISTOR CH 1/10W 22K	2		R3496	ERJ6GEYJ152	M.RESISTOR CH 1/10W 1.5K	1	
R3295	ERJ6GEYJ102	M.RESISTOR CH 1/10W 1K	1		R3498, 99	ERJ6GEYJ101	M.RESISTOR CH 1/10W 100	2	
R3297	ERJ6GEYJ392	M.RESISTOR CH 1/10W 3.9K	1		R3501	ERJ6GEYG472	M.RESISTOR CH 1/10W 4.7K	1	
R3298	ERJ6GEYJ562	M.RESISTOR CH 1/10W 5.6K	1		R3502	ERJ6GEYOR00	M.RESISTOR CH 1/10W 0	1	
R3299, 00	ERJ6GEYJ103	M.RESISTOR CH 1/10W 10K	2		R3503	ERJ6GEYG472	M.RESISTOR CH 1/10W 4.7K	1	
R3301	ERJ6GEYG333	M.RESISTOR CH 1/10W 33K	1		R3504	ERJ6GEYJ152	M.RESISTOR CH 1/10W 1.5K	1	
R3302	ERJ6GEYJ102	M.RESISTOR CH 1/10W 1K	1		R3506	ERJ6GEYJ103	M.RESISTOR CH 1/10W 10K	1	
R3400	ERJ6GEYJ103	M.RESISTOR CH 1/10W 10K	1		R3507	ERJ6GEYJ102	M.RESISTOR CH 1/10W 1K	1	
R3401	ERJ6GEYJ102	M.RESISTOR CH 1/10W 1K	1		R3508	ERJ6GEYJ222	M.RESISTOR CH 1/10W 2.2K	1	
R3402	ERDS2T0	C.RESISTOR 1/4W 0	1		R3509	ERJ6GEYJ103	M.RESISTOR CH 1/10W 10K	1	
R3403, 04	ERJ6GEYJ102	M.RESISTOR CH 1/10W 1K	2		R3510	ERJ6GEYG472	M.RESISTOR CH 1/10W 4.7K	1	
R3405	ERJ6GEYJ122	M.RESISTOR CH 1/10W 1.2K	1		R3511, 12	ERJ6GEYJ102	M.RESISTOR CH 1/10W 1K	2	
R3407	ERJ6GEYG472	M.RESISTOR CH 1/10W 4.7K	1		R3513	ERJ6GEYJ223	M.RESISTOR CH 1/10W 22K	1	
R3408	ERJ6GEYJ331	M.RESISTOR CH 1/10W 330	1		R3514	ERJ6GEYJ103	M.RESISTOR CH 1/10W 10K	1	
R3409	ERJ6GEYOR00	M.RESISTOR CH 1/10W 0	1		R3515	ERJ6GEYJ912	M.RESISTOR CH 1/10W 9.1K	1	
R3410	ERJ6GEYG333	M.RESISTOR CH 1/10W 33K	1		R3516	ERJ6GEYJ104	M.RESISTOR CH 1/10W 100K	1	
R3411	ERJ6GEYJ562	M.RESISTOR CH 1/10W 5.6K	1		R3517	ERJ6GEYJ103	M.RESISTOR CH 1/10W 10K	1	
R3412	ERJ6GEYG153	M.RESISTOR CH 1/10W 15K	1		R3518	ERJ6GEYJ273	M.RESISTOR CH 1/10W 27K	1	
R3413	ERJ6GEYG333	M.RESISTOR CH 1/10W 33K	1		R3519	ERJ6GEYJ105	M.RESISTOR CH 1/10W 1M	1	
R3414	ERJ6GEYJ223	M.RESISTOR CH 1/10W 22K	1		R3520, 21	ERJ6GEYJ103	M.RESISTOR CH 1/10W 10K	2	
R3415	ERJ6GEYJ271	M.RESISTOR CH 1/10W 270	1		R3529	ERJ6GEYJ103	M.RESISTOR CH 1/10W 10K	1	
R3416	ERJ6GEYJ273	M.RESISTOR CH 1/10W 27K	1		R3530	ERJ6GEYG153	M.RESISTOR CH 1/10W 15K	1	
R3417	ERJ6GEYJ681	M.RESISTOR CH 1/10W 680	1		R3531	ERJ6GEYJ433	M.RESISTOR CH 1/10W 43K	1	
R3418	ERJ6GEYJ122	M.RESISTOR CH 1/10W 1.2K	1		R3532	ERJ6GEYJ473	M.RESISTOR CH 1/10W 47K	1	
R3419	ERJ6GEYJ152	M.RESISTOR CH 1/10W 1.5K	1		R3533	ERJ6GEYJ224	M.RESISTOR CH 1/10W 220K	1	
R3420	ERJ6GEYJ102	M.RESISTOR CH 1/10W 1K	1		R3534	ERJ6GEYJ124	M.RESISTOR CH 1/10W 120K	1	
R3421	ERJ6GEYJ103	M.RESISTOR CH 1/10W 10K	1		R3536	ERJ6GEYJ222	M.RESISTOR CH 1/10W 2.2K	1	
R3422	ERJ6GEYJ223	M.RESISTOR CH 1/10W 22K	1		R3537	ERJ6GEYJ152	M.RESISTOR CH 1/10W 1.5K	1	



Ref.No.	Part No.	Part Name & Description	Pcs	Remarks	Ref.No.	Part No.	Part Name & Description	Pcs	Remarks
	VEP04418C	P.C.BOARD W/COMPONENT FRONT JACK		AG-8700E		VEP04418D	P.C.BOARD W/COMPONENT FRONT JACK		AG-8600E
C4901,02 C4910	ECKF1H101KB ECKF1H103ZF	C.CAPACITOR 50V 100P C.CAPACITOR 50V 0.01U	2 1		C4901,02 C4910	ECKF1H101KB ECKF1H103ZF	C.CAPACITOR 50V 100P C.CAPACITOR 50V 0.01U	2 1	
D4901	MA165VT	DIODE	1	<R>	J4901	VJJ0378	M6 JACK	1	
J4901	VJJ0378	M6 JACK	1		L4901,02	VLQEL05S101J	COIL 100UH	2	
L4901,02	VLQEL05S101J	COIL 100UH	2		P4901 P4902	VJP3529 VJP3076	CONNECTOR CONNECTOR	1 1	
P4901 P4902	VJP3529 VJP3076	CONNECTOR CONNECTOR	1 1		VR4901 VR4902	EVUNCAF15B23 EVU55AF15B15	V.RESISTOR V.RESISTOR	1 1	
R4901 R4902	ERDS2TJ333 ERDS2TJ822	C.RESISTOR 1/4W 33K C.RESISTOR 1/4W 8.2K	1 1				MISCELLANEOUS		
VR4901 VR4902 VR4903	EVUNCAF15B23 EVU55AF15B15 EVU023015B14	V.RESISTOR V.RESISTOR V.RESISTOR	1 1 1		E59 E60 E61	VMP4231 VJU6484 VMP4434	JACK ANGLE BUTTON FRONT JACK ANGLE (2)	1 3 1	
		MISCELLANEOUS							
E59 E60 E61	VMP4231 VJU6484 VMP4434	JACK ANGLE BUTTON FRONT JACK ANGLE (2)	1 4 1						

Ref.No.	Part No.	Part Name & Description	Pcs	Remarks	Ref.No.	Part No.	Part Name & Description	Pcs	Remarks
	VEP01609B	P.C. BOARD W/COMPONENT POWER			P1003	VJP3088	CONNECTOR	1	
C1001,02	VCK0260M332	P.CAPACITOR 50V 3300P	2	<I>	Q1001-03	2SD636	TRANSISTOR	3	<R>
C1003	ECQU2A224MN	P.CAPACITOR 250V 0.22U	1	<I>	Q1004	PS2561L1V1WL	TRANSISTOR-PHOTO COUPLER	1	<R><I>
C1004,05	VCK0260M102	P.CAPACITOR 50V	2	<I>	Q1006	2SD1474	TRANSISTOR	1	<R>
C1008	ECEC2GA221C	E.CAPACITOR 400V 220U	1		QR1001	UN1114	TRANSISTOR-RESISTOR	1	<R>
C1009	ECA1CF221L	E.CAPACITOR 16V 220U	1		QR1002	UN1214	TRANSISTOR-RESISTOR	1	<R>
C1011	ECA1HF2470	E.CAPACITOR 50V 47U	1						
C1012	ECQB1H681JF	P.CAPACITOR 50V 680P	1		R1001	VSF0078	F.RESISTOR	1	<I>
C1013	ECQE6473MZ	P.CAPACITOR 630V 0.047U	1		R1002-05	ERDS2FJ683	C.RESISTOR 1/4W 68K	4	
C1014	VCK0106K331	P.CAPACITOR 50V 330P	1		R1006	ERDS2FJ2R7	C.RESISTOR 1/4W 2.7	1	
C1015	ECQB1H223JF	P.CAPACITOR 50V 0.022U	1		R1007	ERDS2FJ270	C.RESISTOR 1/4W 27	1	
C1016	ECQB1H123JF	P.CAPACITOR 50V 0.012U	1		R1009	ERDS2FJ1R5	C.RESISTOR 1/4W 1.5	1	
C1017	ECQV1H274JZ	P.CAPACITOR 50V 0.27U	1		R1010	ERX2SJR43	M.RESISTOR 2W 0.43	1	
C1019	ECA1HXLV2R2	E.CAPACITOR 50V 2.2U	1		R1011	ERDS2FJ562	C.RESISTOR 1/4W 5.6K	1	
C1025	ECEA1JFE560	E.CAPACITOR 63V 56U	1		R1012	ERDS2FJ822	C.RESISTOR 1/4W 8.2K	1	
C1026	ECA1VF0681	E.CAPACITOR 35V 680U	1		R1013	ERDS2FJ471	C.RESISTOR 1/4W 470	1	
C1027	ECA1EF2122	E.CAPACITOR 25V 1200U	1		R1014	ERDS2FJ331	C.RESISTOR 1/4W 330	1	
C1028,29	ECA1AF2222	E.CAPACITOR 10V 2200U	2		R1015	ERDS2FJ104	C.RESISTOR 1/4W 100K	1	
C1030	ECA1CF2821	E.CAPACITOR 16V 820U	1		R1016	ERDS2FJ103	C.RESISTOR 1/4W 10K	1	
C1031	ECA1EF2331	E.CAPACITOR 25V 330U	1		R1017	ERDS2FJ104	C.RESISTOR 1/4W 100K	1	
C1032	ECQB1H473JF	P.CAPACITOR 50V 0.047U	1		R1018	ERDS2FJ473	C.RESISTOR 1/4W 47K	1	
C1033	ECKF1H103ZF	C.CAPACITOR 50V 0.01U	1		R1019,20	ERDS2FJ224	C.RESISTOR 1/4W 220K	2	
C1034	ECA1CXLV470	E.CAPACITOR 16V 47U	1		R1021	ERG3SJ683	M.RESISTOR 3W 68K	1	
C1035	ECA1CFQ152	E.CAPACITOR 16V 1500U	1		R1022	ERG1SJ561	M.RESISTOR 1W 560	1	
C1036	ECQV1H564JZ	P.CAPACITOR 50V 0.56U	1		R1023	ERDS2FJ562	C.RESISTOR 1/4W 5.6K	1	
C1037-39	ECCD2H101J	C.CAPACITOR 500V 100P	3		R1024	ERDS2FJ334	C.RESISTOR 1/4W 330K	1	
					R1025	ERDS2T0	C.RESISTOR 1/4W 0	1	
D1001	D3SBA60	DIODE	1	<R><I>	R1027,28	ERDS2FJ683	C.RESISTOR 1/4W 68K	2	
D1002	RD62E	DIODE	1	<R>	R1031	ERDS2TJ271	C.RESISTOR 1/4W 270	1	
D1003	ERA22-02	DIODE	1	<R>	R1032	ERDS2TJ561	C.RESISTOR 1/4W 560	1	
D1004	MA723	DIODE	1	<R>	R1033	ERDS2T0	C.RESISTOR 1/4W 0	1	
D1005	MA185	DIODE	1	<R>	R1034	EROS2CKF2701	M.RESISTOR 1/4W	1	
D1006	MA165VT	DIODE	1	<R>	R1035	EROS2CKF2201	M.RESISTOR 1/4W 2.2K	1	
D1007	MA185	DIODE	1	<R>	R1036	EROS2CKG6202	M.RESISTOR 1/4W 62K	1	
D1008	MA4100M	DIODE	1	<R>	R1038	ERX3SJR82	M.RESISTOR 3W 0.82	1	
D1009	MA178	DIODE	1	<R>					
D1010	AP01C	DIODE	1	<R>					
D1011,12	RD91E	DIODE	2	<R>	T1001	VL T0739	TRANSFORMER	1	<I>
D1014	8P4SMA	DIODE	1	<R>					
D1015	RD62E	DIODE	1	<R>					
D1016	VSD0001	DIODE	1	<R>					
D1017,18	FMLG12SP	DIODE	2	<R>					
D1019	FMB-24H	DIODE	1	<R>					
D1020	31DQ04	DIODE	1	<R>					
D1021	RL2ZP	DIODE	1	<R>					
F1001	XBA2C31TH15	FUSE	1	<I>			MISCELLANEOUS		
					E35	VJF0318	FUSE HOLDER	2	<I>
IC1001	STRS6708LF	IC	1	<R><I>	E36	VMZ0429	FUSE COVER	1	<I>
IC1002	TL431CLP	IC	1	<R>	E37	VMZ0965	CAPACITOR COVER	2	<I>
IC1003	M51953BL	IC	1	<R>	E44	VMZ1798	BARRIER	1	<I>
					E45	VMZ1608	CAPACITOR COVER	2	<I>
					E51	VSC3434	SHIELD CASE	1	
L1001	ELF18D606F	COIL	1	<I>	E52	XYN3+F8	SCREW	1	
L1006	VLQ0354	COIL	1						
L1007	VLQ0410	COIL	1						
L1008	VLQ0605	COIL	1						
L1009	VLQ0410	COIL	1						
P1001	VJP2639	CONNECTOR	1						
P1002	VJP1153	CONNECTOR (MALE)	1						

Ref.No.	Part No.	Part Name & Description	Pcs	Remarks	Ref.No.	Part No.	Part Name & Description	Pcs	Remarks
	VEP00V07C	P.C.BOARD W/COMPONENT MOTHER		AG-8700E		VEP01478C	P.C.BOARD W/COMPONENT POWER CONNECT		
P910	VJP1147	CONNECTOR (MALE) 12P	1		C1101,02	ECQU2A224MN	P.CAPACITOR 250V 0.22U	2	<I>
P921-23	VJP3203A020Z	CONNECTOR (MALE) 20P	3						
P931	VJS2898A100	CONNECTOR	1						
P932	VJS2898A064	CONNECTOR (FEMALE) 64P	1						
P933-35	VJS2898A100	CONNECTOR	3		L1101	ELF18D605	COIL	1	<I>
P941,42	VJS2898A064	CONNECTOR (FEMALE) 64P	2						
P961-64	VJS3152	CONNECTOR (FEMALE)	4						
P971-74	VJS3490A13	CONNECTOR	4						
		MISCELLANEOUS							
E38	VMP4222	CONNECTOR ANGLE (1)	1						
E39	VMP4223	CONNECTOR ANGLE (2)	1		R1101	ERC12GM334	S.RESISTOR 1/2W 330K	1	<I>
E42	VJF0456	BINDER	2						
E41	XYE3+EF8FZ	SCREW	17						
	VMT0076	RUBBER CUSHION	4						
E40	XTV26+BJ	SCREW	14						
		MISCELLANEOUS			E46	VMZ1305	MISCELLANEOUS CAPACITOR COVER	2	<I>
	VEP00V07D	P.C.BOARD W/COMPONENT MOTHER		AG-8600E					
P910	VJP1147	CONNECTOR (MALE) 12P	1						
P921-23	VJP3203A020Z	CONNECTOR (MALE) 20P	3						
P931	VJS2898A100	CONNECTOR	1						
P932	VJS2898A064	CONNECTOR (FEMALE) 64P	1						
P933-35	VJS2898A100	CONNECTOR	3						
P941,42	VJS2898A064	CONNECTOR (FEMALE) 64P	2						
P961-64	VJS3152	CONNECTOR (FEMALE)	4						
P971-74	VJS3490A13	CONNECTOR	4						
		MISCELLANEOUS							
E38	VMP4222	CONNECTOR ANGLE (1)	1						
E39	VMP4223	CONNECTOR ANGLE (2)	1						
E42	VJF0456	BINDER	2						
E41	XYE3+EF8FZ	SCREW	17						
	VMT0076	RUBBER CUSHION	4						
E40	XTV26+BJ	SCREW	14						





Ref.No.	Part No.	Part Name & Description	Pcs	Remarks	Ref.No.	Part No.	Part Name & Description	Pcs	Remarks
	VEP03B43C	P.C. BOARD W/COMPONENT VIDEO I/O		AG-8700E	C3207	ECUM1H220JCN	C.CAPACITOR CH 50V 22P	1	
C3001-03	ECUM1H103KBN	C.CAPACITOR CH 50V 0.01U	3		C3208	ECUM1H103KBN	C.CAPACITOR CH 50V 0.01U	1	
C3004	ECUM1H223KBN	C.CAPACITOR 50V 0.022U	1		C3209	ECUM1C105ZFN	C.CAPACITOR CH 16V 1U	1	
C3005	ECEV1HVR47Q	E.CAPACITOR 50V 0.47U	1		C3210	ECUM1E104ZFN	C.CAPACITOR CH 25V 0.1U	1	
C3006	ECUM1E104ZFN	C.CAPACITOR CH 25V 0.1U	1		C3211	ECUM1H103KBN	C.CAPACITOR CH 50V 0.01U	1	
C3007	ECUM1H101JCN	C.CAPACITOR CH 50V 100P	1		C3212	ECUM1C224KBM	C.CAPACITOR CH 16V 0.22U	1	
C3008	ECUM1C105ZFN	C.CAPACITOR CH 16V 1U	1		C3213	ECUM1H102JCN	C.CAPACITOR CH 50V 1000P	1	
C3009	ECUM1H103KBN	C.CAPACITOR CH 50V 0.01U	1		C3214,15	ECUM1H103KBN	C.CAPACITOR CH 50V 0.01U	2	
C3010	ECUM1H680JCN	C.CAPACITOR CH 50V 68P	1		C3216	ECUM1E104ZFN	C.CAPACITOR CH 25V 0.1U	1	
C3011	ECUM1H391JCN	C.CAPACITOR CH 50V 390P	1		C3217,18	ECUM1H103KBN	C.CAPACITOR CH 50V 0.01U	2	
C3012	ECUM1H103KBN	C.CAPACITOR CH 50V 0.01U	1		C3220	ECEVOGV101Q	E.CAPACITOR 4V 100U	1	
C3013	ECUM1H270JCN	C.CAPACITOR CH 50V 27P	1		C3221	ECUM1E104ZFN	C.CAPACITOR CH 25V 0.1U	1	
C3014	ECUM1H220JCN	C.CAPACITOR CH 50V 22P	1		C3223	ECUM1H152KBN	C.CAPACITOR CH 50V 1500P	1	
C3015	ECUM1H103KBN	C.CAPACITOR CH 50V 0.01U	1		C3224	ECUM1C224KBM	C.CAPACITOR CH 16V 0.22U	1	
C3016	ECEV1HV3R3Q	E.CAPACITOR 50V 3.3U	1		C3225	ECUM1H103ZFN	C.CAPACITOR 50V 0.01U	1	
C3017	ECUM1H560JCN	C.CAPACITOR CH 50V 56P	1		C3226,27	ECEVOJV470Q	E.CAPACITOR 6.3V 47U	2	
C3018-20	ECUM1H103KBN	C.CAPACITOR CH 50V 0.01U	3		C3228	ECUM1H471JCN	C.CAPACITOR CH 50V 470P	1	
C3021	ECUM1H221JCN	C.CAPACITOR CH 50V 220P	1		C3229,30	ECUM1H561JCN	C.CAPACITOR CH 50V 560P	2	
C3022-24	ECUM1H103KBN	C.CAPACITOR CH 50V 0.01U	3		C3231	ECEVOJV330Q	E.CAPACITOR 6.3V 33U	1	
C3025	ECEVOJV470Q	E.CAPACITOR 6.3V 47U	1		C3232	ECUM1H330JCN	C.CAPACITOR CH 50V 33P	1	
C3026	ECUM1H560JCN	C.CAPACITOR CH 50V 56P	1		C3233	ECEV1EVAR7Q	E.CAPACITOR 25V 4.7U	1	
C3027	ECEVOJV470Q	E.CAPACITOR 6.3V 47U	1		C3234,35	ECEVOJV470Q	E.CAPACITOR 6.3V 47U	2	
C3028-30	ECUM1H103KBN	C.CAPACITOR CH 50V 0.01U	3		C3237	ECUM1H103ZFN	C.CAPACITOR 50V 0.01U	1	
C3032,33	ECUM1H220JCN	C.CAPACITOR CH 50V 22P	2		C3238	ECEV1EN4R7Q	E.CAPACITOR 25V 4.7U	1	
C3034	ECUM1H820JCN	C.CAPACITOR CH 50V 82P	1		C3239-41	ECEVOJV470Q	E.CAPACITOR 6.3V 47U	3	
C3035	ECUM1H220JCN	C.CAPACITOR CH 50V 22P	1		C3242	ECEVICV100Q	E.CAPACITOR 16V 10U	1	
C3037	ECUM1H070JCN	C.CAPACITOR CH 50V 7P	1		C3244,45	ECEV1EVAR7Q	E.CAPACITOR 25V 4.7U	2	
C3038	ECEVOJV470Q	E.CAPACITOR 6.3V 47U	1		C3246	ECUM1C105ZFN	C.CAPACITOR CH 16V 1U	1	
C3039,40	ECUM1H103KBN	C.CAPACITOR CH 50V 0.01U	2		C3247	ECEV1HVR47Q	E.CAPACITOR 50V 0.47U	1	
C3041	ECEVICV100Q	E.CAPACITOR 16V 10U	1		C3248	ECUM1C224KBM	C.CAPACITOR CH 16V 0.22U	1	
C3042	ECUM1H271JCN	C.CAPACITOR CH 50V 270P	1		C3251	ECUM1H070JCN	C.CAPACITOR CH 50V 7P	1	
C3043	ECUM1H103KBN	C.CAPACITOR CH 50V 0.01U	1		C3253,54	ECUM1H220JCN	C.CAPACITOR CH 50V 22P	2	
C3044	ECEVICV100Q	E.CAPACITOR 16V 10U	1		C3255	ECEVOJV470Q	E.CAPACITOR 6.3V 47U	1	
C3045-48	ECUM1H103KBN	C.CAPACITOR CH 50V 0.01U	4		C3256-58	ECUM1C224KBM	C.CAPACITOR CH 16V 0.22U	3	
C3049	ECUM1H820JCN	C.CAPACITOR CH 50V 82P	1		C3259	ECUM1H103ZFN	C.CAPACITOR 50V 0.01U	1	
C3050,51	ECUM1H330JCN	C.CAPACITOR CH 50V 33P	2		C3260	ECUM1H471JCN	C.CAPACITOR CH 50V 470P	1	
C3052	ECEVOJV220Q	E.CAPACITOR 6.3V 22U	1		C3261	ECUM1C224KBM	C.CAPACITOR CH 16V 0.22U	1	
C3053	ECUM1H330JCN	C.CAPACITOR CH 50V 33P	1		C3262	ECUM1H330JCN	C.CAPACITOR CH 50V 33P	1	
C3080,81	ECUM1H103KBN	C.CAPACITOR CH 50V 0.01U	2		C3263	ECUM1H560JCN	C.CAPACITOR CH 50V 56P	1	
C3083	ECUM1H681JCN	C.CAPACITOR CH 50V 680P	1		C3268	ECUM1C224KBM	C.CAPACITOR CH 16V 0.22U	1	
C3085	ECQV1H104JZ	P.CAPACITOR 50V 0.1U	1		C3269	ECEVOJV470Q	E.CAPACITOR 6.3V 47U	1	
C3086	ECUM1H270JCN	C.CAPACITOR CH 50V 27P	1		C3297	ECEVICV100Q	E.CAPACITOR 16V 10U	1	
C3087	ECUM1E104ZFN	C.CAPACITOR CH 25V 0.1U	1		C3298	ECUM1H103ZFN	C.CAPACITOR 50V 0.01U	1	
C3088	ECUM1C105ZFN	C.CAPACITOR CH 16V 1U	1		C3299	ECUM1C224KBM	C.CAPACITOR CH 16V 0.22U	1	
C3102	ECQV1H104JZ	P.CAPACITOR 50V 0.1U	1		C3305	ECUM1E104ZFN	C.CAPACITOR CH 25V 0.1U	1	
C3103	ECQV1H154JZ	P.CAPACITOR 50V 0.15U	1		C3306-18	ECUM1H103KBN	C.CAPACITOR CH 50V 0.01U	13	
C3105,06	ECUM1C105ZFN	C.CAPACITOR CH 16V 1U	2		C3319-23	ECUM1H104ZFN	C.CAPACITOR 50V 0.1U	5	
C3107	ECUM1H820JCN	C.CAPACITOR CH 50V 82P	1		C3325	ECUM1H121JCN	C.CAPACITOR CH 50V 120P	1	
C3108	ECUM1H101JCN	C.CAPACITOR CH 50V 100P	1		C3326	ECUM1H151JCN	C.CAPACITOR CH 50V 150P	1	
C3109,10	ECUM1H103KBN	C.CAPACITOR CH 50V 0.01U	2		C3327	ECUM1H180JCN	C.CAPACITOR CH 50V 18P	1	
C3111	ECUM1H102JCN	C.CAPACITOR CH 50V 1000P	1		C3328	ECUM1H221JCN	C.CAPACITOR CH 50V 220P	1	
C3112-14	ECUM1H103ZFN	C.CAPACITOR 50V 0.01U	3		C3329	ECUM1H271JCN	C.CAPACITOR CH 50V 270P	1	
C3115-20	ECUM1E104ZFN	C.CAPACITOR CH 25V 0.1U	6		C3330	ECUM1H331JCN	C.CAPACITOR CH 50V 330P	1	
C3121	ECUM1H561JCN	C.CAPACITOR CH 50V 560P	1		C3331	ECUM1H391JCN	C.CAPACITOR CH 50V 390P	1	
C3122,23	ECUM1H151JCN	C.CAPACITOR CH 50V 150P	2		C3332	ECUM1H390JCN	C.CAPACITOR CH 50V 39P	1	
C3124	ECUM1H560JCN	C.CAPACITOR CH 50V 56P	1		C3334	ECUM1H100JCN	C.CAPACITOR CH 50V 10P	1	
C3125-27	ECUM1E104ZFN	C.CAPACITOR CH 25V 0.1U	3		C3336	ECUM1H181JCN	C.CAPACITOR CH 50V 180P	1	
C3129-32	ECEVOJV470Q	E.CAPACITOR 6.3V 47U	4		C3337	ECUM1H103ZFN	C.CAPACITOR 50V 0.01U	1	
C3133	ECEV1HV010Q	E.CAPACITOR 50V 1U	1		C3338-41	ECEVOJV470Q	E.CAPACITOR 6.3V 47U	4	
C3135,36	ECUM1E104ZFN	C.CAPACITOR CH 25V 0.1U	2		C3342	ECEV1HV3R3Q	E.CAPACITOR 50V 3.3U	1	
C3138	ECUM1E104ZFN	C.CAPACITOR CH 25V 0.1U	1		C3343	ECUM1H180JCN	C.CAPACITOR CH 50V 18P	1	
C3139	ECUM1C105ZFN	C.CAPACITOR CH 16V 1U	1		C3344	ECUM1H103KBN	C.CAPACITOR CH 50V 0.01U	1	
C3140	ECUM1H103KBN	C.CAPACITOR CH 50V 0.01U	1		C3345,46	ECUM1H330JCN	C.CAPACITOR CH 50V 33P	2	
C3141	ECUM1H101JCN	C.CAPACITOR CH 50V 100P	1		C3347	ECUM1H680JCN	C.CAPACITOR CH 50V 68P	1	
C3201	ECEVOJV470Q	E.CAPACITOR 6.3V 47U	1		C3401	ECEVOJV470Q	E.CAPACITOR 6.3V 47U	1	
C3202	ECUM1C224KBM	C.CAPACITOR CH 16V 0.22U	1		C3402	ECUM1H103KBN	C.CAPACITOR CH 50V 0.01U	1	
C3203	ECUM1C392GB	P.CAPACITOR 16V 3900P	1		C3404-06	ECUM1H103KBN	C.CAPACITOR CH 50V 0.01U	3	
C3204	ECQV1H154JZ	P.CAPACITOR 50V 0.15U	1		C3443-46	ECUM1H103KBN	C.CAPACITOR CH 50V 0.01U	4	
C3205	ECQV1H334JZ	P.CAPACITOR 50V 0.33U	1		C3447,48	ECUM1H150JCN	C.CAPACITOR CH 50V 15P	2	
C3206	ECUM1E104ZFN	C.CAPACITOR CH 25V 0.1U	1		C3449-65	ECUM1H103ZFN	C.CAPACITOR 50V 0.01U	17	
					C3466	ECEVICV100Q	E.CAPACITOR 16V 10U	1	
					C3467	ECEV1HV2R2Q	E.CAPACITOR 50V 2.2U	1	
					C3468-71	ECEVOJV220Q	E.CAPACITOR 6.3V 22U	4	
					C3472	ECEVOJV470Q	E.CAPACITOR 6.3V 47U	1	
					C3473	ECEVICV100Q	E.CAPACITOR 16V 10U	1	



Ref.No.	Part No.	Part Name & Description	Pcs	Remarks	Ref.No.	Part No.	Part Name & Description	Pcs	Remarks
Q3013,14	MSC2295-B	TRANSISTOR	2	<R>	R3023	ERJ6GEYG472	M.RESISTOR CH 1/10W 4.7K	1	
Q3015	MSB709-R	TRANSISTOR	1	<R>	R3025	ERJ6GEYJ103	M.RESISTOR CH 1/10W 10K	1	
Q3016	MSC2295-B	TRANSISTOR	1	<R>	R3026	ERJ6GEYJ332	M.RESISTOR CH 1/10W 3.3K	1	
Q3101	MSC2295-B	TRANSISTOR	1	<R>	R3027	ERJ6GEYJ683	M.RESISTOR CH 1/10W 68K	1	
Q3104,05	MSC2295-B	TRANSISTOR	2	<R>	R3029	ERJ6GEYJ473	M.RESISTOR CH 1/10W 47K	1	
Q3106	MSB709-R	TRANSISTOR	1	<R>	R3030	ERJ6GEYJ102	M.RESISTOR CH 1/10W 1K	1	
Q3107	MSC2295-B	TRANSISTOR	1	<R>	R3031-33	ERJ6GEYJ103	M.RESISTOR CH 1/10W 10K	3	
Q3108	MSB709-R	TRANSISTOR	1	<R>	R3034	ERJ6GEYJ102	M.RESISTOR CH 1/10W 1K	1	
Q3109	MSC2295-B	TRANSISTOR	1	<R>	R3036	ERJ6GEYJ102	M.RESISTOR CH 1/10W 1K	1	
Q3111	MSB709-R	TRANSISTOR	1	<R>	R3037	ERJ6GEYJ105	M.RESISTOR CH 1/10W 1M	1	
Q3112	MSD601-R	TRANSISTOR	1	<R>	R3038	ERJ6GEYJ393	M.RESISTOR CH 1/10W 39K	1	
Q3113	MSC2295-B	TRANSISTOR	1	<R>	R3039	ERJ6GEYJ103	M.RESISTOR CH 1/10W 10K	1	
Q3114,15	MSD601-R	TRANSISTOR	2	<R>	R3040	ERJ6GEYJ473	M.RESISTOR CH 1/10W 47K	1	
Q3116	MSC2295-B	TRANSISTOR	1	<R>	R3041	ERJ6GEYJ563	M.RESISTOR CH 1/10W 56K	1	
Q3117,18	MSD601-R	TRANSISTOR	2	<R>	R3042	ERJ6GEYJ681	M.RESISTOR CH 1/10W 680	1	
Q3119	MSC2295-B	TRANSISTOR	1	<R>	R3044-46	ERJ6GEYJ102	M.RESISTOR CH 1/10W 1K	3	
Q3120	MSD601-R	TRANSISTOR	1	<R>	R3047	ERJ6GEYJ121	M.RESISTOR CH 1/10W 120	1	
Q3121	XN1213	TRANSISTOR-TRANSISTOR	1	<R>	R3048	ERJ6GEYJ122	M.RESISTOR CH 1/10W 1.2K	1	
Q3122	MSB709-R	TRANSISTOR	1	<R>	R3049,50	ERJ6GEYJ561	M.RESISTOR CH 1/10W 560	2	
Q3201-03	MSD601-R	TRANSISTOR	3	<R>	R3051	ERJ6GEYJ272	M.RESISTOR CH 1/10W 2.7K	1	
Q3204-08	MSC2295-B	TRANSISTOR	5	<R>	R3052	ERJ6GEYJ102	M.RESISTOR CH 1/10W 1K	1	
Q3210,11	MSD601-R	TRANSISTOR	2	<R>	R3053	ERJ6GEYJ122	M.RESISTOR CH 1/10W 1.2K	1	
Q3213	XN1504	TRANSISTOR	1	<R>	R3054	ERJ6GEYJ221	M.RESISTOR CH 1/10W 220	1	
Q3214-17	MSD601-R	TRANSISTOR	4	<R>	R3055	ERJ6GEYJ561	M.RESISTOR CH 1/10W 560	1	
Q3219	MSD601-R	TRANSISTOR	1	<R>	R3056	ERJ6GEYJ102	M.RESISTOR CH 1/10W 1K	1	
Q3221	MSD601-R	TRANSISTOR	1	<R>	R3057	ERJ6GEYG472	M.RESISTOR CH 1/10W 4.7K	1	
Q3222	MSC2295-B	TRANSISTOR	1	<R>	R3058,59	ERJ6GEYJ102	M.RESISTOR CH 1/10W 1K	2	
Q3223	MSD601-R	TRANSISTOR	1	<R>	R3060	ERJ6GEYJ682	M.RESISTOR CH 1/10W 6.8K	1	
Q3224	MSC2295-B	TRANSISTOR	1	<R>	R3061	ERJ6GEYJ152	M.RESISTOR CH 1/10W 1.5K	1	
Q3301	MSD601-R	TRANSISTOR	1	<R>	R3065	ERJ6GEYJ471	M.RESISTOR CH 1/10W 470	1	
Q3302	MSB709-R	TRANSISTOR	1	<R>	R3067,68	ERJ6GEYJ102	M.RESISTOR CH 1/10W 1K	2	
Q3303	MSD601-R	TRANSISTOR	1	<R>	R3069	ERJ6GEYJ561	M.RESISTOR CH 1/10W 560	1	
Q3304	MSC2295-B	TRANSISTOR	1	<R>	R3070	ERJ6GEYJ102	M.RESISTOR CH 1/10W 1K	1	
Q3305	MSB709-R	TRANSISTOR	1	<R>	R3071	ERJ6GEYJ103	M.RESISTOR CH 1/10W 10K	1	
Q3306-11	MSD601-R	TRANSISTOR	6	<R>	R3072	ERJ6GEYJ182	M.RESISTOR CH 1/10W 1.8K	1	
Q3312	MSC2295-B	TRANSISTOR	1	<R>	R3073	ERJ6GEYJ223	M.RESISTOR CH 1/10W 22K	1	
Q3401	MSD601-R	TRANSISTOR	1	<R>	R3074	ERJ6GEYJ102	M.RESISTOR CH 1/10W 1K	1	
Q3601,02	MSD601-R	TRANSISTOR	2	<R>	R3075	ERJ6GEYJ561	M.RESISTOR CH 1/10W 560	1	
Q3603	MSC2295-B	TRANSISTOR	1	<R>	R3077	ERJ6GEYOR00	M.RESISTOR CH 1/10W 0	1	
Q3604	2SA1022-C	TRANSISTOR	1	<R>	R3079	ERJ6GEYJ222	M.RESISTOR CH 1/10W 2.2K	1	
					R3080	ERJ6GEYJ224	M.RESISTOR CH 1/10W 220K	1	
					R3081	ERJ6GEYJ561	M.RESISTOR CH 1/10W 560	1	
					R3082	ERJ6GEYJ681	M.RESISTOR CH 1/10W 680	1	
					R3083	ERJ6GEYJ102	M.RESISTOR CH 1/10W 1K	1	
QR3001	MRN2404	TRANSISTOR	1	<R>	R3084	ERJ6GEYJ681	M.RESISTOR CH 1/10W 680	1	
QR3002	DTC363EK	TRANSISTOR-RESISTOR	1	<R>	R3085	ERJ6GEYJ102	M.RESISTOR CH 1/10W 1K	1	
QR3003,04	MRN1404	TRANSISTOR	2	<R>	R3086	ERJ6GEYJ331	M.RESISTOR CH 1/10W 330	1	
QR3005	MRN2404	TRANSISTOR	1	<R>	R3089	ERJ6GEYJ152	M.RESISTOR CH 1/10W 1.5K	1	
QR3006	MRN1404	TRANSISTOR	1	<R>	R3090	ERJ6GEYJ102	M.RESISTOR CH 1/10W 1K	1	
QR3009	MRN2404	TRANSISTOR	1	<R>	R3104-14	ERJ6GEYJ102	M.RESISTOR CH 1/10W 1K	11	
QR3010,11	MRN1404	TRANSISTOR	2	<R>	R3115	ERJ6GEYJ272	M.RESISTOR CH 1/10W 2.7K	1	
QR3102	MRN2404	TRANSISTOR	1	<R>	R3116,17	ERJ6GEYJ102	M.RESISTOR CH 1/10W 1K	2	
QR3201,02	MRN1404	TRANSISTOR	2	<R>	R3118	ERJ6GEYJ151	M.RESISTOR CH 1/10W 150	1	
QR3401	XN4501	TRANSISTOR-RESISTOR	1	<R>	R3119-28	ERJ6GEYJ152	M.RESISTOR CH 1/10W 1.5K	10	
QR3601	MRN1404	TRANSISTOR	1	<R>	R3129	ERJ6GEYG153	M.RESISTOR CH 1/10W 15K	1	
					R3130	ERJ6GEYJ272	M.RESISTOR CH 1/10W 2.7K	1	
					R3131,32	ERJ6GEYJ222	M.RESISTOR CH 1/10W 2.2K	2	
R3001	ERJ6GEYJ271	M.RESISTOR CH 1/10W 270	1		R3133,34	ERJ6GEYJ102	M.RESISTOR CH 1/10W 1K	2	
R3002	ERJ6GEYJ681	M.RESISTOR CH 1/10W 680	1		R3135	ERJ6GEYJ182	M.RESISTOR CH 1/10W 1.8K	1	
R3003	ERJ6GEYJ105	M.RESISTOR CH 1/10W 1M	1		R3136-39	ERJ6GEYJ223	M.RESISTOR CH 1/10W 22K	4	
R3004	ERJ6GEYJ103	M.RESISTOR CH 1/10W 10K	1		R3140	ERJ6GEYJ330	M.RESISTOR CH 1/10W 33	1	
R3005	ERJ6GEYJ332	M.RESISTOR CH 1/10W 3.3K	1		R3141,42	ERJ6GEYG333	M.RESISTOR CH 1/10W 33K	2	
R3006	ERJ6GEYJ223	M.RESISTOR CH 1/10W 22K	1		R3143	ERJ6GEYJ222	M.RESISTOR CH 1/10W 2.2K	1	
R3007,08	ERJ6GEYJ332	M.RESISTOR CH 1/10W 3.3K	2		R3144	ERJ6GEYJ393	M.RESISTOR CH 1/10W 39K	1	
R3009	ERJ6GEYJ182	M.RESISTOR CH 1/10W 1.8K	1		R3145	ERJ6GEYJ470	M.RESISTOR CH 1/10W 47	1	
R3010,11	ERJ6GEYJ103	M.RESISTOR CH 1/10W 10K	2		R3146	ERJ6GEYJ272	M.RESISTOR CH 1/10W 2.7K	1	
R3012	ERJ6GEYJ820	M.RESISTOR CH 1/10W 82	1		R3147	ERJ6GEYJ471	M.RESISTOR CH 1/10W 470	1	
R3013	ERJ6GEYG472	M.RESISTOR CH 1/10W 4.7K	1		R3149,50	ERJ6GEYG472	M.RESISTOR CH 1/10W 4.7K	2	
R3015	ERJ6GEYJ183	M.RESISTOR CH 1/10W 18K	1		R3151	ERJ6GEYJ471	M.RESISTOR CH 1/10W 470	1	
R3016	ERJ6GEYOR00	M.RESISTOR CH 1/10W 0	1		R3152	ERJ6GEYJ391	M.RESISTOR CH 1/10W 390	1	
R3018	ERJ6GEYG472	M.RESISTOR CH 1/10W 4.7K	1		R3153	ERJ6GEYJ681	M.RESISTOR CH 1/10W 680	1	
R3019	ERJ6GEYJ271	M.RESISTOR CH 1/10W 270	1		R3154	ERJ6GEYOR00	M.RESISTOR CH 1/10W 0	1	
R3020	ERJ6GEYJ821	M.RESISTOR CH 1/10W 820	1		R3156	ERJ6GEYJ152	M.RESISTOR CH 1/10W 1.5K	1	
R3021	ERJ6GEYG472	M.RESISTOR CH 1/10W 4.7K	1		R3157,58	ERJ6GEYJ272	M.RESISTOR CH 1/10W 2.7K	2	
R3022	ERJ6GEYJ103	M.RESISTOR CH 1/10W 10K	1		R3159	ERJ6GEYJ102	M.RESISTOR CH 1/10W 1K	1	

Ref.No.	Part No.	Part Name & Description	Pcs	Remarks	Ref.No.	Part No.	Part Name & Description	Pcs	Remarks
R3200	ERJ6GEYJ271	M.RESISTOR CH 1/10W 270	1		R3289	ERJ6GEYJ103	M.RESISTOR CH 1/10W 10K	1	
R3201	ERJ6GEYOR00	M.RESISTOR CH 1/10W 0	1		R3290	ERJ6GEYJ105	M.RESISTOR CH 1/10W 1M	1	
R3203-05	ERJ6GEYJ102	M.RESISTOR CH 1/10W 1K	3		R3291	ERJ6GEYJ561	M.RESISTOR CH 1/10W 560	1	
R3206	ERJ6GEYJ153	M.RESISTOR CH 1/10W 15K	1		R3292	ERJ6GEYJ151	M.RESISTOR CH 1/10W 150	1	
R3207	ERJ6GEYJ223	M.RESISTOR CH 1/10W 22K	1		R3293	ERJ6GEYJ222	M.RESISTOR CH 1/10W 2.2K	1	
R3208	ERJ6GEYJ391	M.RESISTOR CH 1/10W 390	1		R3294	ERJ6GEYJ153	M.RESISTOR CH 1/10W 15K	1	
R3209	ERJ6GEYJ333	M.RESISTOR CH 1/10W 33K	1		R3295	ERJ6GEYJ152	M.RESISTOR CH 1/10W 1.5K	1	
R3210	ERJ6GEYJ222	M.RESISTOR CH 1/10W 2.2K	1		R3296	ERJ6GEYJ103	M.RESISTOR CH 1/10W 10K	1	
R3211	ERJ6GEYOR00	M.RESISTOR CH 1/10W 0	1		R3297	ERJ6GEYJ472	M.RESISTOR CH 1/10W 4.7K	1	
R3212	ERJ6GEYJ153	M.RESISTOR CH 1/10W 15K	1		R3298,99	ERJ6GEYJ562	M.RESISTOR CH 1/10W 5.6K	2	
R3213	ERJ6GEYJ561	M.RESISTOR CH 1/10W 560	1		R3300	ERJ6GEYJ105	M.RESISTOR CH 1/10W 1M	1	
R3214-16	ERJ6GEYJ102	M.RESISTOR CH 1/10W 1K	3		R3302	ERJ6GEYOR00	M.RESISTOR CH 1/10W 0	1	
R3217	ERJ6GEYJ271	M.RESISTOR CH 1/10W 270	1		R3305	ERJ6GEYOR00	M.RESISTOR CH 1/10W 0	1	
R3218	ERJ6GEYJ103	M.RESISTOR CH 1/10W 10K	1		R3306	ERJ6GEYJ101	M.RESISTOR CH 1/10W 100	1	
R3219	ERJ6GEYJ102	M.RESISTOR CH 1/10W 1K	1		R3308	ERJ6GEYJ122	M.RESISTOR CH 1/10W 1.2K	1	
R3220	ERJ6GEYJ820	M.RESISTOR CH 1/10W 82	1		R3309,10	ERJ6GEYJ102	M.RESISTOR CH 1/10W 1K	2	
R3221-23	ERJ6GEYJ103	M.RESISTOR CH 1/10W 10K	3		R3311	ERJ6GEYJ391	M.RESISTOR CH 1/10W 390	1	
R3224	ERJ6GEYJ393	M.RESISTOR CH 1/10W 39K	1		R3312-16	ERJ6GEYJ102	M.RESISTOR CH 1/10W 1K	5	
R3225	ERJ6GEYJ113	M.RESISTOR CH 1/10W 11K	1		R3317	ERJ6GEYJ103	M.RESISTOR CH 1/10W 10K	1	
R3226	ERJ6GEYJ330	M.RESISTOR CH 1/10W 33	1		R3318	ERJ6GEYJ101	M.RESISTOR CH 1/10W 100	1	
R3227	ERJ6GEYJ104	M.RESISTOR CH 1/10W 100K	1		R3319	ERJ6GEYJ221	M.RESISTOR CH 1/10W 220	1	
R3228	ERJ6GEYJ103	M.RESISTOR CH 1/10W 10K	1		R3320	ERJ6GEYJ621	M.RESISTOR CH 1/10W 620	1	
R3229	ERJ6GEYJ333	M.RESISTOR CH 1/10W 33K	1		R3321	ERJ6GEYJ152	M.RESISTOR CH 1/10W 1.5K	1	
R3230	ERJ6GEYJ103	M.RESISTOR CH 1/10W 10K	1		R3322	ERJ6GEYOR00	M.RESISTOR CH 1/10W 0	1	
R3231	ERJ6GEYJ182	M.RESISTOR CH 1/10W 1.8K	1		R3323	ERJ6GEYJ152	M.RESISTOR CH 1/10W 1.5K	1	
R3232	ERJ6GEYJ223	M.RESISTOR CH 1/10W 22K	1		R3324	ERJ6GEYJ153	M.RESISTOR CH 1/10W 15K	1	
R3233	ERJ6GEYJ472	M.RESISTOR CH 1/10W 4.7K	1		R3325,26	ERJ6GEYJ221	M.RESISTOR CH 1/10W 220	2	
R3234	ERJ6GEYJ103	M.RESISTOR CH 1/10W 10K	1		R3327-33	ERJ6GEYJ222	M.RESISTOR CH 1/10W 2.2K	7	
R3235	ERJ6GEYJ471	M.RESISTOR CH 1/10W 470	1		R3334,35	ERJ6GEYJ223	M.RESISTOR CH 1/10W 22K	2	
R3236,37	ERJ6GEYJ153	M.RESISTOR CH 1/10W 15K	2		R3336	ERJ6GEYJ152	M.RESISTOR CH 1/10W 1.5K	1	
R3238	ERJ6GEYJ473	M.RESISTOR CH 1/10W 47K	1		R3337,38	ERJ6GEYJ331	M.RESISTOR CH 1/10W 330	2	
R3239	ERJ6GEYJ151	M.RESISTOR CH 1/10W 150	1		R3339	ERJ6GEYJ152	M.RESISTOR CH 1/10W 1.5K	1	
R3240	ERJ6GEYJ103	M.RESISTOR CH 1/10W 10K	1		R3340	ERJ6GEYJ332	M.RESISTOR CH 1/10W 3.3K	1	
R3241	ERJ6GEYJ562	M.RESISTOR CH 1/10W 5.6K	1		R3341	ERJ6GEYJ511	M.RESISTOR CH 1/10W 510	1	
R3242	ERJ6GEYJ103	M.RESISTOR CH 1/10W 10K	1		R3342	ERJ6GEYJ470	M.RESISTOR CH 1/10W 47	1	
R3243	ERJ6GEYJ471	M.RESISTOR CH 1/10W 470	1		R3343	ERJ6GEYJ331	M.RESISTOR CH 1/10W 330	1	
R3244	ERJ6GEYJ561	M.RESISTOR CH 1/10W 560	1		R3344	ERJ6GEYJ472	M.RESISTOR CH 1/10W 4.7K	1	
R3245	ERJ6GEYJ153	M.RESISTOR CH 1/10W 15K	1		R3345,46	ERJ6GEYJ681	M.RESISTOR CH 1/10W 680	2	
R3246	ERJ6GEYJ331	M.RESISTOR CH 1/10W 330	1		R3347,48	ERJ6GEYJ820	M.RESISTOR CH 1/10W 82	2	
R3247-50	ERJ6GEYJ332	M.RESISTOR CH 1/10W 3.3K	4		R3349	ERJ6GEYJ821	M.RESISTOR CH 1/10W 820	1	
R3251	ERJ6GEYJ182	M.RESISTOR CH 1/10W 1.8K	1		R3351	ERJ6GEYOR00	M.RESISTOR CH 1/10W 0	1	
R3252	ERJ6GEYJ102	M.RESISTOR CH 1/10W 1K	1		R3352	ERJ6GEYJ681	M.RESISTOR CH 1/10W 680	1	
R3253	ERJ6GEYJ332	M.RESISTOR CH 1/10W 3.3K	1		R3353	ERJ6GEYOR00	M.RESISTOR CH 1/10W 0	1	
R3254	ERJ6GEYJ102	M.RESISTOR CH 1/10W 1K	1		R3354	ERJ6GEYJ222	M.RESISTOR CH 1/10W 2.2K	1	
R3255	ERJ6GEYJ393	M.RESISTOR CH 1/10W 39K	1		R3355	ERJ6GEYJ102	M.RESISTOR CH 1/10W 1K	1	
R3256	ERJ6GEYJ332	M.RESISTOR CH 1/10W 3.3K	1		R3357	ERJ6GEYJ561	M.RESISTOR CH 1/10W 560	1	
R3257,58	ERJ6GEYJ471	M.RESISTOR CH 1/10W 470	2		R3358	ERJ6GEYJ103	M.RESISTOR CH 1/10W 10K	1	
R3259	ERJ6GEYJ223	M.RESISTOR CH 1/10W 22K	1		R3359	ERJ6GEYJ221	M.RESISTOR CH 1/10W 220	1	
R3260	ERJ6GEYOR00	M.RESISTOR CH 1/10W 0	1		R3360	ERJ6GEYJ103	M.RESISTOR CH 1/10W 10K	1	
R3261	ERJ6GEYJ683	M.RESISTOR CH 1/10W 68K	1		R3361	ERJ6GEYJ182	M.RESISTOR CH 1/10W 1.8K	1	
R3262	ERJ6GEYJ103	M.RESISTOR CH 1/10W 10K	1		R3403	ERJ6GEYOR00	M.RESISTOR CH 1/10W 0	1	
R3263	ERJ6GEYJ222	M.RESISTOR CH 1/10W 2.2K	1		R3405-08	ERJ6GEYJ473	M.RESISTOR CH 1/10W 47K	4	
R3264	ERJ6GEYJ474	M.RESISTOR CH 1/10W 470K	1		R3409	ERJ6GEYOR00	M.RESISTOR CH 1/10W 0	1	
R3265	ERJ6GEYJ681	M.RESISTOR CH 1/10W 680	1		R3411,12	ERJ6GEYOR00	M.RESISTOR CH 1/10W 0	2	
R3266	ERJ6GEYJ561	M.RESISTOR CH 1/10W 560	1		R3413-16	ERJ6GEYJ473	M.RESISTOR CH 1/10W 47K	4	
R3267	ERJ6GEYJ331	M.RESISTOR CH 1/10W 330	1		R3418	ERJ6GEYOR00	M.RESISTOR CH 1/10W 0	1	
R3268	ERJ6GEYJ153	M.RESISTOR CH 1/10W 15K	1		R3419	ERJ6GEYJ100	M.RESISTOR CH 1/10W 10	1	
R3269	ERJ6GEYJ103	M.RESISTOR CH 1/10W 10K	1		R3420,21	ERJ6GEYJ101	M.RESISTOR CH 1/10W 100	2	
R3270	ERJ6GEYJ102	M.RESISTOR CH 1/10W 1K	1		R3422	ERJ6GEYJ102	M.RESISTOR CH 1/10W 1K	1	
R3271	ERJ6GEYJ682	M.RESISTOR CH 1/10W 6.8K	1		R3423	ERJ6GEYJ564	M.RESISTOR CH 1/10W 560K	1	
R3272	ERJ6GEYJ683	M.RESISTOR CH 1/10W 68K	1		R3424,25	ERJ6GEYJ103	M.RESISTOR CH 1/10W 10K	2	
R3273	ERJ6GEYJ684	M.RESISTOR CH 1/10W 680K	1		R3426	ERJ6GEYJ105	M.RESISTOR CH 1/10W 1M	1	
R3274	ERJ6GEYJ753	M.RESISTOR CH 1/10W 75K	1		R3427	ERJ6GEYJ302	M.RESISTOR CH 1/10W 3K	1	
R3275	ERJ6GEYOR00	M.RESISTOR CH 1/10W 0	1		R3428	ERJ6GEYJ473	M.RESISTOR CH 1/10W 47K	1	
R3276	VRE0034E473	M.RESISTOR CH 1/10W 47K	1		R3430-32	ERJ6GEYJ472	M.RESISTOR CH 1/10W 4.7K	3	
R3277	ERJ6GEYJ153	M.RESISTOR CH 1/10W 15K	1		R3440-44	ERJ6GEYJ472	M.RESISTOR CH 1/10W 4.7K	5	
R3278	ERJ6GEYJ103	M.RESISTOR CH 1/10W 10K	1		R3447-54	ERJ6GEYJ680	M.RESISTOR CH 1/10W 68	8	
R3279,80	ERJ6GEYJ561	M.RESISTOR CH 1/10W 560	2		R3456-60	ERJ6GEYJ680	M.RESISTOR CH 1/10W 68	5	
R3281,82	ERJ6GEYJ102	M.RESISTOR CH 1/10W 1K	2		R3461	ERJ6GEYJ333	M.RESISTOR CH 1/10W 33K	1	
R3283	ERJ6GEYJ152	M.RESISTOR CH 1/10W 1.5K	1		R3462	ERJ6GEYJ153	M.RESISTOR CH 1/10W 15K	1	
R3284	ERJ6GEYJ102	M.RESISTOR CH 1/10W 1K	1		R3463-65	ERJ6GEYJ680	M.RESISTOR CH 1/10W 68	3	
R3285	ERJ6GEYJ821	M.RESISTOR CH 1/10W 820	1		R3466	ERJ6GEYJ682	M.RESISTOR CH 1/10W 6.8K	1	
R3286	ERJ6GEYJ105	M.RESISTOR CH 1/10W 1M	1		R3468	ERJ6GEYOR00	M.RESISTOR CH 1/10W 0	1	
R3287	ERJ6GEYJ223	M.RESISTOR CH 1/10W 22K	1		R3469	ERJ6GEYJ472	M.RESISTOR CH 1/10W 4.7K	1	
R3288	ERJ6GEYJ222	M.RESISTOR CH 1/10W 2.2K	1		R3471	ERJ6GEYJ152	M.RESISTOR CH 1/10W 1.5K	1	

Ref.No.	Part No.	Part Name & Description	Pcs	Remarks
R3472	ERJ6GEYJ102	M.RESISTOR CH 1/10W 1K	1	
R3473, 74	ERJ6GEYJ561	M.RESISTOR CH 1/10W 560	2	
R3475	ERJ6GEYJ102	M.RESISTOR CH 1/10W 1K	1	
R3477	ERJ6GEYJ102	M.RESISTOR CH 1/10W 1K	1	
R3478	ERJ6GEYJ222	M.RESISTOR CH 1/10W 2.2K	1	
R3480	ERJ6GEYJ470	M.RESISTOR CH 1/10W 47	1	
R3481, 82	ERJ6GEY0R00	M.RESISTOR CH 1/10W 0	2	
R3501	ERJ6GEY0R00	M.RESISTOR CH 1/10W 0	1	
R3504	ERJ6GEYG153	M.RESISTOR CH 1/10W 15K	1	
R3505	ERJ6GEYJ223	M.RESISTOR CH 1/10W 22K	1	
R3506	ERJ6GEYJ682	M.RESISTOR CH 1/10W 6.8K	1	
R3507	ERJ6GEYJ332	M.RESISTOR CH 1/10W 3.3K	1	
R3508	ERJ6GEYJ102	M.RESISTOR CH 1/10W 1K	1	
R3509	ERJ6GEYJ103	M.RESISTOR CH 1/10W 10K	1	
R3510	ERJ6GEYJ183	M.RESISTOR CH 1/10W 18K	1	
R3511	ERJ6GEYJ273	M.RESISTOR CH 1/10W 27K	1	
R3601	ERJ6GEYJ332	M.RESISTOR CH 1/10W 3.3K	1	
R3602	ERJ6GEYJ222	M.RESISTOR CH 1/10W 2.2K	1	
R3603	ERJ6GEYJ332	M.RESISTOR CH 1/10W 3.3K	1	
R3604	ERJ6GEYJ222	M.RESISTOR CH 1/10W 2.2K	1	
R3605, 06	ERJ6GEYJ330	M.RESISTOR CH 1/10W 33	2	
R3607, 08	ERJ6GEYJ561	M.RESISTOR CH 1/10W 560	2	
R3609	ERJ6GEYJ122	M.RESISTOR CH 1/10W 1.2K	1	
R3610	ERJ6GEYJ102	M.RESISTOR CH 1/10W 1K	1	
R3611	ERJ6GEYJ821	M.RESISTOR CH 1/10W 820	1	
R3614, 15	ERJ6GEYJ223	M.RESISTOR CH 1/10W 22K	2	
SW3401, 02	VSR0045	SWITCH	2	<R>
VR3001, 02	EVM7JGA00B24	V.RESISTOR	2	
VR3003	EVN32CA00B24	VARIABLE 20K	1	
VR3004-08	EVN32CA00B54	V.RESISTOR 50K	5	
VR3101, 02	EVM7DGA00B13	V.RESISTOR 1K	2	
VR3201, 02	EVM7DGA00B13	V.RESISTOR 1K	2	
VR3301	EVM7DGA00B23	V.RESISTOR 2K	1	
VR3401	EVN32CA00B24	VARIABLE 20K	1	
X3401	VX0540	CRYSTAL OSCILLATOR	1	<R>
		MISCELLANEOUS		
E111	VSC2051	SHIELD CASE (MIDDLE)	1	
E112	VSC2052	SHIELD CASE (LOWER)	1	

Ref.No.	Part No.	Part Name & Description	Pcs	Remarks
	VEP03B43D	P.C. BOARD W/COMPONENT VIDEO I/O		AG-8600E
C3001-03	ECUM1H103KBN	C.CAPACITOR CH 50V 0.01U	3	
C3006	ECUM1E104ZFN	C.CAPACITOR CH 25V 0.1U	1	
C3007	ECUM1H101JCN	C.CAPACITOR CH 50V 100P	1	
C3008	ECUM1C105ZFN	C.CAPACITOR 16V 1U	1	
C3009	ECUM1H103KBN	C.CAPACITOR CH 50V 0.01U	1	
C3010	ECUM1H680JCN	C.CAPACITOR CH 50V 68P	1	
C3011	ECUM1H391JCN	C.CAPACITOR CH 50V 390P	1	
C3012	ECUM1H103KBN	C.CAPACITOR CH 50V 0.01U	1	
C3013	ECUM1H270JCN	C.CAPACITOR CH 50V 27P	1	
C3014	ECUM1H220JCN	C.CAPACITOR CH 50V 22P	1	
C3015	ECUM1H103KBN	C.CAPACITOR CH 50V 0.01U	1	
C3016	ECEV1HV3R3Q	E.CAPACITOR 50V 3.3U	1	
C3017	ECUM1H560JCN	C.CAPACITOR CH 50V 56P	1	
C3018-20	ECUM1H103KBN	C.CAPACITOR CH 50V 0.01U	3	
C3021	ECUM1H221JCN	C.CAPACITOR CH 50V 220P	1	
C3022-24	ECUM1H103KBN	C.CAPACITOR CH 50V 0.01U	3	
C3025	ECEV0JV470Q	E.CAPACITOR 6.3V 47U	1	
C3026	ECUM1H560JCN	C.CAPACITOR CH 50V 56P	1	
C3027	ECEV0JV470Q	E.CAPACITOR 6.3V 47U	1	
C3028-30	ECUM1H103KBN	C.CAPACITOR CH 50V 0.01U	3	
C3032, 33	ECUM1H220JCN	C.CAPACITOR CH 50V 22P	2	
C3034	ECUM1H820JCN	C.CAPACITOR CH 50V 82P	1	
C3035	ECUM1H220JCN	C.CAPACITOR CH 50V 22P	1	
C3037	ECUM1H070DCN	C.CAPACITOR CH 50V 7P	1	
C3038	ECEV0JV470Q	E.CAPACITOR 6.3V 47U	1	
C3039, 40	ECUM1H103KBN	C.CAPACITOR CH 50V 0.01U	2	
C3041	ECEV1CV100Q	E.CAPACITOR 16V 10U	1	
C3042	ECUM1H271JCN	C.CAPACITOR CH 50V 270P	1	
C3043	ECUM1H103KBN	C.CAPACITOR CH 50V 0.01U	1	
C3044	ECEV1CV100Q	E.CAPACITOR 16V 10U	1	
C3045-48	ECUM1H103KBN	C.CAPACITOR CH 50V 0.01U	4	
C3049	ECUM1H820JCN	C.CAPACITOR CH 50V 82P	1	
C3050, 51	ECUM1H330JCN	C.CAPACITOR CH 50V 33P	2	
C3053	ECUM1H330JCN	C.CAPACITOR CH 50V 33P	1	
C3080, 81	ECUM1H103KBN	C.CAPACITOR CH 50V 0.01U	2	
C3083	ECUM1H681JCN	C.CAPACITOR CH 50V 680P	1	
C3085	ECQV1H104JZ	P.CAPACITOR 50V 0.1U	1	
C3086	ECUM1H270JCN	C.CAPACITOR CH 50V 27P	1	
C3087	ECUM1E104ZFN	C.CAPACITOR CH 25V 0.1U	1	
C3088	ECUM1C105ZFN	C.CAPACITOR 16V 1U	1	
C3102	ECQV1H104JZ	P.CAPACITOR 50V 0.1U	1	
C3103	ECQV1H154JZ	P.CAPACITOR 50V 0.15U	1	
C3105, 06	ECUM1C105ZFN	C.CAPACITOR 16V 1U	2	
C3107	ECUM1H820JCN	C.CAPACITOR CH 50V 82P	1	
C3108	ECUM1H101JCN	C.CAPACITOR CH 50V 100P	1	
C3109, 10	ECUM1H103KBN	C.CAPACITOR CH 50V 0.01U	2	
C3111	ECUM1H102JCN	C.CAPACITOR CH 50V 1000P	1	
C3112-14	ECUM1H103ZFN	C.CAPACITOR 50V 0.01U	3	
C3115-20	ECUM1E104ZFN	C.CAPACITOR CH 25V 0.1U	6	
C3121	ECUM1H561JCN	C.CAPACITOR CH 50V 560P	1	
C3122, 23	ECUM1H151JCN	C.CAPACITOR CH 50V 150P	2	
C3124	ECUM1H560JCN	C.CAPACITOR CH 50V 56P	1	
C3125-27	ECUM1E104ZFN	C.CAPACITOR CH 25V 0.1U	3	
C3129-32	ECEV0JV470Q	E.CAPACITOR 6.3V 47U	4	
C3133	ECEV1HV010Q	E.CAPACITOR 50V 1U	1	
C3135, 36	ECUM1E104ZFN	C.CAPACITOR CH 25V 0.1U	2	
C3138	ECUM1E104ZFN	C.CAPACITOR CH 25V 0.1U	1	
C3139	ECUM1C105ZFN	C.CAPACITOR 16V 1U	1	
C3140	ECUM1H103KBN	C.CAPACITOR CH 50V 0.01U	1	
C3141	ECUM1H101JCN	C.CAPACITOR CH 50V 100P	1	
C3201	ECEV0JV470Q	E.CAPACITOR 6.3V 47U	1	
C3202	ECUM1C224KBM	C.CAPACITOR CH 16V 0.22U	1	
C3203	ECHU1C392GB	P.CAPACITOR 16V 3900P	1	
C3204	ECQV1H154JZ	P.CAPACITOR 50V 0.15U	1	
C3205	ECQV1H334JZ	P.CAPACITOR 50V 0.33U	1	
C3206	ECUM1E104ZFN	C.CAPACITOR CH 25V 0.1U	1	
C3207	ECUM1H220JCN	C.CAPACITOR CH 50V 22P	1	
C3208	ECUM1H103KBN	C.CAPACITOR CH 50V 0.01U	1	
C3209	ECUM1C105ZFN	C.CAPACITOR 16V 1U	1	

Ref.No.	Part No.	Part Name & Description	Pcs	Remarks	Ref.No.	Part No.	Part Name & Description	Pcs	Remarks
C3210	ECUM1E104ZFN	C.CAPACITOR CH 25V 0.1U	1		D3401	MA28W-B	DIODE	1	<R>
C3211	ECUM1H103KBN	C.CAPACITOR CH 50V 0.01U	1		D3411	MA151K	DIODE	1	<R>
C3212	ECUM1C224KBM	C.CAPACITOR CH 16V 0.22U	1		D3501	11EQS04	DIODE	1	<R>
C3213	ECUM1H102JCN	C.CAPACITOR CH 50V 1000P	1						
C3214, 15	ECUM1H103KBN	C.CAPACITOR CH 50V 0.01U	2						
C3216	ECUM1E104ZFN	C.CAPACITOR CH 25V 0.1U	1		FL3001	ELB4R031	FILTER	1	
C3217, 18	ECUM1H103KBN	C.CAPACITOR CH 50V 0.01U	2		FL3101	VLF1050	FILTER	1	
C3220	ECEVO6V101Q	E.CAPACITOR 4V 100U	1		FL3102, 03	VLF1155	FILTER	2	
C3221	ECUM1E104ZFN	C.CAPACITOR CH 25V 0.1U	1		FL3201	VLF1045	FILTER	1	
C3223	ECUM1H152KBN	C.CAPACITOR CH 50V 1500P	1		FL3202	VLF1156	FILTER	1	
C3224	ECUM1C224KBM	C.CAPACITOR CH 16V 0.22U	1		FL3203	VLF1157	FILTER	1	
C3225	ECUM1H103ZFN	C.CAPACITOR 50V 0.01U	1		FL3204	VLF1156	FILTER	1	
C3226, 27	ECEVOJ4V70Q	E.CAPACITOR 6.3V 47U	2		FL3205	VLF1157	FILTER	1	
C3228	ECUM1H471JCN	C.CAPACITOR CH 50V 470P	1		FL3401	VLF0526	FILTER	1	
C3229, 30	ECUM1H561JCN	C.CAPACITOR CH 50V 560P	2		FL3402-04	VLF0523	FILTER	3	
C3231	ECEVOJ330Q	E.CAPACITOR 6.3V 33U	1		FL3405	VLF0526	FILTER	1	
C3232	ECUM1H330JCN	C.CAPACITOR CH 50V 33P	1		FL3406	VLF1156	FILTER	1	
C3233	ECEV1E4V70Q	E.CAPACITOR 25V 4.7U	1		FL3407	VLF1157	FILTER	1	
C3234, 35	ECEVOJ4V70Q	E.CAPACITOR 6.3V 47U	2						
C3237	ECUM1H103ZFN	C.CAPACITOR 50V 0.01U	1						
C3239-41	ECEVOJ4V70Q	E.CAPACITOR 6.3V 47U	3						
C3242	ECEV1CV100Q	E.CAPACITOR 16V 10U	1						
C3244, 45	ECEV1E4V70Q	E.CAPACITOR 25V 4.7U	2		IC3001	MC74HC86F	IC	1	<R>
C3246	ECUM1C105ZFN	C.CAPACITOR 16V 1U	1		IC3002	TC7504F	IC	1	<R>
C3247	ECEV1HVR47Q	E.CAPACITOR 50V 0.47U	1		IC3003	NJM78L05UA	IC	1	<R>
C3248	ECUM1C224KBM	C.CAPACITOR CH 16V 0.22U	1		IC3004	M52083FP	IC	1	<R>
C3251	ECUM1H070DCN	C.CAPACITOR CH 50V 7P	1		IC3005	LM324NS	IC	1	<R>
C3253, 54	ECUM1H220JCN	C.CAPACITOR CH 50V 22P	2		IC3006	AN630BS	IC	1	<R>
C3255	ECEVOJ4V70Q	E.CAPACITOR 6.3V 47U	1		IC3007	MC14052BF	IC	1	<R>
C3256-58	ECUM1C224KBM	C.CAPACITOR CH 16V 0.22U	3		IC3010	AN78N05	IC	1	<R>
C3259	ECUM1H103ZFN	C.CAPACITOR 50V 0.01U	1		IC3101	NJM2234MA	IC	1	<R>
C3260	ECUM1H471JCN	C.CAPACITOR CH 50V 470P	1		IC3102	TL8823F	IC	1	<R>
C3261	ECUM1C224KBM	C.CAPACITOR CH 16V 0.22U	1		IC3103	NJM2233BMA	IC	1	<R>
C3262	ECUM1H330JCN	C.CAPACITOR CH 50V 33P	1		IC3201	NJM592MB	IC	1	<R>
C3263	ECUM1H560JCN	C.CAPACITOR CH 50V 56P	1		IC3202	MC14577CP	IC	1	<R>
C3268	ECUM1C224KBM	C.CAPACITOR CH 16V 0.22U	1		IC3203	NJM2235MA	IC	1	<R>
C3269	ECEVOJ4V70Q	E.CAPACITOR 6.3V 47U	1		IC3204	TC4W53F	IC	1	<R>
C3297	ECEV1CV100Q	E.CAPACITOR 16V 10U	1		IC3205	TA75S01F	IC	1	<R>
C3298	ECUM1H103ZFN	C.CAPACITOR 50V 0.01U	1		IC3206	AN3296S	IC	1	<R>
C3299	ECUM1C224KBM	C.CAPACITOR CH 16V 0.22U	1		IC3207	NJM78L05UA	IC	1	<R>
C3401	ECEVOJ4V70Q	E.CAPACITOR 6.3V 47U	1		IC3208	TK16031M	IC	1	<R>
C3402	ECUM1H103KBN	C.CAPACITOR CH 50V 0.01U	1		IC3401	MC74HC157AF	IC	1	<R>
C3404-06	ECUM1H103KBN	C.CAPACITOR CH 50V 0.01U	3		IC3402, 03	MC74HC163AF	IC	2	<R>
C3443-46	ECUM1H103KBN	C.CAPACITOR CH 50V 0.01U	4		IC3404	MC74HC32AF	IC	1	<R>
C3447, 48	ECUM1H150JCN	C.CAPACITOR CH 50V 15P	2		IC3405	MC74HC74AF	IC	1	<R>
C3449-65	ECUM1H103ZFN	C.CAPACITOR 50V 0.01U	17		IC3406	TC7WU04F	IC	1	<R>
C3466	ECEV1CV100Q	E.CAPACITOR 16V 10U	1		IC3407	MC74HC08AF	IC	1	<R>
C3467	ECEV1HW2R2Q	E.CAPACITOR 50V 2.2U	1		IC3408	MC74HC74AF	IC	1	<R>
C3468-71	ECEVOJ220Q	E.CAPACITOR 6.3V 22U	4		IC3409	MC74HC04AF	IC	1	<R>
C3472	ECEVOJ4V70Q	E.CAPACITOR 6.3V 47U	1		IC3410	MN4538BS	IC	1	<R>
C3473	ECEV1CV100Q	E.CAPACITOR 16V 10U	1		IC3411	HM63021FP	IC	1	<R>
C3474	ECUM1H223KBN	C.CAPACITOR 50V 0.022U	1		IC3412	MC74HC541AF	IC	1	<R>
C3475	ECUM1H101JCN	C.CAPACITOR CH 50V 100P	1		IC3413	MB40778PF	IC	1	<R>
C3476	ECUM1H220JCN	C.CAPACITOR CH 50V 22P	1		IC3414	MC74HC32AF	IC	1	<R>
C3478	ECUM1H121JCN	C.CAPACITOR CH 50V 120P	1		IC3416	TC4S30F	IC	1	<R>
C3479	ECUM1E104ZFN	C.CAPACITOR CH 25V 0.1U	1		IC3417	MC14577CP	IC	1	<R>
C3501	ECEVOJ4V101Q	E.CAPACITOR 6.3V 100U	1		IC3418	CXD1175AM	IC	1	<R>
C3502	ECUM1E104ZFN	C.CAPACITOR CH 25V 0.1U	1		IC3419	MC74HC74AF	IC	1	<R>
C3503	ECEVO6V101Q	E.CAPACITOR 4V 100U	1		IC3420	TC7508F	IC	1	<R>
C3504	ECEVOJ4V70Q	E.CAPACITOR 6.3V 47U	1		IC3421	TC7504F	IC	1	<R>
C3505	ECUM1H103ZFN	C.CAPACITOR 50V 0.01U	1						
C3506	ECUM1E104ZFN	C.CAPACITOR CH 25V 0.1U	1						
C3507	ECUM1H103ZFN	C.CAPACITOR 50V 0.01U	1						
C3508	ECEVO6V101Q	E.CAPACITOR 4V 100U	1						
C3602	ECUM1E104ZFN	C.CAPACITOR CH 25V 0.1U	1		L3001	VLQ0163J181	COIL 180UH	1	
C3603	ECUM1H470JCN	C.CAPACITOR CH 50V 47P	1		L3002	VLQ0163J390	COIL 39UH	1	
C3604	ECUM1E104ZFN	C.CAPACITOR CH 25V 0.1U	1		L3003	VLQ0163J330	COIL 33UH	1	
C3605	ECUM1H470JCN	C.CAPACITOR CH 50V 47P	1		L3006	VLQ0163J270	COIL 27UH	1	
					L3007, 08	VLQ0163J330	COIL 33UH	2	
					L3009	VLQ0163J100	COIL 10UH	1	
					L3010	VLQ0163J120	COIL 12UH	1	
					L3011	VLQ0163J180	COIL 18UH	1	
					L3012, 13	VLQ0163J100	COIL 10UH	2	
					L3014	VLQ0163J101	COIL 100UH	1	
					L3015-17	VLQ0319K101	COIL 100UH	3	
					L3018	VLQ0133J271	COIL 270UH	1	
D3002, 03	MA151K	DIODE	2	<R>					
D3201, 02	1SS283	DIODE	2	<R>					
D3203	MA151K	DIODE	1	<R>					
D3206	MA151K	DIODE	1	<R>					



Ref.No.	Part No.	Part Name & Description	Pcs	Remarks	Ref.No.	Part No.	Part Name & Description	Pcs	Remarks	
L3019	VLQ0163J101	COIL	100UH	1		QR3003,04	MRN1404	TRANSISTOR	2	<R>
L3020	VLQ0133J821	COIL	820UH	1		QR3005	MRN2404	TRANSISTOR	1	<R>
L3021	VLQ0163J151	COIL	150UH	1		QR3006	MRN1404	TRANSISTOR	1	<R>
L3022	VLQ0163J390	COIL	39UH	1		QR3009	MRN2404	TRANSISTOR	1	<R>
L3023	VLQ0163J820	COIL	82UH	1		QR3010	MRN1404	TRANSISTOR	1	<R>
L3101	VLQ0133J331	COIL	330UH	1		QR3102	MRN2404	TRANSISTOR	1	<R>
L3102	VLQ0133J561	COIL	560UH	1		QR3201,02	MRN1404	TRANSISTOR	2	<R>
L3103	VLQ0133J391	COIL	390UH	1		QR3401	XN4501	TRANSISTOR-RESISTOR	1	<R>
L3104	VLQ0133J561	COIL	560UH	1		QR3601	MRN1404	TRANSISTOR	1	<R>
L3105	VLQ0133J102	COIL	100UH	1						
L3107	VLQ0163J151	COIL	150UH	1						
L3108	VLQ0163J220	COIL	22UH	1						
L3109,10	VLQ0163J330	COIL	33UH	2						
L3111,12	VLQ0319K101	COIL	100UH	2		R3001	ERJ6GEYJ271	M.RESISTOR CH 1/10W 270	1	
L3113	VLQ0133J681	COIL	680UH	1		R3002	ERJ6GEYJ681	M.RESISTOR CH 1/10W 680	1	
L3114	VLQ0163J150	COIL	15UH	1		R3003	ERJ6GEYJ105	M.RESISTOR CH 1/10W 1M	1	
L3203	VLQ0133J271	COIL	270UH	1		R3004	ERJ6GEYJ103	M.RESISTOR CH 1/10W 10K	1	
L3205-08	VLQ0319K101	COIL	100UH	4		R3009	ERJ6GEYJ182	M.RESISTOR CH 1/10W 1.8K	1	
L3211	VLQ0163J560	COIL	56UH	1		R3010,11	ERJ6GEYJ103	M.RESISTOR CH 1/10W 10K	2	
L3212	VLQ0163J270	COIL	27UH	1		R3012	ERJ6GEYJ820	M.RESISTOR CH 1/10W 82	1	
L3225	VLQ0319K101	COIL	100UH	1		R3013	ERJ6GEYG472	M.RESISTOR CH 1/10W 4.7K	1	
L3317	VLQ0319K101	COIL	100UH	1		R3015	ERJ6GEYJ183	M.RESISTOR CH 1/10W 18K	1	
L3401-05	VLQ0319K101	COIL	100UH	5		R3016	ERJ6GEYOR00	M.RESISTOR CH 1/10W 0	1	
						R3018	ERJ6GEYG472	M.RESISTOR CH 1/10W 4.7K	1	
						R3019	ERJ6GEYJ271	M.RESISTOR CH 1/10W 270	1	
						R3020	ERJ6GEYJ821	M.RESISTOR CH 1/10W 820	1	
						R3021	ERJ6GEYG472	M.RESISTOR CH 1/10W 4.7K	1	
P3002	VJP3080	CONNECTOR (MALE)		1		R3022	ERJ6GEYJ103	M.RESISTOR CH 1/10W 10K	1	
P3931	VJP3176B100	CONNECTOR		1		R3023	ERJ6GEYG472	M.RESISTOR CH 1/10W 4.7K	1	
						R3025	ERJ6GEYJ103	M.RESISTOR CH 1/10W 10K	1	
						R3026	ERJ6GEYJ332	M.RESISTOR CH 1/10W 3.3K	1	
						R3027	ERJ6GEYJ683	M.RESISTOR CH 1/10W 68K	1	
Q3001	MSD601-R	TRANSISTOR		1	<R>	R3029	ERJ6GEYJ473	M.RESISTOR CH 1/10W 47K	1	
Q3002	2SD1328-S	TRANSISTOR		1	<R>	R3030	ERJ6GEYJ102	M.RESISTOR CH 1/10W 1K	1	
Q3004	MSC2295-B	TRANSISTOR		1	<R>	R3031-33	ERJ6GEYJ103	M.RESISTOR CH 1/10W 10K	3	
Q3005	2SK374-R	TRANSISTOR		1	<R>	R3034	ERJ6GEYJ102	M.RESISTOR CH 1/10W 1K	1	
Q3006,07	MSD601-R	TRANSISTOR		2	<R>	R3036	ERJ6GEYJ102	M.RESISTOR CH 1/10W 1K	1	
Q3008,09	MSC2295-B	TRANSISTOR		2	<R>	R3037	ERJ6GEYJ105	M.RESISTOR CH 1/10W 1M	1	
Q3010	MSB709-R	TRANSISTOR		1	<R>	R3038	ERJ6GEYJ393	M.RESISTOR CH 1/10W 39K	1	
Q3011	MSC2295-B	TRANSISTOR		1	<R>	R3039	ERJ6GEYJ103	M.RESISTOR CH 1/10W 10K	1	
Q3013,14	MSC2295-B	TRANSISTOR		2	<R>	R3040	ERJ6GEYJ473	M.RESISTOR CH 1/10W 47K	1	
Q3015	MSB709-R	TRANSISTOR		1	<R>	R3041	ERJ6GEYJ563	M.RESISTOR CH 1/10W 56K	1	
Q3016	MSC2295-B	TRANSISTOR		1	<R>	R3042	ERJ6GEYJ681	M.RESISTOR CH 1/10W 680	1	
Q3101	MSC2295-B	TRANSISTOR		1	<R>	R3044-46	ERJ6GEYJ102	M.RESISTOR CH 1/10W 1K	3	
Q3104,05	MSC2295-B	TRANSISTOR		2	<R>	R3047	ERJ6GEYJ121	M.RESISTOR CH 1/10W 120	1	
Q3106	MSB709-R	TRANSISTOR		1	<R>	R3048	ERJ6GEYJ122	M.RESISTOR CH 1/10W 1.2K	1	
Q3107	MSC2295-B	TRANSISTOR		1	<R>	R3049,50	ERJ6GEYJ561	M.RESISTOR CH 1/10W 560	2	
Q3108	MSB709-R	TRANSISTOR		1	<R>	R3051	ERJ6GEYJ272	M.RESISTOR CH 1/10W 2.7K	1	
Q3109	MSC2295-B	TRANSISTOR		1	<R>	R3052	ERJ6GEYJ102	M.RESISTOR CH 1/10W 1K	1	
Q3111	MSB709-R	TRANSISTOR		1	<R>	R3053	ERJ6GEYJ122	M.RESISTOR CH 1/10W 1.2K	1	
Q3112	MSD601-R	TRANSISTOR		1	<R>	R3054	ERJ6GEYJ221	M.RESISTOR CH 1/10W 220	1	
Q3113	MSC2295-B	TRANSISTOR		1	<R>	R3055	ERJ6GEYJ561	M.RESISTOR CH 1/10W 560	1	
Q3114,15	MSD601-R	TRANSISTOR		2	<R>	R3056	ERJ6GEYJ102	M.RESISTOR CH 1/10W 1K	1	
Q3116	MSC2295-B	TRANSISTOR		1	<R>	R3057	ERJ6GEYG472	M.RESISTOR CH 1/10W 4.7K	1	
Q3117,18	MSD601-R	TRANSISTOR		2	<R>	R3058,59	ERJ6GEYJ102	M.RESISTOR CH 1/10W 1K	2	
Q3119	MSC2295-B	TRANSISTOR		1	<R>	R3060	ERJ6GEYJ682	M.RESISTOR CH 1/10W 6.8K	1	
Q3120	MSD601-R	TRANSISTOR		1	<R>	R3061	ERJ6GEYJ152	M.RESISTOR CH 1/10W 1.5K	1	
Q3121	XN1213	TRANSISTOR-TRANSISTOR		1	<R>	R3065	ERJ6GEYJ471	M.RESISTOR CH 1/10W 470	1	
Q3122	MSB709-R	TRANSISTOR		1	<R>	R3067,68	ERJ6GEYJ102	M.RESISTOR CH 1/10W 1K	2	
Q3201-03	MSD601-R	TRANSISTOR		3	<R>	R3069	ERJ6GEYJ561	M.RESISTOR CH 1/10W 560	1	
Q3204-08	MSC2295-B	TRANSISTOR		5	<R>	R3070	ERJ6GEYJ102	M.RESISTOR CH 1/10W 1K	1	
Q3210,11	MSD601-R	TRANSISTOR		2	<R>	R3071	ERJ6GEYJ103	M.RESISTOR CH 1/10W 10K	1	
Q3213	XN1504	TRANSISTOR		1	<R>	R3072	ERJ6GEYJ182	M.RESISTOR CH 1/10W 1.8K	1	
Q3214-17	MSD601-R	TRANSISTOR		4	<R>	R3073	ERJ6GEYJ223	M.RESISTOR CH 1/10W 22K	1	
Q3219	MSD601-R	TRANSISTOR		1	<R>	R3074	ERJ6GEYJ102	M.RESISTOR CH 1/10W 1K	1	
Q3221	MSD601-R	TRANSISTOR		1	<R>	R3075	ERJ6GEYJ561	M.RESISTOR CH 1/10W 560	1	
Q3222	MSC2295-B	TRANSISTOR		1	<R>	R3077	ERJ6GEYOR00	M.RESISTOR CH 1/10W 0	1	
Q3223	MSD601-R	TRANSISTOR		1	<R>	R3079	ERJ6GEYJ222	M.RESISTOR CH 1/10W 2.2K	1	
Q3224	MSC2295-B	TRANSISTOR		1	<R>	R3080	ERJ6GEYJ224	M.RESISTOR CH 1/10W 220K	1	
Q3401	MSD601-R	TRANSISTOR		1	<R>	R3081	ERJ6GEYJ561	M.RESISTOR CH 1/10W 560	1	
Q3601,02	MSD601-R	TRANSISTOR		2	<R>	R3082	ERJ6GEYJ681	M.RESISTOR CH 1/10W 680	1	
Q3603	MSC2295-B	TRANSISTOR		1	<R>	R3083	ERJ6GEYJ102	M.RESISTOR CH 1/10W 1K	1	
Q3604	2SA1022-C	TRANSISTOR		1	<R>	R3084	ERJ6GEYJ681	M.RESISTOR CH 1/10W 680	1	
						R3085	ERJ6GEYJ102	M.RESISTOR CH 1/10W 1K	1	
						R3086	ERJ6GEYJ331	M.RESISTOR CH 1/10W 330	1	
						R3089	ERJ6GEYJ152	M.RESISTOR CH 1/10W 1.5K	1	



Ref.No.	Part No.	Part Name & Description	Pcs	Remarks	Ref.No.	Part No.	Part Name & Description	Pcs	Remarks
R3090	ERJ6GEYJ102	M.RESISTOR CH 1/10W 1K	1		R3260	ERJ6GEYOR00	M.RESISTOR CH 1/10W 0	1	
R3104-14	ERJ6GEYJ102	M.RESISTOR CH 1/10W 1K	11		R3261	ERJ6GEYJ683	M.RESISTOR CH 1/10W 68K	1	
R3115	ERJ6GEYJ272	M.RESISTOR CH 1/10W 2.7K	1		R3262	ERJ6GEYJ103	M.RESISTOR CH 1/10W 10K	1	
R3116, 17	ERJ6GEYJ102	M.RESISTOR CH 1/10W 1K	2		R3263	ERJ6GEYJ222	M.RESISTOR CH 1/10W 2.2K	1	
R3118	ERJ6GEYJ151	M.RESISTOR CH 1/10W 150	1		R3264	ERJ6GEYJ474	M.RESISTOR CH 1/10W 470K	1	
R3119-28	ERJ6GEYJ152	M.RESISTOR CH 1/10W 1.5K	10		R3265	ERJ6GEYJ681	M.RESISTOR CH 1/10W 680	1	
R3129	ERJ6GEYJ153	M.RESISTOR CH 1/10W 15K	1		R3266	ERJ6GEYJ561	M.RESISTOR CH 1/10W 560	1	
R3130	ERJ6GEYJ272	M.RESISTOR CH 1/10W 2.7K	1		R3267	ERJ6GEYJ331	M.RESISTOR CH 1/10W 330	1	
R3131, 32	ERJ6GEYJ222	M.RESISTOR CH 1/10W 2.2K	2		R3268	ERJ6GEYJ153	M.RESISTOR CH 1/10W 15K	1	
R3133, 34	ERJ6GEYJ102	M.RESISTOR CH 1/10W 1K	2		R3269	ERJ6GEYJ103	M.RESISTOR CH 1/10W 10K	1	
R3135	ERJ6GEYJ182	M.RESISTOR CH 1/10W 1.8K	1		R3270	ERJ6GEYJ102	M.RESISTOR CH 1/10W 1K	1	
R3136-39	ERJ6GEYJ223	M.RESISTOR CH 1/10W 22K	4		R3271	ERJ6GEYJ682	M.RESISTOR CH 1/10W 6.8K	1	
R3140	ERJ6GEYJ330	M.RESISTOR CH 1/10W 33	1		R3272	ERJ6GEYJ683	M.RESISTOR CH 1/10W 68K	1	
R3141, 42	ERJ6GEYJ333	M.RESISTOR CH 1/10W 33K	2		R3273	ERJ6GEYJ684	M.RESISTOR CH 1/10W 680K	1	
R3143	ERJ6GEYJ222	M.RESISTOR CH 1/10W 2.2K	1		R3274	ERJ6GEYJ753	M.RESISTOR CH 1/10W 75K	1	
R3144	ERJ6GEYJ393	M.RESISTOR CH 1/10W 39K	1		R3275	ERJ6GEYOR00	M.RESISTOR CH 1/10W 0	1	
R3145	ERJ6GEYJ470	M.RESISTOR CH 1/10W 47	1		R3276	VRE0034E473	M.RESISTOR CH 1/10W 47K	1	
R3146	ERJ6GEYJ272	M.RESISTOR CH 1/10W 2.7K	1		R3277	ERJ6GEYJ153	M.RESISTOR CH 1/10W 15K	1	
R3147	ERJ6GEYJ471	M.RESISTOR CH 1/10W 470	1		R3278	ERJ6GEYJ103	M.RESISTOR CH 1/10W 10K	1	
R3149, 50	ERJ6GEYJ472	M.RESISTOR CH 1/10W 4.7K	2		R3279, 80	ERJ6GEYJ561	M.RESISTOR CH 1/10W 560	2	
R3151	ERJ6GEYJ471	M.RESISTOR CH 1/10W 470	1		R3281, 82	ERJ6GEYJ102	M.RESISTOR CH 1/10W 1K	2	
R3152	ERJ6GEYJ391	M.RESISTOR CH 1/10W 390	1		R3283	ERJ6GEYJ152	M.RESISTOR CH 1/10W 1.5K	1	
R3153	ERJ6GEYJ681	M.RESISTOR CH 1/10W 680	1		R3284	ERJ6GEYJ102	M.RESISTOR CH 1/10W 1K	1	
R3154	ERJ6GEYOR00	M.RESISTOR CH 1/10W 0	1		R3285	ERJ6GEYJ821	M.RESISTOR CH 1/10W 820	1	
R3156	ERJ6GEYJ152	M.RESISTOR CH 1/10W 1.5K	1		R3286	ERJ6GEYJ105	M.RESISTOR CH 1/10W 1M	1	
R3157, 58	ERJ6GEYJ272	M.RESISTOR CH 1/10W 2.7K	2		R3287	ERJ6GEYJ223	M.RESISTOR CH 1/10W 22K	1	
R3159	ERJ6GEYJ102	M.RESISTOR CH 1/10W 1K	1		R3288	ERJ6GEYJ222	M.RESISTOR CH 1/10W 2.2K	1	
R3200	ERJ6GEYJ271	M.RESISTOR CH 1/10W 270	1		R3289	ERJ6GEYJ103	M.RESISTOR CH 1/10W 10K	1	
R3201	ERJ6GEYOR00	M.RESISTOR CH 1/10W 0	1		R3290	ERJ6GEYJ105	M.RESISTOR CH 1/10W 1M	1	
R3203-05	ERJ6GEYJ102	M.RESISTOR CH 1/10W 1K	3		R3291	ERJ6GEYJ561	M.RESISTOR CH 1/10W 560	1	
R3206	ERJ6GEYJ153	M.RESISTOR CH 1/10W 15K	1		R3292	ERJ6GEYJ151	M.RESISTOR CH 1/10W 150	1	
R3207	ERJ6GEYJ223	M.RESISTOR CH 1/10W 22K	1		R3293	ERJ6GEYJ222	M.RESISTOR CH 1/10W 2.2K	1	
R3208	ERJ6GEYJ391	M.RESISTOR CH 1/10W 390	1		R3294	ERJ6GEYJ153	M.RESISTOR CH 1/10W 15K	1	
R3209	ERJ6GEYJ333	M.RESISTOR CH 1/10W 33K	1		R3295	ERJ6GEYJ152	M.RESISTOR CH 1/10W 1.5K	1	
R3210	ERJ6GEYJ222	M.RESISTOR CH 1/10W 2.2K	1		R3296	ERJ6GEYJ103	M.RESISTOR CH 1/10W 10K	1	
R3211	ERJ6GEYOR00	M.RESISTOR CH 1/10W 0	1		R3297	ERJ6GEYJ472	M.RESISTOR CH 1/10W 4.7K	1	
R3212	ERJ6GEYJ153	M.RESISTOR CH 1/10W 15K	1		R3298, 99	ERJ6GEYJ562	M.RESISTOR CH 1/10W 5.6K	2	
R3213	ERJ6GEYJ561	M.RESISTOR CH 1/10W 560	1		R3300	ECUM1C1052FN	C. CAPACITOR 16V 1U	1	
R3214-16	ERJ6GEYJ102	M.RESISTOR CH 1/10W 1K	3		R3317	ERJ6GEYJ103	M.RESISTOR CH 1/10W 10K	1	
R3217	ERJ6GEYJ271	M.RESISTOR CH 1/10W 270	1		R3403	ERJ6GEYOR00	M.RESISTOR CH 1/10W 0	1	
R3218	ERJ6GEYJ103	M.RESISTOR CH 1/10W 10K	1		R3405-08	ERJ6GEYJ473	M.RESISTOR CH 1/10W 47K	4	
R3219	ERJ6GEYJ102	M.RESISTOR CH 1/10W 1K	1		R3409	ERJ6GEYOR00	M.RESISTOR CH 1/10W 0	1	
R3220	ERJ6GEYJ820	M.RESISTOR CH 1/10W 82	1		R3411, 12	ERJ6GEYOR00	M.RESISTOR CH 1/10W 0	2	
R3221-23	ERJ6GEYJ103	M.RESISTOR CH 1/10W 10K	3		R3413-16	ERJ6GEYJ473	M.RESISTOR CH 1/10W 47K	4	
R3224	ERJ6GEYJ393	M.RESISTOR CH 1/10W 39K	1		R3418	ERJ6GEYOR00	M.RESISTOR CH 1/10W 0	1	
R3225	ERJ6GEYJ113	M.RESISTOR CH 1/10W 11K	1		R3419	ERJ6GEYJ100	M.RESISTOR CH 1/10W 10	1	
R3226	ERJ6GEYJ330	M.RESISTOR CH 1/10W 33	1		R3420, 21	ERJ6GEYJ101	M.RESISTOR CH 1/10W 100	2	
R3227	ERJ6GEYJ104	M.RESISTOR CH 1/10W 100K	1		R3422	ERJ6GEYJ102	M.RESISTOR CH 1/10W 1K	1	
R3228	ERJ6GEYJ103	M.RESISTOR CH 1/10W 10K	1		R3423	ERJ6GEYJ564	M.RESISTOR CH 1/10W 560K	1	
R3229	ERJ6GEYJ333	M.RESISTOR CH 1/10W 33K	1		R3424, 25	ERJ6GEYJ103	M.RESISTOR CH 1/10W 10K	2	
R3230	ERJ6GEYJ103	M.RESISTOR CH 1/10W 10K	1		R3426	ERJ6GEYJ105	M.RESISTOR CH 1/10W 1M	1	
R3231	ERJ6GEYJ182	M.RESISTOR CH 1/10W 1.8K	1		R3427	ERJ6GEYJ302	M.RESISTOR CH 1/10W 3K	1	
R3232	ERJ6GEYJ223	M.RESISTOR CH 1/10W 22K	1		R3428	ERJ6GEYJ473	M.RESISTOR CH 1/10W 47K	1	
R3233	ERJ6GEYJ472	M.RESISTOR CH 1/10W 4.7K	1		R3430-32	ERJ6GEYJ472	M.RESISTOR CH 1/10W 4.7K	3	
R3234	ERJ6GEYJ103	M.RESISTOR CH 1/10W 10K	1		R3440-44	ERJ6GEYJ472	M.RESISTOR CH 1/10W 4.7K	5	
R3235	ERJ6GEYJ471	M.RESISTOR CH 1/10W 470	1		R3447-54	ERJ6GEYJ680	M.RESISTOR CH 1/10W 68	8	
R3236, 37	ERJ6GEYJ153	M.RESISTOR CH 1/10W 15K	2		R3456-60	ERJ6GEYJ680	M.RESISTOR CH 1/10W 68	5	
R3238	ERJ6GEYJ473	M.RESISTOR CH 1/10W 47K	1		R3461	ERJ6GEYJ333	M.RESISTOR CH 1/10W 33K	1	
R3239	ERJ6GEYJ151	M.RESISTOR CH 1/10W 150	1		R3462	ERJ6GEYJ153	M.RESISTOR CH 1/10W 15K	1	
R3240	ERJ6GEYJ103	M.RESISTOR CH 1/10W 10K	1		R3463-65	ERJ6GEYJ680	M.RESISTOR CH 1/10W 68	3	
R3241	ERJ6GEYJ562	M.RESISTOR CH 1/10W 5.6K	1		R3466	ERJ6GEYJ682	M.RESISTOR CH 1/10W 6.8K	1	
R3242	ERJ6GEYJ103	M.RESISTOR CH 1/10W 10K	1		R3468	ERJ6GEYOR00	M.RESISTOR CH 1/10W 0	1	
R3243	ERJ6GEYJ471	M.RESISTOR CH 1/10W 470	1		R3469	ERJ6GEYJ472	M.RESISTOR CH 1/10W 4.7K	1	
R3244	ERJ6GEYJ561	M.RESISTOR CH 1/10W 560	1		R3471	ERJ6GEYJ152	M.RESISTOR CH 1/10W 1.5K	1	
R3245	ERJ6GEYJ153	M.RESISTOR CH 1/10W 15K	1		R3472	ERJ6GEYJ102	M.RESISTOR CH 1/10W 1K	1	
R3246	ERJ6GEYJ331	M.RESISTOR CH 1/10W 330	1		R3473, 74	ERJ6GEYJ561	M.RESISTOR CH 1/10W 560	2	
R3247-50	ERJ6GEYJ332	M.RESISTOR CH 1/10W 3.3K	4		R3475	ERJ6GEYJ102	M.RESISTOR CH 1/10W 1K	1	
R3251	ERJ6GEYJ182	M.RESISTOR CH 1/10W 1.8K	1		R3477	ERJ6GEYJ102	M.RESISTOR CH 1/10W 1K	1	
R3252	ERJ6GEYJ102	M.RESISTOR CH 1/10W 1K	1		R3478	ERJ6GEYJ222	M.RESISTOR CH 1/10W 2.2K	1	
R3253	ERJ6GEYJ332	M.RESISTOR CH 1/10W 3.3K	1		R3480	ERJ6GEYJ470	M.RESISTOR CH 1/10W 47	1	
R3254	ERJ6GEYJ102	M.RESISTOR CH 1/10W 1K	1		R3481, 82	ERJ6GEYOR00	M.RESISTOR CH 1/10W 0	2	
R3255	ERJ6GEYJ393	M.RESISTOR CH 1/10W 39K	1		R3501	ERJ6GEYOR00	M.RESISTOR CH 1/10W 0	1	
R3256	ERJ6GEYJ332	M.RESISTOR CH 1/10W 3.3K	1		R3504	ERJ6GEYJ153	M.RESISTOR CH 1/10W 15K	1	
R3257, 58	ERJ6GEYJ471	M.RESISTOR CH 1/10W 470	2		R3505	ERJ6GEYJ223	M.RESISTOR CH 1/10W 22K	1	
R3259	ERJ6GEYJ223	M.RESISTOR CH 1/10W 22K	1		R3506	ERJ6GEYJ682	M.RESISTOR CH 1/10W 6.8K	1	

Ref.No.	Part No.	Part Name & Description	Pcs	Remarks	Ref.No.	Part No.	Part Name & Description	Pcs	Remarks
R3507	ERJ6GEYJ332	M.RESISTOR CH 1/10W 3.3K	1						
R3508	ERJ6GEYJ102	M.RESISTOR CH 1/10W 1K	1			VEP03B44D	P.C. BOARD W/COMPONENT VIDEO YC		AG-8600E
R3509	ERJ6GEYJ103	M.RESISTOR CH 1/10W 10K	1						
R3510	ERJ6GEYJ183	M.RESISTOR CH 1/10W 18K	1						
R3511	ERJ6GEYJ273	M.RESISTOR CH 1/10W 27K	1						
R3601	ERJ6GEYJ332	M.RESISTOR CH 1/10W 3.3K	1						
R3602	ERJ6GEYJ222	M.RESISTOR CH 1/10W 2.2K	1		C3001	ECUM1H330JCN	C.CAPACITOR CH 50V 33P	1	
R3603	ERJ6GEYJ332	M.RESISTOR CH 1/10W 3.3K	1		C3003-06	ECUM1H103ZFN	C.CAPACITOR 50V 0.01U	4	
R3604	ERJ6GEYJ222	M.RESISTOR CH 1/10W 2.2K	1		C3008,09	ECUM1H103ZFN	C.CAPACITOR 50V 0.01U	2	
R3605,06	ERJ6GEYJ330	M.RESISTOR CH 1/10W 33	2		C3010	ECUM1H220JCN	C.CAPACITOR CH 50V 22P	1	
R3607,08	ERJ6GEYJ561	M.RESISTOR CH 1/10W 560	2		C3012	ECUM1H103ZFN	C.CAPACITOR 50V 0.01U	1	
R3609	ERJ6GEYJ122	M.RESISTOR CH 1/10W 1.2K	1		C3013	ECUM1H330JCN	C.CAPACITOR CH 50V 33P	1	
R3610	ERJ6GEYJ102	M.RESISTOR CH 1/10W 1K	1		C3014	ECUM1H050CCN	C.CAPACITOR CH 50V 5P	1	
R3611	ERJ6GEYJ821	M.RESISTOR CH 1/10W 820	1		C3020-22	ECUM1H103ZFN	C.CAPACITOR 50V 0.01U	3	
R3614,15	ERJ6GEYJ223	M.RESISTOR CH 1/10W 22K	2		C3023	ECUM1E104ZFN	C.CAPACITOR CH 25V 0.1U	1	
					C3024	ECUM1H103ZFN	C.CAPACITOR 50V 0.01U	1	
					C3025	ECUM1H223KBN	C.CAPACITOR 50V 0.022U	1	
					C3026	ECUM1C154KBN	C.CAPACITOR 16V 0.15U	1	
SW3401,02	VSR0045	SWITCH	2	<R>	C3027	ECUM1E473KBN	C.CAPACITOR CH 25V 0.047U	1	
					C3028,29	ECUM1H473ZFN	C.CAPACITOR CH 50V 0.047U	2	
					C3030	ECEV1E4R7Q	E.CAPACITOR 25V 4.7U	1	
					C3032	ECUM1H221GCN	C.CAPACITOR CH 50V 220P	1	
VR3001,02	EVM7JGA00B24	V.RESISTOR	2		C3033-35	ECUM1H271GCN	C.CAPACITOR CH 50V 270P	3	
VR3003	EVN32CA00B24	VARIABLE 20K	1		C3038	ECQP1H561JZ	P.CAPACITOR 50V 560P	1	
VR3004-08	EVN32CA00B54	V.RESISTOR 50K	5		C3039	ECUM1H820GCN	C.CAPACITOR CH 50V 82P	1	
VR3101,02	EVM7DGA00B13	V.RESISTOR 1K	2		C3040	ECQP1H911GZ	P.CAPACITOR 50V 910P	1	
VR3201,02	EVM7DGA00B13	V.RESISTOR 1K	2		C3042	ECUM1H080DCN	C.CAPACITOR CH 50V 80P	1	
VR3401	EVN32CA00B24	VARIABLE 20K	1		C3043	ECUM1H820JCN	C.CAPACITOR CH 50V 82P	1	
					C3044	ECUM1H560JCN	C.CAPACITOR CH 50V 56P	1	
					C3045	ECUM1H103ZFN	C.CAPACITOR 50V 0.01U	1	
					C3047	ECUM1H103ZFN	C.CAPACITOR 50V 0.01U	1	
X3401	VSX0540	CRYSTAL OSCILLATOR	1	<R>	C3048	ECUM1H470JCN	C.CAPACITOR CH 50V 47P	1	
					C3049	ECEV1CV100Q	E.CAPACITOR 16V 10U	1	
					C3051-55	ECEV1CV100Q	E.CAPACITOR 16V 10U	5	
					C3056-61	ECEV1EV4R7Q	E.CAPACITOR 25V 4.7U	6	
		MISCELLANEOUS			C3062	ECEVOG470Q	E.CAPACITOR 4V 47U	1	
E111	VSC2051	SHIELD CASE (MIDDLE)	1		C3063	ECEV1CV100Q	E.CAPACITOR 16V 10U	1	
E112	VSC2052	SHIELD CASE (LOWER)	1		C3064	ECEVOJ220Q	E.CAPACITOR 6.3V 22U	1	
					C3065	ECEVOJ470Q	E.CAPACITOR 6.3V 47U	1	
					C3066,67	ECEV1CV220Q	E.CAPACITOR 16V 22U	2	
					C3068,69	ECEVOJ470Q	E.CAPACITOR 6.3V 47U	2	
					C3070	ECEV1HV010Q	E.CAPACITOR 50V 1U	1	
					C3072-76	ECUM1H103ZFN	C.CAPACITOR 50V 0.01U	5	
					C3078	ECEVOJ470Q	E.CAPACITOR 6.3V 47U	1	
					C3079	ECEV1CV470Q	E.CAPACITOR CH 16V 47U	1	
					C3080	ECEVOJ470Q	E.CAPACITOR 6.3V 47U	1	
					C3083	ECEVOJ470Q	E.CAPACITOR 6.3V 47U	1	
					C3084,85	ECUM1H103ZFN	C.CAPACITOR 50V 0.01U	2	
					C3086,87	ECUM1C105ZFN	C.CAPACITOR 16V 1U	2	
					C3088	ECUM1E104ZFN	C.CAPACITOR CH 25V 0.1U	1	
					C3089	ECEV1E4R7Q	E.CAPACITOR 25V 4.7U	1	
					C3091,92	ECUM1E104ZFN	C.CAPACITOR CH 25V 0.1U	2	
					C3093	ECUM1H150JCN	C.CAPACITOR CH 50V 15P	1	
					C3094,95	ECUM1H101JCN	C.CAPACITOR CH 50V 100P	2	
					C3096	ECUM1H103ZFN	C.CAPACITOR 50V 0.01U	1	
					C3097	ECUM1H150JCN	C.CAPACITOR CH 50V 15P	1	
					C3100	ECUM1E104ZFN	C.CAPACITOR CH 25V 0.1U	1	
					C3101	ECUM1C105ZFN	C.CAPACITOR 16V 1U	1	
					C3102	ECUM1E104ZFN	C.CAPACITOR CH 25V 0.1U	1	
					C3112	ECUM1C154KBN	C.CAPACITOR 16V 0.15U	1	
					C3202	ECUM1H271JCN	C.CAPACITOR CH 50V 270P	1	
					C3203-05	ECUM1H103ZFN	C.CAPACITOR 50V 0.01U	3	
					C3206	ECUM1C105ZFN	C.CAPACITOR 16V 1U	1	
					C3207	ECUM1H101JCN	C.CAPACITOR CH 50V 100P	1	
					C3208	ECUM1E104KBN	C.CAPACITOR CH 25V 0.1U	1	
					C3209	ECUM1H102JCN	C.CAPACITOR CH 50V 1000P	1	
					C3210	ECUM1H050CCN	C.CAPACITOR CH 50V 5P	1	
					C3211	ECUM1H120JUN	C.CAPACITOR 50V 12P	1	
					C3212	ECUM1H103ZFN	C.CAPACITOR 50V 0.01U	1	
					C3213	ECEVOJ470Q	E.CAPACITOR 6.3V 47U	1	
					C3214-16	ECUM1H103ZFN	C.CAPACITOR 50V 0.01U	3	
					C3217	ECEV1HV3R3Q	E.CAPACITOR 50V 3.3U	1	
					C3218,19	ECUM1H103KBN	C.CAPACITOR CH 50V 0.01U	2	
					C3220	ECEV1EV4R7Q	E.CAPACITOR 25V 4.7U	1	
					C3221	ECEV1HV2R2Q	E.CAPACITOR 50V 2.2U	1	

Ref.No.	Part No.	Part Name & Description	Pcs	Remarks
C3222	ECUM1H103KBN	C.CAPACITOR CH 50V 0.01U	1	
C3223	ECUM1H223KBN	C.CAPACITOR 50V 0.022U	1	
C3224	ECUM1H471JCN	C.CAPACITOR CH 50V 470P	1	
C3225	ECEV1HV010Q	E.CAPACITOR 50V 1U	1	
C3226	ECUM1E104ZFN	C.CAPACITOR CH 25V 0.1U	1	
C3227	ECUM1H103ZFN	C.CAPACITOR 50V 0.01U	1	
C3228, 29	ECQV1H154JZ	P.CAPACITOR 50V 0.15U	2	
C3230	ECUM1H103ZFN	C.CAPACITOR 50V 0.01U	1	
C3231	ECUM1H393KBN	C.CAPACITOR 50V 0.033U	1	
C3233	ECUM1H270JCN	C.CAPACITOR CH 50V 27P	1	
C3234	ECUM1H090DCN	C.CAPACITOR CH 50V 90P	1	
C3235	ECUM1E104ZFN	C.CAPACITOR CH 25V 0.1U	1	
C3236	ECUM1H151JCN	C.CAPACITOR CH 50V 150P	1	
C3237	ECUM1E104ZFN	C.CAPACITOR CH 25V 0.1U	1	
C3239, 40	ECUM1E104ZFN	C.CAPACITOR CH 25V 0.1U	2	
C3241-44	ECUM1H103ZFN	C.CAPACITOR 50V 0.01U	4	
C3245	ECEVOJV470Q	E.CAPACITOR 6.3V 47U	1	
C3246	ECUM1H103ZFN	C.CAPACITOR CH 50V 0.01U	1	
C3248	ECUM1H103ZFN	C.CAPACITOR 50V 0.01U	1	
C3249	ECEVOJV470Q	E.CAPACITOR 6.3V 47U	1	
C3250-52	ECUM1C105ZFN	C.CAPACITOR 16V 1U	3	
C3253	ECEVOJV470Q	E.CAPACITOR 6.3V 47U	1	
C3254	ECUM1E104KBN	C.CAPACITOR CH 25V 0.1U	1	
C3255	ECUM1H103ZFN	C.CAPACITOR 50V 0.01U	1	
C3256	ECUM1C224KBN	C.CAPACITOR CH 16V 0.22U	1	
C3257, 58	ECUM1H103ZFN	C.CAPACITOR 50V 0.01U	2	
C3259	ECEVOJV470Q	E.CAPACITOR 6.3V 47U	1	
C3261	ECUM1H103ZFN	C.CAPACITOR 50V 0.01U	1	
C3263-65	ECUM1H103ZFN	C.CAPACITOR 50V 0.01U	3	
C3266	ECEVOJV470Q	E.CAPACITOR 6.3V 47U	1	
C3267	ECUM1H103ZFN	C.CAPACITOR 50V 0.01U	1	
C3268	ECUM1E104ZFN	C.CAPACITOR CH 25V 0.1U	1	
C3269-71	ECUM1H103ZFN	C.CAPACITOR 50V 0.01U	3	
C3273	ECUM1H103ZFN	C.CAPACITOR 50V 0.01U	1	
C3274	ECUM1H102JCN	C.CAPACITOR CH 50V 1000P	1	
C3275	ECEV1HV2R2Q	E.CAPACITOR 50V 2.2U	1	
C3276	ECUM1H103ZFN	C.CAPACITOR 50V 0.01U	1	
C3277	ECUM1H271JCN	C.CAPACITOR CH 50V 270P	1	
C3278	ECUM1C105ZFN	C.CAPACITOR 16V 1U	1	
C3279	ECUM1H151JCN	C.CAPACITOR CH 50V 150P	1	
C3281	ECEVOJV470Q	E.CAPACITOR 6.3V 47U	1	
C3282	ECUM1H103ZFN	C.CAPACITOR 50V 0.01U	1	
C3401	ECEVOJV470Q	E.CAPACITOR 6.3V 47U	1	
C3402-06	ECUM1H103ZFN	C.CAPACITOR 50V 0.01U	5	
C3407	ECUM1H090DCN	C.CAPACITOR CH 50V 90P	1	
C3408	ECUM1H471JCN	C.CAPACITOR CH 50V 470P	1	
C3409	ECUM1H103ZFN	C.CAPACITOR 50V 0.01U	1	
C3410	ECUM1H101JCN	C.CAPACITOR CH 50V 100P	1	
C3411	ECEV1HV2R2Q	E.CAPACITOR 50V 2.2U	1	
C3412	ECUM1E224ZFN	C.CAPACITOR CH 25V 0.22U	1	
C3413-17	ECUM1H103ZFN	C.CAPACITOR 50V 0.01U	5	
C3418	ECUM1H223KBN	C.CAPACITOR 50V 0.022U	1	
C3419	ECUM1H180JCN	C.CAPACITOR CH 50V 18P	1	
C3420	ECUM1H330JCN	C.CAPACITOR CH 50V 33P	1	
C3421	ECUM1H103ZFN	C.CAPACITOR 50V 0.01U	1	
C3422	ECUM1H221JCN	C.CAPACITOR CH 50V 220P	1	
C3423	ECUM1H330JCN	C.CAPACITOR CH 50V 33P	1	
C3424	ECUM1H103ZFN	C.CAPACITOR 50V 0.01U	1	
C3425	ECEV1CV100Q	E.CAPACITOR 16V 10U	1	
C3426, 27	ECUM1H103ZFN	C.CAPACITOR 50V 0.01U	2	
C3428	ECEV1EV4R7Q	E.CAPACITOR 25V 4.7U	1	
C3429	ECUM1H103ZFN	C.CAPACITOR 50V 0.01U	1	
C3430	ECEVOJV470Q	E.CAPACITOR 6.3V 47U	1	
C3431, 32	ECUM1H103ZFN	C.CAPACITOR 50V 0.01U	2	
C3433	ECUM1E224ZFN	C.CAPACITOR CH 25V 0.22U	1	
C3434	ECEV1EV4R7Q	E.CAPACITOR 25V 4.7U	1	
C3435, 36	ECUM1H103ZFN	C.CAPACITOR 50V 0.01U	2	
C3437-39	ECEV1CV100Q	E.CAPACITOR 16V 10U	3	
C3440	ECUM1H103ZFN	C.CAPACITOR 50V 0.01U	1	
C3441	ECUM1H101JCN	C.CAPACITOR CH 50V 100P	1	
C3442	ECUM1H270JCN	C.CAPACITOR CH 50V 27P	1	
C3443	ECUM1H560JCN	C.CAPACITOR CH 50V 56P	1	
C3444	ECEV1EV4R7Q	E.CAPACITOR 25V 4.7U	1	
C3445-47	ECUM1H103ZFN	C.CAPACITOR 50V 0.01U	3	
C3448	ECEVOJV470Q	E.CAPACITOR 6.3V 47U	1	

Ref.No.	Part No.	Part Name & Description	Pcs	Remarks
C3449, 50	ECUM1H102JCN	C.CAPACITOR CH 50V 1000P	2	
C3451	ECUM1C105ZFN	C.CAPACITOR 16V 1U	1	
C3452	ECEVOJV470Q	E.CAPACITOR 6.3V 47U	1	
C3453-55	ECUM1H103ZFN	C.CAPACITOR 50V 0.01U	3	
C3456	ECUM1H680JCN	C.CAPACITOR CH 50V 68P	1	
C3457	ECUM1H103ZFN	C.CAPACITOR 50V 0.01U	1	
C3459	ECUM1H103ZFN	C.CAPACITOR 50V 0.01U	1	
C3460	ECUM1H151JCN	C.CAPACITOR CH 50V 150P	1	
C3461	ECUM1H103ZFN	C.CAPACITOR 50V 0.01U	1	
C3462	ECUM1H151JCN	C.CAPACITOR CH 50V 150P	1	
C3463	ECUM1H103ZFN	C.CAPACITOR 50V 0.01U	1	
C3464	ECUM1H820JCN	C.CAPACITOR CH 50V 82P	1	
C3465	ECUM1H103ZFN	C.CAPACITOR 50V 0.01U	1	
C3466, 67	ECUM1E473KBN	C.CAPACITOR CH 25V 0.047U	2	
C3468	ECQV1H105JZ	P.CAPACITOR 50V 1U	1	
C3469	ECUM1H151JCN	C.CAPACITOR CH 50V 150P	1	
C3470	ECUM1H103ZFN	C.CAPACITOR 50V 0.01U	1	
C3471	ECUM1H100DCN	C.CAPACITOR CH 50V 10P	1	
C3472	ECUM1E104ZFN	C.CAPACITOR CH 25V 0.1U	1	
C3473	ECUM1H103ZFN	C.CAPACITOR 50V 0.01U	1	
C3474	ECEVOJV470Q	E.CAPACITOR 6.3V 47U	1	
C3475, 76	ECUM1E104ZFN	C.CAPACITOR CH 25V 0.1U	2	
C3477	ECUM1H100DCN	C.CAPACITOR CH 50V 10P	1	
C3478	ECUM1H103ZFN	C.CAPACITOR 50V 0.01U	1	
C3479	ECEVOJV470Q	E.CAPACITOR 6.3V 47U	1	
C3480-83	ECUM1H103ZFN	C.CAPACITOR 50V 0.01U	4	
C3484, 85	ECUM1E473KBN	C.CAPACITOR CH 25V 0.047U	2	
C3486	ECQV1H105JZ	P.CAPACITOR 50V 1U	1	
C3487	ECEV1CV100Q	E.CAPACITOR 16V 10U	1	
C3488	ECUM1H103ZFN	C.CAPACITOR 50V 0.01U	1	
C3490-92	ECUM1H103ZFN	C.CAPACITOR 50V 0.01U	3	
C3493	ECUM1E104ZFN	C.CAPACITOR CH 25V 0.1U	1	
C3497-99	ECUM1H103ZFN	C.CAPACITOR 50V 0.01U	3	
C3500	ECUM1H151JCN	C.CAPACITOR CH 50V 150P	1	
C3501	ECEVOJV470Q	E.CAPACITOR 6.3V 47U	1	
C3502	ECUM1H103ZFN	C.CAPACITOR 50V 0.01U	1	
C3503	ECEVOJV470Q	E.CAPACITOR 6.3V 47U	1	
C3504, 05	ECUM1H103ZFN	C.CAPACITOR 50V 0.01U	2	
C3507-09	ECUM1H103ZFN	C.CAPACITOR 50V 0.01U	3	
C3510	ECUM1H101JCN	C.CAPACITOR CH 50V 100P	1	
C3511, 12	ECUM1H103ZFN	C.CAPACITOR 50V 0.01U	2	
C3513	ECEVOJV470Q	E.CAPACITOR 6.3V 47U	1	
C3514	ECUM1H103ZFN	C.CAPACITOR 50V 0.01U	1	
C3515	ECEV1CV470Q	E.CAPACITOR CH 16V 47U	1	
C3516	ECUM1C105ZFN	C.CAPACITOR 16V 1U	1	
C3517	ECUM1H103ZFN	C.CAPACITOR 50V 0.01U	1	
C3520-22	ECUM1H102JCN	C.CAPACITOR CH 50V 1000P	3	
C3523	ECUM1E104KBN	C.CAPACITOR CH 25V 0.1U	1	
C3524	ECUM1H152KBN	C.CAPACITOR CH 50V 1500P	1	
C3525	ECUM1H103ZFN	C.CAPACITOR 50V 0.01U	1	
C3527	ECUM1E104ZFN	C.CAPACITOR CH 25V 0.1U	1	
C3528	ECUM1H470JCN	C.CAPACITOR CH 50V 47P	1	
C3529, 30	ECUM1H181JCN	C.CAPACITOR CH 50V 180P	2	
C3531	ECUM1H103ZFN	C.CAPACITOR 50V 0.01U	1	
C3601	ECUM1H103ZFN	C.CAPACITOR 50V 0.01U	1	
C3602	ECUM1E104ZFN	C.CAPACITOR CH 25V 0.1U	1	
C3603	ECUM1H103ZFN	C.CAPACITOR 50V 0.01U	1	
C3604	ECUM1E104ZFN	C.CAPACITOR CH 25V 0.1U	1	
D3001	MA3091-M	DIODE	1	<R>
D3002, 03	MA151K	DIODE	2	<R>
D3005-07	MA151K	DIODE	3	<R>
D3202	MA151WA	DIODE	1	<R>
D3203-05	MA151K	DIODE	3	<R>
D3206	MA151WA	DIODE	1	<R>
D3208	MA151K	DIODE	1	<R>
D3402	MA3091-M	DIODE	1	<R>
D3403	MA28W-B	DIODE	1	<R>
D3501	MA151K	DIODE	1	<R>
D3502	MA151WA	DIODE	1	<R>
D3503	MA151K	DIODE	1	<R>

Ref.No.	Part No.	Part Name & Description	Pcs	Remarks
DL3201	VLD0272	DELAY	1	
FL3003	VLF1129	FILTER	1	
FL3005	VLF1127	FILTER	1	
FL3006	VLF1128	FILTER	1	
FL3201	VLF1134	FILTER	1	
FL3202	VLF1133	FILTER	1	
FL3203	VLD0147	DELAY LINE	1	
FL3204	VLF1130	FILTER	1	
FL3205	VLF1131	FILTER	1	
FL3401	VLF1131	FILTER	1	
FL3402	VLD0089	DELAY LINE	1	
FL3403_04	VLF1129	FILTER	2	
FL3405_06	VLF1133	FILTER	2	
FL3501	VLF1132	FILTER	1	
IC3001	TC7504F	IC	1	<R>
IC3002	AN3293S	IC	1	<R>
IC3003	MSM6871RS	IC	1	<R>
IC3004	AN3255FAP	IC	1	<R>
IC3006-08	NJM2233BMA	IC	3	<R>
IC3009	TC4W53F	IC	1	<R>
IC3011	AN78N05	IC	1	<R>
IC3012	NJM78L05UA	IC	1	<R>
IC3201	M52056FP	IC	1	<R>
IC3205-07	TC7504F	IC	3	<R>
IC3208_09	TC7566F	IC	2	<R>
IC3210	TC7504F	IC	1	<R>
IC3211	MC74HC4053F	IC	1	<R>
IC3212	TK16031M	IC	1	<R>
IC3213	MC14577CP	IC	1	<R>
IC3214_15	NJM78L05UA	IC	2	<R>
IC3401	NJM2233BMA	IC	1	<R>
IC3402	AN3495S	IC	1	<R>
IC3403_04	MSM6871RS	IC	2	<R>
IC3406	M52093SP	IC	1	<R>
IC3407	SN74LS221NS	IC	1	<R>
IC3408	MC14577CP	IC	1	<R>
IC3409	NJM2234MA	IC	1	<R>
IC3410	AN78N05	IC	1	<R>
IC3411	VCR0373	IC	1	<R>
IC3412	NJM2233BMA	IC	1	<R>
IC3501	AN614	IC	1	<R>
IC3502	MC74HC4053F	IC	1	<R>
IC3503	TA75W58FU	IC	1	<R>
IC3504	TA75S393F	IC	1	<R>
IC3506	MC14538BF	IC	1	<R>
IC3507	MC14013BF	IC	1	<R>
IC3508	MC14040BF	IC	1	<R>
IC3509	MC14538BF	IC	1	<R>
IC3510	TC4530F	IC	1	<R>
IC3511	MC14013BF	IC	1	<R>
IC3512	TC4530F	IC	1	<R>
L3001	VLQ0163J390	COIL	39UH	1
L3002	VLQ0319K101	COIL	100UH	1
L3004	VLQ0319K101	COIL	100UH	1
L3005	VLP0083	COIL		1
L3007_08	VLQ0319K101	COIL	100UH	2
L3011	VLQ0163J151	COIL	150UH	1
L3201	VLQ0163J470	COIL	47UH	1
L3202_03	VLQ0163J820	COIL	82UH	2
L3204	VLQ0163J330	COIL	33UH	1
L3206	VLQ0319K101	COIL	100UH	1
L3207	VLQ0163J330	COIL	33UH	1
L3208	VLQ0163J150	COIL	15UH	1
L3209-11	VLQ0319K101	COIL	100UH	3
L3401	VLQ0319K101	COIL	100UH	1

Ref.No.	Part No.	Part Name & Description	Pcs	Remarks
L3402	VLP0083	COIL		1
L3403	VLQ0163J680	COIL	68UH	1
L3404	VLQ0163J151	COIL	150UH	1
L3405-07	VLQ0319K101	COIL	100UH	3
L3409_10	VLQ0163J150	COIL	15UH	2
L3411-13	VLQ0319K101	COIL	100UH	3
L3416	VLQ0163J688	COIL	6.8UH	1
L3501-03	VLQ0319K101	COIL	100UH	3
L3504	VLQ0163J390	COIL	39UH	1
P3632	VJP3176B064	CONNECTOR (MALE)	64P	1
Q3002	MSD601-R	TRANSISTOR		1 <R>
Q3003-05	MSC2295-B	TRANSISTOR		3 <R>
Q3006	MSD601-R	TRANSISTOR		1 <R>
Q3007	MSB709-R	TRANSISTOR		1 <R>
Q3008_09	XN4501	TRANSISTOR-RESISTOR		2 <R>
Q3010_11	2SA1022-C	TRANSISTOR		2 <R>
Q3012	MSD601-R	TRANSISTOR		1 <R>
Q3013	MSB709-R	TRANSISTOR		1 <R>
Q3014	MSD601-R	TRANSISTOR		1 <R>
Q3015	MSB709-R	TRANSISTOR		1 <R>
Q3016	MSD601-R	TRANSISTOR		1 <R>
Q3201_02	MSB709-R	TRANSISTOR		2 <R>
Q3203-07	MSD601-R	TRANSISTOR		5 <R>
Q3208_09	MSC2295-B	TRANSISTOR		2 <R>
Q3210	MSB709-R	TRANSISTOR		1 <R>
Q3211	XN1504	TRANSISTOR		1 <R>
Q3212	MSB709-R	TRANSISTOR		1 <R>
Q3401-03	MSD601-R	TRANSISTOR		3 <R>
Q3404-08	MSC2295-B	TRANSISTOR		5 <R>
Q3410	MSB709-R	TRANSISTOR		1 <R>
Q3411	MSC2295-B	TRANSISTOR		1 <R>
Q3501	MSD601-R	TRANSISTOR		1 <R>
Q3502_03	MSB709-R	TRANSISTOR		2 <R>
Q3504	MSC2295-B	TRANSISTOR		1 <R>
Q3601	MSB709-R	TRANSISTOR		1 <R>
Q3602	MSC2295-B	TRANSISTOR		1 <R>
QR3001	MRN1404	TRANSISTOR		1 <R>
QR3003	MRN2403	TRANSISTOR		1 <R>
QR3006	MRN1403	TRANSISTOR		1 <R>
QR3201_02	MRN1403	TRANSISTOR		2 <R>
QR3203	MRN1404	TRANSISTOR		1 <R>
QR3206_07	MRN1404	TRANSISTOR		2 <R>
QR3402_03	MRN1404	TRANSISTOR		2 <R>
QR3500	MRN1403	TRANSISTOR		1 <R>
R3001	ERJ6GEYJ562	M.RESISTOR CH 1/10W	5.6K	1
R3002-09	ERJ6GEYJ102	M.RESISTOR CH 1/10W	1K	8
R3010-12	VRE0034E102	M.RESISTOR CH 1/10W	1K	3
R3013	ERJ6GEYJ152	M.RESISTOR CH 1/10W	1.5K	1
R3014	VRE0034E112	M.RESISTOR CH 1/10W	1.1K	1
R3015	ERJ6GEYJ122	M.RESISTOR CH 1/10W	1.2K	1
R3017	ERJ6GEYJ101	M.RESISTOR CH 1/10W	100	1
R3018	ERJ6GEYJ222	M.RESISTOR CH 1/10W	2.2K	1
R3019	ERJ6GEYJ152	M.RESISTOR CH 1/10W	1.5K	1
R3020_21	VRE0034E152	M.RESISTOR CH 1/10W	1.5K	2
R3022	ERJ6GEYJ153	M.RESISTOR CH 1/10W	15K	1
R3024	ERJ6GEYJ184	M.RESISTOR CH 1/10W	180K	1
R3026	ERJ6GEYJ225	M.RESISTOR CH 1/10W	2.2M	1
R3027_28	ERJ6GEYJ222	M.RESISTOR CH 1/10W	2.2K	2
R3029	ERJ6GEYJ102	M.RESISTOR CH 1/10W	1K	1
R3030	ERJ6GEYJ223	M.RESISTOR CH 1/10W	22K	1
R3032	VRE0034E241	M.RESISTOR CH 1/10W	240	1
R3033	ERJ6GEYJ562	M.RESISTOR CH 1/10W	5.6K	1
R3034	ERJ6GEYJ332	M.RESISTOR CH 1/10W	3.3K	1

Ref.No.	Part No.	Part Name & Description	Pcs	Remarks	Ref.No.	Part No.	Part Name & Description	Pcs	Remarks
R3035,36	VRE0034E332	M.RESISTOR CH 1/10W 3.3K	2		R3227,28	ERJ6GEYJ223	M.RESISTOR CH 1/10W 22K	2	
R3037	VRE0034E471	M.RESISTOR CH 1/10W 470	1		R3229	ERJ6GEYJ122	M.RESISTOR CH 1/10W 1.2K	1	
R3039	VRE0034E471	M.RESISTOR CH 1/10W 470	1		R3230	ERJ6GEYJ102	M.RESISTOR CH 1/10W 1K	1	
R3040,41	ERJ6GEYJ821	M.RESISTOR CH 1/10W 820	2		R3231,32	ERJ6GEYJ103	M.RESISTOR CH 1/10W 10K	2	
R3042	ERJ6GEYJ822	M.RESISTOR CH 1/10W 8.2K	1		R3233	ERJ6GEYG333	M.RESISTOR CH 1/10W 33K	1	
R3043	ERJ6GEYJ471	M.RESISTOR CH 1/10W 470	1		R3234,35	ERJ6GEYJ223	M.RESISTOR CH 1/10W 22K	2	
R3044	ERJ6GEYJ222	M.RESISTOR CH 1/10W 2.2K	1		R3236-39	ERJ6GEYJ102	M.RESISTOR CH 1/10W 1K	4	
R3045	ERJ6GEYJ122	M.RESISTOR CH 1/10W 1.2K	1		R3240	ERJ6GEYJ223	M.RESISTOR CH 1/10W 22K	1	
R3047	ERJ6GEYJ122	M.RESISTOR CH 1/10W 1.2K	1		R3241,42	ERJ6GEYJ102	M.RESISTOR CH 1/10W 1K	2	
R3048	ERJ6GEYJ222	M.RESISTOR CH 1/10W 2.2K	1		R3243	ERJ6GEYJ332	M.RESISTOR CH 1/10W 3.3K	1	
R3050	ERJ6GEYJ103	M.RESISTOR CH 1/10W 10K	1		R3244	ERJ6GEYJ473	M.RESISTOR CH 1/10W 47K	1	
R3051	ERJ6GEYJ152	M.RESISTOR CH 1/10W 1.5K	1		R3245,46	ERJ6GEYJ561	M.RESISTOR CH 1/10W 560	2	
R3052	ERJ6GEYJ103	M.RESISTOR CH 1/10W 10K	1		R3247	ERJ6GEYG472	M.RESISTOR CH 1/10W 4.7K	1	
R3053	ERJ6GEYJ330	M.RESISTOR CH 1/10W 33	1		R3249	ERJ6GEYJ562	M.RESISTOR CH 1/10W 5.6K	1	
R3054	ERJ6GEYJ471	M.RESISTOR CH 1/10W 470	1		R3250	ERJ6GEYJ103	M.RESISTOR CH 1/10W 10K	1	
R3055	ERJ6GEYJ561	M.RESISTOR CH 1/10W 560	1		R3251	ERJ6GEYJ220	M.RESISTOR CH 1/10W 22	1	
R3056	ERJ6GEYJ222	M.RESISTOR CH 1/10W 2.2K	1		R3252	ERJ6GEYG472	M.RESISTOR CH 1/10W 4.7K	1	
R3057	ERJ6GEYOR00	M.RESISTOR CH 1/10W 0	1		R3253	ERJ6GEYJ271	M.RESISTOR CH 1/10W 270	1	
R3058	ERJ6GEYG153	M.RESISTOR CH 1/10W 15K	1		R3254	ERJ6GEYJ182	M.RESISTOR CH 1/10W 1.8K	1	
R3061	ERJ6GEYJ105	M.RESISTOR CH 1/10W 1M	1		R3255,56	ERJ6GEYJ102	M.RESISTOR CH 1/10W 1K	2	
R3062	ERJ6GEYOR00	M.RESISTOR CH 1/10W 0	1		R3262,63	ERJ6GEYJ102	M.RESISTOR CH 1/10W 1K	2	
R3063,64	ERJ6GEYJ473	M.RESISTOR CH 1/10W 47K	2		R3264	ERJ6GEYJ332	M.RESISTOR CH 1/10W 3.3K	1	
R3066	ERJ6GEYOR00	M.RESISTOR CH 1/10W 0	1		R3265	ERJ6GEYJ152	M.RESISTOR CH 1/10W 1.5K	1	
R3069	ERJ6GEYJ103	M.RESISTOR CH 1/10W 10K	1		R3266	ERJ6GEYG153	M.RESISTOR CH 1/10W 15K	1	
R3070	ERJ6GEYG153	M.RESISTOR CH 1/10W 15K	1		R3267	ERJ6GEYJ223	M.RESISTOR CH 1/10W 22K	1	
R3071,72	ERJ6GEYJ682	M.RESISTOR CH 1/10W 6.8K	2		R3268	ERJ6GEYJ183	M.RESISTOR CH 1/10W 18K	1	
R3075	ERJ6GEYJ681	M.RESISTOR CH 1/10W 680	1		R3269,70	ERJ6GEYJ102	M.RESISTOR CH 1/10W 1K	2	
R3077	ERJ6GEYJ102	M.RESISTOR CH 1/10W 1K	1		R3271,72	ERJ6GEYJ392	M.RESISTOR CH 1/10W 3.9K	2	
R3078	VRE0034E392	M.RESISTOR CH 1/10W 3.9K	1		R3273	ERJ6GEYJ102	M.RESISTOR CH 1/10W 1K	1	
R3079	VRE0034E333	M.RESISTOR CH 1/10W 33K	1		R3274,75	ERJ6GEYG472	M.RESISTOR CH 1/10W 4.7K	2	
R3080	ERJ6GEYJ104	M.RESISTOR CH 1/10W 100K	1		R3276	ERJ6GEYJ511	M.RESISTOR CH 1/10W 510	1	
R3081	ERJ6GEYJ561	M.RESISTOR CH 1/10W 560	1		R3277	ERJ6GEYJ102	M.RESISTOR CH 1/10W 1K	1	
R3082	ERJ6GEYJ471	M.RESISTOR CH 1/10W 470	1		R3278	ERJ6GEYG472	M.RESISTOR CH 1/10W 4.7K	1	
R3083	ERJ6GEYJ102	M.RESISTOR CH 1/10W 1K	1		R3279,80	ERJ6GEYJ102	M.RESISTOR CH 1/10W 1K	2	
R3084	ERJ6GEYJ391	M.RESISTOR CH 1/10W 390	1		R3281	ERJ6GEYJ471	M.RESISTOR CH 1/10W 470	1	
R3085	VRE0034E333	M.RESISTOR CH 1/10W 33K	1		R3282	ERJ6GEYJ681	M.RESISTOR CH 1/10W 680	1	
R3086	VRE0034E153	M.RESISTOR CH 1/10W 15K	1		R3284	ERJ6GEYJ223	M.RESISTOR CH 1/10W 22K	1	
R3087	VRE0034E223	M.RESISTOR CH 1/10W 22K	1		R3285	ERJ6GEYJ101	M.RESISTOR CH 1/10W 100	1	
R3088,89	ERJ6GEYJ681	M.RESISTOR CH 1/10W 680	2		R3286	ERJ6GEYJ104	M.RESISTOR CH 1/10W 100K	1	
R3090	ERJ6GEYJ102	M.RESISTOR CH 1/10W 1K	1		R3287,88	ERJ6GEYJ103	M.RESISTOR CH 1/10W 10K	2	
R3091	ERJ6GEYJ471	M.RESISTOR CH 1/10W 470	1		R3289	ERJ6GEYJ473	M.RESISTOR CH 1/10W 47K	1	
R3092	ERJ6GEYJ331	M.RESISTOR CH 1/10W 330	1		R3290	ERJ6GEYOR00	M.RESISTOR CH 1/10W 0	1	
R3093-95	ERJ6GEYJ681	M.RESISTOR CH 1/10W 680	3		R3291	ERJ6GEYG333	M.RESISTOR CH 1/10W 33K	1	
R3096	ERJ6GEYJ621	M.RESISTOR CH 1/10W 620	1		R3292,93	ERJ6GEYJ223	M.RESISTOR CH 1/10W 22K	2	
R3097	ERJ6GEYJ101	M.RESISTOR CH 1/10W 100	1		R3295	ERJ6GEYJ102	M.RESISTOR CH 1/10W 1K	1	
R3098	ERJ6GEYJ681	M.RESISTOR CH 1/10W 680	1		R3297	ERJ6GEYJ392	M.RESISTOR CH 1/10W 3.9K	1	
R3099	ERJ6GEYOR00	M.RESISTOR CH 1/10W 0	1		R3298	ERJ6GEYJ562	M.RESISTOR CH 1/10W 5.6K	1	
R3102	VRE0034E333	M.RESISTOR CH 1/10W 33K	1		R3299,00	ERJ6GEYJ103	M.RESISTOR CH 1/10W 10K	2	
R3103	VRE0034E112	M.RESISTOR CH 1/10W 1.1K	1		R3301	ERJ6GEYG333	M.RESISTOR CH 1/10W 33K	1	
R3104	ERJ6GEYJ103	M.RESISTOR CH 1/10W 10K	1		R3302	ERJ6GEYJ102	M.RESISTOR CH 1/10W 1K	1	
R3105	VRE0034E183	M.RESISTOR CH 1/10W 18K	1		R3400	ERJ6GEYJ103	M.RESISTOR CH 1/10W 10K	1	
R3107	ERJ6GEYG472	M.RESISTOR CH 1/10W 4.7K	1		R3401	ERJ6GEYJ102	M.RESISTOR CH 1/10W 1K	1	
R3112	ERJ6GEYJ103	M.RESISTOR CH 1/10W 10K	1		R3402	ERDS2T0	C.RESISTOR 1/4W 0	1	
R3113	ERJ6GEYJ471	M.RESISTOR CH 1/10W 470	1		R3403,04	ERJ6GEYJ102	M.RESISTOR CH 1/10W 1K	2	
R3114	ERJ6GEYJ221	M.RESISTOR CH 1/10W 220	1		R3405	ERJ6GEYJ122	M.RESISTOR CH 1/10W 1.2K	1	
R3115	ERJ6GEYJ102	M.RESISTOR CH 1/10W 1K	1		R3407	ERJ6GEYG472	M.RESISTOR CH 1/10W 4.7K	1	
R3201,02	ERJ6GEYJ562	M.RESISTOR CH 1/10W 5.6K	2		R3408	ERJ6GEYJ331	M.RESISTOR CH 1/10W 330	1	
R3203	ERJ6GEYJ101	M.RESISTOR CH 1/10W 100	1		R3409	ERJ6GEYOR00	M.RESISTOR CH 1/10W 0	1	
R3205	ERJ6GEYJ223	M.RESISTOR CH 1/10W 22K	1		R3410	ERJ6GEYG333	M.RESISTOR CH 1/10W 33K	1	
R3206	ERJ6GEYJ103	M.RESISTOR CH 1/10W 10K	1		R3411	ERJ6GEYJ562	M.RESISTOR CH 1/10W 5.6K	1	
R3208	ERJ6GEYOR00	M.RESISTOR CH 1/10W 0	1		R3412	ERJ6GEYG153	M.RESISTOR CH 1/10W 15K	1	
R3209,10	ERJ6GEYJ223	M.RESISTOR CH 1/10W 22K	2		R3413	ERJ6GEYG333	M.RESISTOR CH 1/10W 33K	1	
R3211	ERJ6GEYG153	M.RESISTOR CH 1/10W 15K	1		R3414	ERJ6GEYJ223	M.RESISTOR CH 1/10W 22K	1	
R3212	ERJ6GEYJ101	M.RESISTOR CH 1/10W 100	1		R3415	ERJ6GEYJ271	M.RESISTOR CH 1/10W 270	1	
R3214,15	ERJ6GEYJ102	M.RESISTOR CH 1/10W 1K	2		R3416	ERJ6GEYJ273	M.RESISTOR CH 1/10W 27K	1	
R3216	ERJ6GEYJ103	M.RESISTOR CH 1/10W 10K	1		R3417	ERJ6GEYJ681	M.RESISTOR CH 1/10W 680	1	
R3218	ERJ6GEYJ563	M.RESISTOR CH 1/10W 56K	1		R3418	ERJ6GEYJ122	M.RESISTOR CH 1/10W 1.2K	1	
R3219	ERJ6GEYJ182	M.RESISTOR CH 1/10W 1.8K	1		R3419	ERJ6GEYJ152	M.RESISTOR CH 1/10W 1.5K	1	
R3220	ERJ6GEYJ103	M.RESISTOR CH 1/10W 10K	1		R3420	ERJ6GEYJ102	M.RESISTOR CH 1/10W 1K	1	
R3221	ERJ6GEYJ822	M.RESISTOR CH 1/10W 8.2K	1		R3421	ERJ6GEYJ103	M.RESISTOR CH 1/10W 10K	1	
R3222	ERJ6GEYG153	M.RESISTOR CH 1/10W 15K	1		R3422	ERJ6GEYJ223	M.RESISTOR CH 1/10W 22K	1	
R3223	ERJ6GEYJ182	M.RESISTOR CH 1/10W 1.8K	1		R3423	ERJ6GEYJ681	M.RESISTOR CH 1/10W 680	1	
R3224	ERJ6GEYJ103	M.RESISTOR CH 1/10W 10K	1		R3424	ERJ6GEYJ122	M.RESISTOR CH 1/10W 1.2K	1	
R3225	ERJ6GEYJ512	M.RESISTOR CH 1/10W 5.1K	1		R3425	ERJ6GEYJ223	M.RESISTOR CH 1/10W 22K	1	
R3226	ERJ6GEYJ393	M.RESISTOR CH 1/10W 39K	1		R3426-28	ERJ6GEYJ102	M.RESISTOR CH 1/10W 1K	3	

Ref.No.	Part No.	Part Name & Description	Pcs	Remarks	Ref.No.	Part No.	Part Name & Description	Pcs	Remarks
R3429	ERJ6GEYJ101	M.RESISTOR CH 1/10W 100	1		R3542	ERJ6GEYJ683	M.RESISTOR CH 1/10W 68K	1	
R3430	ERJ6GEYJ222	M.RESISTOR CH 1/10W 2.2K	1		R3543	ERJ6GEYJ272	M.RESISTOR CH 1/10W 2.7K	1	
R3431	ERJ6GEYJ103	M.RESISTOR CH 1/10W 10K	1		R3544	ERJ6GEYJ331	M.RESISTOR CH 1/10W 330	1	
R3432	ERJ6GEYJ183	M.RESISTOR CH 1/10W 18K	1		R3545,46	ERJ6GEYJ222	M.RESISTOR CH 1/10W 2.2K	2	
R3433	ERJ6GEYJ272	M.RESISTOR CH 1/10W 2.7K	1		R3547	ERJ6GEYJ223	M.RESISTOR CH 1/10W 2.2K	1	
R3434	ERJ6GEYJ561	M.RESISTOR CH 1/10W 560	1		R3548	ERJ6GEYJ104	M.RESISTOR CH 1/10W 100K	1	
R3435-37	ERJ6GEYJ222	M.RESISTOR CH 1/10W 2.2K	3		R3549	ERJ6GEYJ563	M.RESISTOR CH 1/10W 56K	1	
R3438	ERJ6GEYG472	M.RESISTOR CH 1/10W 4.7K	1		R3550	ERJ6GEYOR00	M.RESISTOR CH 1/10W 0	1	
R3439	ERJ6GEYJ392	M.RESISTOR CH 1/10W 3.9K	1		R3551	ERJ6GEYJ561	M.RESISTOR CH 1/10W 560	1	
R3440	ERJ6GEYG472	M.RESISTOR CH 1/10W 4.7K	1		R3601	ERJ6GEYJ332	M.RESISTOR CH 1/10W 3.3K	1	
R3441	ERJ6GEYOR00	M.RESISTOR CH 1/10W 0	1		R3602	ERJ6GEYJ222	M.RESISTOR CH 1/10W 2.2K	1	
R3445,46	ERJ6GEYJ102	M.RESISTOR CH 1/10W 1K	2		R3603	ERJ6GEYJ102	M.RESISTOR CH 1/10W 1K	1	
R3449	ERJ6GEYG472	M.RESISTOR CH 1/10W 4.7K	1		R3604	ERJ6GEYJ681	M.RESISTOR CH 1/10W 680	1	
R3450,51	ERJ6GEYJ103	M.RESISTOR CH 1/10W 10K	2		R3605	ERJ6GEYJ331	M.RESISTOR CH 1/10W 330	1	
R3452	ERJ6GEYJ223	M.RESISTOR CH 1/10W 2.2K	1		R3606	ERJ6GEYJ103	M.RESISTOR CH 1/10W 10K	1	
R3455	ERJ6GEYJ824	M.RESISTOR CH 1/10W 820K	1		R3607	ERJ6GEYG333	M.RESISTOR CH 1/10W 33K	1	
R3457,58	ERJ6GEYJ331	M.RESISTOR CH 1/10W 330	2		R3608	ERJ6GEYJ221	M.RESISTOR CH 1/10W 220	1	
R3460	ERJ6GEYJ124	M.RESISTOR CH 1/10W 120K	1		R3609	ERJ6GEYJ222	M.RESISTOR CH 1/10W 2.2K	1	
R3461	ERJ6GEYJ824	M.RESISTOR CH 1/10W 820K	1		R3611	ERJ6GEYJ122	M.RESISTOR CH 1/10W 1.2K	1	
R3462	ERJ6GEYJ102	M.RESISTOR CH 1/10W 1K	1		R3612	ERJ6GEYJ182	M.RESISTOR CH 1/10W 1.8K	1	
R3463	ERJ6GEYJ471	M.RESISTOR CH 1/10W 470	1		R3614	ERJ6GEYOR00	M.RESISTOR CH 1/10W 0	1	
R3464	ERJ6GEYOR00	M.RESISTOR CH 1/10W 0	1		R3615	ERJ6GEYJ222	M.RESISTOR CH 1/10W 2.2K	1	
R3465	ERJ6GEYJ471	M.RESISTOR CH 1/10W 470	1		R3616	ERJ6GEYJ102	M.RESISTOR CH 1/10W 1K	1	
R3467	ERJ6GEYJ102	M.RESISTOR CH 1/10W 1K	1						
R3468	ERJ6GEYJ222	M.RESISTOR CH 1/10W 2.2K	1						
R3470	ERJ6GEYJ331	M.RESISTOR CH 1/10W 330	1						
R3471	ERJ6GEYJ103	M.RESISTOR CH 1/10W 10K	1		TH3401-03	ERTD2FHL102S	THERMISTOR 1K	3	
R3472	ERJ6GEYJ681	M.RESISTOR CH 1/10W 680	1						
R3473	ERJ6GEYJ103	M.RESISTOR CH 1/10W 10K	1						
R3474	ERJ6GEYG333	M.RESISTOR CH 1/10W 33K	1						
R3475	ERJ6GEYJ102	M.RESISTOR CH 1/10W 1K	1		VC3201	ECV1ZW60X60	TRIMMER	1	
R3476	ERJ6GEYOR00	M.RESISTOR CH 1/10W 0	1						
R3477-79	ERJ6GEYJ102	M.RESISTOR CH 1/10W 1K	3						
R3484	ERJ6GEYJ102	M.RESISTOR CH 1/10W 1K	1						
R3485	ERJ6GEYG153	M.RESISTOR CH 1/10W 15K	1		VR3003	EVM7JGA00B13	V.RESISTOR 1K	1	
R3486	ERJ6GEYJ223	M.RESISTOR CH 1/10W 2.2K	1		VR3004,05	EVN32CA00B53	V.RESISTOR 5K	2	
R3487	ERJ6GEYJ471	M.RESISTOR CH 1/10W 470	1		VR3006	EVM7DGA00B52	V.RESISTOR 500	1	
R3488	ERJ6GEYJ221	M.RESISTOR CH 1/10W 220	1		VR3202	EVN32CA00B15	V.RESISTOR 100K	1	
R3489	ERJ6GEYJ821	M.RESISTOR CH 1/10W 820	1		VR3203	EVN32CA00B24	VARIABLE 20K	1	
R3490	ERJ6GEYJ223	M.RESISTOR CH 1/10W 2.2K	1		VR3206	EVM7DGA00B14	V.RESISTOR 10K	1	
R3491	ERJ6GEYJ183	M.RESISTOR CH 1/10W 18K	1		VR3207	EVM7DGA00B24	V.RESISTOR 20K	1	
R3492,93	VRE0034E681	M.RESISTOR CH 1/10W 680	2		VR3401-03	EVM7JGA00B13	V.RESISTOR 1K	3	
R3494	VRE0034E122	M.RESISTOR CH 1/10W 1.2K	1		VR3404	EVN32CA00B13	V.RESISTOR 1K	1	
R3495	VRE0034E201	M.RESISTOR CH 1/10W 200	1		VR3406	EVM7DGA00B54	V.RESISTOR 50K	1	
R3496	ERJ6GEYJ152	M.RESISTOR CH 1/10W 1.5K	1		VR3407	EVM7DGA00B23	V.RESISTOR 2K	1	
R3499	ERJ6GEYJ101	M.RESISTOR CH 1/10W 100	1		VR3408	EVM7DGA00B54	V.RESISTOR 50K	1	
R3501	ERJ6GEYG472	M.RESISTOR CH 1/10W 4.7K	1		VR3410	EVN32CA00B54	V.RESISTOR 50K	1	
R3502	ERJ6GEYOR00	M.RESISTOR CH 1/10W 0	1						
R3503	ERJ6GEYG472	M.RESISTOR CH 1/10W 4.7K	1						
R3504	ERJ6GEYJ152	M.RESISTOR CH 1/10W 1.5K	1		X3201	VSX0406	CRYSTAL OSCILLATOR	1	<R>
R3506	ERJ6GEYJ103	M.RESISTOR CH 1/10W 10K	1		X3401	VSX0316	CRYSTAL OSCILLATOR	1	<R>
R3507	ERJ6GEYJ102	M.RESISTOR CH 1/10W 1K	1						
R3508	ERJ6GEYJ222	M.RESISTOR CH 1/10W 2.2K	1						
R3509	ERJ6GEYJ103	M.RESISTOR CH 1/10W 10K	1						
R3510	ERJ6GEYG472	M.RESISTOR CH 1/10W 4.7K	1						
R3511,12	ERJ6GEYJ102	M.RESISTOR CH 1/10W 1K	2						
R3513	ERJ6GEYJ223	M.RESISTOR CH 1/10W 2.2K	1						
R3514	ERJ6GEYJ103	M.RESISTOR CH 1/10W 10K	1		E48	VMZ2228	INSULATOR	1	
R3515	ERJ6GEYJ912	M.RESISTOR CH 1/10W 9.1K	1		E49	VSC3973	SHIELD PLATE	1	
R3516	ERJ6GEYJ104	M.RESISTOR CH 1/10W 100K	1		E50	XTV3+6FFR	SCREW	2	
R3517	ERJ6GEYJ103	M.RESISTOR CH 1/10W 10K	1						
R3518	ERJ6GEYJ273	M.RESISTOR CH 1/10W 27K	1						
R3519	ERJ6GEYJ105	M.RESISTOR CH 1/10W 1M	1						
R3520,21	ERJ6GEYJ103	M.RESISTOR CH 1/10W 10K	2						
R3529	ERJ6GEYJ103	M.RESISTOR CH 1/10W 10K	1						
R3530	ERJ6GEYG153	M.RESISTOR CH 1/10W 15K	1						
R3531	ERJ6GEYJ433	M.RESISTOR CH 1/10W 43K	1						
R3532	ERJ6GEYJ473	M.RESISTOR CH 1/10W 47K	1						
R3533	ERJ6GEYJ224	M.RESISTOR CH 1/10W 220K	1						
R3534	ERJ6GEYJ124	M.RESISTOR CH 1/10W 120K	1						
R3536	ERJ6GEYJ222	M.RESISTOR CH 1/10W 2.2K	1						
R3537	ERJ6GEYJ152	M.RESISTOR CH 1/10W 1.5K	1						
R3538	ERJ6GEYJ102	M.RESISTOR CH 1/10W 1K	1						
R3540	ERJ6GEYJ683	M.RESISTOR CH 1/10W 68K	1						
R3541	ERJ6GEYJ272	M.RESISTOR CH 1/10W 2.7K	1						



Ref.No.	Part No.	Part Name & Description	Pcs	Remarks
	VEP043288	P.C. BOARD W/COMPONENT METER		AG-8600E
D4201-06	LN440YCPUVT1	DIODE	6	<R>
P4201	VJP3529	CONNECTOR	1	
R4201,02	ERDS2TJ151	C.RESISTOR 1/4W 150	2	
R4209,10	ERDS2TJ151	C.RESISTOR 1/4W 150	2	
		MISCELLANEOUS		
E55	VGFO245	METER HOLDER	2	
E56	VSE0117	METER	1	
E57	VSE0115	AUDIO METER	1	

Ref.No.	Part No.	Part Name & Description	Pcs	Remarks
	VEP04419A	P.C. BOARD W/COMPONENT MIC JACK		AG-8700E
C4301	ECEA1CKA100	E.CAPACITOR 16V 10U	1	
C4302	ECUM1H102KBN	C.CAPACITOR CH 50V 1000P	1	
C4303-05	ECEA1CKA470	E.CAPACITOR 16V 47U	3	
C4306	ECEA1CKA100	E.CAPACITOR 16V 10U	1	
C4307	ECUM1H102KBN	C.CAPACITOR CH 50V 1000P	1	
C4308	ECEA1CKA470	E.CAPACITOR 16V 47U	1	
C4310,11	ECKF1H103ZF	C.CAPACITOR 50V 0.01U	2	
FL4301,02	VLF0523	FILTER	2	
IC4301	NJM2068MD	IC	1	<R>
J4301,02	VJJ0078	MIC JACK	2	
P4301	VJP3076	CONNECTOR	1	
Q4301	MSD602-R	TRANSISTOR	1	<R>
R4301,02	ERJ6GEYJ224	M.RESISTOR CH 1/10W 220K	2	
R4303	ERJ6GEYJ561	M.RESISTOR CH 1/10W 560	1	
R4304	ERJ6GEYJ124	M.RESISTOR CH 1/10W 120K	1	
R4305	ERJ6GEYJ753	M.RESISTOR CH 1/10W 75K	1	
R4306	ERJ6GEYJ182	M.RESISTOR CH 1/10W 1.8K	1	
R4307,08	ERJ6GEYJ224	M.RESISTOR CH 1/10W 220K	2	
R4309	ERJ6GEYJ124	M.RESISTOR CH 1/10W 120K	1	
R4310	ERJ6GEYJ753	M.RESISTOR CH 1/10W 75K	1	
R4311,12	ERJ6GEYJ330	M.RESISTOR CH 1/10W 33	2	
R4314,15	ERJ6GEYOR00	M.RESISTOR CH 1/10W 0	2	
R4316	ERJ6GEYJ561	M.RESISTOR CH 1/10W 560	1	
		MISCELLANEOUS		
E62	VSC3429	SHIELD COVER	1	
E63	VMP3224	MIC JACK ANGLE	1	
	VQL4821	ROM LABEL	1	

Ref.No.	Part No.	Part Name & Description	Pcs	Remarks	Ref.No.	Part No.	Part Name & Description	Pcs	Remarks
	VEP04420C	P. C. BOARD W/COMPONENT AUDIO (1)		AG-8700E					
C40001	ECEA1CGE471	E. CAPACITOR 16V 470U	1		C40075	ECUM1H153KBN	C. CAPACITOR CH 50V 0.015U	1	
C40002	ECUM1H153KBN	C. CAPACITOR CH 50V 0.015U	1		C40076	ECEA1HGE2R2	E. CAPACITOR 50V 2.2U	1	
C40003	ECEA1CGE101	E. CAPACITOR 16V 100U	1		C40077	ECUM1H182KBN	C. CAPACITOR CH 50V 1800P	1	
C40004	ECSF1EE106	T. CAPACITOR 25V 10U	1		C40078	ECSF1EE336	T. CAPACITOR 25V 33U	1	
C40006	ECEA1HN010S	E. CAPACITOR 50V 1U	1		C40079, 80	ECSF1CE106	T. CAPACITOR 16V 22U	2	
C40007	ECEA1HGE010	E. CAPACITOR 50V 1U	1		C40081	ECSF1EE106	T. CAPACITOR 25V 10U	1	
C40008, 09	ECEA1HGE100	E. CAPACITOR 50V 10U	2		C40082	ECSF1HE105	T. CAPACITOR 50V 1U	1	
C40010	ECEA1CN100S	E. CAPACITOR 16V 10U	1		C40083	ECUM1H102KBN	C. CAPACITOR CH 50V 1000P	1	
C40011	ECEA1HGE100	E. CAPACITOR 50V 10U	1		C40084	ECSF1CE336	T. CAPACITOR 16V 33U	1	
C40012	ECQB1H104JF	P. CAPACITOR 50V 0.1U	1		C40085	ECQB1H823JF	P. CAPACITOR 50V 0.082U	1	
C40013	ECUM1H560JCN	C. CAPACITOR CH 50V 56P	1		C40086	ECEA1HGE4R7	E. CAPACITOR 50V 4.7U	1	
C40014	ECEA0JGE221	E. CAPACITOR 6.3V 220U	1		C40087	ECUM1H101JCN	C. CAPACITOR CH 50V 100P	1	
C40015	ECEA1CGE221	E. CAPACITOR 16V 220U	1		C40088	ECEA1HGE2R2	E. CAPACITOR 50V 2.2U	1	
C40016	ECQV1H334JZ	P. CAPACITOR 50V 0.33U	1		C40089	ECQB1H104JF	P. CAPACITOR 50V 0.1U	1	
C40017	ECQB1H104JF	P. CAPACITOR 50V 0.1U	1		C40090	ECUM1H560JCN	C. CAPACITOR CH 50V 56P	1	
C40018	ECEA1HGE100	E. CAPACITOR 50V 10U	1		C40091	ECUM1H223KBN	C. CAPACITOR 50V 0.022U	1	
C40019	ECEA1CGE101	E. CAPACITOR 16V 100U	1		C40092, 93	ECEA1HGE100	E. CAPACITOR 50V 10U	2	
C40020	ECQB1H473JF	P. CAPACITOR 50V 0.047U	1		C40094	ECUM1H223KBN	C. CAPACITOR 50V 0.022U	1	
C40021	ECKW2H331KB	C. CAPACITOR 500V 330P	1		C40095	ECEA1HGE100	E. CAPACITOR 50V 10U	1	
C40022	ECKD2H151KB	C. CAPACITOR 500V 150P	1		C40096	ECEA1CN100S	E. CAPACITOR 16V 10U	1	
C40023	ECUM1H102KBN	C. CAPACITOR CH 50V 1000P	1		C40097	ECEA1HGE100	E. CAPACITOR 50V 10U	1	
C40024	ECQP1H223JZ	P. CAPACITOR 50V 0.022U	1		C40098	ECUM1H273KBN	C. CAPACITOR CH 50V 0.027U	1	
C40025	ECUM1H102KBN	C. CAPACITOR CH 50V 1000P	1		C40099	ECEA1HN010S	E. CAPACITOR 50V 1U	1	
C40026	ECQB1H103JF	P. CAPACITOR 50V 0.01U	1		C40101	ECSF1EE106	T. CAPACITOR 25V 10U	1	
C40027	ECQP1152JZ	P. CAPACITOR 100V 1500P	1		C40102	ECEA1HGE010	E. CAPACITOR 50V 1U	1	
C40028	ECEA1CGE101	E. CAPACITOR 16V 100U	1		C40103	ECEA0JGE221	E. CAPACITOR 6.3V 220U	1	
C40029	ECSF1EE336	T. CAPACITOR 25V 33U	1		C40104	ECQV1H334JZ	P. CAPACITOR 50V 0.33U	1	
C40030	ECUM1H182KBN	C. CAPACITOR CH 50V 1800P	1		C40105	ECQB1H104JF	P. CAPACITOR 50V 0.1U	1	
C40031, 32	ECSF1CE106	T. CAPACITOR 16V 22U	2		C40106	ECEA1HGE100	E. CAPACITOR 50V 10U	1	
C40033	ECSF1EE106	T. CAPACITOR 25V 10U	1		C40107	ECQB1H473JF	P. CAPACITOR 50V 0.047U	1	
C40034	ECSF1HE105	T. CAPACITOR 50V 1U	1		C40108	ECEA1CGE101	E. CAPACITOR 16V 100U	1	
C40035	ECUM1H102KBN	C. CAPACITOR CH 50V 1000P	1		C40109	ECEA1CGE221	E. CAPACITOR 16V 220U	1	
C40036	ECSF1CE336	T. CAPACITOR 16V 33U	1		C40110	ECEA1HGE100	E. CAPACITOR 50V 10U	1	
C40037	ECQB1H823JF	P. CAPACITOR 50V 0.082U	1		C40111	ECQB1H273JF	P. CAPACITOR 50V 0.027U	1	
C40038	ECUM1H101JCN	C. CAPACITOR CH 50V 100P	1		C40112	ECUM1H102KBN	C. CAPACITOR CH 50V 1000P	1	
C40039	ECEA1HGE4R7	E. CAPACITOR 50V 4.7U	1		C40113	ECQB1H472JF	P. CAPACITOR 50V 4700P	1	
C40040	ECEA1HGE2R2	E. CAPACITOR 50V 2.2U	1		C40114	ECQB1H562JF	P. CAPACITOR 50V 5600P	1	
C40041, 42	ECUM1H223KBN	C. CAPACITOR 50V 0.022U	2		C40115	ECEA1HGE010	E. CAPACITOR 50V 1U	1	
C40043	ECEA1HGE100	E. CAPACITOR 50V 10U	1		C40116	ECQB1H472JF	P. CAPACITOR 50V 4700P	1	
C40044	ECQB1H472JF	P. CAPACITOR 50V 4700P	1		C40117	ECEA1HGE100	E. CAPACITOR 50V 10U	1	
C40045	ECQB1H273JF	P. CAPACITOR 50V 0.027U	1		C40118	ECUM1H102JCN	C. CAPACITOR CH 50V 1000P	1	
C40046	ECEA1HGE100	E. CAPACITOR 50V 10U	1		C40119	ECQB1H222JF	P. CAPACITOR 50V 2200P	1	
C40047	ECUM1H102KBN	C. CAPACITOR CH 50V 1000P	1		C40120	ECUM1C104KBN	C. CAPACITOR CH 16V 0.1U	1	
C40048	ECQB1H562JF	P. CAPACITOR 50V 5600P	1		C40121	ECKW2H331KB	C. CAPACITOR 500V 330P	1	
C40049	ECEA1HGE010	E. CAPACITOR 50V 1U	1		C40122	ECKD2H151KB	C. CAPACITOR 500V 150P	1	
C40050	ECQB1H472JF	P. CAPACITOR 50V 4700P	1		C40123	ECQP1152JZ	P. CAPACITOR 100V 1500P	1	
C40051	ECQP1152JZ	P. CAPACITOR 100V 1500P	1		C40124	ECEA1HGE010	E. CAPACITOR 50V 1U	1	
C40052	ECEA1HGE100	E. CAPACITOR 50V 10U	1		C40125	ECUM1H102KBN	C. CAPACITOR CH 50V 1000P	1	
C40053	ECUM1H102JCN	C. CAPACITOR CH 50V 1000P	1		C40126	ECUM1H152KBN	C. CAPACITOR CH 50V 1500P	1	
C40054	ECUM1H152KBN	C. CAPACITOR CH 50V 1500P	1		C40127	ECEA1HN2R2S	E. CAPACITOR 50V 2.2U	1	
C40055	ECUM1H102KBN	C. CAPACITOR CH 50V 1000P	1		C40128	ECEA1HN010S	E. CAPACITOR 50V 1U	1	
C40056	ECEA1HGE010	E. CAPACITOR 50V 1U	1		C40129	ECUM1C104KBN	C. CAPACITOR CH 16V 0.1U	1	
C40057	ECEA1HN2R2S	E. CAPACITOR 50V 2.2U	1		C40130	ECUM1H222KBN	C. CAPACITOR CH 50V 2200P	1	
C40058	ECEA1HN010S	E. CAPACITOR 50V 1U	1		C40131	ECUM1H152KBN	C. CAPACITOR CH 50V 1500P	1	
C40059	ECUM1C104KBN	C. CAPACITOR CH 16V 0.1U	1		C40132	ECQB1H53JF	P. CAPACITOR 50V 0.015U	1	
C40060, 61	ECUM1H102KBN	C. CAPACITOR CH 50V 1000P	2		C40133, 34	ECUM1H102KBN	C. CAPACITOR CH 50V 1000P	2	
C40062	ECQB1H473JF	P. CAPACITOR 50V 0.047U	1		C40135	ECQB1H473JF	P. CAPACITOR 50V 0.047U	1	
C40063	ECEA1HGE100	E. CAPACITOR 50V 10U	1		C40136	ECEA1EN4R7S	E. CAPACITOR 25V 4.7U	1	
C40064	ECEA1EN4R7S	E. CAPACITOR 25V 4.7U	1		C40137	ECEA1HGE100	E. CAPACITOR 50V 10U	1	
C40065	ECQB1H222JF	P. CAPACITOR 50V 2200P	1		C40138	ECQB1H222JF	P. CAPACITOR 50V 2200P	1	
C40066	ECUM1C104KBN	C. CAPACITOR CH 16V 0.1U	1		C40139	ECEA1CGE471	E. CAPACITOR 16V 470U	1	
C40067	ECUM1H222KBN	C. CAPACITOR CH 50V 2200P	1		C40140, 41	ECEA1CGE101	E. CAPACITOR 16V 100U	2	
C40068	ECUM1H152KBN	C. CAPACITOR CH 50V 1500P	1		C40142	ECEA1HGE220	E. CAPACITOR 50V 22U	1	
C40069	ECQB1H153JF	P. CAPACITOR 50V 0.015U	1		C40143	ECEA1CGE101	E. CAPACITOR 16V 100U	1	
C40070	ECUM1H273KBN	C. CAPACITOR CH 50V 0.027U	1		C40144	ECUM1H103KBN	C. CAPACITOR CH 50V 0.01U	1	
C40071	ECEA1HGE2R2	E. CAPACITOR 50V 2.2U	1		C40145	ECEA1VGE330	E. CAPACITOR 35V 33U	1	
C40072	ECQB1H222JF	P. CAPACITOR 50V 2200P	1		C40146	ECQB1H104JF	P. CAPACITOR 50V 0.1U	1	
C40073	ECEA1CGE471	E. CAPACITOR 16V 470U	1		C40147	ECEA1VGE330	E. CAPACITOR 35V 33U	1	
C40074	ECEA1CGE101	E. CAPACITOR 16V 100U	1		C40148	ECUM1H330JCN	C. CAPACITOR CH 50V 33P	1	
					C40149	ECEA1HGE010	E. CAPACITOR 50V 1U	1	
					C40150	ECUM1H102KBN	C. CAPACITOR CH 50V 1000P	1	
					C40151	ECEA1VGE330	E. CAPACITOR 35V 33U	1	
					C40152	ECEA1CGE101	E. CAPACITOR 16V 100U	1	
					C40153	ECUM1H102KBN	C. CAPACITOR CH 50V 1000P	1	
					C40154	ECEA1CGE101	E. CAPACITOR 16V 100U	1	



Ref.No.	Part No.	Part Name & Description	Pcs	Remarks
C40155	ECEA1HGE100	E.CAPACITOR 50V 10U	1	
C40156-58	ECUM1H103KBN	C.CAPACITOR CH 50V 0.01U	3	
C40159,60	ECEA1HGE100	E.CAPACITOR 50V 10U	2	
C40161	ECEA1AGE101	E.CAPACITOR 10V 100U	1	
C40162,63	ECEA1HGE100	E.CAPACITOR 50V 10U	2	
C40164	ECEA1CN100S	E.CAPACITOR 16V 10U	1	
C40165,66	ECUM1H103KBN	C.CAPACITOR CH 50V 0.01U	2	
C40167	ECEA1HGE100	E.CAPACITOR 50V 10U	1	
C40168	ECEA1CN100S	E.CAPACITOR 16V 10U	1	
C40169	ECEA1VGE330	E.CAPACITOR 35V 33U	1	
C40170	ECEA1HGE010	E.CAPACITOR 50V 1U	1	
C40171	ECEA1CGE470	E.CAPACITOR 16V 47U	1	
C40172	ECEA1VGE330	E.CAPACITOR 35V 33U	1	
C40173	ECEA1CGE470	E.CAPACITOR 16V 47U	1	
C40175	ECEA1CGE101	E.CAPACITOR 16V 100U	1	
C40176	ECEA1CGE470	E.CAPACITOR 16V 47U	1	
C40180-83	ECEA1HGE100	E.CAPACITOR 50V 10U	4	
D40001-11	MA151K	DIODE	11	<R>
D40012,13	MA151WA	DIODE	2	<R>
D40014,15	MA151K	DIODE	2	<R>
D40016	MA151WK	DIODE	1	<R>
D40017	MA151K	DIODE	1	<R>
D40018	MA723	DIODE	1	<R>
D40019	MA165VT	DIODE	1	<R>
D40020,21	MA151K	DIODE	2	<R>
FL40001,02	VLF0402	FILTER	2	
IC40001	HA12005	IC	1	<R>
IC40002	NE646N	IC	1	<R>
IC40003	HA12005	IC	1	<R>
IC40004	NE646N	IC	1	<R>
IC40005	UPC4558G2	IC	1	<R>
IC40006,07	MN1280R	IC	2	<R>
IC40008	AN360	IC	1	<R>
IC40009	MC14053BF	IC	1	<R>
IC40010-12	MC74HC595AF	IC	3	<R>
IC40013-15	TD62503F	IC	3	<R>
IC40016	MC14066BF	IC	1	<R>
IC40017	MC14053BF	IC	1	<R>
IC40018,19	AN6558S	IC	2	<R>
IC40020	M51132L	IC	1	<R>
IC40021	TC7S32F	IC	1	<R>
J40001	ERJ6GEY0R00	M.RESISTOR CH 1/10W 0	1	
J40003-05	ERJ6GEY0R00	M.RESISTOR CH 1/10W 0	3	
L40001	VLQEL06F102K	COIL 1000UH	1	
L40002	VLQ0123	COIL	1	
L40003	VLQEL06F102K	COIL 1000UH	1	
L40004,05	VLQEL06F471K	COIL 470UH	2	
L40006	VLQEL06F102K	COIL 1000UH	1	
L40007	VLQ0123	COIL	1	
L40008,09	VLQEL06F102K	COIL 1000UH	2	
L40010	VLQ0460	COIL	1	
P40001	VJP1231T	CONNECTOR (MALE) 4P	1	
P40002	VJP1230R	CONNECTOR (MALE) 3P	1	
P40003	VJP1230T	CONNECTOR (MALE) 3P	1	
P40004	VJP3176B064	CONNECTOR (MALE) 64P	1	

Ref.No.	Part No.	Part Name & Description	Pcs	Remarks
Q40001	2SD1306	TRANSISTOR	1	<R>
Q40002,03	2SD1149-R	TRANSISTOR	2	<R>
Q40004	2SB709A	TRANSISTOR	1	<R>
Q40005,06	MSD601-R	TRANSISTOR	2	<R>
Q40007	MSB709-R	TRANSISTOR	1	<R>
Q40008	2SD636	TRANSISTOR	1	<R>
Q40009	2SD1862	TRANSISTOR	1	<R>
Q40010	2SB643	TRANSISTOR	1	<R>
Q40011	2SD1149-R	TRANSISTOR	1	<R>
Q40012	MSB709-R	TRANSISTOR	1	<R>
Q40013	2SD1149-R	TRANSISTOR	1	<R>
Q40014,15	2SD602A	TRANSISTOR	2	<R>
Q40016,17	2SB710A-R	TRANSISTOR	2	<R>
Q40018	2SD1862	TRANSISTOR	1	<R>
Q40019	MSB709-R	TRANSISTOR	1	<R>
Q40020,21	2SD602A	TRANSISTOR	2	<R>
Q40022,23	2SC2405-S	TRANSISTOR	2	<R>
Q40024,25	2SD1306	TRANSISTOR	2	<R>
Q40026	2SD1149-R	TRANSISTOR	1	<R>
Q40027	2SB709A	TRANSISTOR	1	<R>
Q40028	2SD1149-R	TRANSISTOR	1	<R>
Q40029,30	MSD601-R	TRANSISTOR	2	<R>
Q40031	MSB709-R	TRANSISTOR	1	<R>
Q40032	2SD636	TRANSISTOR	1	<R>
Q40033	2SD1149-R	TRANSISTOR	1	<R>
Q40034	MSB709-R	TRANSISTOR	1	<R>
Q40035	2SB643	TRANSISTOR	1	<R>
Q40036	2SD1862	TRANSISTOR	1	<R>
Q40037	MSB709-R	TRANSISTOR	1	<R>
Q40038,39	2SD602A	TRANSISTOR	2	<R>
Q40040	2SB710A-R	TRANSISTOR	1	<R>
Q40041,42	2SC2405-S	TRANSISTOR	2	<R>
Q40043	2SD1306	TRANSISTOR	1	<R>
Q40044	2SD1149-R	TRANSISTOR	1	<R>
Q40045	MSB709-R	TRANSISTOR	1	<R>
Q40046	2SB710A-R	TRANSISTOR	1	<R>
Q40047	2SD602-R	TRANSISTOR	1	<R>
Q40048	MSD601-R	TRANSISTOR	1	<R>
Q40049	2SD1862	TRANSISTOR	1	<R>
Q40050,51	2SB710A-R	TRANSISTOR	2	<R>
QR40001-03	MRN1403	TRANSISTOR	3	<R>
QR40004	UN2114	TRANSISTOR-RESISTOR	1	<R>
QR40005	MRN1403	TRANSISTOR	1	<R>
QR40006	MRN1404	TRANSISTOR	1	<R>
QR40007	MRN1403	TRANSISTOR	1	<R>
QR40008-10	MRN2403	TRANSISTOR	3	<R>
QR40011	MRN1403	TRANSISTOR	1	<R>
QR40012	MRN1402	TRANSISTOR	1	<R>
QR40013	UN2217	TRANSISTOR-RESISTOR	1	<R>
QR40014	UN2215	TRANSISTOR-RESISTOR	1	<R>
QR40015-17	MRN1403	TRANSISTOR	3	<R>
QR40018	UN2114	TRANSISTOR-RESISTOR	1	<R>
QR40019	MRN1403	TRANSISTOR	1	<R>
QR40020-22	MRN2403	TRANSISTOR	3	<R>
QR40023	MRN1403	TRANSISTOR	1	<R>
QR40024	MRN1402	TRANSISTOR	1	<R>
QR40025	MRN1403	TRANSISTOR	1	<R>
QR40026	UN2215	TRANSISTOR-RESISTOR	1	<R>
QR40027	UN2217	TRANSISTOR-RESISTOR	1	<R>
QR40028	MRN1404	TRANSISTOR	1	<R>
QR40029-32	MRN2404	TRANSISTOR	4	<R>
QR40050-53	MRN1402	TRANSISTOR	4	<R>
R40001-03	ERJ6GEYG472	M.RESISTOR CH 1/10W 4.7K	3	
R40004	ERJ6GEYJ272	M.RESISTOR CH 1/10W 2.7K	1	
R40005	ERJ6GEYG472	M.RESISTOR CH 1/10W 4.7K	1	
R40006	ERJ6GEYJ103	M.RESISTOR CH 1/10W 10K	1	
R40007	ERJ6GEYG472	M.RESISTOR CH 1/10W 4.7K	1	
R40008	ERJ6GEYJ223	M.RESISTOR CH 1/10W 22K	1	

Ref.No.	Part No.	Part Name & Description	Pcs	Remarks	Ref.No.	Part No.	Part Name & Description	Pcs	Remarks
R40009	ERJ66EYJ123	M.RESISTOR CH 1/10W 12K	1		R40093,94	ERJ66EYG472	M.RESISTOR CH 1/10W 4.7K	2	
R40010	ERJ66EYJ154	M.RESISTOR CH 1/10W 150K	1		R40095	ERJ66EYJ103	M.RESISTOR CH 1/10W 10K	1	
R40011,12	ERJ66EYJ682	M.RESISTOR CH 1/10W 6.8K	2		R40096	ERJ66EYG472	M.RESISTOR CH 1/10W 4.7K	1	
R40013	ERJ66EYJ273	M.RESISTOR CH 1/10W 27K	1		R40097	ERJ66EYJ272	M.RESISTOR CH 1/10W 2.7K	1	
R40014	ERJ66EYJ822	M.RESISTOR CH 1/10W 8.2K	1		R40098	ERJ66EYG472	M.RESISTOR CH 1/10W 4.7K	1	
R40015	ERJ66EYJ104	M.RESISTOR CH 1/10W 100K	1		R40099	ERJ66EYJ123	M.RESISTOR CH 1/10W 12K	1	
R40016	ERJ66EYJ333	M.RESISTOR CH 1/10W 33K	1		R40100	ERJ66EYJ223	M.RESISTOR CH 1/10W 22K	1	
R40017	ERJ66EYJ104	M.RESISTOR CH 1/10W 100K	1		R40101	ERJ66EYG472	M.RESISTOR CH 1/10W 4.7K	1	
R40018	ERJ66EYJ102	M.RESISTOR CH 1/10W 1K	1		R40102	ERJ66EYJ154	M.RESISTOR CH 1/10W 150K	1	
R40019	ERJ66EYJ824	M.RESISTOR CH 1/10W 820K	1		R40103	ERJ66EYJ123	M.RESISTOR CH 1/10W 12K	1	
R40020,21	ERJ66EYG472	M.RESISTOR CH 1/10W 4.7K	2		R40104	VRE0034E564	M.RESISTOR CH 1/10W 560K	1	
R40022	ERJ66EYJ822	M.RESISTOR CH 1/10W 8.2K	1		R40105	ERJ66EYJ123	M.RESISTOR CH 1/10W 12K	1	
R40023	ERJ66EYJ562	M.RESISTOR CH 1/10W 5.6K	1		R40106	VRE0034E104	M.RESISTOR CH 1/10W 100K	1	
R40024	ERJ66EYJ182	M.RESISTOR CH 1/10W 1.8K	1		R40107	ERJ66EYJ473	M.RESISTOR CH 1/10W 47K	1	
R40025	ERJ66EYJ184	M.RESISTOR CH 1/10W 180K	1		R40108	ERJ66EYJ222	M.RESISTOR CH 1/10W 2.2K	1	
R40026,27	ERJ66EYJ102	M.RESISTOR CH 1/10W 1K	2		R40109	ERJ66EYJ221	M.RESISTOR CH 1/10W 220	1	
R40028	ERJ66EYJ274	M.RESISTOR CH 1/10W 270K	1		R40110	ERJ66EYJ222	M.RESISTOR CH 1/10W 2.2K	1	
R40029	ERJ66EYJ104	M.RESISTOR CH 1/10W 100K	1		R40111	ERJ66EYJ221	M.RESISTOR CH 1/10W 220	1	
R40030	ERJ66EYJ123	M.RESISTOR CH 1/10W 12K	1		R40112	ERJ66EYJ473	M.RESISTOR CH 1/10W 47K	1	
R40031	VRE0034E564	M.RESISTOR CH 1/10W 560K	1		R40113	ERJ66EYJ561	M.RESISTOR CH 1/10W 560	1	
R40032	ERJ66EYJ123	M.RESISTOR CH 1/10W 12K	1		R40114	ERJ66EYJ393	M.RESISTOR CH 1/10W 39K	1	
R40033	VRE0034E104	M.RESISTOR CH 1/10W 100K	1		R40115	ERJ66EYJ102	M.RESISTOR CH 1/10W 1K	1	
R40034	ERJ66EYJ473	M.RESISTOR CH 1/10W 47K	1		R40116	ERJ66EYJ104	M.RESISTOR CH 1/10W 100K	1	
R40035	ERJ66EYJ222	M.RESISTOR CH 1/10W 2.2K	1		R40117	ERJ66EYJ223	M.RESISTOR CH 1/10W 22K	1	
R40036	ERJ66EYJ221	M.RESISTOR CH 1/10W 220	1		R40118	ERJ66EYJ473	M.RESISTOR CH 1/10W 47K	1	
R40037	ERJ66EYJ222	M.RESISTOR CH 1/10W 2.2K	1		R40119	ERJ66EYJ104	M.RESISTOR CH 1/10W 100K	1	
R40038	ERJ66EYJ221	M.RESISTOR CH 1/10W 220	1		R40120	ERJ66EYJ562	M.RESISTOR CH 1/10W 5.6K	1	
R40039	ERJ66EYJ473	M.RESISTOR CH 1/10W 47K	1		R40121	ERJ66EYJ103	M.RESISTOR CH 1/10W 10K	1	
R40040	ERJ66EYJ561	M.RESISTOR CH 1/10W 560	1		R40122	ERJ66EYJ222	M.RESISTOR CH 1/10W 2.2K	1	
R40041	ERJ66EYJ393	M.RESISTOR CH 1/10W 39K	1		R40123	ERJ66EYG472	M.RESISTOR CH 1/10W 4.7K	1	
R40042	ERJ66EYJ102	M.RESISTOR CH 1/10W 1K	1		R40124	ERJ66EYJ103	M.RESISTOR CH 1/10W 10K	1	
R40043,44	ERJ66EYJ104	M.RESISTOR CH 1/10W 100K	2		R40125	ERJ66EYJ105	M.RESISTOR CH 1/10W 1M	1	
R40045	ERJ66EYJ222	M.RESISTOR CH 1/10W 2.2K	1		R40127	ERJ66EYG472	M.RESISTOR CH 1/10W 4.7K	1	
R40046	ERJ66EYG472	M.RESISTOR CH 1/10W 4.7K	1		R40128	ERJ66EYJ562	M.RESISTOR CH 1/10W 5.6K	1	
R40047	ERJ66EYJ473	M.RESISTOR CH 1/10W 47K	1		R40129	ERJ66EYJ822	M.RESISTOR CH 1/10W 8.2K	1	
R40048	ERJ66EYJ223	M.RESISTOR CH 1/10W 22K	1		R40130	ERJ66EYJ682	M.RESISTOR CH 1/10W 6.8K	1	
R40049	ERJ66EYJ562	M.RESISTOR CH 1/10W 5.6K	1		R40131	ERJ66EYJ273	M.RESISTOR CH 1/10W 27K	1	
R40050,51	ERJ66EYJ103	M.RESISTOR CH 1/10W 10K	2		R40132	ERJ66EYJ682	M.RESISTOR CH 1/10W 6.8K	1	
R40052	ERJ66EYJ105	M.RESISTOR CH 1/10W 1M	1		R40133	ERJ66EYJ333	M.RESISTOR CH 1/10W 33K	1	
R40053	ERJ66EYJ103	M.RESISTOR CH 1/10W 10K	1		R40134	ERJ66EYJ104	M.RESISTOR CH 1/10W 100K	1	
R40054	ERJ66EYJ473	M.RESISTOR CH 1/10W 47K	1		R40135	ERJ66EYJ822	M.RESISTOR CH 1/10W 8.2K	1	
R40055	ERJ66EYJ332	M.RESISTOR CH 1/10W 3.3K	1		R40136	ERJ66EYJ104	M.RESISTOR CH 1/10W 100K	1	
R40056	ERJ66EYJ181	M.RESISTOR CH 1/10W 180	1		R40137	ERJ66EYJ102	M.RESISTOR CH 1/10W 1K	1	
R40057	ERJ66EYJ102	M.RESISTOR CH 1/10W 1K	1		R40138	ERJ66EYJ824	M.RESISTOR CH 1/10W 820K	1	
R40058	ERJ66EYG472	M.RESISTOR CH 1/10W 4.7K	1		R40139	ERJ66EYG472	M.RESISTOR CH 1/10W 4.7K	1	
R40059	ERJ66EYJ333	M.RESISTOR CH 1/10W 33K	1		R40140	ERJ66EYJ182	M.RESISTOR CH 1/10W 1.8K	1	
R40060	ERJ66EYJ103	M.RESISTOR CH 1/10W 10K	1		R40141	ERJ66EYJ102	M.RESISTOR CH 1/10W 1K	1	
R40061	ERJ66EYJ223	M.RESISTOR CH 1/10W 22K	1		R40142	ERJ66EYJ184	M.RESISTOR CH 1/10W 180K	1	
R40062	ERJ66EYJ564	M.RESISTOR CH 1/10W 560K	1		R40143	ERJ66EYJ102	M.RESISTOR CH 1/10W 1K	1	
R40063	ERJ14YJ330	M.RESISTOR CH 1/4W 33	1		R40144	ERJ66EYJ274	M.RESISTOR CH 1/10W 270K	1	
R40064	ERJ66EYJ681	M.RESISTOR CH 1/10W 680	1		R40145	ERJ66EYJ104	M.RESISTOR CH 1/10W 100K	1	
R40065	ERJ66EYG472	M.RESISTOR CH 1/10W 4.7K	1		R40146	ERJ66EYJ473	M.RESISTOR CH 1/10W 47K	1	
R40066	ERJ66EYJ682	M.RESISTOR CH 1/10W 6.8K	1		R40147	ERJ66EYJ332	M.RESISTOR CH 1/10W 3.3K	1	
R40067	ERJ66EYJ102	M.RESISTOR CH 1/10W 1K	1		R40148	ERJ66EYJ181	M.RESISTOR CH 1/10W 180	1	
R40068	ERJ66EYJ183	M.RESISTOR CH 1/10W 18K	1		R40149	ERJ66EYJ102	M.RESISTOR CH 1/10W 1K	1	
R40069	ERJ66EYJ104	M.RESISTOR CH 1/10W 100K	1		R40150	ERJ66EYJ333	M.RESISTOR CH 1/10W 33K	1	
R40070	ERJ66EYJ823	M.RESISTOR CH 1/10W 82K	1		R40151	ERJ66EYG472	M.RESISTOR CH 1/10W 4.7K	1	
R40071	ERJ66EYJ273	M.RESISTOR CH 1/10W 27K	1		R40152	ERJ66EYJ103	M.RESISTOR CH 1/10W 10K	1	
R40072	ERJ66EYJ820	M.RESISTOR CH 1/10W 82	1		R40153	ERJ66EYJ223	M.RESISTOR CH 1/10W 22K	1	
R40073	ERJ66EYJ182	M.RESISTOR CH 1/10W 1.8K	1		R40154	ERJ66EYJ564	M.RESISTOR CH 1/10W 560K	1	
R40074	ERJ66EYJ223	M.RESISTOR CH 1/10W 22K	1		R40155	ERJ66EYJ820	M.RESISTOR CH 1/10W 82	1	
R40075	ERJ66EYJ682	M.RESISTOR CH 1/10W 6.8K	1		R40156	ERJ66EYJ0R00	M.RESISTOR CH 1/10W 0	1	
R40076	ERDS1TJ100	C.RESISTOR 1/2W 10	1		R40157	ERJ66EYJ182	M.RESISTOR CH 1/10W 1.8K	1	
R40077	ERJ66EYJ562	M.RESISTOR CH 1/10W 5.6K	1		R40158	ERJ66EYJ104	M.RESISTOR CH 1/10W 100K	1	
R40078	ERJ66EYJ102	M.RESISTOR CH 1/10W 1K	1		R40159	ERJ66EYJ273	M.RESISTOR CH 1/10W 27K	1	
R40079-81	ERJ66EYG472	M.RESISTOR CH 1/10W 4.7K	3		R40160	ERJ66EYJ823	M.RESISTOR CH 1/10W 82K	1	
R40082	ERJ66EYJ155	M.RESISTOR CH 1/16W 1.5M	1		R40161-63	ERJ66EYJ103	M.RESISTOR CH 1/10W 10K	3	
R40083	ERJ66EYJ392	M.RESISTOR CH 1/10W 3.9K	1		R40164	ERJ66EYJ155	M.RESISTOR CH 1/16W 1.5M	1	
R40084	ERJ66EYJ821	M.RESISTOR CH 1/10W 820	1		R40165	ERJ66EYJ821	M.RESISTOR CH 1/10W 820	1	
R40085	ERJ66EYJ155	M.RESISTOR CH 1/16W 1.5M	1		R40166	ERJ66EYJ392	M.RESISTOR CH 1/10W 3.9K	1	
R40086,87	ERJ66EYJ103	M.RESISTOR CH 1/10W 10K	2		R40167	ERJ66EYJ155	M.RESISTOR CH 1/16W 1.5M	1	
R40088	ERJ14YJ220	M.RESISTOR CH 1/4W 22K	1		R40168	ERJ14YJ330	M.RESISTOR CH 1/4W 33	1	
R40089	ERJ66EYJ333	M.RESISTOR CH 1/10W 33K	1		R40169	ERJ66EYJ681	M.RESISTOR CH 1/10W 680	1	
R40090	ERJ66EYJ123	M.RESISTOR CH 1/10W 12K	1		R40170	ERJ66EYG472	M.RESISTOR CH 1/10W 4.7K	1	
R40091,92	ERJ66EYJ562	M.RESISTOR CH 1/10W 5.6K	2		R40171	ERJ66EYJ102	M.RESISTOR CH 1/10W 1K	1	

Ref.No.	Part No.	Part Name & Description	Pcs	Remarks	Ref.No.	Part No.	Part Name & Description	Pcs	Remarks
R40172	ERJ6G6YJ682	M.RESISTOR CH 1/10W 6.8K	1				MISCELLANEOUS		
R40173	ERJ6G6YJ223	M.RESISTOR CH 1/10W 22K	1		E67	VSC3967	SHIELD CASE	1	
R40174	ERJ6G6YJ682	M.RESISTOR CH 1/10W 6.8K	1		E68	VSC3968	SHIELD CASE (MIDDLE)	1	
R40175	ERDS1TJ100	C.RESISTOR 1/2W 10	1		E69	VSC3969	SHIELD CASE (LOWER)	1	
R40176	ERJ6G6YJ562	M.RESISTOR CH 1/10W 5.6K	1		E71	VSC3971	SHIELD CASE (MIDDLE)	1	
R40177	ERJ6G6YJ102	M.RESISTOR CH 1/10W 1K	1		E72	VSC3972	SHIELD CASE (LOWER,BIAS)	1	
R40178-80	ERJ6G6YG472	M.RESISTOR CH 1/10W 4.7K	3						
R40181	ERJ6G6YJ563	M.RESISTOR CH 1/10W 56K	1						
R40182	ERJ6G6YJ104	M.RESISTOR CH 1/10W 100K	1						
R40183	ERJ6G6YJ154	M.RESISTOR CH 1/10W 150K	1						
R40184	ERJ6G6YJ152	M.RESISTOR CH 1/10W 1.5K	1						
R40185	ERJ6G6YJ151	M.RESISTOR CH 1/10W 150	1						
R40186	ERJ6G6YJ471	M.RESISTOR CH 1/10W 470	1						
R40187,88	ERJ6G6YJ103	M.RESISTOR CH 1/10W 10K	2						
R40189	ERJ6G6YJ104	M.RESISTOR CH 1/10W 100K	1						
R40190	ERJ6G6YJ103	M.RESISTOR CH 1/10W 10K	1						
R40191	ERJ6G6YJ222	M.RESISTOR CH 1/10W 2.2K	1						
R40192-99	ERJ6G6YJ103	M.RESISTOR CH 1/10W 10K	8						
R40200	ERJ6G6YJ102	M.RESISTOR CH 1/10W 1K	1						
R40201	ERJ6G6YJ223	M.RESISTOR CH 1/10W 22K	1						
R40202	ERJ6G6YJ563	M.RESISTOR CH 1/10W 56K	1						
R40203	ERJ6G6YG472	M.RESISTOR CH 1/10W 4.7K	1						
R40204	ERJ6G6YJ560	M.RESISTOR CH 1/10W 56	1						
R40205	ERJ6G6YJ222	M.RESISTOR CH 1/10W 2.2K	1						
R40206	ERJ6G6YJ561	M.RESISTOR CH 1/10W 560	1						
R40207,08	ERJ6G6YJ102	M.RESISTOR CH 1/10W 1K	2						
R40209,10	ERJ6G6YJ104	M.RESISTOR CH 1/10W 100K	2						
R40211	ERJ6G6YJ103	M.RESISTOR CH 1/10W 10K	1						
R40212-15	ERJ6G6YJ102	M.RESISTOR CH 1/10W 1K	4						
R40216,17	ERJ6G6YJ104	M.RESISTOR CH 1/10W 100K	2						
R40218	ERJ6G6YJ102	M.RESISTOR CH 1/10W 1K	1						
R40219,20	ERJ6G6YJ103	M.RESISTOR CH 1/10W 10K	2						
R40221	ERJ6G6YJ102	M.RESISTOR CH 1/10W 1K	1						
R40222	ERJ6G6YJ104	M.RESISTOR CH 1/10W 100K	1						
R40223	ERJ6G6YJ102	M.RESISTOR CH 1/10W 1K	1						
R40224-28	ERJ6G6YJ103	M.RESISTOR CH 1/10W 10K	5						
R40229	ERJ6G6YJ151	M.RESISTOR CH 1/10W 150	1						
R40230	ERJ6G6YJ102	M.RESISTOR CH 1/10W 1K	1						
R40231,32	ERJ6G6YJ104	M.RESISTOR CH 1/10W 100K	2						
R40233	ERJ6G6YJ103	M.RESISTOR CH 1/10W 10K	1						
R40234	ERJ6G6YJ104	M.RESISTOR CH 1/10W 100K	1						
R40235,36	ERJ6G6YJ102	M.RESISTOR CH 1/10W 1K	2						
R40237	ERJ6G6YJ103	M.RESISTOR CH 1/10W 10K	1						
R40240,41	ERJ6G6YJ104	M.RESISTOR CH 1/10W 100K	2						
R40242-46	ERJ6G6YJ223	M.RESISTOR CH 1/10W 22K	5						
R40250	ERJ6G6YJ103	M.RESISTOR CH 1/10W 10K	1						
R40251	ERJ6G6YG472	M.RESISTOR CH 1/10W 4.7K	1						
R40252,53	ERJ6G6YJ103	M.RESISTOR CH 1/10W 10K	2						
R40254	ERJ6G6YJ183	M.RESISTOR CH 1/10W 18K	1						
R40255	ERJ6G6YG333	M.RESISTOR CH 1/10W 33K	1						
R40256	ERJ6G6YG472	M.RESISTOR CH 1/10W 4.7K	1						
RY40001,02	VSY2074	RELAY	2						
TL40001	VLT0146	TRANSFORMER	1						
TL40002	VLT0143	TRANSFORMER	1						
TL40003,04	VLT0145	TRANSFORMER	2						
TL40005	VLT0146	TRANSFORMER	1						
VR40002,03	EVN32CA00B23	V.RESISTOR 2K	2						
VR40004	EVN32CA00B15	V.RESISTOR 100K	1						
VR40005	EVN32CA00B53	V.RESISTOR 5K	1						
VR40007,08	EVN32CA00B23	V.RESISTOR 2K	2						
VR40009	EVN32CA00B15	V.RESISTOR 100K	1						
VR40010	EVN32CA00B53	V.RESISTOR 5K	1						
VR40011,12	EVN32CA00B23	V.RESISTOR 2K	2						

Ref.No.	Part No.	Part Name & Description	Pcs	Remarks	Ref.No.	Part No.	Part Name & Description	Pcs	Remarks
	VEP04420D	P.C. BOARD W/COMPONENT AUDIO (1)		AG-8600E					
C40001	ECEA1CGE471	E.CAPACITOR 16V 470U	1		C40140,41	ECEA1CGE101	E.CAPACITOR 16V 100U	2	
C40003	ECEA1CGE101	E.CAPACITOR 16V 100U	1		C40142	ECEA1HGE220	E.CAPACITOR 50V 22U	1	
C40005	ERJ6GEYOR00	M.RESISTOR CH 1/10W 0	1		C40143	ECEA1CGE101	E.CAPACITOR 16V 100U	1	
C40009	ECEA1HGE100	E.CAPACITOR 50V 10U	1		C40144	ECUM1H103KBN	C.CAPACITOR CH 50V 0.01U	1	
C40010	ECEA1CN100S	E.CAPACITOR 16V 10U	1		C40145	ECEA1VGE330	E.CAPACITOR 50V 33U	1	
C40011	ECEA1HGE100	E.CAPACITOR 50V 10U	1		C40146	ECQB1H104JF	P.CAPACITOR 50V 0.1U	1	
C40014	ECEAOJGE221	E.CAPACITOR 6.3V 220U	1		C40147	ECEA1VGE330	E.CAPACITOR 50V 33U	1	
C40015	ECEA1CGE221	E.CAPACITOR 16V 220U	1		C40148	ECUM1H330JCN	C.CAPACITOR CH 50V 33P	1	
C40016	ECQV1H334JZ	P.CAPACITOR 50V 0.33U	1		C40149	ECEA1HGE010	E.CAPACITOR 50V 1U	1	
C40017	ECQB1H104JF	P.CAPACITOR 50V 0.1U	1		C40150	ECUM1H102KBN	C.CAPACITOR CH 50V 1000P	1	
C40018	ECEA1HGE100	E.CAPACITOR 50V 10U	1		C40151	ECEA1VGE330	E.CAPACITOR 50V 33U	1	
C40019	ECEA1CGE101	E.CAPACITOR 16V 100U	1		C40152	ECEA1CGE101	E.CAPACITOR 16V 100U	1	
C40020	ECQB1H473JF	P.CAPACITOR 50V 0.047U	1		C40153	ECUM1H102KBN	C.CAPACITOR CH 50V 1000P	1	
C40029	ECSF1EE336	E.CAPACITOR 25V 33U	1		C40154	ECEA1CGE101	E.CAPACITOR 16V 100U	1	
C40030	ECUM1H182KBN	C.CAPACITOR CH 50V 1800P	1		C40155	ECEA1HGE100	E.CAPACITOR 50V 10U	1	
C40031,32	ECSF1CE106	T.CAPACITOR 16V 22U	2		C40156-59	ECUM1H103KBN	C.CAPACITOR CH 50V 0.01U	3	
C40033	ECSF1EE106	T.CAPACITOR 25V 10U	1						
C40034	ECSF1HE105	E.CAPACITOR 50V 1U	1						
C40035	ECUM1H102KBN	C.CAPACITOR CH 50V 1000P	1		D40002	MA151K	DIODE	1	<R>
C40036	ECSF1CE336	T.CAPACITOR 16V 33U	1		D40004	MA151K	DIODE	1	<R>
C40037	ECQB1H823JF	P.CAPACITOR 50V 0.082U	1		D40007	MA151K	DIODE	1	<R>
C40038	ECUM1H101JCN	C.CAPACITOR CH 50V 100P	1		D40010	MA151K	DIODE	1	<R>
C40039	ECEA1HGE4R7	E.CAPACITOR 50V 4.7U	1		D40014,15	MA151K	DIODE	2	<R>
C40040	ECEA1HGE2R2	E.CAPACITOR 50V 2.2U	1		D40016	MA151K	DIODE	1	<R>
C40041,42	ECUM1H223KBN	C.CAPACITOR 50V 0.022U	2		D40017	MA151K	DIODE	1	<R>
C40043	ECEA1HGE100	E.CAPACITOR 50V 10U	1		D40018	MA723	DIODE	1	<R>
C40044	ECQB1H472JF	P.CAPACITOR 50V 4700P	1		D40019	MA165VT	DIODE	1	<R>
C40045	ECQB1H273JF	P.CAPACITOR 50V 0.027U	1						
C40046	ECEA1HGE100	E.CAPACITOR 50V 10U	1		FL40001,02	VLF0402	FILTER	2	
C40047	ECUM1H102KBN	C.CAPACITOR CH 50V 1000P	1						
C40048	ECQB1H562JF	P.CAPACITOR 50V 5600P	1		IC40001	HA12005	IC	1	<R>
C40049	ECEA1HGE010	E.CAPACITOR 50V 1U	1		IC40002	NE646N	IC	1	<R>
C40050	ECQB1H472JF	P.CAPACITOR 50V 4700P	1		IC40003	HA12005	IC	1	<R>
C40052	ECEA1HGE100	E.CAPACITOR 50V 10U	1		IC40004	NE646N	IC	1	<R>
C40073	ECEA1CGE471	E.CAPACITOR 16V 470U	1		IC40006,07	MN1280R	IC	2	<R>
C40074	ECEA1CGE101	E.CAPACITOR 16V 100U	1		IC40008	AN360	IC	1	<R>
C40077	ECUM1H182KBN	C.CAPACITOR CH 50V 1800P	1		IC40009	MC14053BF	IC	1	<R>
C40078	ECSF1EE336	E.CAPACITOR 25V 33U	1		IC40010-12	MC74HC595AF	IC	3	<R>
C40079,80	ECSF1CE106	T.CAPACITOR 16V 22U	2		IC40013-15	TD62503F	IC	3	<R>
C40081	ECSF1EE106	T.CAPACITOR 25V 10U	1		IC40021	TC7S32F	IC	1	<R>
C40082	ECSF1HE105	E.CAPACITOR 50V 1U	1						
C40083	ECUM1H102KBN	C.CAPACITOR CH 50V 1000P	1		J40005	ERJ6GEYOR00	M.RESISTOR CH 1/10W 0	1	
C40084	ECSF1CE336	T.CAPACITOR 16V 33U	1		J40008,09	ERJ6GEYOR00	M.RESISTOR CH 1/10W 0	2	
C40085	ECQB1H823JF	P.CAPACITOR 50V 0.082U	1		J40020	ERJ6GEYOR00	M.RESISTOR CH 1/10W 0	1	
C40086	ECEA1HGE4R7	E.CAPACITOR 50V 4.7U	1						
C40087	ECUM1H101JCN	C.CAPACITOR CH 50V 100P	1		L40008,09	VLQEL06F102K	COIL 1000UH	2	
C40088	ECEA1HGE2R2	E.CAPACITOR 50V 2.2U	1						
C40091	ECUM1H223KBN	C.CAPACITOR 50V 0.022U	1		P40002	VJP1230R	CONNECTOR (MALE) 3P	1	
C40092,93	ECEA1HGE100	E.CAPACITOR 50V 10U	2		P40003	VJP1230T	CONNECTOR (MALE) 3P	1	
C40094	ECUM1H223KBN	C.CAPACITOR 50V 0.022U	1		P40004	VJP3176B064	CONNECTOR (MALE) 64P	1	
C40095	ECEA1HGE100	E.CAPACITOR 50V 10U	1						
C40096	ECEA1CN100S	E.CAPACITOR 16V 10U	1		Q40008	2SD636	TRANSISTOR	1	<R>
C40100	ERJ6GEYOR00	M.RESISTOR CH 1/10W 0	1		Q40022,23	2SC2405-S	TRANSISTOR	2	<R>
C40103	ECEAOJGE221	E.CAPACITOR 6.3V 220U	1		Q40024	2SD1306	TRANSISTOR	1	<R>
C40104	ECQV1H334JZ	P.CAPACITOR 50V 0.33U	1		Q40032	2SD636	TRANSISTOR	1	<R>
C40105	ECQB1H104JF	P.CAPACITOR 50V 0.1U	1		Q40041,42	2SC2405-S	TRANSISTOR	2	<R>
C40106	ECEA1HGE100	E.CAPACITOR 50V 10U	1		Q40043	2SD1306	TRANSISTOR	1	<R>
C40107	ECQB1H473JF	P.CAPACITOR 50V 0.047U	1		Q40045	MSB709-R	TRANSISTOR	1	<R>
C40108	ECEA1CGE101	E.CAPACITOR 16V 100U	1		Q40046	2SB710A-R	TRANSISTOR	1	<R>
C40109	ECEA1CGE221	E.CAPACITOR 16V 220U	1						
C40110	ECEA1HGE100	E.CAPACITOR 50V 10U	1						
C40111	ECQB1H273JF	P.CAPACITOR 50V 0.027U	1						
C40112	ECUM1H102KBN	C.CAPACITOR CH 50V 1000P	1						
C40113	ECQB1H472JF	P.CAPACITOR 50V 4700P	1						
C40114	ECQB1H562JF	P.CAPACITOR 50V 5600P	1						
C40115	ECEA1HGE010	E.CAPACITOR 50V 1U	1						
C40116	ECQB1H472JF	P.CAPACITOR 50V 4700P	1						
C40117	ECEA1HGE100	E.CAPACITOR 50V 10U	1						
C40139	ECEA1CGE471	E.CAPACITOR 16V 470U	1						





Ref.No.	Part No.	Part Name & Description	Pcs	Remarks	Ref.No.	Part No.	Part Name & Description	Pcs	Remarks
Q41001	2SB709A-R	TRANSISTOR	1	<R>	R41027	ERJ6GEYJ102	M.RESISTOR CH 1/10W 1K	1	
Q41002,03	2SD1306	TRANSISTOR	2	<R>	R41028,29	ERJ6GEYJ473	M.RESISTOR CH 1/10W 47K	2	
Q41004	2SD636-R	TRANSISTOR	1	<R>	R41030	ERJ6GEYJ102	M.RESISTOR CH 1/10W 1K	1	
Q41005	XN1501	TRANSISTOR-TRANSISTOR	1	<R>	R41031	ERJ6GEYJ823	M.RESISTOR CH 1/10W 82K	1	
Q41006,07	MSD601-R	TRANSISTOR	2	<R>	R41032	ERJ6GEYJ182	M.RESISTOR CH 1/10W 1.8K	1	
Q41008	2SD1306	TRANSISTOR	1	<R>	R41033,34	ERJ6GEYJ152	M.RESISTOR CH 1/10W 1.5K	2	
Q41009	2SD638	TRANSISTOR	1	<R>	R41035	ERJ6GEYJ182	M.RESISTOR CH 1/10W 1.8K	1	
Q41010	2SB643	TRANSISTOR	1	<R>	R41036,37	ERJ6GEYJ562	M.RESISTOR CH 1/10W 5.6K	2	
Q41011	2SD1306	TRANSISTOR	1	<R>	R41038	ERJ6GEYJ181	M.RESISTOR CH 1/10W 180	1	
Q41012-14	MSD601-R	TRANSISTOR	3	<R>	R41039	ERJ6GEYJ103	M.RESISTOR CH 1/10W 10K	1	
Q41015	2SD1328-R	TRANSISTOR	1	<R>	R41040	ERJ6GEYJ303	M.RESISTOR CH 1/10W 30K	1	
Q41016	2SD602A	TRANSISTOR	1	<R>	R41041	ERJ6GEYJ104	M.RESISTOR CH 1/10W 100K	1	
Q41017,18	2SD1306	TRANSISTOR	2	<R>	R41042	ERJ6GEYJ562	M.RESISTOR CH 1/10W 5.6K	1	
Q41019	2SC2404	TRANSISTOR	1	<R>	R41043	ERJ6GEYJ183	M.RESISTOR CH 1/10W 18K	1	
Q41020	MSC2295-B	TRANSISTOR	1	<R>	R41044	VRE0034E103	M.RESISTOR CH 1/10W 10K	1	
Q41021	MSD601-R	TRANSISTOR	1	<R>	R41045	VRE0034E112	M.RESISTOR CH 1/10W 1.1K	1	
Q41022-24	2SD602A-R	TRANSISTOR	3	<R>	R41046	ERJ6GEYJ681	M.RESISTOR CH 1/10W 680	1	
Q41025	2SB644	TRANSISTOR	1	<R>	R41047,48	ERJ6GEYJ821	M.RESISTOR CH 1/10W 820	2	
Q41026	2SD639	TRANSISTOR	1	<R>	R41049	ERJ6GEYJ104	M.RESISTOR CH 1/10W 100K	1	
Q41027	2SC2404	TRANSISTOR	1	<R>	R41050	ERJ6GEYJ182	M.RESISTOR CH 1/10W 1.8K	1	
Q41028	MSD601-R	TRANSISTOR	1	<R>	R41051	ERJ6GEYJ821	M.RESISTOR CH 1/10W 820	1	
Q41029,30	2SD602A-R	TRANSISTOR	2	<R>	R41052	ERJ6GEYJ330	M.RESISTOR CH 1/10W 33	1	
Q41031	2SB644	TRANSISTOR	1	<R>	R41053	ERJ6GEYJ102	M.RESISTOR CH 1/10W 1K	1	
Q41032	2SD639	TRANSISTOR	1	<R>	R41054,55	ERJ6GEYJ223	M.RESISTOR CH 1/10W 22K	2	
Q41033	2SC2404	TRANSISTOR	1	<R>	R41057	ERJ6GEYJ332	M.RESISTOR CH 1/10W 3.3K	1	
Q41034	2SD602A-R	TRANSISTOR	1	<R>	R41058	ERJ6GEYJ222	M.RESISTOR CH 1/10W 2.2K	1	
Q41035	2SB793	TRANSISTOR	1	<R>	R41059	ERJ6GEYJ822	M.RESISTOR CH 1/10W 8.2K	1	
Q41036	2SB710	TRANSISTOR	1	<R>	R41062	ERJ6GEYJ392	M.RESISTOR CH 1/10W 3.9K	1	
Q41037	2SD1306	TRANSISTOR	1	<R>	R41063	ERJ6GEYJ332	M.RESISTOR CH 1/10W 3.3K	1	
Q41038,39	2SD1328-R	TRANSISTOR	2	<R>	R41064	ERJ6GEYJ392	M.RESISTOR CH 1/10W 3.9K	1	
Q41040	2SD1306	TRANSISTOR	1	<R>	R41065	ERJ6GEYJ332	M.RESISTOR CH 1/10W 3.3K	1	
Q41041,42	2SD1328-R	TRANSISTOR	2	<R>	R41066-71	ERJ6GEYJ103	M.RESISTOR CH 1/10W 10K	6	
Q41043	2SD1306	TRANSISTOR	1	<R>	R41072,73	ERJ6GEYJ561	M.RESISTOR CH 1/10W 560	2	
Q41044,45	2SD1328-R	TRANSISTOR	2	<R>	R41074	ERJ6GEYJ103	M.RESISTOR CH 1/10W 10K	1	
Q41046	2SD1306	TRANSISTOR	1	<R>	R41075,76	ERJ6GEYJ331	M.RESISTOR CH 1/10W 330	2	
Q41047,48	2SD1328-R	TRANSISTOR	2	<R>	R41077	ERJ6GEYJ102	M.RESISTOR CH 1/10W 1K	1	
Q41049	2SD601	TRANSISTOR	1	<R>	R41078	ERJ6GEYJ103	M.RESISTOR CH 1/10W 10K	1	
Q41050	2SD973	TRANSISTOR	1	<R>	R41079	ERJ6GEYJ562	M.RESISTOR CH 1/10W 5.6K	1	
Q41051,52	2SD1306	TRANSISTOR	2	<R>	R41080	ERJ6GEYJ103	M.RESISTOR CH 1/10W 10K	1	
Q41053	2SB709A-R	TRANSISTOR	1	<R>	R41081	ERJ6GEYJ105	M.RESISTOR CH 1/10W 1M	1	
Q41110,11	2SC1740SX	TRANSISTOR	2	<R>	R41082	ERJ6GEYJ102	M.RESISTOR CH 1/10W 1K	1	
					R41083,84	ERJ6GEYJ103	M.RESISTOR CH 1/10W 10K	2	
					R41085	ERJ6GEYJ222	M.RESISTOR CH 1/10W 2.2K	1	
					R41086	ERJ6GEYJ104	M.RESISTOR CH 1/10W 100K	1	
					R41087	ERJ6GEYJ102	M.RESISTOR CH 1/10W 1K	1	
					R41088	ERJ6GEYJ182	M.RESISTOR CH 1/10W 1.8K	1	
QR41002,03	MRN2403	TRANSISTOR	2	<R>	R41089	ERJ6GEYJ272	M.RESISTOR CH 1/10W 2.7K	1	
QR41004,05	MRN1403	TRANSISTOR	2	<R>	R41090	ERJ6GEYJ103	M.RESISTOR CH 1/10W 10K	1	
QR41006,07	MRN1404	TRANSISTOR	2	<R>	R41091-94	ERJ6GEYJ102	M.RESISTOR CH 1/10W 1K	4	
QR41008	MRN1403	TRANSISTOR	1	<R>	R41095	ERJ6GEYJ102	M.RESISTOR CH 1/10W 1K	1	
QR41009	MRN2404	TRANSISTOR	1	<R>	R41096	ERJ6GEYJ103	M.RESISTOR CH 1/10W 10K	1	
QR41010,11	MRN1404	TRANSISTOR	2	<R>	R41097	ERJ6GEYJ680	M.RESISTOR CH 1/10W 68	1	
QR41012	MRN1402	TRANSISTOR	1	<R>	R41098	ERJ6GEYJ104	M.RESISTOR CH 1/10W 100K	1	
					R41099	ERJ6GEYJ102	M.RESISTOR CH 1/10W 1K	1	
					R41100	VRE0034E302	M.RESISTOR CH 1/10W 3K	1	
R41001,02	ERJ6GEYJ562	M.RESISTOR CH 1/10W 5.6K	2		R41101	ERJ6GEYJ562	M.RESISTOR CH 1/10W 5.6K	1	
R41003,04	ERJ6GEYJ102	M.RESISTOR CH 1/10W 1K	2		R41102	ERJ6GEYJ103	M.RESISTOR CH 1/10W 10K	1	
R41005,06	ERJ6GEYJ473	M.RESISTOR CH 1/10W 47K	2		R41103	ERJ6GEYJ473	M.RESISTOR CH 1/10W 47K	1	
R41007	ERJ6GEYJ225	M.RESISTOR CH 1/10W 2.2M	1		R41104	ERJ6GEYJ102	M.RESISTOR CH 1/10W 1K	1	
R41008,09	ERJ6GEYJ331	M.RESISTOR CH 1/10W 330	2		R41105,06	ERJ6GEYJ103	M.RESISTOR CH 1/10W 10K	2	
R41010,11	ERJ6GEYJ821	M.RESISTOR CH 1/10W 820	2		R41107,08	ERJ6GEYJ104	M.RESISTOR CH 1/10W 100K	2	
R41012	ERJ6GEYJ681	M.RESISTOR CH 1/10W 680	1		R41109-11	ERJ6GEYJ103	M.RESISTOR CH 1/10W 10K	3	
R41013	VRE0034E112	M.RESISTOR CH 1/10W 1.1K	1		R41112	ERJ6GEYJ222	M.RESISTOR CH 1/10W 2.2K	1	
R41014	VRE0034E103	M.RESISTOR CH 1/10W 10K	1		R41113	ERJ6GEYJ334	M.RESISTOR CH 1/10W 330K	1	
R41015	ERJ6GEYJ183	M.RESISTOR CH 1/10W 18K	1		R41115	ERJ6GEYJ103	M.RESISTOR CH 1/10W 10K	1	
R41016	ERJ6GEYJ562	M.RESISTOR CH 1/10W 5.6K	1		R41116	ERJ6GEYJ221	M.RESISTOR CH 1/10W 220	1	
R41017	ERJ6GEYJ104	M.RESISTOR CH 1/10W 100K	1		R41117	ERJ6GEYJ223	M.RESISTOR CH 1/10W 22K	1	
R41018	ERJ6GEYJ303	M.RESISTOR CH 1/10W 30K	1		R41118	ERJ6GEYJ102	M.RESISTOR CH 1/10W 1K	1	
R41019	ERJ6GEYJ123	M.RESISTOR CH 1/10W 12K	1		R41119	ERJ6GEYJ103	M.RESISTOR CH 1/10W 10K	1	
R41020	ERJ6GEYJ102	M.RESISTOR CH 1/10W 1K	1		R41120	ERJ6GEYJ102	M.RESISTOR CH 1/10W 1K	1	
R41021	VRE0034E393	M.RESISTOR CH 1/10W 39K	1		R41121	ERJ6GEYJ103	M.RESISTOR CH 1/10W 10K	1	
R41022	ERJ6GEYJ102	M.RESISTOR CH 1/10W 1K	1		R41122	ERJ6GEYJ391	M.RESISTOR CH 1/10W 390	1	
R41023,24	VRE0034E223	M.RESISTOR CH 1/10W 22K	2		R41123	ERJ6GEYJ472	M.RESISTOR CH 1/10W 4.7K	1	
R41025	ERJ6GEYJ163	M.RESISTOR CH 1/10W 16K	1		R41124	ERJ6GEYJ123	M.RESISTOR CH 1/10W 12K	1	
R41026	ERJ6GEYJ105	M.RESISTOR CH 1/10W 1M	1		R41125	ERJ6GEYJ472	M.RESISTOR CH 1/10W 4.7K	1	



Ref.No.	Part No.	Part Name & Description	Pcs	Remarks	Ref.No.	Part No.	Part Name & Description	Pcs	Remarks
R41126	ERJ6GEYJ23	M.RESISTOR CH 1/10W 12K	1		R41218	ERJ6GEYG472	M.RESISTOR CH 1/10W 4.7K	1	
R41127,28	ERJ6GEYJ470	M.RESISTOR CH 1/10W 47	2		R41219	ERJ6GEYJ103	M.RESISTOR CH 1/10W 10K	1	
R41129	ERJ6GEYJ561	M.RESISTOR CH 1/10W 560	1		R41220	ERJ6GEYJ152	M.RESISTOR CH 1/10W 1.5K	1	
R41130	ERJ6GEYJ102	M.RESISTOR CH 1/10W 1K	1		R41221	ERJ6GEYG222	M.RESISTOR CH 1/10W 2.2K	1	
R41131	ERJ6GEYJ103	M.RESISTOR CH 1/10W 10K	1		R41222	ERJ6GEYG152	M.RESISTOR CH 1/10W 1.5K	1	
R41132,33	ERJ6GEYJ470	M.RESISTOR CH 1/10W 47	2		R41223	ERJ6GEYG222	M.RESISTOR CH 1/10W 2.2K	1	
R41134	ERJ6GEYJ561	M.RESISTOR CH 1/10W 560	1		R41224	ERJ6GEYG152	M.RESISTOR CH 1/10W 1.5K	1	
R41135	ERJ6GEYJ102	M.RESISTOR CH 1/10W 1K	1		R41226	ERJ6GEYJ682	M.RESISTOR CH 1/10W 6.8K	1	
R41136	ERJ6GEYJ103	M.RESISTOR CH 1/10W 10K	1		R41227-29	ERJ6GEYJ103	M.RESISTOR CH 1/10W 10K	3	
R41137	ERJ6GEYK1R0	M.RESISTOR CH 1/16W 1.0	1		R41230	ERJ6GEYJ681	M.RESISTOR CH 1/10W 680	1	
R41138	ERJ6GEYJ223	M.RESISTOR CH 1/10W 22K	1		R41231	ERJ6GEYJ273	M.RESISTOR CH 1/10W 27K	1	
R41139	ERJ6GEYG333	M.RESISTOR CH 1/10W 33K	1		R41232	ERJ6GEYJ104	M.RESISTOR CH 1/10W 100K	1	
R41140	ERJ6GEYJ103	M.RESISTOR CH 1/10W 10K	1		R41233,34	ERJ6GEYJ103	M.RESISTOR CH 1/10W 10K	2	
R41141	ERJ6GEYJ272	M.RESISTOR CH 1/10W 2.7K	1		R41235	ERJ6GEYJ563	M.RESISTOR CH 1/10W 56K	1	
R41142	ERJ6GEYJ123	M.RESISTOR CH 1/10W 12K	1		R41236,37	ERJ6GEYJ103	M.RESISTOR CH 1/10W 10K	2	
R41143	ERJ6GEYJ223	M.RESISTOR CH 1/10W 22K	1		R41252,53	ERJ6GEYJ273	M.RESISTOR CH 1/10W 27K	2	
R41144	ERJ6GEYG153	M.RESISTOR CH 1/10W 15K	1		R41254	ERJ6GEYJ821	M.RESISTOR CH 1/10W 820	1	
R41145	ERJ6GEYJ102	M.RESISTOR CH 1/10W 1K	1		R41255	ERJ6GEYJ181	M.RESISTOR CH 1/10W 180	1	
R41146	ERJ6GEYJ392	M.RESISTOR CH 1/10W 3.9K	1		R41256	ERJ6GEYJ102	M.RESISTOR CH 1/10W 1K	1	
R41147	ERJ6GEYJ391	M.RESISTOR CH 1/10W 390	1		R41257	ERJ6GEYJ152	M.RESISTOR CH 1/10W 1.5K	1	
R41148	ERJ6GEYJ562	M.RESISTOR CH 1/10W 5.6K	1		R41258	ERJ6GEYJ103	M.RESISTOR CH 1/10W 10K	1	
R41149	ERJ6GEYJ103	M.RESISTOR CH 1/10W 10K	1		R41259	ERJ6GEYJ223	M.RESISTOR CH 1/10W 22K	1	
R41150	ERJ6GEYJ222	M.RESISTOR CH 1/10W 2.2K	1		R41260	ERJ6GEYJ821	M.RESISTOR CH 1/10W 820	1	
R41151	ERJ6GEYJ331	M.RESISTOR CH 1/10W 330	1		R41261	ERJ6GEYJ181	M.RESISTOR CH 1/10W 180	1	
R41152	ERJ6GEYJ3R3	M.RESISTOR CH 1/10W 3.3	1		R41262	ERJ6GEYJ102	M.RESISTOR CH 1/10W 1K	1	
R41153	ERJ6GEYJ122	M.RESISTOR CH 1/10W 1.2K	1		R41263	ERJ6GEYJ152	M.RESISTOR CH 1/10W 1.5K	1	
R41154	ERJ6GEYJ3R3	M.RESISTOR CH 1/10W 3.3	1		R41264	ERJ6GEYJ103	M.RESISTOR CH 1/10W 10K	1	
R41155,56	ERJ6GEYJ222	M.RESISTOR CH 1/10W 2.2K	2		R41265	ERJ6GEYJ223	M.RESISTOR CH 1/10W 22K	1	
R41157	ERJ6GEYJ122	M.RESISTOR CH 1/10W 1.2K	1						
R41158	ERJ6GEYJ222	M.RESISTOR CH 1/10W 2.2K	1						
R41159,60	ERJ6GEYG153	M.RESISTOR CH 1/10W 15K	2						
R41161	ERJ6GEYJ222	M.RESISTOR CH 1/10W 2.2K	1		SM41001	ESD145131	SWITCH	1	<R>
R41162,63	ERJ6GEYJ270	M.RESISTOR CH 1/10W 27	2						
R41164	ERJ6GEYJ152	M.RESISTOR CH 1/10W 1.5K	1						
R41165	ERJ6GEYJ392	M.RESISTOR CH 1/10W 3.9K	1		VC41001	ECV1ZW20X53T	V.CAPACITOR	20P	1
R41167	ERJ6GEYJ391	M.RESISTOR CH 1/10W 390	1						
R41168	ERJ6GEYJ562	M.RESISTOR CH 1/10W 5.6K	1						
R41169	ERJ6GEYJ222	M.RESISTOR CH 1/10W 2.2K	1						
R41170	ERJ6GEYJ331	M.RESISTOR CH 1/10W 330	1						
R41171	ERJ6GEYJ3R3	M.RESISTOR CH 1/10W 3.3	1		VR41001	EVN32CA00B24	VARIABLE	20K	1
R41172	ERJ6GEYJ122	M.RESISTOR CH 1/10W 1.2K	1		VR41002	EVMF6SA00B14	V.RESISTOR	10K	1
R41173	ERJ6GEYJ222	M.RESISTOR CH 1/10W 2.2K	1		VR41003	EVN32CA00B23	V.RESISTOR	2K	1
R41174,75	ERJ6GEYG153	M.RESISTOR CH 1/10W 15K	2		VR41004	EVN32CA00B15	V.RESISTOR	100K	1
R41176	ERJ6GEYJ3R3	M.RESISTOR CH 1/10W 3.3	1		VR41005	EVN32CA00B24	VARIABLE	20K	1
R41177	ERJ6GEYJ122	M.RESISTOR CH 1/10W 1.2K	1		VR41006	EVMF6SA00B14	V.RESISTOR	10K	1
R41178	ERJ6GEYJ222	M.RESISTOR CH 1/10W 2.2K	1		VR41007	EVN32CA00B53	V.RESISTOR	5K	1
R41179,80	ERJ6GEYJ270	M.RESISTOR CH 1/10W 27	2		VR41008,09	EVN32CA00B23	V.RESISTOR	2K	2
R41181,82	ERJ6GEYJ222	M.RESISTOR CH 1/10W 2.2K	2		VR41012,13	EVN32CA00B23	V.RESISTOR	2K	2
R41183	ERJ6GEYJ151	M.RESISTOR CH 1/10W 150	1		VR41014	EVN32CA00B53	V.RESISTOR	5K	1
R41184	ERJ6GEYJ103	M.RESISTOR CH 1/10W 10K	1		VR41015,16	EVN32CA00B23	V.RESISTOR	2K	2
R41185	ERJ6GEYJ182	M.RESISTOR CH 1/10W 1.8K	1						
R41186	ERJ6GEYJ822	M.RESISTOR CH 1/10W 8.2K	1						
R41187	ERJ6GEYJ151	M.RESISTOR CH 1/10W 150	1						
R41188	ERJ6GEYJ183	M.RESISTOR CH 1/10W 18K	1						
R41189	ERJ6GEYG472	M.RESISTOR CH 1/10W 4.7K	1						
R41190	ERJ6GEYJ103	M.RESISTOR CH 1/10W 10K	1						
R41191	ERJ6GEYJ152	M.RESISTOR CH 1/10W 1.5K	1						
R41192-94	ERJ6GEYJ103	M.RESISTOR CH 1/10W 10K	3						
R41195	ERJ6GEYJ182	M.RESISTOR CH 1/10W 1.8K	1						
R41196	ERJ6GEYJ822	M.RESISTOR CH 1/10W 8.2K	1						
R41197	ERJ6GEYJ183	M.RESISTOR CH 1/10W 18K	1						
R41198	ERJ6GEYG472	M.RESISTOR CH 1/10W 4.7K	1						
R41199	ERJ6GEYJ152	M.RESISTOR CH 1/10W 1.5K	1						
R41200-03	ERJ6GEYJ103	M.RESISTOR CH 1/10W 10K	4						
R41204	ERJ6GEYJ182	M.RESISTOR CH 1/10W 1.8K	1						
R41205	ERJ6GEYJ822	M.RESISTOR CH 1/10W 8.2K	1						
R41206	ERJ6GEYJ183	M.RESISTOR CH 1/10W 18K	1						
R41207	ERJ6GEYJ152	M.RESISTOR CH 1/10W 1.5K	1						
R41208	ERJ6GEYJ103	M.RESISTOR CH 1/10W 10K	1						
R41209	ERJ6GEYG472	M.RESISTOR CH 1/10W 4.7K	1						
R41210-12	ERJ6GEYJ103	M.RESISTOR CH 1/10W 10K	3						
R41213	ERJ6GEYJ182	M.RESISTOR CH 1/10W 1.8K	1						
R41214	ERJ6GEYJ822	M.RESISTOR CH 1/10W 8.2K	1						
R41215	ERJ6GEYJ183	M.RESISTOR CH 1/10W 18K	1						
R41216,17	ERJ6GEYJ103	M.RESISTOR CH 1/10W 10K	2						



Ref.No.	Part No.	Part Name & Description	Pcs	Remarks
	VEP04421D	P.C. BOARD W/COMPONENT AUDIO (2)		AG-8600E
C41001	ECEA1CGE471	E.CAPACITOR 16V 470U	1	
C41003,04	ECEA1HGE3R3	E.CAPACITOR 50V 3.3U	2	
C41005	ECQB1H682JF	P.CAPACITOR 50V 6800P	1	
C41006	ECUM1H102JCN	C.CAPACITOR CH 50V 1000P	1	
C41007	ECQB1H223JF	P.CAPACITOR 50V 0.022U	1	
C41008	ECEA1HGE100	E.CAPACITOR 50V 10U	1	
C41009	ECEA1HGE4R7	E.CAPACITOR 50V 4.7U	1	
C41010	ECQB1H223JF	P.CAPACITOR 50V 0.022U	1	
C41011	ECEA1CGE470	E.CAPACITOR 16V 47U	1	
C41012	ECQB1H103JF	P.CAPACITOR 50V 0.01U	1	
C41013	ECQB1H332JF	P.CAPACITOR 50V 3300P	1	
C41014-16	ECUM1H102JCN	C.CAPACITOR CH 50V 1000P	3	
C41017	ECEA1HGE4R7	E.CAPACITOR 50V 4.7U	1	
C41018	ECUM1H104ZFN	C.CAPACITOR 50V 0.1U	1	
C41019	ECUM1H103ZFN	C.CAPACITOR 50V 0.01U	1	
C41020	ECEA1AGE101	E.CAPACITOR 10V 100U	1	
C41021,22	ECUM1H103ZFN	C.CAPACITOR 50V 0.01U	2	
C41023	ECEA1AGE101	E.CAPACITOR 10V 100U	1	
C41024	ECEA1CGE470	E.CAPACITOR 16V 47U	1	
C41025	ECQB1H104JF	P.CAPACITOR 50V 0.1U	1	
C41026	ECUM1H103ZFN	C.CAPACITOR 50V 0.01U	1	
C41027	ECUM1H102JCN	C.CAPACITOR CH 50V 1000P	1	
C41028	ECUM1H331JCN	C.CAPACITOR CH 50V 330P	1	
C41029	ECQB1H104JF	P.CAPACITOR 50V 0.1U	1	
C41030	ECEA1VGE330	E.CAPACITOR 50V 33U	1	
C41031	ECQV1H274JZ	P.CAPACITOR 50V 0.27U	1	
C41032,33	ECUM1H103ZFN	C.CAPACITOR 50V 0.01U	2	
C41034	ECEA1AGE101	E.CAPACITOR 10V 100U	1	
C41035,36	ECUM1H103ZFN	C.CAPACITOR 50V 0.01U	2	
C41038	ECUM1H101JCN	C.CAPACITOR CH 50V 100P	1	
C41039	ECUM1H103ZFN	C.CAPACITOR 50V 0.01U	1	
C41040	ECUM1H104ZFN	C.CAPACITOR 50V 0.1U	1	
C41041	ECEA1HGE4R7	E.CAPACITOR 50V 4.7U	1	
C41042-44	ECUM1H102JCN	C.CAPACITOR CH 50V 1000P	3	
C41045	ECQB1H332JF	P.CAPACITOR 50V 3300P	1	
C41046	ECQB1H103JF	P.CAPACITOR 50V 0.01U	1	
C41047	ECEA1CGE470	E.CAPACITOR 16V 47U	1	
C41048,49	ECQB1H223JF	P.CAPACITOR 50V 0.022U	2	
C41050	ECEA1HGE100	E.CAPACITOR 50V 10U	1	
C41051	ECUM1H102JCN	C.CAPACITOR CH 50V 1000P	1	
C41052	ECQB1H682JF	P.CAPACITOR 50V 6800P	1	
C41055,56	ECEA1HGE100	E.CAPACITOR 50V 10U	2	
C41057	ECEA1CGE470	E.CAPACITOR 16V 47U	1	
C41058	ECEA1HGE220	E.CAPACITOR 50V 22U	1	
C41059	ECEA1CGE470	E.CAPACITOR 16V 47U	1	
C41060	ECEA1AGE101	E.CAPACITOR 10V 100U	1	
C41061	ECUM1H103ZFN	C.CAPACITOR 50V 0.01U	1	
C41065,66	ECEA1CGE470	E.CAPACITOR 16V 47U	2	
C41067,68	ECEA1CN100S	E.CAPACITOR 16V 10U	2	
C41069,70	ECEA1HGE4R7	E.CAPACITOR 50V 4.7U	2	
C41072-74	ECEA1CGE470	E.CAPACITOR 16V 47U	3	
C41075	ECEA1AGE221	E.CAPACITOR 10V 220U	1	
C41077	ECEA0JGE101	E.CAPACITOR 6.3V 100U	1	
C41080	ECEA1CGE470	E.CAPACITOR 16V 47U	1	
C41082	ECEA1CGE221	E.CAPACITOR 16V 220U	1	
C41084	ECEA1CGE470	E.CAPACITOR 16V 47U	1	
C41085	ECQB1H472JF	P.CAPACITOR 50V 4700P	1	
C41086,87	ECEA1HGE100	E.CAPACITOR 50V 10U	2	
C41088	ECEA1CGE470	E.CAPACITOR 16V 47U	1	
C41089	ECEA1HGE100	E.CAPACITOR 50V 10U	1	
C41090	ECEA1CGE470	E.CAPACITOR 16V 47U	1	
C41091	ECUM1H101JCN	C.CAPACITOR CH 50V 100P	1	
C41092	ECEA1CGE470	E.CAPACITOR 16V 47U	1	
C41093	ECEA1HGE100	E.CAPACITOR 50V 10U	1	
C41094,95	ECEA1CGE470	E.CAPACITOR 16V 47U	2	
C41116	ECEA1CGE101	E.CAPACITOR 16V 100U	1	
C41117	ECEA1CGE470	E.CAPACITOR 16V 47U	1	
C41118	ECEA1CGE101	E.CAPACITOR 16V 100U	1	
C41119	ECEA1CGE471	E.CAPACITOR 16V 470U	1	

Ref.No.	Part No.	Part Name & Description	Pcs	Remarks
C41121	ECEA1HGE4R7	E.CAPACITOR 50V 4.7U	1	
C41122	ECEA1CGE470	E.CAPACITOR 16V 47U	1	
C41123	ECEA1HGE220	E.CAPACITOR 50V 22U	1	
C41124	ECEA1CGE101	E.CAPACITOR 16V 100U	1	
C41130	ECUM1H103ZFN	C.CAPACITOR 50V 0.01U	1	
D41001,02	1SS133	DIODE	2	<R>
D41007,08	MA4068M	DIODE	2	<R>
D41009	MA151K	DIODE	1	<R>
D41010	MA157	DIODE	1	<R>
D41012,13	MA3030	DIODE	2	<R>
D41014	MA3068	DIODE	1	<R>
D41015,16	MA151K	DIODE	2	<R>
D41017	MA153	DIODE	1	<R>
FL41001	VLF0697	FILTER	1	
IC41001	BA7705K1	IC	1	<R>
IC41002	AN78M05	IC	1	<R>
IC41003	AN3912	IC	1	<R>
IC41004	UPC4558G2	IC	1	<R>
IC41005	UPC393G2	IC	1	<R>
IC41006	MC14053BF	IC	1	<R>
IC41007	UPC4558G2	IC	1	<R>
IC41008	NJM2068MD	IC	1	<R>
IC41010-12	MC14053BF	IC	3	<R>
IC41013	UPC4558G2	IC	1	<R>
IC41014	MC14053BF	IC	1	<R>
IC41015	UPC4556G2	IC	1	<R>
IC41016,17	AN6558S	IC	2	<R>
L41001-03	VLQEL05S101J	COIL 100UH	3	
L41004-08	VLQEL06F102K	COIL 1000UH	5	
P41001	VJP3078	CONNECTOR (MALE)	1	
P41003	VJP3176B064	CONNECTOR (MALE) 64P	1	
Q41002,03	2SD1306	TRANSISTOR	2	<R>
Q41006	MSD601-R	TRANSISTOR	1	<R>
Q41008	2SD1306	TRANSISTOR	1	<R>
Q41009	2SD638	TRANSISTOR	1	<R>
Q41010	2SB643	TRANSISTOR	1	<R>
Q41012-14	MSD601-R	TRANSISTOR	3	<R>
Q41015	2SD1328-R	TRANSISTOR	1	<R>
Q41016	2SD602A	TRANSISTOR	1	<R>
Q41017,18	2SD1306	TRANSISTOR	2	<R>
Q41036	2SB710	TRANSISTOR	1	<R>
Q41037	2SD1306	TRANSISTOR	1	<R>
Q41038,39	2SD1328-R	TRANSISTOR	2	<R>
Q41040	2SD1306	TRANSISTOR	1	<R>
Q41041,42	2SD1328-R	TRANSISTOR	2	<R>
Q41043	2SD1306	TRANSISTOR	1	<R>
Q41044,45	2SD1328-R	TRANSISTOR	2	<R>
Q41046	2SD1306	TRANSISTOR	1	<R>
Q41047,48	2SD1328-R	TRANSISTOR	2	<R>
Q41049	2SD601	TRANSISTOR	1	<R>
Q41051,52	2SD1306	TRANSISTOR	2	<R>
Q41053	2SB709A-R	TRANSISTOR	1	<R>
Q41110,11	2SC1740SX	TRANSISTOR	2	<R>
QR41002,03	MRN2403	TRANSISTOR	2	<R>
QR41004	MRN1403	TRANSISTOR	1	<R>
QR41006,07	MRN1404	TRANSISTOR	2	<R>
QR41012	MRN1402	TRANSISTOR	1	<R>

Ref.No.	Part No.	Part Name & Description	Pcs	Remarks	Ref.No.	Part No.	Part Name & Description	Pcs	Remarks
R41003,04	ERJ6GEYJ102	M.RESISTOR CH 1/10W 1K	2		R41125	ERJ6GEYG472	M.RESISTOR CH 1/10W 4.7K	1	
R41005,06	ERJ6GEYJ473	M.RESISTOR CH 1/10W 47K	2		R41126	ERJ6GEYJ123	M.RESISTOR CH 1/10W 12K	1	
R41007	ERJ6GEYJ225	M.RESISTOR CH 1/10W 2.2M	1		R41127,28	ERJ6GEYJ470	M.RESISTOR CH 1/10W 47	2	
R41008,09	ERJ6GEYJ331	M.RESISTOR CH 1/10W 330	2		R41129	ERJ6GEYJ561	M.RESISTOR CH 1/10W 560	1	
R41010,11	ERJ6GEYJ821	M.RESISTOR CH 1/10W 820	2		R41130	ERJ6GEYJ102	M.RESISTOR CH 1/10W 1K	1	
R41012	ERJ6GEYJ681	M.RESISTOR CH 1/10W 680	1		R41131	ERJ6GEYJ103	M.RESISTOR CH 1/10W 10K	1	
R41013	VRE0034E112	M.RESISTOR CH 1/10W 1.1K	1		R41132,33	ERJ6GEYJ470	M.RESISTOR CH 1/10W 47	2	
R41014	VRE0034E103	M.RESISTOR CH 1/10W 10K	1		R41134	ERJ6GEYJ561	M.RESISTOR CH 1/10W 560	1	
R41015	ERJ6GEYJ183	M.RESISTOR CH 1/10W 18K	1		R41135	ERJ6GEYJ102	M.RESISTOR CH 1/10W 1K	1	
R41016	ERJ6GEYJ562	M.RESISTOR CH 1/10W 5.6K	1		R41136	ERJ6GEYJ103	M.RESISTOR CH 1/10W 10K	1	
R41017	ERJ6GEYJ104	M.RESISTOR CH 1/10W 100K	1		R41149	ERJ6GEYJ103	M.RESISTOR CH 1/10W 10K	1	
R41018	ERJ6GEYJ303	M.RESISTOR CH 1/10W 30K	1		R41183	ERJ6GEYJ151	M.RESISTOR CH 1/10W 150	1	
R41019	ERJ6GEYJ123	M.RESISTOR CH 1/10W 12K	1		R41184	ERJ6GEYJ103	M.RESISTOR CH 1/10W 10K	1	
R41020	ERJ6GEYJ102	M.RESISTOR CH 1/10W 1K	1		R41185	ERJ6GEYJ182	M.RESISTOR CH 1/10W 1.8K	1	
R41021	VRE0034E393	M.RESISTOR CH 1/10W 39K	1		R41186	ERJ6GEYJ822	M.RESISTOR CH 1/10W 8.2K	1	
R41022	ERJ6GEYJ102	M.RESISTOR CH 1/10W 1K	1		R41187	ERJ6GEYJ151	M.RESISTOR CH 1/10W 150	1	
R41023,24	VRE0034E223	M.RESISTOR CH 1/10W 22K	2		R41188	ERJ6GEYJ183	M.RESISTOR CH 1/10W 18K	1	
R41025	ERJ6GEYJ183	M.RESISTOR CH 1/10W 18K	1		R41189	ERJ6GEYJ472	M.RESISTOR CH 1/10W 4.7K	1	
R41026	ERJ6GEYJ105	M.RESISTOR CH 1/10W 1M	1		R41190	ERJ6GEYJ103	M.RESISTOR CH 1/10W 10K	1	
R41027	ERJ6GEYJ102	M.RESISTOR CH 1/10W 1K	1		R41191	ERJ6GEYJ152	M.RESISTOR CH 1/10W 1.5K	1	
R41028,29	ERJ6GEYJ473	M.RESISTOR CH 1/10W 47K	2		R41192-94	ERJ6GEYJ103	M.RESISTOR CH 1/10W 10K	3	
R41030	ERJ6GEYJ102	M.RESISTOR CH 1/10W 1K	1		R41195	ERJ6GEYJ182	M.RESISTOR CH 1/10W 1.8K	1	
R41031	ERJ6GEYJ823	M.RESISTOR CH 1/10W 82K	1		R41196	ERJ6GEYJ822	M.RESISTOR CH 1/10W 8.2K	1	
R41032	ERJ6GEYJ182	M.RESISTOR CH 1/10W 1.8K	1		R41197	ERJ6GEYJ183	M.RESISTOR CH 1/10W 18K	1	
R41033,34	ERJ6GEYJ152	M.RESISTOR CH 1/10W 1.5K	2		R41198	ERJ6GEYJ472	M.RESISTOR CH 1/10W 4.7K	1	
R41035	ERJ6GEYJ182	M.RESISTOR CH 1/10W 1.8K	1		R41199	ERJ6GEYJ152	M.RESISTOR CH 1/10W 1.5K	1	
R41038	ERJ6GEYJ181	M.RESISTOR CH 1/10W 180	1		R41200-03	ERJ6GEYJ103	M.RESISTOR CH 1/10W 10K	4	
R41039	ERJ6GEYJ103	M.RESISTOR CH 1/10W 10K	1		R41204	ERJ6GEYJ182	M.RESISTOR CH 1/10W 1.8K	1	
R41040	ERJ6GEYJ303	M.RESISTOR CH 1/10W 30K	1		R41205	ERJ6GEYJ822	M.RESISTOR CH 1/10W 8.2K	1	
R41041	ERJ6GEYJ104	M.RESISTOR CH 1/10W 100K	1		R41206	ERJ6GEYJ183	M.RESISTOR CH 1/10W 18K	1	
R41042	ERJ6GEYJ562	M.RESISTOR CH 1/10W 5.6K	1		R41207	ERJ6GEYJ152	M.RESISTOR CH 1/10W 1.5K	1	
R41043	ERJ6GEYJ183	M.RESISTOR CH 1/10W 18K	1		R41208	ERJ6GEYJ103	M.RESISTOR CH 1/10W 10K	1	
R41044	VRE0034E103	M.RESISTOR CH 1/10W 10K	1		R41209	ERJ6GEYJ472	M.RESISTOR CH 1/10W 4.7K	1	
R41045	VRE0034E112	M.RESISTOR CH 1/10W 1.1K	1		R41210-12	ERJ6GEYJ103	M.RESISTOR CH 1/10W 10K	3	
R41046	ERJ6GEYJ681	M.RESISTOR CH 1/10W 680	1		R41213	ERJ6GEYJ182	M.RESISTOR CH 1/10W 1.8K	1	
R41047,48	ERJ6GEYJ821	M.RESISTOR CH 1/10W 820	2		R41214	ERJ6GEYJ822	M.RESISTOR CH 1/10W 8.2K	1	
R41049	ERJ6GEYJ104	M.RESISTOR CH 1/10W 100K	1		R41215	ERJ6GEYJ183	M.RESISTOR CH 1/10W 18K	1	
R41050	ERJ6GEYJ182	M.RESISTOR CH 1/10W 1.8K	1		R41216,17	ERJ6GEYJ103	M.RESISTOR CH 1/10W 10K	2	
R41051	ERJ6GEYJ821	M.RESISTOR CH 1/10W 820	1		R41218	ERJ6GEYJ472	M.RESISTOR CH 1/10W 4.7K	1	
R41062	ERJ6GEYJ392	M.RESISTOR CH 1/10W 3.9K	1		R41219	ERJ6GEYJ103	M.RESISTOR CH 1/10W 10K	1	
R41063	ERJ6GEYJ332	M.RESISTOR CH 1/10W 3.3K	1		R41220	ERJ6GEYJ152	M.RESISTOR CH 1/10W 1.5K	1	
R41064	ERJ6GEYJ392	M.RESISTOR CH 1/10W 3.9K	1		R41228,29	ERJ6GEYJ103	M.RESISTOR CH 1/10W 10K	2	
R41065	ERJ6GEYJ332	M.RESISTOR CH 1/10W 3.3K	1		R41230	ERJ6GEYJ681	M.RESISTOR CH 1/10W 680	1	
R41066-71	ERJ6GEYJ103	M.RESISTOR CH 1/10W 10K	6		R41231	ERJ6GEYJ273	M.RESISTOR CH 1/10W 27K	1	
R41072,73	ERJ6GEYJ561	M.RESISTOR CH 1/10W 560	2		R41232	ERJ6GEYJ104	M.RESISTOR CH 1/10W 100K	1	
R41074	ERJ6GEYJ103	M.RESISTOR CH 1/10W 10K	1		R41233,34	ERJ6GEYJ103	M.RESISTOR CH 1/10W 10K	2	
R41075,76	ERJ6GEYJ331	M.RESISTOR CH 1/10W 330	2		R41235	ERJ6GEYJ563	M.RESISTOR CH 1/10W 56K	1	
R41077	ERJ6GEYJ102	M.RESISTOR CH 1/10W 1K	1		R41236,37	ERJ6GEYJ103	M.RESISTOR CH 1/10W 10K	2	
R41078	ERJ6GEYJ103	M.RESISTOR CH 1/10W 10K	1		R41250,51	ERJ6GEYJ000	M.RESISTOR CH 1/10W 0	2	
R41082	ERJ6GEYJ102	M.RESISTOR CH 1/10W 1K	1		R41254	ERJ6GEYJ821	M.RESISTOR CH 1/10W 820	1	
R41091	ERJ6GEYJ102	M.RESISTOR CH 1/10W 1K	1		R41255	ERJ6GEYJ181	M.RESISTOR CH 1/10W 180	1	
R41097	ERJ6GEYJ680	M.RESISTOR CH 1/10W 68	1		R41256	ERJ6GEYJ102	M.RESISTOR CH 1/10W 1K	1	
R41098	ERJ6GEYJ104	M.RESISTOR CH 1/10W 100K	1		R41257	ERJ6GEYJ152	M.RESISTOR CH 1/10W 1.5K	1	
R41099	ERJ6GEYJ102	M.RESISTOR CH 1/10W 1K	1		R41258	ERJ6GEYJ103	M.RESISTOR CH 1/10W 10K	1	
R41100	VRE0034E302	M.RESISTOR CH 1/10W 3K	1		R41259	ERJ6GEYJ223	M.RESISTOR CH 1/10W 22K	1	
R41101	ERJ6GEYJ562	M.RESISTOR CH 1/10W 5.6K	1		R41260	ERJ6GEYJ821	M.RESISTOR CH 1/10W 820	1	
R41102	ERJ6GEYJ103	M.RESISTOR CH 1/10W 10K	1		R41261	ERJ6GEYJ181	M.RESISTOR CH 1/10W 180	1	
R41103	ERJ6GEYJ473	M.RESISTOR CH 1/10W 47K	1		R41262	ERJ6GEYJ102	M.RESISTOR CH 1/10W 1K	1	
R41104	ERJ6GEYJ102	M.RESISTOR CH 1/10W 1K	1		R41263	ERJ6GEYJ152	M.RESISTOR CH 1/10W 1.5K	1	
R41105,06	ERJ6GEYJ103	M.RESISTOR CH 1/10W 10K	2		R41264	ERJ6GEYJ103	M.RESISTOR CH 1/10W 10K	1	
R41107,08	ERJ6GEYJ104	M.RESISTOR CH 1/10W 100K	2		R41265	ERJ6GEYJ223	M.RESISTOR CH 1/10W 22K	1	
R41109-11	ERJ6GEYJ103	M.RESISTOR CH 1/10W 10K	3						
R41112	ERJ6GEYJ222	M.RESISTOR CH 1/10W 2.2K	1						
R41113	ERJ6GEYJ334	M.RESISTOR CH 1/10W 330K	1		SW41001	ESD145131	SWITCH	1	<R>
R41115	ERJ6GEYJ103	M.RESISTOR CH 1/10W 10K	1						
R41116	ERJ6GEYJ221	M.RESISTOR CH 1/10W 220	1						
R41117	ERJ6GEYJ223	M.RESISTOR CH 1/10W 22K	1						
R41118	ERJ6GEYJ102	M.RESISTOR CH 1/10W 1K	1		VR41001	EVN32CA00B24	VARIABLE	20K	1
R41119	ERJ6GEYJ103	M.RESISTOR CH 1/10W 10K	1		VR41002	EVMF6SA00B14	V.RESISTOR	10K	1
R41120	ERJ6GEYJ000	M.RESISTOR CH 1/10W 0	1		VR41004	EVN32CA00B15	V.RESISTOR	100K	1
R41121	ERJ6GEYJ103	M.RESISTOR CH 1/10W 10K	1		VR41005	EVN32CA00B24	VARIABLE	20K	1
R41122	ERJ6GEYJ391	M.RESISTOR CH 1/10W 390	1		VR41006	EVMF6SA00B14	V.RESISTOR	10K	1
R41123	ERJ6GEYJ472	M.RESISTOR CH 1/10W 4.7K	1		VR41012,13	EVN32CA00B23	V.RESISTOR	2K	2
R41124	ERJ6GEYJ123	M.RESISTOR CH 1/10W 12K	1		VR41014	EVN32CA00B53	V.RESISTOR	5K	1

Ref.No.	Part No.	Part Name & Description	Pcs	Remarks	Ref.No.	Part No.	Part Name & Description	Pcs	Remarks
	VEP05162N	P.C. BOARD W/COMPONENT HEAD AMP		AG-8700E	QR5001	MRN1404	TRANSISTOR	1	<R>
C5001	ECUM1H102KBN	C.CAPACITOR CH 50V 1000P	1		R5001	ERJ6G6Y6472	M.RESISTOR CH 1/10W 4.7K	1	
C5002,03	ECUM1H103ZFN	C.CAPACITOR 50V 0.01U	2		R5002	ERJ6G6YJ684	M.RESISTOR CH 1/10W 680K	1	
C5004	ECEA1HKA0R1	E.CAPACITOR 50V 0.1U	1		R5003	ERJ6G6YJ223	M.RESISTOR CH 1/10W 22K	1	
C5005	ECUM1H102KBN	C.CAPACITOR CH 50V 1000P	1		R5004	ERJ6G6YJ101	M.RESISTOR CH 1/10W 100	1	
C5006-08	ECUM1H103ZFN	C.CAPACITOR 50V 0.01U	3		R5005	ERJ6G6YJ102	M.RESISTOR CH 1/10W 1K	1	
C5009	ECUM1H182JN	C.CAPACITOR CH 50V 1800P	1		R5006	ERJ6G6YJ152	M.RESISTOR CH 1/10W 1.5K	1	
C5010	ECUM1E104ZFN	C.CAPACITOR CH 25V 0.1U	1		R5007	ERJ6G6YJ122	M.RESISTOR CH 1/10W 1.2K	1	
C5011	ECEA10KA220	E.CAPACITOR 16V 22U	1		R5008	ERJ6G6YJ222	M.RESISTOR CH 1/10W 2.2K	1	
C5012	ECUM1H473ZFN	C.CAPACITOR CH 50V 0.047U	1		R5009	ERJ6G6YJ471	M.RESISTOR CH 1/10W 470	1	
C5013	ECUM1H102KBN	C.CAPACITOR CH 50V 1000P	1		R5010	ERJ6G6YK1R0	M.RESISTOR CH 1/10W 1.0	1	
C5014	ECEA0JKA470	E.CAPACITOR 6.3V 47U	1		R5011-14	ERJ6G6YJ122	M.RESISTOR CH 1/10W 1.2K	4	
C5015	ECUM1E104ZFN	C.CAPACITOR CH 25V 0.1U	1		R5015-18	ERJ6G6YJ100	M.RESISTOR CH 1/10W 10	4	
C5016	ECEA1EKA4R7	E.CAPACITOR 25V 4.7U	1		R5019	ERJ6G6YJ391	M.RESISTOR CH 1/10W 390	1	
C5017	ECUM1H120JCN	C.CAPACITOR CH 50V 12P	1		R5020,21	ERJ6G6YJ332	M.RESISTOR CH 1/10W 3.3K	2	
C5018,19	ECUM1E224ZFN	C.CAPACITOR CH 25V 0.22U	2		R5022	ERJ6G6YJ152	M.RESISTOR CH 1/10W 1.5K	1	
C5020	ECEA1EKA4R7	E.CAPACITOR 25V 4.7U	1		R5026	ERJ6G6YOR00	M.RESISTOR CH 1/10W 0	1	
C5021	ECUM1H120JCN	C.CAPACITOR CH 50V 12P	1		R5027	ERJ6G6YJ333	M.RESISTOR CH 1/10W 33K	1	
C5022	ECEA1EKA4R7	E.CAPACITOR 25V 4.7U	1		R5028	ERJ6G6YJ243	M.RESISTOR CH 1/10W 24K	1	
C5023	ECUM1H030CCN	C.CAPACITOR CH 50V 3P	1		R5029	ERJ6G6YJ273	M.RESISTOR CH 1/10W 27K	1	
C5024,25	ECUM1E104ZFN	C.CAPACITOR CH 25V 0.1U	2		R5030	ERJ6G6YJ391	M.RESISTOR CH 1/10W 390	1	
C5026	ECUM1H030CCN	C.CAPACITOR CH 50V 3P	1		R5031	ERJ6G6YJ103	M.RESISTOR CH 1/10W 10K	1	
C5027	ECEA1EKA4R7	E.CAPACITOR 25V 4.7U	1		R5032	ERJ6G6YJ473	M.RESISTOR CH 1/10W 47K	1	
C5028	ECUM1E104ZFN	C.CAPACITOR CH 25V 0.1U	1		R5033	ERJ6G6YJ273	M.RESISTOR CH 1/10W 27K	1	
C5029	ECUM1H102KBN	C.CAPACITOR CH 50V 1000P	1		R5034	ERJ6G6YJ153	M.RESISTOR CH 1/10W 15K	1	
C5030	ECUM1H103ZFN	C.CAPACITOR 50V 0.01U	1		R5036	ERJ6G6YJ332	M.RESISTOR CH 1/10W 3.3K	1	
C5031	ECUM1H104ZFN	C.CAPACITOR 50V 0.1U	1		R5037,38	ERJ6G6YJ152	M.RESISTOR CH 1/10W 1.5K	2	
C5032,33	ECUM1E104ZFN	C.CAPACITOR CH 25V 0.1U	2		R5039	ERJ6G6YJ332	M.RESISTOR CH 1/10W 3.3K	1	
C5034	ECUM1H102KBN	C.CAPACITOR CH 50V 1000P	1		R5040	ERDS2TJ221	C.RESISTOR 1/4W 220	1	
C5035	ECEA0JKA470	E.CAPACITOR 6.3V 47U	1		R5041-43	ERJ6G6YJ100	M.RESISTOR CH 1/10W 10	3	
C5036	ECUM1H103ZFN	C.CAPACITOR 50V 0.01U	1		R5044,45	ERJ6G6YJ103	M.RESISTOR CH 1/10W 10K	2	
C5037,38	ECUM1H103KBN	C.CAPACITOR CH 50V 0.01U	2		R5046,47	ERJ6G6YOR00	M.RESISTOR CH 1/10W 0	2	
C5039,40	ECUM1H103ZFN	C.CAPACITOR 50V 0.01U	2		R5058	ERJ6G6YOR00	M.RESISTOR CH 1/10W 0	1	
C5042	ECEA1HKA010	E.CAPACITOR 50V 1U	1		R5059	ERJ6G6YJ473	M.RESISTOR CH 1/10W 47K	1	
C5043	ECUM1H471JCN	C.CAPACITOR CH 50V 470P	1		R5061	ERJ6G6YOR00	M.RESISTOR CH 1/10W 0	1	
C5044,45	ECUM1H101JCN	C.CAPACITOR CH 50V 100P	2		R5062	ERDS2TJ221	C.RESISTOR 1/4W 220	1	
C5046	ECUM1H471JCN	C.CAPACITOR CH 50V 470P	1		R5070	ERJ6G6YOR00	M.RESISTOR CH 1/10W 0	1	
C5047	ECEA1HKA010	E.CAPACITOR 50V 1U	1						
C5048	ECUM1H472ZFN	C.CAPACITOR CH 50V 4700P	1						
C5056	ECUM1H103ZFN	C.CAPACITOR 50V 0.01U	1						
C5066	ECUM1E224ZFN	C.CAPACITOR CH 25V 0.22U	1						
D5001,02	MA151K	DIODE	2	<R>			MISCELLANEOUS		
D5004	MA151K	DIODE	1	<R>	E64	VSC3119	SHIELD COVER (MIDDLE)	1	
					E65	VSC3039	SHIELD COVER (FRONT)	1	
					E66	VSC3040	SHIELD COVER (REAR)	1	
IC5001	AN3334K	IC	1	<R>					
IC5002	BA7740FS	IC	1	<R>					
L5001-04	VLQ0460	COIL	4						
P5001	VJP3091	CONNECTOR (MALE)	1						
P5002	VJS2603	CONNECTOR (FEMALE)	1						
P5003	VJP3091	CONNECTOR (MALE)	1						
Q5001	MSB709-R	TRANSISTOR	1	<R>					
Q5002	MSC2295-B	TRANSISTOR	1	<R>					
Q5003	XN4504	TRANSISTOR-TRANSISTOR	1	<R>					
Q5004,05	MSC2295-B	TRANSISTOR	2	<R>					









Ref.No.	Part No.	Part Name & Description	Pcs	Remarks	Ref.No.	Part No.	Part Name & Description	Pcs	Remarks
QR62001	MRN1404	TRANSISTOR	1	<R>					
						VEP06904E	P.C. BOARD W/COMPONENT SERVO & SYSCON		AG-8700E
R62001	ERJ6GEYJ103	M.RESISTOR CH 1/10W 10K	1		C1501	ECEA1VGE220	E.CAPACITOR 35V 220U	1	
R62003	ERJ6GEYJ104	M.RESISTOR CH 1/10W 100K	1		C1502	ECQV1H104JZ	P.CAPACITOR 50V 0.1U	1	
R62004-11	ERJ6GEYJ473	M.RESISTOR CH 1/10W 47K	8		C1503	ECEA1DPS681	E.CAPACITOR 20V 680U	1	
R62012-19	ERJ6GEYJ103	M.RESISTOR CH 1/10W 10K	8		C1504	ECQV1H104JZ	P.CAPACITOR 50V 0.1U	1	
R62020-24	ERJ6GEYJ223	M.RESISTOR CH 1/10W 22K	5		C1505	ECEA1AGE221	E.CAPACITOR 10V 220U	1	
R62025	ERJ6GEYJ471	M.RESISTOR CH 1/10W 470	1		C1506	ECEA1CU101	E.CAPACITOR 16V 100U	1	
R62026-36	ERJ6GEYJ103	M.RESISTOR CH 1/10W 10K	11		C1507	ECUM1H103ZFN	C.CAPACITOR 50V 0.01U	1	
R62037-40	ERJ6GEYJ223	M.RESISTOR CH 1/10W 22K	4		C1508	ECQV1H104JZ	P.CAPACITOR 50V 0.1U	1	
R62041	ERJ6GEYJ392	M.RESISTOR CH 1/10W 3.9K	1		C1509,10	ECEA1CU101	E.CAPACITOR 16V 100U	2	
R62042-52	ERJ6GEYJ473	M.RESISTOR CH 1/10W 47K	11		C1511	ECEA1HUR7	E.CAPACITOR 50V 4.7U	1	
R62059	ERJ6GEYJ102	M.RESISTOR CH 1/10W 1K	1		C1512	ECEA1CU101	E.CAPACITOR 16V 100U	1	
R62070,71	ERJ14YJ330	M.RESISTOR CH 1/4W 33	2		C1513	ECQB1H103JF	P.CAPACITOR 50V 0.01U	1	
R62076-79	ERJ6GEYJ332	M.RESISTOR CH 1/10W 3.3K	4		C1514	ECQB1H473JF	P.CAPACITOR 50V 0.047U	1	
R62080	ERJ6GEYJ104	M.RESISTOR CH 1/10W 100K	1		C1515	ECUM1H223KBN	C.CAPACITOR 50V 0.022U	1	
R62081	ERJ6GEYJ332	M.RESISTOR CH 1/10W 3.3K	1		C1517	ECEA1AU221	E.CAPACITOR 10V 220U	1	
R62082	ERJ6GEYJ104	M.RESISTOR CH 1/10W 100K	1		C1518	ECEA1VU100	E.CAPACITOR 35V 10U	1	
R62083	ERJ6GEYJ332	M.RESISTOR CH 1/10W 3.3K	1		C1519	ECEA1EGE470	E.CAPACITOR 25V 47U	1	
R62084	ERJ6GEYJ104	M.RESISTOR CH 1/10W 100K	1		C1520	ECEA1EGE221	E.CAPACITOR 25V 220U	1	
R62085	ERJ6GEYJ332	M.RESISTOR CH 1/10W 3.3K	1		C1521	ECEA1EGE470	E.CAPACITOR 25V 47U	1	
R62088,89	ERJ6GEYJ472	M.RESISTOR CH 1/10W 4.7K	2		C1522	ECEA1CGE102	E.CAPACITOR 16V 1000U	1	
R62090	ERJ6GEYJ564	M.RESISTOR CH 1/10W 560K	1		C1523	ECEA1EGE470	E.CAPACITOR 25V 47U	1	
R62091	ERJ6GEYJ681	M.RESISTOR CH 1/10W 680	1		C1524	ECEA1EGE221	E.CAPACITOR 25V 220U	1	
R62092,93	ERJ6GEYJ683	M.RESISTOR CH 1/10W 68K	2		C1525	ECEA1AGE101	E.CAPACITOR 10V 100U	1	
R62094	ERJ6GEYJ564	M.RESISTOR CH 1/10W 560K	1		C1526	ECEA1AGE471	E.CAPACITOR 10V 47U	1	
R62095,96	ERJ6GEYJ103	M.RESISTOR CH 1/10W 10K	2		C1527	ECEA1EGE221	E.CAPACITOR 25V 220U	1	
R62097-01	ERJ6GEYJ223	M.RESISTOR CH 1/10W 22K	5		C1529	ECEA1EGE471	E.CAPACITOR 25V 470U	1	
R62102,03	ERJ6GEYJ103	M.RESISTOR CH 1/10W 10K	2		C1530	ECEA1VGE220	E.CAPACITOR 35V 220U	1	
R62108	ERJ6GEYJ473	M.RESISTOR CH 1/10W 47K	1		C1531	ECA0JFQ102	E.CAPACITOR 6.3V 1000U	1	
R62109	ERJ6GEYJ103	M.RESISTOR CH 1/10W 10K	1		C1532	ECEA1AGE221	E.CAPACITOR 10V 220U	1	
R62110-12	ERJ6GEYJ223	M.RESISTOR CH 1/10W 22K	3		C1533	ECUM1H103ZFN	C.CAPACITOR 50V 0.01U	1	
R62701-03	ERDS2TJ560	C.RESISTOR 1/4W 56	3		C1534	ECEA1EGE221	E.CAPACITOR 25V 220U	1	
R62704	ERDS2TJ470	C.RESISTOR 1/4W 47	1		C1541	ECEA1AGE101	E.CAPACITOR 10V 100U	1	
R62705-07	ERDS2TJ560	C.RESISTOR 1/4W 56	3		C1542	ECUM1H103KBN	C.CAPACITOR CH 50V 0.01U	1	
					C2001	ECEA0JU470	E.CAPACITOR 6.3V 47U	1	
SW62010-13	EVQQJ104K	SWITCH	4	<R>	C2002	ECUM1H150JCN	C.CAPACITOR CH 50V 15P	1	
SW62014,15	VSS0225	SWITCH	2	<R>	C2003	ECUM1H181JCN	C.CAPACITOR CH 50V 180P	1	
SW62016	VSS0324	SWITCH	1	<R>	C2004	ECUM1H101JCN	C.CAPACITOR CH 50V 100P	1	
SW62017,18	VSS0225	SWITCH	2	<R>	C2005	ECUM1H103ZFN	C.CAPACITOR 50V 0.01U	1	
SW62020	VSS0225	SWITCH	1	<R>	C2006	ECUM1E104ZFN	C.CAPACITOR CH 25V 0.1U	1	
SW62021	VSS0324	SWITCH	1	<R>	C2007	ECEA1AU330	E.CAPACITOR 10V 33U	1	
SW62022,23	VSS0225	SWITCH	2	<R>	C2008	ECQB1H683JF	P.CAPACITOR 50V 0.068U	1	
SW62501-04	VSP0829	SWITCH	4	<R>	C2009	ECUM1H103ZFN	C.CAPACITOR 50V 0.01U	1	
SW62701	VSP0791	SWITCH	1	<R>	C2010	ECEA0JU470	E.CAPACITOR 6.3V 47U	1	
SW62702	VSP0792	SWITCH	1	<R>	C2011	ECEA1AU220	E.CAPACITOR 10V 22U	1	
SW62703	VSP0788	SWITCH	1	<R>	C2012	ECEA1CU470	E.CAPACITOR 16V 47U	1	
SW62704	VSP0794	SWITCH	1	<R>	C2013-15	ECUM1H103ZFN	C.CAPACITOR 50V 0.01U	3	
SW62705	VSP0790	SWITCH	1	<R>	C2016,17	ECEA0JU470	E.CAPACITOR 6.3V 47U	2	
SW62706	VSP0793	SWITCH	1	<R>	C2018	ECUM1H103ZFN	C.CAPACITOR 50V 0.01U	1	
SW62707	VSP0795	SWITCH	1	<R>	C2019	ECEA0JU470	E.CAPACITOR 6.3V 47U	1	
					C2020	ECUM1H103ZFN	C.CAPACITOR 50V 0.01U	1	
					C2021	ECQB1H152JF	P.CAPACITOR 50V 1500P	1	
					C2022	ECUM1H103ZFN	C.CAPACITOR 50V 0.01U	1	
X62001	VSX0140	CRYSTAL OSCILLATOR	1	<R>	C2023	ECQV1H184JZ	P.CAPACITOR 50V 0.18U	1	
					C2024	ECUM1H102JN	C.CAPACITOR CH 50V 1000P	1	
					C2025	ECUM1H103ZFN	C.CAPACITOR 50V 0.01U	1	
		MISCELLANEOUS			C2026	ECEA1HU010	E.CAPACITOR 50V 1U	1	
E43	VMX0985	SPACER	1		C2027	ECEA0JU470	E.CAPACITOR 6.3V 47U	1	
E73	VJF0960	HOLDER	1		C2028	ECUM1H103ZFN	C.CAPACITOR 50V 0.01U	1	
E74	VMX2062	LED SPACER	2		C2029	ECUM1H330JCN	C.CAPACITOR CH 50V 33P	1	
E76	VMS4950	P.C. BOARD POST	2		C2030	ECUM1H220JCN	C.CAPACITOR CH 50V 22P	1	
E79	XYN26+C5FR	SCREW	14		C2031	ECUM1H100DCN	C.CAPACITOR CH 50V 10P	1	
E77	VWJ10SW050L0	FLAT CABLE	1		C2032	ECEA0JU470	E.CAPACITOR 6.3V 47U	1	
E78	VWJ18XW040L1	FLEXIBLE WIRE	1		C2033,34	ECEA1CU100	E.CAPACITOR 16V 10U	2	
E75	VMS5528	P.C.B. SUPORT	5		C2035	ECEA1HUR47	E.CAPACITOR 50V 0.47U	1	
	VKC0295	BOARD SPACER			C2044,45	ECUM1H271JCN	C.CAPACITOR CH 50V 270P	2	
					C2046	ECEA1HUR47	E.CAPACITOR 50V 0.47U	1	
					C2047	ECUM1E104ZFN	C.CAPACITOR CH 25V 0.1U	1	
					C2050	ECUM1H103ZFN	C.CAPACITOR 50V 0.01U	1	
					C2201	ECEA0JGE470	E.CAPACITOR 6.3V 47U	1	

Ref.No.	Part No.	Part Name & Description	Pcs	Remarks	Ref.No.	Part No.	Part Name & Description	Pcs	Remarks
C2202,03	ECUM1H103ZFN	C.CAPACITOR 50V 0.01U	2		C2735	ECEAOJU470	E.CAPACITOR 6.3V 47U	1	
C2204,05	ECUM1H220JCN	C.CAPACITOR CH 50V 22P	2		C2736	ECQB1H683JF	P.CAPACITOR 50V 0.068U	1	
C2206	ECEAOJU470	E.CAPACITOR 6.3V 47U	1		C2737	ECUM1H103ZFN	C.CAPACITOR 50V 0.01U	1	
C2207,08	ECUM1H103ZFN	C.CAPACITOR 50V 0.01U	2		C2738	ECEA1CU470	E.CAPACITOR 16V 47U	1	
C2209,10	ECUM1H220JCN	C.CAPACITOR CH 50V 22P	2		C2739	ECEAOJU470	E.CAPACITOR 6.3V 47U	1	
C2214	ECUM1H101JCN	C.CAPACITOR CH 50V 100P	1		C2740	ECEA1EU470	E.CAPACITOR 25V 47U	1	
C2215	ECUM1H103ZFN	C.CAPACITOR 50V 0.01U	1		C2741	ECUM1H333KBN	C.CAPACITOR CH 50V 0.033U	1	
C2216	ECEAOJU470	E.CAPACITOR 6.3V 47U	1		C2742	ECQB1H104JF	P.CAPACITOR 50V 0.1U	1	
C2217,18	ECUM1H103ZFN	C.CAPACITOR 50V 0.01U	2		C2744-46	ECEA1HU2R2	E.CAPACITOR 50V 2.2U	3	
C2219	ECEAOJU470	E.CAPACITOR 6.3V 47U	1		C2747-50	ECUM1H333KBN	C.CAPACITOR CH 50V 0.033U	4	
C2220,21	ECUM1H103ZFN	C.CAPACITOR 50V 0.01U	2		C2751-53	ECUM1H103ZFN	C.CAPACITOR 50V 0.01U	3	
C2222	ECEAOJU470	E.CAPACITOR 6.3V 47U	1		C2754	ECEAOJU470	E.CAPACITOR 6.3V 47U	1	
C2223,24	ECUM1H103ZFN	C.CAPACITOR 50V 0.01U	2		C2755-57	ECUM1H102JN	C.CAPACITOR CH 50V 1000P	3	
C2225	ECEAOJU470	E.CAPACITOR 6.3V 47U	1		C2758	ECEA1HNR47S	E.CAPACITOR 50V 0.47U	1	
C2226	ECUM1H103ZFN	C.CAPACITOR 50V 0.01U	1		C2759	ECUM1H221JCN	C.CAPACITOR CH 50V 220P	1	
C2227	ECEAOJU470	E.CAPACITOR 6.3V 47U	1		C2760	ECEA1HNR2S	E.CAPACITOR 50V 2.2U	1	
C2228-30	ECUM1H103ZFN	C.CAPACITOR 50V 0.01U	3		C2761	ECUM1H101JCN	C.CAPACITOR CH 50V 100P	1	
C2231	ECEAOJU470	E.CAPACITOR 6.3V 47U	1		C2762	ECEA1HU2R2	E.CAPACITOR 50V 2.2U	1	
C2232-34	ECUM1H103ZFN	C.CAPACITOR 50V 0.01U	3		C2763	ECEAOJU470	E.CAPACITOR 6.3V 47U	1	
C2235	ECUM1H820JCN	C.CAPACITOR CH 50V 82P	1		C2764	ECEAOJU220	E.CAPACITOR 6.3V 22U	1	
C2236	ECQB1H333JF	P.CAPACITOR 50V 0.033U	1		C2765	ECUM1H221JCN	C.CAPACITOR CH 50V 220P	1	
C2237,38	ECEAOJU470	E.CAPACITOR 6.3V 47U	2		C2766	ECEA1HNR2S	E.CAPACITOR 50V 2.2U	1	
C2239-41	ECUM1H103ZFN	C.CAPACITOR 50V 0.01U	3		C2767	ECUM1H101JCN	C.CAPACITOR CH 50V 100P	1	
C2243	ECUM1H103ZFN	C.CAPACITOR 50V 0.01U	1		C2768	ECEA1HU2R2	E.CAPACITOR 50V 2.2U	1	
C2244	ECEA1CU100	E.CAPACITOR 16V 10U	1		C2769,70	ECUM1H102JN	C.CAPACITOR CH 50V 1000P	2	
C2245-47	ECUM1H103ZFN	C.CAPACITOR 50V 0.01U	3		C2793	ECEA1HU4R7	E.CAPACITOR 50V 4.7U	1	
C2318,19	ECEAOJU470	E.CAPACITOR 6.3V 47U	2		C2804,05	ECEA1EU472	E.CAPACITOR 25V 4700U	2	
C2320	ECUM1H222KBN	C.CAPACITOR CH 50V 2200P	1		C2806	ECEA1HU4R7	E.CAPACITOR 50V 4.7U	1	
C2321	ECUM1H103ZFN	C.CAPACITOR 50V 0.01U	1		C60001	ECUM1H103ZFN	C.CAPACITOR 50V 0.01U	1	
C2322	ECEA1HNR47S	E.CAPACITOR 50V 4.7U	1		C60002,03	ECEA1CU102	E.CAPACITOR 16V 1000U	2	
C2323	ECUM1H561JCN	C.CAPACITOR CH 50V 560P	1		C60005	ECEAOJU332	E.CAPACITOR 6.3V 3300U	1	
C2327,28	ECEAOJU470	E.CAPACITOR 6.3V 47U	2		C60006	ECUM1H103ZFN	C.CAPACITOR 50V 0.01U	1	
C2330	ECQP1H103JZ	P.CAPACITOR 50V 0.01U	1		C60007	ECEA1HU010	E.CAPACITOR 50V 1U	1	
C2331	ECQB1H104JF	P.CAPACITOR 50V 0.1U	1		C60008	ECEAOJU470	E.CAPACITOR 6.3V 47U	1	
C2335,36	ECEAOJU470	E.CAPACITOR 6.3V 47U	2		C60009	ECEAOJU332	E.CAPACITOR 6.3V 3300U	1	
C2338	ECQB1H103JF	P.CAPACITOR 50V 0.01U	1		C60010	ECQB1H333JF	P.CAPACITOR 50V 0.033U	1	
C2339	ECUM1H331JCN	C.CAPACITOR CH 50V 330P	1		C60011	ECQB1H472JF	P.CAPACITOR 50V 4700P	1	
C2340-44	ECUM1H103ZFN	C.CAPACITOR 50V 0.01U	5		C60012	ECQB1H103JF	P.CAPACITOR 50V 0.01U	1	
C2350	ECEA1CU470	E.CAPACITOR 16V 47U	1		C60013	ECEA1CU100	E.CAPACITOR 16V 10U	1	
C2351	ECUM1H103ZFN	C.CAPACITOR 50V 0.01U	1		C60016	ECUM1H221JCN	C.CAPACITOR CH 50V 220P	1	
C2352,53	ECEA1CU470	E.CAPACITOR 16V 47U	2		C60017	ECUM1H103ZFN	C.CAPACITOR 50V 0.01U	1	
C2354	ECUM1H103ZFN	C.CAPACITOR 50V 0.01U	1		C60018,19	ECUM1H330JCN	C.CAPACITOR CH 50V 33P	2	
C2355	ECEA1HU010	E.CAPACITOR 50V 1U	1		C60020	ECEA1HU010	E.CAPACITOR 50V 1U	1	
C2401,02	ECUM1H103ZFN	C.CAPACITOR 50V 0.01U	2		C60021	ECEA1HU4R7	E.CAPACITOR 50V 4.7U	1	
C2403	ECEA1CU470	E.CAPACITOR 16V 47U	1		C60022	ECEA1AU220	E.CAPACITOR 10V 22U	1	
C2404,05	ECUM1H330JCN	C.CAPACITOR CH 50V 33P	2		C60023	ECUM1E104ZFN	C.CAPACITOR CH 25V 0.1U	1	
C2406-09	ECUM1H103ZFN	C.CAPACITOR 50V 0.01U	4		C60024	ECEAOJU682	E.CAPACITOR 6.3V 6800U	1	
C2410	ECEAOJU470	E.CAPACITOR 6.3V 47U	1		C60026	ECUM1H104ZFN	C.CAPACITOR 50V 0.1U	1	
C2501	ECQB1H473JF	P.CAPACITOR 50V 0.047U	1		C60027	ECUM1H103ZFN	C.CAPACITOR 50V 0.01U	1	
C2502	ECQB1H222JF	P.CAPACITOR 50V 2200P	1		C60101	ECUM1H103ZFN	C.CAPACITOR 50V 0.01U	1	
C2503	ECQB1H273JF	P.CAPACITOR 50V 0.027U	1		C60102	ECEA1CU470	E.CAPACITOR 16V 47U	1	
C2504	ECQB1H222JF	P.CAPACITOR 50V 2200P	1		C60103-06	ECQB1H102JF	P.CAPACITOR 50V 1000P	4	
C2510	ECEA1CU470	E.CAPACITOR 16V 47U	1		C60107	ECUM1H151JCN	C.CAPACITOR CH 50V 150P	1	
C2512-14	ECUM1H103ZFN	C.CAPACITOR 50V 0.01U	3		C60108	ECEA1CU221	E.CAPACITOR 16V 220U	1	
C2516-19	ECUM1H103ZFN	C.CAPACITOR 50V 0.01U	4		C60109	ECUM1H103ZFN	C.CAPACITOR 50V 0.01U	1	
C2701	ECEA1CU101	E.CAPACITOR 16V 100U	1		C60110,11	ECEA1CU100	E.CAPACITOR 16V 10U	2	
C2702	ECUM1H820JCN	C.CAPACITOR CH 50V 82P	1		C60112	ECEA1CU470	E.CAPACITOR 16V 47U	1	
C2703	ECUM1H561JCN	C.CAPACITOR CH 50V 560P	1		C60501	ECEA1EU4R7	E.CAPACITOR 25V 4.7U	1	
C2704	ECUM1H271JCN	C.CAPACITOR CH 50V 270P	1		C60502	ECQB1H104JF	P.CAPACITOR 50V 0.1U	1	
C2705	ECEA1HU010	E.CAPACITOR 50V 1U	1		C60503	ECEA1HNO10S	E.CAPACITOR 50V 1U	1	
C2709	ECEA1HU010	E.CAPACITOR 50V 1U	1		C60504	ECUM1H103ZFN	C.CAPACITOR 50V 0.01U	1	
C2710	ECUM1H103ZFN	C.CAPACITOR 50V 0.01U	1		C60505	ECEA1EN101S	E.CAPACITOR 25V 100U	1	
C2711	ECQB1H222JF	P.CAPACITOR 50V 2200P	1		C60506	ECEA1CU101	E.CAPACITOR 16V 100U	1	
C2712	ECEA1EU221	E.CAPACITOR 25V 220U	1		C60507	ECEAOJU470	E.CAPACITOR 6.3V 47U	1	
C2714	ECQV1H474JZ	P.CAPACITOR 50V 0.47U	1		C60508,09	ECUM1H101JCN	C.CAPACITOR CH 50V 100P	2	
C2716,17	ECEA1EU101	E.CAPACITOR 25V 100U	2						
C2718	ECQV1H474JZ	P.CAPACITOR 50V 0.47U	1						
C2722	ECUM1H102JN	C.CAPACITOR CH 50V 1000P	1						
C2723	ECEA1EU221	E.CAPACITOR 25V 220U	1		D1502-04	MA151K	DIODE	3	<R>
C2724	ECUM1H102JN	C.CAPACITOR CH 50V 1000P	1		D1505	MA701A	DIODE	1	<R>
C2725	ECEA1EU221	E.CAPACITOR 25V 220U	1		D1507	MA151K	DIODE	1	<R>
C2726	ECEAOJU470	E.CAPACITOR 6.3V 47U	1		D1508	MA3020	DIODE	1	<R>
C2727-30	ECQV1H104JZ	P.CAPACITOR 50V 0.1U	4		D1509	8P2M	DIODE	1	<R>
C2731-33	ECEA1HNR47S	E.CAPACITOR 50V 4.7U	3		D1510	MA165VT	DIODE	1	<R>
C2734	ECQB1H473JF	P.CAPACITOR 50V 0.047U	1		D1511	MA151K	DIODE	1	<R>



Ref.No.	Part No.	Part Name & Description	Pcs	Remarks	Ref.No.	Part No.	Part Name & Description	Pcs	Remarks
D1512	VSD0002	DIODE	1	<R>	IC2006	TC4530F	IC	1	<R>
D1513	AK04	DIODE	1	<R>	IC2007,08	MN53015VZW	IC	2	<R>
D1514	MA1270-M	DIODE	1	<R>	IC2009	TC4W53F	IC	1	<R>
D1515	MA185	DIODE	1	<R>	IC2010	LM339NS	IC	1	<R>
D1516	MA4075M	DIODE	1	<R>	IC2012	MC74HCU04F	IC	1	<R>
D1517	MA4130M	DIODE	1	<R>	IC2013	LM358PS	IC	1	<R>
D1518	MA4120-M	DIODE	1	<R>	IC2014	TC7S32F	IC	1	<R>
D1519,20	MA151K	DIODE	2	<R>	IC2201	MN19041VMCX	IC	1	<R>
D1522	MA3160-L	DIODE	1	<R>	IC2202	L7A0269	IC	1	<R>
D1523	11EQS04	DIODE	1	<R>	IC2203	PCM55HP	IC	1	<R>
D1524	MA4047M	DIODE	1	<R>	IC2206	MC14050BF	IC	1	<R>
D1525,26	MA723VT	DIODE	2	<R>	IC2207	LM358PS	IC	1	<R>
D1528	MA4056M	DIODE	1	<R>	IC2302	NJM4556MB	IC	1	<R>
D1529	MA165VT	DIODE	1	<R>	IC2303	LM358PS	IC	1	<R>
D1530	MA4075M	DIODE	1	<R>	IC2304	LM393PS	IC	1	<R>
D1531	MA151K	DIODE	1	<R>	IC2305	MC14053BF	IC	1	<R>
D1532	MA3068M	DIODE	1	<R>	IC2310	BA6302AF	IC	1	<R>
D1541	MA3091-M	DIODE	1	<R>	IC2311	MC14053BF	IC	1	<R>
D1542	MA4039	DIODE	1	<R>	IC2312	MC14013BF	IC	1	<R>
D1543,44	MA151K	DIODE	2	<R>	IC2401	MC14013BF	IC	1	<R>
D2001	MA151K	DIODE	1	<R>	IC2402	TC4W53F	IC	1	<R>
D2002	MA151WA	DIODE	1	<R>	IC2403,04	TC7S02F	IC	2	<R>
D2003	MA151K	DIODE	1	<R>	IC2405	TC7S08F	IC	1	<R>
D2006	MA151WA	DIODE	1	<R>	IC2406	M50927-531SP	IC	1	<R>
D2007,08	MA151K	DIODE	2	<R>	IC2501,02	LM324NS	IC	2	<R>
D2308	MA151K	DIODE	1	<R>	IC2503	LM393PS	IC	1	<R>
D2309	MA151WK	DIODE	1	<R>	IC2505	MC14053BF	IC	1	<R>
D2310	MA153	DIODE	1	<R>	IC2506	MC14052BF	IC	1	<R>
D2401	MA151K	DIODE	1	<R>	IC2507	MC14053BF	IC	1	<R>
D2501,02	MA151K	DIODE	2	<R>	IC2701	BA6149LS	IC	1	<R>
D2701	MA4180-L	DIODE	1	<R>	IC2703	AN3815K	IC	1	<R>
D2703	MA4160-L	DIODE	1	<R>	IC2704	XRA6435S	IC	1	<R>
D2704	11DQ04	DIODE	1	<R>	IC2705	LM393PS	IC	1	<R>
D2705	MA151K	DIODE	1	<R>	IC2706	LM358PS	IC	1	<R>
D2715,16	11DQ04	DIODE	2	<R>	IC2707	LM393PS	IC	1	<R>
D2717-19	11EQS04	DIODE	3	<R>	IC2708	LM358PS	IC	1	<R>
D2720	MA153	DIODE	1	<R>	IC2709	LM393PS	IC	1	<R>
D2721	11EQS04	DIODE	1	<R>	IC2710,11	UPC4556G2	IC	2	<R>
D2722	MA153	DIODE	1	<R>	IC2715	AN78N12	IC	1	<R>
D2723	11EQS04	DIODE	1	<R>	IC60001	TD62503F	IC	1	<R>
D2727	11EQS04	DIODE	1	<R>	IC60002	MN188166VCTG	IC	1	<R>
D2734,35	MA4160-L	DIODE	2	<R>	IC60003	MN1382-R	IC	1	<R>
D2736-38	MA4160-M	DIODE	3	<R>	IC60101	LM324NS	IC	1	<R>
D2741,42	MA4062M	DIODE	2	<R>	IC60501	LM393PS	IC	1	<R>
D2743	MA723VT	DIODE	1	<R>	IC60502	M54649L	IC	1	<R>
D60001	11EQS04	DIODE	1	<R>	IC60503	MN1382-R	IC	1	<R>
D60002	MA170	DIODE	1	<R>					
D60003-06	11EQS04	DIODE	4	<R>					
D60008	MA3043-M	DIODE	1	<R>					
D60009	11E51	DIODE	1	<R>	J2002-04	ERJ6GEY0R00	M.RESISTOR CH 1/10W	0	3
D60501,02	MA151K	DIODE	2	<R>	J2202	ERJ6GEY0R00	M.RESISTOR CH 1/10W	0	1
D60503	10E1	DIODE	1	<R>	J2204,05	ERJ6GEY0R00	M.RESISTOR CH 1/10W	0	2
D60504	MA151K	DIODE	1	<R>	J2207-12	ERJ6GEY0R00	M.RESISTOR CH 1/10W	0	6
D60505	MA170	DIODE	1	<R>	J60001	ERJ6GEY0R00	M.RESISTOR CH 1/10W	0	1
D60506	MA151K	DIODE	1	<R>	J60003	ERJ6GEY0R00	M.RESISTOR CH 1/10W	0	1
					J60005,06	ERJ6GEY0R00	M.RESISTOR CH 1/10W	0	2
FA2202	VLF1036D101	FILTER	1		K1501	ERJ6GEY0R00	M.RESISTOR CH 1/10W	0	1
					K1502	ERDS2T0	C.RESISTOR 1/4W	0	1
FL2201-06	VLF0634	FILTER	6						
FL60001	VLF0630	FILTER	1						
IC1501	LM393PS	IC	1	<R>	L1501	VLQEL06R101K	COIL		1
IC1502	AN7912F	IC	1	<R>	L1502,03	VL P0074	COIL		2
IC1503	AN7905F	IC	1	<R>	L2001,02	VLQEL05S470J	COIL	47UH	2
IC1505,06	TL431CLP	IC	2	<R>	L2004-06	VLQEL05S470J	COIL	47UH	3
IC2001	MN6742VMEP	IC	1	<R>	L2007	VL P0054	COIL		1
IC2002	MN1382-R	IC	1	<R>	L2008	VLQEL05S470J	COIL	47UH	1
IC2003	BA226F	IC	1	<R>	L2201,02	VLQEL05S2R2K	COIL	2.2UH	2
IC2004	MC14052BF	IC	1	<R>	L2203-05	VL P0054	COIL		3
					L2206,07	VLQEL05S2R2K	COIL	2.2UH	2
					L2208	VLQEL05S470J	COIL	47UH	1
					L2301-04	VLQEL05S470J	COIL	47UH	4



Ref.No.	Part No.	Part Name & Description	Pcs	Remarks	Ref.No.	Part No.	Part Name & Description	Pcs	Remarks
R2201	ERJ6GEYJ105	M.RESISTOR CH 1/10W 1M	1		R2712	ERJ6GEYJ104	M.RESISTOR CH 1/10W 100K	1	
R2202	ERJ6GEYJ101	M.RESISTOR CH 1/10W 100	1		R2713	ERJ6GEYJ222	M.RESISTOR CH 1/10W 2.2K	1	
R2203	ERJ6GEYJ331	M.RESISTOR CH 1/10W 330	1		R2714-17	ERJ6GEYJ103	M.RESISTOR CH 1/10W 10K	4	
R2205,06	ERJ6GEYJ473	M.RESISTOR CH 1/10W 47K	2		R2718	ERG2SJ561	M.RESISTOR 2W 560	1	
R2207	ERJ6GEYJ103	M.RESISTOR CH 1/10W 10K	1		R2719	ERDS2TJ270	C.RESISTOR 1/4W 27	1	
R2208	ERJ6GEYG104	M.RESISTOR CH 1/10W 100K	1		R2725	ERJ6GEYJ334	M.RESISTOR CH 1/10W 330K	1	
R2211	ERJ6GEYG473	M.RESISTOR CH 1/10W 47K	1		R2727	ERDS2TJ150	C.RESISTOR 1/4W 15	1	
R2212	ERJ6GEYJ103	M.RESISTOR CH 1/10W 10K	1		R2729	ERJ6GEYJ102	M.RESISTOR CH 1/10W 1K	1	
R2213-18	ERJ6GEYJ101	M.RESISTOR CH 1/10W 100	6		R2730	ERDS2TJ182	C.RESISTOR 1/4W 1.8K	1	
R2220-23	ERJ6GEYJ101	M.RESISTOR CH 1/10W 100	4		R2731	ERJ6GEYJ103	M.RESISTOR CH 1/10W 10K	1	
R2240	ERJ6GEYG473	M.RESISTOR CH 1/10W 47K	1		R2732	ERJ6GEYG153	M.RESISTOR CH 1/10W 15K	1	
R2241	ERJ6GEYG104	M.RESISTOR CH 1/10W 100K	1		R2733	ERDS2TJ182	C.RESISTOR 1/4W 1.8K	1	
R2242	ERJ6GEYJ101	M.RESISTOR CH 1/10W 100	1		R2734	ERDS2TJ391	C.RESISTOR 1/4W 390	1	
R2331	ERJ6GEYJ222	M.RESISTOR CH 1/10W 2.2K	1		R2735	ERJ6GEYJ103	M.RESISTOR CH 1/10W 10K	1	
R2332	ERJ6GEYJ683	M.RESISTOR CH 1/10W 68K	1		R2736	ERJ6GEYG153	M.RESISTOR CH 1/10W 15K	1	
R2333	ERJ6GEYJ101	M.RESISTOR CH 1/10W 100	1		R2738,39	ERDS2TJ150	C.RESISTOR 1/4W 15	2	
R2334	ERJ6GEYJ104	M.RESISTOR CH 1/10W 100K	1		R2740	ERX12SJR68	M.RESISTOR CH 1/2W 0.68	1	
R2335	ERJ6GEYG333	M.RESISTOR CH 1/10W 33K	1		R2743	ERJ6GEYJ122	M.RESISTOR CH 1/10W 1.2K	1	
R2336	ERJ6GEYJ822	M.RESISTOR CH 1/10W 8.2K	1		R2747	ERJ6GEYJ103	M.RESISTOR CH 1/10W 10K	1	
R2337	ERJ6GEYG242	M.RESISTOR CH 1/10W 2.4K	1		R2748	ERJ6GEYJ124	M.RESISTOR CH 1/10W 120K	1	
R2338	ERJ6GEYJ822	M.RESISTOR CH 1/10W 8.2K	1		R2751	ERJ6GEYJ102	M.RESISTOR CH 1/10W 1K	1	
R2339	ERJ6GEYJ104	M.RESISTOR CH 1/10W 100K	1		R2752-54	ERDS2TJ330	C.RESISTOR 1/4W 33	3	
R2340,41	ERJ6GEYJ392	M.RESISTOR CH 1/10W 3.9K	2		R2755	ERX12SJR47	M.RESISTOR CH 1/2W 0.47	1	
R2342	ERJ6GEYJ681	M.RESISTOR CH 1/10W 680	1		R2756	ERJ6GEYJ330	M.RESISTOR CH 1/10W 33	1	
R2343	ERJ6GEYJ473	M.RESISTOR CH 1/10W 47K	1		R2757	ERJ6GEYJ103	M.RESISTOR CH 1/10W 10K	1	
R2344	ERJ6GEYJ563	M.RESISTOR CH 1/10W 56K	1		R2758	ERJ6GEYJ224	M.RESISTOR CH 1/10W 220K	1	
R2345	ERJ6GEYG153	M.RESISTOR CH 1/10W 15K	1		R2759	ERJ6GEYJ223	M.RESISTOR CH 1/10W 22K	1	
R2346	ERJ6GEYJ563	M.RESISTOR CH 1/10W 56K	1		R2760	ERJ6GEYJ184	M.RESISTOR CH 1/10W 180K	1	
R2347	ERJ6GEYJ124	M.RESISTOR CH 1/10W 120K	1		R2761,62	ERJ6GEYJ103	M.RESISTOR CH 1/10W 10K	2	
R2352	ERJ6GEYJ752	M.RESISTOR CH 1/10W 7.5K	1		R2763,64	ERJ6GEYJ473	M.RESISTOR CH 1/10W 47K	2	
R2353,54	ERJ6GEYJ103	M.RESISTOR CH 1/10W 10K	2		R2765	ERJ6GEYJ103	M.RESISTOR CH 1/10W 10K	1	
R2355	ERJ6GEYJ752	M.RESISTOR CH 1/10W 7.5K	1		R2766	ERJ6GEYJ224	M.RESISTOR CH 1/10W 220K	1	
R2356	ERJ6GEYJ104	M.RESISTOR CH 1/10W 100K	1		R2767	ERJ6GEYJ223	M.RESISTOR CH 1/10W 22K	1	
R2357,58	ERJ6GEYJ272	M.RESISTOR CH 1/10W 2.7K	2		R2768	ERJ6GEYJ184	M.RESISTOR CH 1/10W 180K	1	
R2359	ERJ6GEYJ104	M.RESISTOR CH 1/10W 100K	1		R2769,70	ERJ6GEYJ103	M.RESISTOR CH 1/10W 10K	2	
R2360,61	ERJ6GEYJ222	M.RESISTOR CH 1/10W 2.2K	2		R2771,72	ERJ6GEYJ473	M.RESISTOR CH 1/10W 47K	2	
R2362	ERJ6GEYG472	M.RESISTOR CH 1/10W 4.7K	1		R2773,74	ERJ6GEYJ103	M.RESISTOR CH 1/10W 10K	2	
R2363	ERJ6GEYG153	M.RESISTOR CH 1/10W 15K	1		R2775	ERJ6GEYJ473	M.RESISTOR CH 1/10W 47K	1	
R2364	ERJ6GEYG913	M.RESISTOR CH 1/10W 91K	1		R2776	ERJ6GEYG472	M.RESISTOR CH 1/10W 4.7K	1	
R2370,71	ERJ6GEYJ103	M.RESISTOR CH 1/10W 10K	2		R2777	ERJ6GEYJ334	M.RESISTOR CH 1/10W 330K	1	
R2372	ERJ6GEYG153	M.RESISTOR CH 1/10W 15K	1		R2778-82	ERJ6GEYJ103	M.RESISTOR CH 1/10W 10K	5	
R2373	ERDS2TJ122	C.RESISTOR 1/4W 1.2K	1		R2783	ERJ6GEYJ224	M.RESISTOR CH 1/10W 220K	1	
R2374	ERJ6GEYG472	M.RESISTOR CH 1/10W 4.7K	1		R2784	ERJ6GEYJ103	M.RESISTOR CH 1/10W 10K	1	
R2375	ERJ6GEYJ562	M.RESISTOR CH 1/10W 5.6K	1		R2785	ERJ6GEYJ224	M.RESISTOR CH 1/10W 220K	1	
R2376	ERJ6GEYJ561	M.RESISTOR CH 1/10W 560	1		R2786,87	ERJ6GEYJ103	M.RESISTOR CH 1/10W 10K	2	
R2377	ERJ6GEYJ473	M.RESISTOR CH 1/10W 47K	1		R2788	ERJ6GEYJ473	M.RESISTOR CH 1/10W 47K	1	
R2378	ERJ6GEYJ154	M.RESISTOR CH 1/10W 150K	1		R2789	ERJ6GEYG472	M.RESISTOR CH 1/10W 4.7K	1	
R2379	ERJ6GEYJ104	M.RESISTOR CH 1/10W 100K	1		R2790	ERJ6GEYG333	M.RESISTOR CH 1/10W 33K	1	
R2380	ERJ6GEYJ101	M.RESISTOR CH 1/10W 100	1		R2791	ERJ6GEYJ332	M.RESISTOR CH 1/10W 3.3K	1	
R2381	ERDS2TJ122	C.RESISTOR 1/4W 1.2K	1		R2792	ERJ6GEYJ103	M.RESISTOR CH 1/10W 10K	1	
R2401	ERJ6GEYJ332	M.RESISTOR CH 1/10W 3.3K	1		R2793	ERJ6GEYJ473	M.RESISTOR CH 1/10W 47K	1	
R2402,03	ERJ6GEYJ104	M.RESISTOR CH 1/10W 100K	2		R2794	ERJ6GEYG472	M.RESISTOR CH 1/10W 4.7K	1	
R2404,05	ERJ6GEYJ473	M.RESISTOR CH 1/10W 47K	2		R2795	ERJ6GEYG333	M.RESISTOR CH 1/10W 33K	1	
R2406	ERJ6GEYJ105	M.RESISTOR CH 1/10W 1M	1		R2796	ERJ6GEYJ332	M.RESISTOR CH 1/10W 3.3K	1	
R2407,08	ERJ6GEYJ473	M.RESISTOR CH 1/10W 47K	2		R2799,00	ERJ6GEYOR00	M.RESISTOR CH 1/10W 0	2	
R2409	ERJ6GEYJ104	M.RESISTOR CH 1/10W 100K	1		R2803	ERG2SJ221	M.RESISTOR 2W 220	1	
R2410	ERJ6GEYJ473	M.RESISTOR CH 1/10W 47K	1		R2821	ERDS2TJ682	C.RESISTOR 1/4W 6.8K	1	
R2411	ERJ6GEYOR00	M.RESISTOR CH 1/10W 0	1		R2828,29	ERJ6GEYJ104	M.RESISTOR CH 1/10W 100K	2	
R2501	ERJ6GEYJ682	M.RESISTOR CH 1/10W 6.8K	1		R2830	ERDS2TJ391	C.RESISTOR 1/4W 390	1	
R2502	ERJ6GEYJ334	M.RESISTOR CH 1/10W 330K	1		R2831	ERDS2TJ561	C.RESISTOR 1/4W 560	1	
R2503	ERJ6GEYJ274	M.RESISTOR CH 1/10W 270K	1		R2832	ERDS2TJ562	C.RESISTOR 1/4W 5.6K	1	
R2504	ERJ6GEYJ123	M.RESISTOR CH 1/10W 12K	1		R2833	ERDS2TJ391	C.RESISTOR 1/4W 390	1	
R2505	ERJ6GEYJ334	M.RESISTOR CH 1/10W 330K	1		R2834	ERDS2TJ182	C.RESISTOR 1/4W 1.8K	1	
R2506	ERJ6GEYJ154	M.RESISTOR CH 1/10W 150K	1		R2835	ERJ6GEYJ471	M.RESISTOR CH 1/10W 470	1	
R2507-10	ERJ6GEYG104	M.RESISTOR CH 1/10W 100K	4		R2836	ERJ6GEYJ103	M.RESISTOR CH 1/10W 10K	1	
R2511-15	ERJ6GEYJ104	M.RESISTOR CH 1/10W 100K	5		R2838,39	ERJ6GEYJ103	M.RESISTOR CH 1/10W 10K	2	
R2516	ERJ6GEYG393	M.RESISTOR CH 1/10W 39K	1		R2840	ERJ6GEYJ222	M.RESISTOR CH 1/10W 2.2K	1	
R2517	ERJ6GEYG223	M.RESISTOR CH 1/10W 22K	1		R2841	ERJ6GEYJ104	M.RESISTOR CH 1/10W 100K	1	
R2518-20	ERJ6GEYG124	M.RESISTOR CH 1/10W 120K	3		R2842,43	ERJ6GEYJ103	M.RESISTOR CH 1/10W 10K	2	
R2521	ERJ6GEYG154	M.RESISTOR CH 1/10W 150K	1		R2844	ERJ6GEYJ222	M.RESISTOR CH 1/10W 2.2K	1	
R2522	ERJ6GEYJ104	M.RESISTOR CH 1/10W 100K	1		R2845	ERJ6GEYJ104	M.RESISTOR CH 1/10W 100K	1	
R2523,24	ERJ6GEYJ102	M.RESISTOR CH 1/10W 1K	2		R2846-48	ERJ6GEYJ271	M.RESISTOR CH 1/10W 270	3	
R2701	ERJ6GEYJ563	M.RESISTOR CH 1/10W 56K	1		R2849	ERJ6GEYOR00	M.RESISTOR CH 1/10W 0	1	
R2709,10	ERJ6GEYJ103	M.RESISTOR CH 1/10W 10K	2		R2850	ERDS2TJ102	C.RESISTOR 1/4W 1K	1	
R2711	ERJ6GEYJ154	M.RESISTOR CH 1/10W 150K	1		R2862,63	ERJ6GEYJ332	M.RESISTOR CH 1/10W 3.3K	2	

Ref.No.	Part No.	Part Name & Description	Pcs	Remarks	Ref.No.	Part No.	Part Name & Description	Pcs	Remarks
R60001	ERJ6GEYJ103	M.RESISTOR CH 1/10W 10K	1						
R60002	ERD2FCG220	C.RESISTOR 2W 22	1	<I>					
R60003	ERJ6GEYJ103	M.RESISTOR CH 1/10W 10K	1		VR2001	EVN32CA00B54	V.RESISTOR 50K	1	
R60004	ERJ6GEYJ183	M.RESISTOR CH 1/10W 18K	1		VR2003	EVN32CA00B15	V.RESISTOR 100K	1	
R60005	ERJ6GEYJ272	M.RESISTOR CH 1/10W 2.7K	1						
R60006	ERJ6GEYJ103	M.RESISTOR CH 1/10W 10K	1						
R60007	ERJ6GEYJ272	M.RESISTOR CH 1/10W 2.7K	1						
R60008	ERJ6GEYJ103	M.RESISTOR CH 1/10W 10K	1		X2001	VSX0296	CRYSTAL OSCILLATOR	1	<R>
R60009	ERJ6GEYJ183	M.RESISTOR CH 1/10W 18K	1		X2002	VSX0066	CRYSTAL OSCILLATOR	1	<R>
R60010	ERJ6GEYJ471	M.RESISTOR CH 1/10W 470	1		X2201	VSX0197	CRYSTAL OSCILLATOR	1	<R>
R60011	ERJ6GEYJ104	M.RESISTOR CH 1/10W 100K	1		X2401	VSX0086	CRYSTAL OSCILLATOR	1	<R>
R60012	ERJ6GEYJ473	M.RESISTOR CH 1/10W 47K	1		X2701	VSX0136	CRYSTAL OSCILLATOR	1	<R>
R60013	ERJ6GEYJ471	M.RESISTOR CH 1/10W 470	1		X60001	VSX0230	CRYSTAL OSCILLATOR	1	<R>
R60015	ERJ6GEYJ103	M.RESISTOR CH 1/10W 10K	1						
R60016	ERJ6GEYJ272	M.RESISTOR CH 1/10W 2.7K	1						
R60017, 18	ERJ6GEYJ103	M.RESISTOR CH 1/10W 10K	2						
R60019	ERDS2TJ472	C.RESISTOR 1/4W 4.7K	1				MISCELLANEOUS		
R60020	ERDS2TJ471	C.RESISTOR 1/4W 470	1		E43	VMX0985	SPACER	2	
R60021-24	ERJ6GEYJ103	M.RESISTOR CH 1/10W 10K	4		E52	XYN3+F8	SCREW	2	
R60025	ERDS2TJ333	C.RESISTOR 1/4W 33K	1		E80	VSC4042	HEAT SINK	2	
R60026-29	ERJ6GEYJ103	M.RESISTOR CH 1/10W 10K	4		E82	VMC0493	HEAT SINK SPRING	1	
R60030	ERJ6GEYJ102	M.RESISTOR CH 1/10W 1K	1		E84	VMC0075	HEAT SINK SPRING	1	
R60031	ERJ6GEYJ103	M.RESISTOR CH 1/10W 10K	1		E83	VSC1215	HEAT SINK	1	
R60032-35	ERJ6GEYJ473	M.RESISTOR CH 1/10W 47K	4		E42	VJF0816	CORD CLAMPER	1	
R60037	ERD2FCJ477	C.RESISTOR 2W 4.7	1	<I>		VWJ18AW105M1	FLEXIBLE WIRE	1	
R60038	ERJ6GEYJ103	M.RESISTOR CH 1/10W 10K	1			VWJ04CN150CA	FLAT CABLE	1	
R60039	ERJ6GEYJ103	M.RESISTOR CH 1/10W 47K	1		E81	VSC1689	HEAT SINK	1	
R60040	ERJ6GEYJ101	M.RESISTOR CH 1/10W 100	1						
R60043, 44	ERJ6GEYJ472	M.RESISTOR CH 1/10W 4.7K	2						
R60045	ERJ6GEYJ103	M.RESISTOR CH 1/10W 10K	1						
R60047	ERG1SJ330	M.RESISTOR 1W 33	1						
R60048, 49	ERJ6GEYJ101	M.RESISTOR CH 1/10W 100	2						
R60050	ERJ6GEYOR00	M.RESISTOR CH 1/10W 0	1						
R60055	ERJ6GEYJ103	M.RESISTOR CH 1/10W 10K	1						
R60056	ERJ6GEYJ473	M.RESISTOR CH 1/10W 47K	1						
R60057	ERJ6GEYJ822	M.RESISTOR CH 1/10W 8.2K	1						
R60058	ERJ6GEYJ393	M.RESISTOR CH 1/10W 39K	1						
R60059	ERJ6GEYJ103	M.RESISTOR CH 1/10W 10K	1						
R60060	ERJ6GEYJ684	M.RESISTOR CH 1/10W 680K	1						
R60101	ERJ6GEYJ102	M.RESISTOR CH 1/10W 1K	1						
R60102	ERJ6GEYJ302	M.RESISTOR CH 1/10W 3K	1						
R60103-05	ERJ6GEYJ102	M.RESISTOR CH 1/10W 1K	3						
R60106	ERJ6GEYJ273	M.RESISTOR CH 1/10W 27K	1						
R60107	ERJ6GEYJ823	M.RESISTOR CH 1/10W 82K	1						
R60108-11	ERJ6GEYJ103	M.RESISTOR CH 1/10W 10K	4						
R60501	ERJ6GEYJ222	M.RESISTOR CH 1/10W 2.2K	1						
R60502, 03	ERJ6GEYJ153	M.RESISTOR CH 1/10W 15K	2						
R60504	ERJ6GEYJ181	M.RESISTOR CH 1/10W 180	1						
R60505	ERJ6GEYJ122	M.RESISTOR CH 1/10W 1.2K	1						
R60506	ERJ6GEYJ182	M.RESISTOR CH 1/10W 1.8K	1						
R60507, 08	ERJ6GEYJ222	M.RESISTOR CH 1/10W 2.2K	2						
R60509	ERJ6GEYJ681	M.RESISTOR CH 1/10W 680	1						
R60510, 11	ERJ6GEYJ272	M.RESISTOR CH 1/10W 2.7K	2						
R60512	ERJ6GEYJ102	M.RESISTOR CH 1/10W 1K	1						
R60513	ERJ6GEYJ121	M.RESISTOR CH 1/10W 120	1						
R60514	ERJ6GEYJ183	M.RESISTOR CH 1/10W 18K	1						
R60515	ERJ6GEYJ474	M.RESISTOR CH 1/10W 470K	1						
R60516	ERJ6GEYJ682	M.RESISTOR CH 1/10W 6.8K	1						
R60517, 18	ERJ6GEYJ821	M.RESISTOR CH 1/10W 820	2						
R60519	ERJ6GEYJ181	M.RESISTOR CH 1/10W 180	1						
R60520, 21	ERJ6GEYJ682	M.RESISTOR CH 1/10W 6.8K	2						
R60522	ERJ6GEYJ562	M.RESISTOR CH 1/10W 5.6K	1						
R60523	ERJ6GEYJ332	M.RESISTOR CH 1/10W 3.3K	1						
R60524	ERJ6GEYJ103	M.RESISTOR CH 1/10W 10K	1						
R60525	ERDS2TJ151	C.RESISTOR 1/4W 150	1						
R60526	ERJ6GEYJ683	M.RESISTOR CH 1/10W 68K	1						
R60527, 28	ERG1SJ300	M.RESISTOR 1W 30	2						
R60529	ERJ6GEYJ682	M.RESISTOR CH 1/10W 6.8K	1						
R60530	ERJ6GEYJ473	M.RESISTOR CH 1/10W 47K	1						
T1501	ETE13K86AY	TRANSFORMER	1						
T60001	EIQ7QF002B	TRANSFORMER	1						

Ref.No.	Part No.	Part Name & Description	Pcs	Remarks	Ref.No.	Part No.	Part Name & Description	Pcs	Remarks
	VEPO6904F	P.C. BOARD W/COMPONENT SERVO & SYSCON		AG-8600E	C2207,08	ECUM1H103ZFN	C.CAPACITOR 50V 0.01U	2	
					C2209,10	ECUM1H220JCN	C.CAPACITOR CH 50V 22P	2	
					C2214	ECUM1H101JCN	C.CAPACITOR CH 50V 100P	1	
					C2215	ECUM1H103ZFN	C.CAPACITOR 50V 0.01U	1	
					C2216	ECEAOJU470	E.CAPACITOR 6.3V 47U	1	
					C2217,18	ECUM1H103ZFN	C.CAPACITOR 50V 0.01U	2	
					C2219	ECEAOJU470	E.CAPACITOR 6.3V 47U	1	
					C2220,21	ECUM1H103ZFN	C.CAPACITOR 50V 0.01U	2	
					C2222	ECEAOJU470	E.CAPACITOR 6.3V 47U	1	
					C2223,24	ECUM1H103ZFN	C.CAPACITOR 50V 0.01U	2	
					C2225	ECEAOJU470	E.CAPACITOR 6.3V 47U	1	
					C2226	ECUM1H103ZFN	C.CAPACITOR 50V 0.01U	1	
					C2227	ECEAOJU470	E.CAPACITOR 6.3V 47U	1	
					C2228-30	ECUM1H103ZFN	C.CAPACITOR 50V 0.01U	3	
					C2231	ECEAOJU470	E.CAPACITOR 6.3V 47U	1	
					C2232-34	ECUM1H103ZFN	C.CAPACITOR 50V 0.01U	3	
					C2235	ECUM1H820JCN	C.CAPACITOR CH 50V 82P	1	
					C2236	ECQB1H333JF	P.CAPACITOR 50V 0.033U	1	
					C2237,38	ECEAOJU470	E.CAPACITOR 6.3V 47U	2	
					C2239-41	ECUM1H103ZFN	C.CAPACITOR 50V 0.01U	3	
					C2243	ECUM1H103ZFN	C.CAPACITOR 50V 0.01U	1	
					C2244	ECEA1CU100	E.CAPACITOR 16V 10U	1	
					C2245-47	ECUM1H103ZFN	C.CAPACITOR 50V 0.01U	3	
					C2318,19	ECEAOJU470	E.CAPACITOR 6.3V 47U	2	
					C2320	ECUM1H222KBN	C.CAPACITOR CH 50V 2200P	1	
					C2321	ECUM1H103ZFN	C.CAPACITOR 50V 0.01U	1	
					C2322	ECEA1HN4R7S	E.CAPACITOR 50V 4.7U	1	
					C2323	ECUM1H561JCN	C.CAPACITOR CH 50V 560P	1	
					C2327,28	ECEAOJU470	E.CAPACITOR 6.3V 47U	2	
					C2330	ECQP1H103JZ	P.CAPACITOR 50V 0.01U	1	
					C2331	ECQB1H104JF	P.CAPACITOR 50V 0.1U	1	
					C2335,36	ECEAOJU470	E.CAPACITOR 6.3V 47U	2	
					C2338	ECQB1H103JF	P.CAPACITOR 50V 0.01U	1	
					C2339	ECUM1H331JCN	C.CAPACITOR CH 50V 330P	1	
					C2340-42	ECUM1H103ZFN	C.CAPACITOR 50V 0.01U	3	
					C2401,02	ECUM1H103ZFN	C.CAPACITOR 50V 0.01U	2	
					C2403	ECEA1CU470	E.CAPACITOR 16V 47U	1	
					C2404,05	ECUM1H330JCN	C.CAPACITOR CH 50V 33P	2	
					C2406-09	ECUM1H103ZFN	C.CAPACITOR 50V 0.01U	4	
					C2410	ECEAOJU470	E.CAPACITOR 6.3V 47U	1	
					C2501	ECQB1H473JF	P.CAPACITOR 50V 0.047U	1	
					C2502	ECQB1H222JF	P.CAPACITOR 50V 2200P	1	
					C2503	ECQB1H273JF	P.CAPACITOR 50V 0.027U	1	
					C2504	ECQB1H222JF	P.CAPACITOR 50V 2200P	1	
					C2510	ECEA1CU470	E.CAPACITOR 16V 47U	1	
					C2512-14	ECUM1H103ZFN	C.CAPACITOR 50V 0.01U	3	
					C2516-19	ECUM1H103ZFN	C.CAPACITOR 50V 0.01U	4	
					C2701	ECEA1CU101	E.CAPACITOR 16V 100U	1	
					C2702	ECUM1H820JCN	C.CAPACITOR CH 50V 82P	1	
					C2703	ECUM1H561JCN	C.CAPACITOR CH 50V 560P	1	
					C2704	ECUM1H271JCN	C.CAPACITOR CH 50V 270P	1	
					C2705	ECEA1HU010	E.CAPACITOR 50V 1U	1	
					C2709	ECEA1HU010	E.CAPACITOR 50V 1U	1	
					C2710	ECUM1H103ZFN	C.CAPACITOR 50V 0.01U	1	
					C2711	ECQB1H222JF	P.CAPACITOR 50V 2200P	1	
					C2712	ECEA1EU221	E.CAPACITOR 25V 220U	1	
					C2714	ECQV1H474JZ	P.CAPACITOR 50V 0.47U	1	
					C2716,17	ECEA1EU101	E.CAPACITOR 25V 100U	2	
					C2718	ECQV1H474JZ	P.CAPACITOR 50V 0.47U	1	
					C2722	ECUM1H102JN	C.CAPACITOR CH 50V 1000P	1	
					C2723	ECEA1EU221	E.CAPACITOR 25V 220U	1	
					C2724	ECUM1H102JN	C.CAPACITOR CH 50V 1000P	1	
					C2725	ECEA1EU221	E.CAPACITOR 25V 220U	1	
					C2726	ECEAOJU470	E.CAPACITOR 6.3V 47U	1	
					C2727-30	ECQV1H104JZ	P.CAPACITOR 50V 0.1U	4	
					C2731-33	ECEA1HN4R7S	E.CAPACITOR 50V 4.7U	3	
					C2734	ECQB1H473JF	P.CAPACITOR 50V 0.047U	1	
					C2735	ECEAOJU470	E.CAPACITOR 6.3V 47U	1	
					C2736	ECQB1H683JF	P.CAPACITOR 50V 0.068U	1	
					C2737	ECUM1H103ZFN	C.CAPACITOR 50V 0.01U	1	
					C2738	ECEA1CU470	E.CAPACITOR 16V 47U	1	
					C2739	ECEAOJU470	E.CAPACITOR 6.3V 47U	1	
					C2740	ECEA1EU470	E.CAPACITOR 25V 47U	1	
					C2741	ECUM1H333KBN	C.CAPACITOR CH 50V 0.033U	1	
					C2742	ECQB1H104JF	P.CAPACITOR 50V 0.1U	1	
C1501	ECEA1VGE220	E.CAPACITOR 35V 220U	1						
C1502	ECQV1H104JZ	P.CAPACITOR 50V 0.1U	1						
C1503	ECEA1DPS681	E.CAPACITOR 20V 680U	1						
C1504	ECQV1H104JZ	P.CAPACITOR 50V 0.1U	1						
C1505	ECEA1AGE221	E.CAPACITOR 10V 220U	1						
C1506	ECEA1CU101	E.CAPACITOR 16V 100U	1						
C1507	ECUM1H103ZFN	C.CAPACITOR 50V 0.01U	1						
C1508	ECQV1H104JZ	P.CAPACITOR 50V 0.1U	1						
C1509,10	ECEA1CU101	E.CAPACITOR 16V 100U	2						
C1511	ECEA1HU4R7	E.CAPACITOR 50V 4.7U	1						
C1512	ECEA1CU101	E.CAPACITOR 16V 100U	1						
C1513	ECQB1H103JF	P.CAPACITOR 50V 0.01U	1						
C1514	ECQB1H473JF	P.CAPACITOR 50V 0.047U	1						
C1515	ECUM1H222KBN	C.CAPACITOR 50V 0.022U	1						
C1517	ECEA1AU221	E.CAPACITOR 10V 220U	1						
C1518	ECEA1VU100	E.CAPACITOR 35V 10U	1						
C1519	ECEA1EGE470	E.CAPACITOR 25V 47U	1						
C1520	ECEA1EGE221	E.CAPACITOR 25V 220U	1						
C1521	ECEA1EGE470	E.CAPACITOR 25V 47U	1						
C1522	ECEA1GGE102	E.CAPACITOR 16V 1000U	1						
C1523	ECEA1EGE470	E.CAPACITOR 25V 47U	1						
C1524	ECEA1EGE221	E.CAPACITOR 25V 220U	1						
C1525	ECEA1AGE101	E.CAPACITOR 10V 100U	1						
C1526	ECEA1AGE471	E.CAPACITOR 10V 47U	1						
C1527	ECEA1EGE221	E.CAPACITOR 25V 220U	1						
C1529	ECEA1EGE471	E.CAPACITOR 25V 470U	1						
C1530	ECEA1VGE220	E.CAPACITOR 35V 220U	1						
C1531	ECAOJFQ102	E.CAPACITOR 6.3V 1000U	1						
C1532	ECEA1AGE221	E.CAPACITOR 10V 220U	1						
C1533	ECUM1H103ZFN	C.CAPACITOR 50V 0.01U	1						
C1534	ECEA1EGE221	E.CAPACITOR 25V 220U	1						
C1541	ECEA1AGE101	E.CAPACITOR 10V 100U	1						
C1542	ECUM1H103KBN	C.CAPACITOR CH 50V 0.01U	1						
C2001	ECEAOJU470	E.CAPACITOR 6.3V 47U	1						
C2002	ECUM1H150JCN	C.CAPACITOR CH 50V 15P	1						
C2003	ECUM1H181JCN	C.CAPACITOR CH 50V 180P	1						
C2004	ECUM1H101JCN	C.CAPACITOR CH 50V 100P	1						
C2005	ECUM1H103ZFN	C.CAPACITOR 50V 0.01U	1						
C2006	ECUM1E104ZFN	C.CAPACITOR CH 25V 0.1U	1						
C2007	ECEA1AU330	E.CAPACITOR 10V 33U	1						
C2008	ECQB1H683JF	P.CAPACITOR 50V 0.068U	1						
C2009	ECUM1H103ZFN	C.CAPACITOR 50V 0.01U	1						
C2010	ECEAOJU470	E.CAPACITOR 6.3V 47U	1						
C2011	ECEA1AU220	E.CAPACITOR 10V 22U	1						
C2012	ECEA1CU470	E.CAPACITOR 16V 47U	1						
C2013-15	ECUM1H103ZFN	C.CAPACITOR 50V 0.01U	3						
C2016,17	ECEAOJU470	E.CAPACITOR 6.3V 47U	2						
C2018	ECUM1H103ZFN	C.CAPACITOR 50V 0.01U	1						
C2019	ECEAOJU470	E.CAPACITOR 6.3V 47U	1						
C2020	ECUM1H103ZFN	C.CAPACITOR 50V 0.01U	1						
C2021	ECQB1H152JF	P.CAPACITOR 50V 1500P	1						
C2022	ECUM1H103ZFN	C.CAPACITOR 50V 0.01U	1						
C2023	ECQV1H184JZ	P.CAPACITOR 50V 0.18U	1						
C2025	ECUM1H103ZFN	C.CAPACITOR 50V 0.01U	1						
C2027	ECEAOJU470	E.CAPACITOR 6.3V 47U	1						
C2028	ECUM1H103ZFN	C.CAPACITOR 50V 0.01U	1						
C2029	ECUM1H330JCN	C.CAPACITOR CH 50V 33P	1						
C2030	ECUM1H220JCN	C.CAPACITOR CH 50V 22P	1						
C2031	ECUM1H1000CN	C.CAPACITOR CH 50V 10P	1						
C2032	ECEAOJU470	E.CAPACITOR 6.3V 47U	1						
C2033,34	ECEA1CU100	E.CAPACITOR 16V 10U	2						
C2035	ECEA1HUR47	E.CAPACITOR 50V 0.47U	1						
C2044,45	ECUM1H271JCN	C.CAPACITOR CH 50V 270P	2						
C2047	ECUM1E104ZFN	C.CAPACITOR CH 25V 0.1U	1						



Ref.No.	Part No.	Part Name & Description	Pcs	Remarks
IC2310	BA6302AF	IC	1	<R>
IC2401	MC14013BF	IC	1	<R>
IC2402	TC4W53F	IC	1	<R>
IC2406	M50927-531SP	IC	1	<R>
IC2501,02	LM324NS	IC	2	<R>
IC2503	LM393PS	IC	1	<R>
IC2505	MC14053BF	IC	1	<R>
IC2506	MC14052BF	IC	1	<R>
IC2507	MC14053BF	IC	1	<R>
IC2701	BA6149LS	IC	1	<R>
IC2703	AN3815K	IC	1	<R>
IC2704	XRA6435S	IC	1	<R>
IC2705	LM393PS	IC	1	<R>
IC2706	LM358PS	IC	1	<R>
IC2707	LM393PS	IC	1	<R>
IC2708	LM358PS	IC	1	<R>
IC2709	LM393PS	IC	1	<R>
IC2710,11	UPC4556G2	IC	2	<R>
IC2715	AN78N12	IC	1	<R>
IC60001	TD62503F	IC	1	<R>
IC60002	MN188166VCTG	IC	1	<R>
IC60003	MN1382-R	IC	1	<R>
IC60101	LM324NS	IC	1	<R>
IC60501	LM393PS	IC	1	<R>
IC60502	M54649L	IC	1	<R>
IC60503	MN1382-R	IC	1	<R>
J2002-04	ERJ6GEY0R00	M.RESISTOR CH 1/10W	0	3
J2202	ERJ6GEY0R00	M.RESISTOR CH 1/10W	0	1
J2204,05	ERJ6GEY0R00	M.RESISTOR CH 1/10W	0	2
J2207-12	ERJ6GEY0R00	M.RESISTOR CH 1/10W	0	6
J60001	ERJ6GEY0R00	M.RESISTOR CH 1/10W	0	1
J60003	ERJ6GEY0R00	M.RESISTOR CH 1/10W	0	1
J60005,06	ERJ6GEY0R00	M.RESISTOR CH 1/10W	0	2
K1501	ERJ6GEY0R00	M.RESISTOR CH 1/10W	0	1
K1502	ERDS2T0	C.RESISTOR 1/4W	0	1
L1501	VLQEL06R101K	COIL		1
L1502,03	VLP0074	COIL		2
L2001,02	VLQEL05S470J	COIL	47UH	2
L2004-06	VLQEL05S470J	COIL	47UH	3
L2007	VLP0054	COIL		1
L2008	VLQEL05S470J	COIL	47UH	1
L2201,02	VLQEL05S2R2K	COIL	2.2UH	2
L2203-05	VLP0054	COIL		3
L2206,07	VLQEL05S2R2K	COIL	2.2UH	2
L2208	VLQEL05S470J	COIL	47UH	1
L2301-03	VLQEL05S470J	COIL	47UH	3
L2401	VLQEL05S470J	COIL	47UH	1
L2502	VLQEL05S470J	COIL	47UH	1
L2701	VLQ0128	COIL	47UH	1
L2702-04	VLQ0129	COIL	300UH	3
L2705	VLQEL05S470J	COIL	47UH	1
L2707	VLQEL05S470J	COIL	47UH	1
L2711	VLQEL05S470J	COIL	47UH	1
L60002	VLQEL05S470J	COIL	47UH	1
L60501	VLQEL05S150K	COIL	15UH	1
P1501	VJP1146	CONNECTOR		1
P1502	VJP3076	CONNECTOR		1
P1503	VJP1147	CONNECTOR (MALE)	12P	1
P2201-03	VJS3202B020Z	CONNECTOR (FEMALE)	20P	3
P2301	VJP1230T	CONNECTOR (MALE)	3P	1
P2701	VJP3078	CONNECTOR (MALE)		1
P2702	VJP3083	CONNECTOR (MALE)		1
P2703	VJS2149W	CONNECTOR (FEMALE)		1

Ref.No.	Part No.	Part Name & Description	Pcs	Remarks
P60003	VJS3135	CONNECTOR (FEMALE)		1
P60501	VJS2149W	CONNECTOR (FEMALE)		1
P60502	VJP1230T	CONNECTOR (MALE)	3P	1
P60503	VJS3134	CONNECTOR		1
Q1501	2SD1474	TRANSISTOR		1 <R>
Q1502	2SD973A-R	TRANSISTOR		1 <R>
Q1503	2SD1474	TRANSISTOR		1 <R>
Q1504	2SD1273	TRANSISTOR		1 <R>
Q1505	2SD973A	TRANSISTOR		1 <R>
Q2001	MSC2295-B	TRANSISTOR		1 <R>
Q2303-05	MSD601-R	TRANSISTOR		3 <R>
Q2703	MSB709-R	TRANSISTOR		1 <R>
Q2704	2SB1151	TRANSISTOR		1 <R>
Q2705-07	2SD601A-R	TRANSISTOR		3 <R>
Q2709-11	2SB772	TRANSISTOR		3 <R>
Q2713-16	MSB709-R	TRANSISTOR		4 <R>
Q60001	2SD638	TRANSISTOR		1 <R>
Q60002	MSB709-R	TRANSISTOR		1 <R>
Q60003	2SB819	TRANSISTOR		1 <R>
Q60004	MSD601-R	TRANSISTOR		1 <R>
Q60005	2SB819	TRANSISTOR		1 <R>
Q60006	MSD601-R	TRANSISTOR		1 <R>
Q60007	MSD602-R	TRANSISTOR		1 <R>
Q60501-03	MSD601-R	TRANSISTOR		3 <R>
Q60504	2SB819	TRANSISTOR		1 <R>
Q60505	MSD601-R	TRANSISTOR		1 <R>
Q60506	2SD1273-Q	TRANSISTOR		1 <R>
Q60507	MSD601-R	TRANSISTOR		1 <R>
Q60508	2SB941	TRANSISTOR		1 <R>
Q60509	MSD601-R	TRANSISTOR		1 <R>
QR1502	MRN2402	TRANSISTOR		1 <R>
QR1503	MRN1402	TRANSISTOR		1 <R>
QR1541	UN2219	TRANSISTOR		1 <R>
QR2005	MRN1404	TRANSISTOR		1 <R>
QR2304,05	MRN2402	TRANSISTOR		2 <R>
QR2306	MRN1404	TRANSISTOR		1 <R>
QR2308	MRN1404	TRANSISTOR		1 <R>
QR2309	MRN2404	TRANSISTOR		1 <R>
QR2402	MRN2404	TRANSISTOR		1 <R>
QR2501-05	MRN1404	TRANSISTOR		5 <R>
QR2701	MRN1404	TRANSISTOR		1 <R>
QR2702	MRN2404	TRANSISTOR		1 <R>
QR2703	MRN1404	TRANSISTOR		1 <R>
QR2704	MRN1403	TRANSISTOR		1 <R>
QR60001	MRN2402	TRANSISTOR		1 <R>
QR60002	MRN1403	TRANSISTOR		1 <R>
QR60004	MRN1404	TRANSISTOR		1 <R>
QR60006,07	MRN1404	TRANSISTOR		2 <R>
QR60012	UN2219	TRANSISTOR		1 <R>
QR60013	MRN1402	TRANSISTOR		1 <R>
QR60501	MRN1402	TRANSISTOR		1 <R>
QR60502	UN211F	TRANSISTOR		1 <R>
QR60503	MRN1404	TRANSISTOR		1 <R>
R1501	ERDS2TJ181	C.RESISTOR 1/4W	180	1
R1502	ERJ6GEYJ102	M.RESISTOR CH 1/10W	1K	1
R1504	ERDS2TJ181	C.RESISTOR 1/4W	180	1
R1505	VRE0034E103	M.RESISTOR CH 1/10W	10K	1
R1506	VRE0034E473	M.RESISTOR CH 1/10W	47K	1
R1507	VRE0034E222	M.RESISTOR CH 1/10W	2.2K	1
R1509	ERJ6GEYJ102	M.RESISTOR CH 1/10W	1K	1
R1510	ERJ6GEYJ331	M.RESISTOR CH 1/10W	330	1
R1511	ERJ6GEYJ224	M.RESISTOR CH 1/10W	220K	1
R1512-14	ERJ6GEYJ103	M.RESISTOR CH 1/10W	10K	3
R1515	ERDS2TJ222	C.RESISTOR 1/4W	2.2K	1
R1516-18	ERJ6GEYJ103	M.RESISTOR CH 1/10W	10K	3
R1519	ERDS2TJ333	C.RESISTOR 1/4W	33K	1



Ref.No.	Part No.	Part Name & Description	Pcs	Remarks	Ref.No.	Part No.	Part Name & Description	Pcs	Remarks
R1520	ERJ6GEYJ332	M.RESISTOR CH 1/10W 3.3K	1		R2360,61	ERJ6GEYJ222	M.RESISTOR CH 1/10W 2.2K	2	
R1521	ERDS2TJ221	C.RESISTOR 1/4W 220	1		R2362	ERJ6GEYG472	M.RESISTOR CH 1/10W 4.7K	1	
R1522	ERDS2TJ181	C.RESISTOR 1/4W 180	1		R2363	ERJ6GEYG153	M.RESISTOR CH 1/10W 15K	1	
R1525	ERDS2TJ222	C.RESISTOR 1/4W 2.2K	1		R2364	ERJ6GEYG913	M.RESISTOR CH 1/10W 91K	1	
R1526,27	ERJ6GEYJ331	M.RESISTOR CH 1/10W 330	2		R2370,71	ERJ6GEYJ103	M.RESISTOR CH 1/10W 10K	2	
R1528,29	ERDS2TJ181	C.RESISTOR 1/4W 180	2		R2379	ERJ6GEYJ104	M.RESISTOR CH 1/10W 100K	1	
R1531	ERJ6GEYJ102	M.RESISTOR CH 1/10W 1K	1		R2401	ERJ6GEYJ332	M.RESISTOR CH 1/10W 3.3K	1	
R1532	VRE0034E562	M.RESISTOR CH 1/10W 5.6K	1		R2402,03	ERJ6GEYJ104	M.RESISTOR CH 1/10W 100K	2	
R1533	VRE0034E392	M.RESISTOR CH 1/10W 3.9K	1		R2406	ERJ6GEYJ105	M.RESISTOR CH 1/10W 1M	1	
R1534	VRE0034E222	M.RESISTOR CH 1/10W 2.2K	1		R2407,08	ERJ6GEYJ473	M.RESISTOR CH 1/10W 47K	2	
R1535	ERJ6GEYJ123	M.RESISTOR CH 1/10W 12K	1		R2409	ERJ6GEYJ104	M.RESISTOR CH 1/10W 100K	1	
R1536	ERJ6GEYJ103	M.RESISTOR CH 1/10W 10K	1		R2410	ERJ6GEYJ473	M.RESISTOR CH 1/10W 47K	1	
R1541,42	ERJ6GEYJ103	M.RESISTOR CH 1/10W 10K	2		R2411	ERJ6GEYOR00	M.RESISTOR CH 1/10W 0	1	
R2001	ERJ6GEYJ471	M.RESISTOR CH 1/10W 470	1		R2501	ERJ6GEYJ682	M.RESISTOR CH 1/10W 6.8K	1	
R2002	ERJ6GEYJ103	M.RESISTOR CH 1/10W 10K	1		R2502	ERJ6GEYJ334	M.RESISTOR CH 1/10W 330K	1	
R2004	ERJ6GEYG333	M.RESISTOR CH 1/10W 33K	1		R2503	ERJ6GEYJ274	M.RESISTOR CH 1/10W 270K	1	
R2005-07	ERJ6GEYJ102	M.RESISTOR CH 1/10W 1K	3		R2504	ERJ6GEYJ123	M.RESISTOR CH 1/10W 12K	1	
R2008	ERJ6GEYJ222	M.RESISTOR CH 1/10W 2.2K	1		R2505	ERJ6GEYJ334	M.RESISTOR CH 1/10W 330K	1	
R2009,10	ERJ6GEYJ102	M.RESISTOR CH 1/10W 1K	2		R2506	ERJ6GEYJ154	M.RESISTOR CH 1/10W 150K	1	
R2013	ERJ6GEYJ332	M.RESISTOR CH 1/10W 3.3K	1		R2507-10	ERJ6GEYG104	M.RESISTOR CH 1/10W 100K	4	
R2017,18	ERJ6GEYJ103	M.RESISTOR CH 1/10W 10K	2		R2511-15	ERJ6GEYJ104	M.RESISTOR CH 1/10W 100K	5	
R2019	ERJ6GEYJ124	M.RESISTOR CH 1/10W 120K	1		R2516	ERJ6GEYG393	M.RESISTOR CH 1/10W 39K	1	
R2020	ERJ6GEYJ103	M.RESISTOR CH 1/10W 10K	1		R2517	ERJ6GEYG223	M.RESISTOR CH 1/10W 22K	1	
R2021	ERJ6GEYJ683	M.RESISTOR CH 1/10W 68K	1		R2518-20	ERJ6GEYG124	M.RESISTOR CH 1/10W 120K	3	
R2022	ERJ6GEYJ102	M.RESISTOR CH 1/10W 1K	1		R2521	ERJ6GEYG154	M.RESISTOR CH 1/10W 150K	1	
R2027	ERJ6GEYJ105	M.RESISTOR CH 1/10W 1M	1		R2522	ERJ6GEYJ104	M.RESISTOR CH 1/10W 100K	1	
R2028	ERJ6GEYJ562	M.RESISTOR CH 1/10W 5.6K	1		R2523,24	ERJ6GEYJ102	M.RESISTOR CH 1/10W 1K	2	
R2029	ERJ6GEYJ102	M.RESISTOR CH 1/10W 1K	1		R2701	ERJ6GEYJ563	M.RESISTOR CH 1/10W 56K	1	
R2030	ERJ6GEYJ223	M.RESISTOR CH 1/10W 22K	1		R2709,10	ERJ6GEYJ103	M.RESISTOR CH 1/10W 10K	2	
R2031	ERJ6GEYG241	M.RESISTOR CH 1/10W 240	1		R2711	ERJ6GEYJ154	M.RESISTOR CH 1/10W 150K	1	
R2032	ERJ6GEYJ473	M.RESISTOR CH 1/10W 47K	1		R2712	ERJ6GEYJ104	M.RESISTOR CH 1/10W 100K	1	
R2033	ERJ6GEYJ224	M.RESISTOR CH 1/10W 220K	1		R2713	ERJ6GEYJ222	M.RESISTOR CH 1/10W 2.2K	1	
R2035,36	ERJ6GEYJ101	M.RESISTOR CH 1/10W 100	2		R2714-17	ERJ6GEYJ103	M.RESISTOR CH 1/10W 10K	4	
R2047	ERJ6GEYJ332	M.RESISTOR CH 1/10W 3.3K	1		R2718	ERG2SJ561	M.RESISTOR 2W 560	1	
R2048	ERJ6GEYJ471	M.RESISTOR CH 1/10W 470	1		R2719	ERDS2TJ270	C.RESISTOR 1/4W 27	1	
R2049	ERJ6GEYJ103	M.RESISTOR CH 1/10W 10K	1		R2725	ERJ6GEYJ334	M.RESISTOR CH 1/10W 330K	1	
R2054-56	ERJ6GEYJ101	M.RESISTOR CH 1/10W 100	3		R2727	ERDS2TJ150	C.RESISTOR 1/4W 15	1	
R2059,60	ERJ6GEYJ101	M.RESISTOR CH 1/10W 100	2		R2729	ERJ6GEYJ102	M.RESISTOR CH 1/10W 1K	1	
R2062	ERJ6GEYJ101	M.RESISTOR CH 1/10W 100	1		R2730	ERDS2TJ182	C.RESISTOR 1/4W 1.8K	1	
R2064	ERJ6GEYJ103	M.RESISTOR CH 1/10W 10K	1		R2731	ERJ6GEYJ103	M.RESISTOR CH 1/10W 10K	1	
R2067	ERJ6GEYOR00	M.RESISTOR CH 1/10W 0	1		R2732	ERJ6GEYG153	M.RESISTOR CH 1/10W 15K	1	
R2201	ERJ6GEYJ105	M.RESISTOR CH 1/10W 1M	1		R2733	ERDS2TJ182	C.RESISTOR 1/4W 1.8K	1	
R2202	ERJ6GEYJ101	M.RESISTOR CH 1/10W 100	1		R2734	ERDS2TJ391	C.RESISTOR 1/4W 390	1	
R2203	ERJ6GEYJ331	M.RESISTOR CH 1/10W 330	1		R2735	ERJ6GEYJ103	M.RESISTOR CH 1/10W 10K	1	
R2205,06	ERJ6GEYJ473	M.RESISTOR CH 1/10W 47K	2		R2736	ERJ6GEYG153	M.RESISTOR CH 1/10W 15K	1	
R2207	ERJ6GEYJ103	M.RESISTOR CH 1/10W 10K	1		R2738,39	ERDS2TJ150	C.RESISTOR 1/4W 15	2	
R2208	ERJ6GEYG104	M.RESISTOR CH 1/10W 100K	1		R2740	ERX12SJR68	M.RESISTOR CH 1/2W 0.68	1	
R2211	ERJ6GEYG473	M.RESISTOR CH 1/10W 47K	1		R2743	ERJ6GEYJ122	M.RESISTOR CH 1/10W 1.2K	1	
R2212	ERJ6GEYJ103	M.RESISTOR CH 1/10W 10K	1		R2747	ERJ6GEYJ103	M.RESISTOR CH 1/10W 10K	1	
R2213-18	ERJ6GEYJ101	M.RESISTOR CH 1/10W 100	6		R2748	ERJ6GEYJ124	M.RESISTOR CH 1/10W 120K	1	
R2220-23	ERJ6GEYJ101	M.RESISTOR CH 1/10W 100	4		R2751	ERJ6GEYJ102	M.RESISTOR CH 1/10W 1K	1	
R2240	ERJ6GEYG473	M.RESISTOR CH 1/10W 47K	1		R2752-54	ERDS2TJ330	C.RESISTOR 1/4W 33	3	
R2241	ERJ6GEYG104	M.RESISTOR CH 1/10W 100K	1		R2755	ERX12SJR47	M.RESISTOR CH 1/2W 0.47	1	
R2242	ERJ6GEYJ101	M.RESISTOR CH 1/10W 100	1		R2756	ERJ6GEYJ330	M.RESISTOR CH 1/10W 33	1	
R2331	ERJ6GEYJ222	M.RESISTOR CH 1/10W 2.2K	1		R2757	ERJ6GEYJ103	M.RESISTOR CH 1/10W 10K	1	
R2333	ERJ6GEYJ101	M.RESISTOR CH 1/10W 100	1		R2758	ERJ6GEYJ224	M.RESISTOR CH 1/10W 220K	1	
R2334	ERJ6GEYJ104	M.RESISTOR CH 1/10W 100K	1		R2759	ERJ6GEYJ223	M.RESISTOR CH 1/10W 22K	1	
R2335	ERJ6GEYG333	M.RESISTOR CH 1/10W 33K	1		R2760	ERJ6GEYJ184	M.RESISTOR CH 1/10W 180K	1	
R2336	ERJ6GEYJ822	M.RESISTOR CH 1/10W 8.2K	1		R2761,62	ERJ6GEYJ103	M.RESISTOR CH 1/10W 10K	2	
R2337	ERJ6GEYG242	M.RESISTOR CH 1/10W 2.4K	1		R2763,64	ERJ6GEYJ473	M.RESISTOR CH 1/10W 47K	2	
R2338	ERJ6GEYJ822	M.RESISTOR CH 1/10W 8.2K	1		R2765	ERJ6GEYJ103	M.RESISTOR CH 1/10W 10K	1	
R2339	ERJ6GEYJ104	M.RESISTOR CH 1/10W 100K	1		R2766	ERJ6GEYJ224	M.RESISTOR CH 1/10W 220K	1	
R2340,41	ERJ6GEYJ392	M.RESISTOR CH 1/10W 3.9K	2		R2767	ERJ6GEYJ223	M.RESISTOR CH 1/10W 22K	1	
R2342	ERJ6GEYJ681	M.RESISTOR CH 1/10W 680	1		R2768	ERJ6GEYJ184	M.RESISTOR CH 1/10W 180K	1	
R2343	ERJ6GEYJ473	M.RESISTOR CH 1/10W 47K	1		R2769,70	ERJ6GEYJ103	M.RESISTOR CH 1/10W 10K	2	
R2344	ERJ6GEYJ563	M.RESISTOR CH 1/10W 56K	1		R2771,72	ERJ6GEYJ473	M.RESISTOR CH 1/10W 47K	2	
R2345	ERJ6GEYG153	M.RESISTOR CH 1/10W 15K	1		R2773,74	ERJ6GEYJ103	M.RESISTOR CH 1/10W 10K	2	
R2346	ERJ6GEYJ563	M.RESISTOR CH 1/10W 56K	1		R2775	ERJ6GEYJ473	M.RESISTOR CH 1/10W 47K	1	
R2347	ERJ6GEYJ124	M.RESISTOR CH 1/10W 120K	1		R2776	ERJ6GEYG472	M.RESISTOR CH 1/10W 4.7K	1	
R2352	ERJ6GEYJ752	M.RESISTOR CH 1/10W 7.5K	1		R2777	ERJ6GEYJ334	M.RESISTOR CH 1/10W 330K	1	
R2353,54	ERJ6GEYJ103	M.RESISTOR CH 1/10W 10K	2		R2778-82	ERJ6GEYJ103	M.RESISTOR CH 1/10W 10K	5	
R2355	ERJ6GEYJ752	M.RESISTOR CH 1/10W 7.5K	1		R2783	ERJ6GEYJ224	M.RESISTOR CH 1/10W 220K	1	
R2356	ERJ6GEYJ104	M.RESISTOR CH 1/10W 100K	1		R2784	ERJ6GEYJ103	M.RESISTOR CH 1/10W 10K	1	
R2357,58	ERJ6GEYJ272	M.RESISTOR CH 1/10W 2.7K	2		R2785	ERJ6GEYJ224	M.RESISTOR CH 1/10W 220K	1	
R2359	ERJ6GEYJ104	M.RESISTOR CH 1/10W 100K	1		R2786,87	ERJ6GEYJ103	M.RESISTOR CH 1/10W 10K	2	



Ref.No.	Part No.	Part Name & Description	Pcs	Remarks	Ref.No.	Part No.	Part Name & Description	Pcs	Remarks
R2788	ERJ66EYJ473	M.RESISTOR CH 1/10W 47K	1		R60505	ERJ66EYJ122	M.RESISTOR CH 1/10W 1.2K	1	
R2789	ERJ66EYG472	M.RESISTOR CH 1/10W 4.7K	1		R60506	ERJ66EYJ182	M.RESISTOR CH 1/10W 1.8K	1	
R2790	ERJ66EYG333	M.RESISTOR CH 1/10W 33K	1		R60507,08	ERJ66EYJ222	M.RESISTOR CH 1/10W 2.2K	2	
R2791	ERJ66EYJ332	M.RESISTOR CH 1/10W 3.3K	1		R60509	ERJ66EYJ681	M.RESISTOR CH 1/10W 680	1	
R2792	ERJ66EYJ103	M.RESISTOR CH 1/10W 10K	1		R60510,11	ERJ66EYJ272	M.RESISTOR CH 1/10W 2.7K	2	
R2793	ERJ66EYJ473	M.RESISTOR CH 1/10W 47K	1		R60512	ERJ66EYJ102	M.RESISTOR CH 1/10W 1K	1	
R2794	ERJ66EYG472	M.RESISTOR CH 1/10W 4.7K	1		R60513	ERJ66EYJ121	M.RESISTOR CH 1/10W 120	1	
R2795	ERJ66EYG333	M.RESISTOR CH 1/10W 33K	1		R60514	ERJ66EYJ183	M.RESISTOR CH 1/10W 18K	1	
R2796	ERJ66EYJ332	M.RESISTOR CH 1/10W 3.3K	1		R60515	ERJ66EYJ474	M.RESISTOR CH 1/10W 470K	1	
R2799,00	ERJ66EYOR00	M.RESISTOR CH 1/10W 0	2		R60516	ERJ66EYJ682	M.RESISTOR CH 1/10W 6.8K	1	
R2803	ERG2SJ221	M.RESISTOR 2W 220	1		R60517,18	ERJ66EYJ821	M.RESISTOR CH 1/10W 820	2	
R2821	ERDS2TJ682	C.RESISTOR 1/4W 6.8K	1		R60519	ERJ66EYJ181	M.RESISTOR CH 1/10W 180	1	
R2828,29	ERJ66EYJ104	M.RESISTOR CH 1/10W 100K	2		R60520,21	ERJ66EYJ682	M.RESISTOR CH 1/10W 6.8K	2	
R2830	ERDS2TJ391	C.RESISTOR 1/4W 390	1		R60522	ERJ66EYJ562	M.RESISTOR CH 1/10W 5.6K	1	
R2831	ERDS2TJ561	C.RESISTOR 1/4W 560	1		R60523	ERJ66EYJ332	M.RESISTOR CH 1/10W 3.3K	1	
R2832	ERDS2TJ562	C.RESISTOR 1/4W 5.6K	1		R60524	ERJ66EYJ103	M.RESISTOR CH 1/10W 10K	1	
R2833	ERDS2TJ391	C.RESISTOR 1/4W 390	1		R60525	ERDS2TJ151	C.RESISTOR 1/4W 150	1	
R2834	ERDS2TJ182	C.RESISTOR 1/4W 1.8K	1		R60526	ERJ66EYJ683	M.RESISTOR CH 1/10W 68K	1	
R2835	ERJ66EYJ471	M.RESISTOR CH 1/10W 470	1		R60527,28	ERGISJ300	M.RESISTOR 1W 30	2	
R2836	ERJ66EYJ103	M.RESISTOR CH 1/10W 10K	1		R60529	ERJ66EYJ682	M.RESISTOR CH 1/10W 6.8K	1	
R2838,39	ERJ66EYJ103	M.RESISTOR CH 1/10W 10K	2		R60530	ERJ66EYJ473	M.RESISTOR CH 1/10W 47K	1	
R2840	ERJ66EYJ222	M.RESISTOR CH 1/10W 2.2K	1						
R2841	ERJ66EYJ104	M.RESISTOR CH 1/10W 100K	1						
R2842,43	ERJ66EYJ103	M.RESISTOR CH 1/10W 10K	2		T1501	ETE13K86AY	TRANSFORMER	1	
R2844	ERJ66EYJ222	M.RESISTOR CH 1/10W 2.2K	1						
R2845	ERJ66EYJ104	M.RESISTOR CH 1/10W 100K	1						
R2846-48	ERJ66EYJ271	M.RESISTOR CH 1/10W 270	3						
R2849	ERJ66EYOR00	M.RESISTOR CH 1/10W 0	1						
R2850	ERDS2TJ102	C.RESISTOR 1/4W 1K	1		VR2001	EVN32CA00B54	V.RESISTOR 50K	1	
R2862,63	ERJ66EYJ332	M.RESISTOR CH 1/10W 3.3K	2		VR2003	EVN32CA00B15	V.RESISTOR 100K	1	
R60001	ERJ66EYJ103	M.RESISTOR CH 1/10W 10K	1						
R60002	ERD2FCG220	C.RESISTOR 2W 22	1	<I>					
R60003	ERJ66EYJ103	M.RESISTOR CH 1/10W 10K	1						
R60004	ERJ66EYJ183	M.RESISTOR CH 1/10W 18K	1		X2001	VSX0296	CRYSTAL OSCILLATOR	1	<R>
R60005	ERJ66EYJ272	M.RESISTOR CH 1/10W 2.7K	1		X2002	VSX0066	CRYSTAL OSCILLATOR	1	<R>
R60006	ERJ66EYJ103	M.RESISTOR CH 1/10W 10K	1		X2201	VSX0197	CRYSTAL OSCILLATOR	1	<R>
R60007	ERJ66EYJ272	M.RESISTOR CH 1/10W 2.7K	1		X2401	VSX0086	CRYSTAL OSCILLATOR	1	<R>
R60008	ERJ66EYJ103	M.RESISTOR CH 1/10W 10K	1		X2701	VSX0136	CRYSTAL OSCILLATOR	1	<R>
R60009	ERJ66EYJ183	M.RESISTOR CH 1/10W 18K	1		X60001	VSX0230	CRYSTAL OSCILLATOR	1	<R>
R60010	ERJ66EYJ471	M.RESISTOR CH 1/10W 470	1						
R60011	ERJ66EYJ104	M.RESISTOR CH 1/10W 100K	1						
R60012	ERJ66EYJ473	M.RESISTOR CH 1/10W 47K	1						
R60013	ERJ66EYJ471	M.RESISTOR CH 1/10W 470	1						
R60015	ERJ66EYJ103	M.RESISTOR CH 1/10W 10K	1				MISCELLANEOUS		
R60016	ERJ66EYJ272	M.RESISTOR CH 1/10W 2.7K	1		E43	VMX0985	SPACER	2	
R60017,18	ERJ66EYJ103	M.RESISTOR CH 1/10W 10K	2		E52	XYN3+F8	SCREW	2	
R60019	ERDS2TJ472	C.RESISTOR 1/4W 4.7K	1		E80	VSC4042	HEAT SINK	2	
R60020	ERDS2TJ471	C.RESISTOR 1/4W 470	1		E82	VMC0493	HEAT SINK SPRING	1	
R60021-24	ERJ66EYJ103	M.RESISTOR CH 1/10W 10K	4		E84	VMC0075	HEAT SINK SPRING	1	
R60026-29	ERJ66EYJ103	M.RESISTOR CH 1/10W 10K	4		E83	VSC1215	HEAT SINK	1	
R60030	ERJ66EYJ102	M.RESISTOR CH 1/10W 1K	1		E42	VJF0816	CORD CLAMPER	1	
R60031	ERJ66EYJ103	M.RESISTOR CH 1/10W 10K	1		E97	VMJ18AW105M1	FLEXIBLE WIRE	1	
R60032-35	ERJ66EYJ473	M.RESISTOR CH 1/10W 47K	4		E96	VMJ04CN150CA	FLAT CABLE	1	
R60037	ERD2FCJ47	C.RESISTOR 2W 4.7	1		E81	VSC1689	HEAT SINK	1	
R60038	ERJ66EYOR00	M.RESISTOR CH 1/10W 0	1						
R60039	ERJ66EYJ473	M.RESISTOR CH 1/10W 47K	1						
R60043,44	ERJ66EYG472	M.RESISTOR CH 1/10W 4.7K	2						
R60045	ERJ66EYJ103	M.RESISTOR CH 1/10W 10K	1						
R60047	ERGISJ330	M.RESISTOR 1W 33	1						
R60050	ERJ66EYOR00	M.RESISTOR CH 1/10W 0	1						
R60055	ERJ66EYJ103	M.RESISTOR CH 1/10W 10K	1						
R60056	ERJ66EYJ473	M.RESISTOR CH 1/10W 47K	1						
R60057	ERJ66EYJ822	M.RESISTOR CH 1/10W 8.2K	1						
R60058	ERJ66EYJ393	M.RESISTOR CH 1/10W 39K	1						
R60059	ERJ66EYJ103	M.RESISTOR CH 1/10W 10K	1						
R60060	ERJ66EYJ684	M.RESISTOR CH 1/10W 680K	1						
R60101	ERJ66EYJ102	M.RESISTOR CH 1/10W 1K	1						
R60102	ERJ66EYJ302	M.RESISTOR CH 1/10W 3K	1						
R60103-05	ERJ66EYJ102	M.RESISTOR CH 1/10W 1K	3						
R60106	ERJ66EYJ273	M.RESISTOR CH 1/10W 27K	1						
R60107	ERJ66EYJ823	M.RESISTOR CH 1/10W 82K	1						
R60108-11	ERJ66EYJ103	M.RESISTOR CH 1/10W 10K	4						
R60501	ERJ66EYJ222	M.RESISTOR CH 1/10W 2.2K	1						
R60502,03	ERJ66EYJ153	M.RESISTOR CH 1/10W 15K	2						
R60504	ERJ66EYJ181	M.RESISTOR CH 1/10W 180	1						

Ref.No.	Part No.	Part Name & Description	Pcs	Remarks	Ref.No.	Part No.	Part Name & Description	Pcs	Remarks
	VEP08160B	P.C. BOARD W/COMPONENT TBC (2)			C8692	ECUM1H150JCN	C.CAPACITOR CH 50V 15P	1	
					C8693-95	ECUM1E104ZFN	C.CAPACITOR CH 25V 0.1U	3	
					C8701	ECUM1E104ZFN	C.CAPACITOR CH 25V 0.1U	1	
					C8702	ECEVICN100Q	E.CAPACITOR CH 16V 10U	1	
					C8703	ECUM1H102JCN	C.CAPACITOR CH 50V 1000P	1	
					C8704	ECUM1H150JCN	C.CAPACITOR CH 50V 15P	1	
					C8705	ECUM1E104ZFN	C.CAPACITOR CH 25V 0.1U	1	
					C8706	ECEVICV100Q	E.CAPACITOR CH 16V 10U	1	
					C8707	ECUM1E104ZFN	C.CAPACITOR CH 25V 0.1U	1	
					C8708	ECEVICV100Q	E.CAPACITOR CH 16V 10U	1	
C8601,02	ECUM1H103KBN	C.CAPACITOR CH 50V 0.01U	2		C8709-13	ECUM1E104ZFN	C.CAPACITOR CH 25V 0.1U	5	
C8603	ECUM1H181JCN	C.CAPACITOR CH 50V 180P	1		C8714	ECUM1H220JCN	C.CAPACITOR CH 50V 22P	1	
C8604	ECUM1H103KBN	C.CAPACITOR CH 50V 0.01U	1		C8715	ECUM1H820JCN	C.CAPACITOR CH 50V 82P	1	
C8605	ECUM1E104ZFN	C.CAPACITOR CH 25V 0.1U	1		C8716-21	ECUM1E104ZFN	C.CAPACITOR CH 25V 0.1U	6	
C8606,07	ECEVICV470Q	E.CAPACITOR CH 16V 47U	2		C8722	ECUM1H102JCN	C.CAPACITOR CH 50V 1000P	1	
C8608	ECUM1E104ZFN	C.CAPACITOR CH 25V 0.1U	1		C8723	ECUM1H151JCN	C.CAPACITOR CH 50V 150P	1	
C8609	ECUM1H180JCN	C.CAPACITOR CH 50V 18P	1		C8724,25	ECUM1E104ZFN	C.CAPACITOR CH 25V 0.1U	2	
C8610	ECUM1H680JCN	C.CAPACITOR CH 50V 68P	1		C8726	ECUM1H331JCN	C.CAPACITOR CH 50V 330P	1	
C8611,12	ECUM1E104ZFN	C.CAPACITOR CH 25V 0.1U	2		C8801	ECUM1H101JCN	C.CAPACITOR CH 50V 100P	1	
C8613	ECEV1HNO10Q	E.CAPACITOR CH 50V 1U	1		C8802	ECUM1H221JCN	C.CAPACITOR CH 50V 220P	1	
C8614	ECUM1H330JCN	C.CAPACITOR CH 50V 33P	1		C8803	ECEVOJV470Q	E.CAPACITOR CH 6.3V 47U	1	
C8615	ECUM1E104ZFN	C.CAPACITOR CH 25V 0.1U	1		C8804,05	ECUM1E104ZFN	C.CAPACITOR CH 25V 0.1U	2	
C8616,17	ECUM1H101JCN	C.CAPACITOR CH 50V 100P	2		C8806	ECEVOJV470Q	E.CAPACITOR CH 6.3V 47U	1	
C8618	ECUM1H220JCN	C.CAPACITOR CH 50V 22P	1		C8807,08	ECUM1E104ZFN	C.CAPACITOR CH 25V 0.1U	2	
C8619	ECUM1H470JCN	C.CAPACITOR CH 50V 47P	1		C8809,10	ECEVOGV470Q	E.CAPACITOR CH 4V 47U	2	
C8620-22	ECUM1E104ZFN	C.CAPACITOR CH 25V 0.1U	3		C8811	ECUM1H101JCN	C.CAPACITOR CH 50V 100P	1	
C8623	ECUM1H390JCN	C.CAPACITOR CH 50V 39P	1		C8813-15	ECUM1E104ZFN	C.CAPACITOR CH 25V 0.1U	3	
C8624	ECUM1E104ZFN	C.CAPACITOR CH 25V 0.1U	1		C8816	ECEVOGV470Q	E.CAPACITOR CH 4V 47U	1	
C8625	ECEVICV470Q	E.CAPACITOR CH 16V 47U	1		C8817	ECUM1H101JCN	C.CAPACITOR CH 50V 100P	1	
C8628	ECEVOJV101Q	E.CAPACITOR CH 6.3V 100U	1		C8819	ECUM1E104ZFN	C.CAPACITOR CH 25V 0.1U	1	
C8629	ECUM1H103KBN	C.CAPACITOR CH 50V 0.01U	1		C8820	ECUM1H151JCN	C.CAPACITOR CH 50V 150P	1	
C8630	ECEVICV470Q	E.CAPACITOR CH 16V 47U	1		C8821	ECUM1H471JCN	C.CAPACITOR CH 50V 470P	1	
C8631	ECUM1H103KBN	C.CAPACITOR CH 50V 0.01U	1		C8822,23	ECEV1HVO10Q	E.CAPACITOR CH 50V 1U	2	
C8632	ECEVICV470Q	E.CAPACITOR CH 16V 47U	1		C8824	ECUM1H330JCN	C.CAPACITOR CH 50V 33P	1	
C8633	ECUM1H103KBN	C.CAPACITOR CH 50V 0.01U	1		C8826	ECUM1H221JCN	C.CAPACITOR CH 50V 220P	1	
C8634	ECEVICV470Q	E.CAPACITOR CH 16V 47U	1		C8827	ECUM1E104ZFN	C.CAPACITOR CH 25V 0.1U	1	
C8635	ECUM1H103KBN	C.CAPACITOR CH 50V 0.01U	1		C8828	ECEVOJV101Q	E.CAPACITOR CH 6.3V 100U	1	
C8636	ECEVICV470Q	E.CAPACITOR CH 16V 47U	1		C8829	ECUM1E104ZFN	C.CAPACITOR CH 25V 0.1U	1	
C8637	ECUM1H103KBN	C.CAPACITOR CH 50V 0.01U	1		C8830	ECEVOJV101Q	E.CAPACITOR CH 6.3V 100U	1	
C8640	ECUM1E104ZFN	C.CAPACITOR CH 25V 0.1U	1		C8832	ECUM1E104ZFN	C.CAPACITOR CH 25V 0.1U	1	
C8641	ECUM1H103KBN	C.CAPACITOR CH 50V 0.01U	1		C8833	ECUM1H150JCN	C.CAPACITOR CH 50V 15P	1	
C8642	ECUM1E104ZFN	C.CAPACITOR CH 25V 0.1U	1		C8835	ECEVOJV470Q	E.CAPACITOR CH 6.3V 47U	1	
C8643	ECEV1HNO10Q	E.CAPACITOR CH 50V 1U	1		C8836,37	ECUM1E104ZFN	C.CAPACITOR CH 25V 0.1U	2	
C8644	ECUM1E104ZFN	C.CAPACITOR CH 25V 0.1U	1		C8840	ECEVICV470Q	E.CAPACITOR CH 16V 47U	1	
C8645	ECEVICV470Q	E.CAPACITOR CH 16V 47U	1		C8841	ECEVICV220Q	E.CAPACITOR CH 16V 22U	1	
C8646,47	ECUM1E104ZFN	C.CAPACITOR CH 25V 0.1U	2		C8842,43	ECUM1E104ZFN	C.CAPACITOR CH 25V 0.1U	2	
C8648	ECEVICV470Q	E.CAPACITOR CH 16V 47U	1		C8846	ECUM1H103ZFN	C.CAPACITOR CH 50V 0.01U	1	
C8649	ECUM1H103KBN	C.CAPACITOR CH 50V 0.01U	1		C8847	ECUM1E473KBN	C.CAPACITOR CH 25V 0.047U	1	
C8650	ECUM1E104ZFN	C.CAPACITOR CH 25V 0.1U	1		C8848	ECEVICV100Q	E.CAPACITOR CH 16V 10U	1	
C8651	ECEV1VAN2R2	E.CAPACITOR CH 35V 2.2U	1		C8849-51	ECUM1E104ZFN	C.CAPACITOR CH 25V 0.1U	3	
C8652	ECUM1H102JCN	C.CAPACITOR CH 50V 1000P	1		C8852	ECEVOGV470Q	E.CAPACITOR CH 4V 47U	1	
C8653	ECUM1E104ZFN	C.CAPACITOR CH 25V 0.1U	1		C8853	ECUM1E104ZFN	C.CAPACITOR CH 25V 0.1U	1	
C8654	ECEVICV470Q	E.CAPACITOR CH 16V 47U	1		C8854	ECEV1HVO10Q	E.CAPACITOR CH 50V 1U	1	
C8655	ECUM1H221JCN	C.CAPACITOR CH 50V 220P	1		C8855	ECEVOJV470Q	E.CAPACITOR CH 6.3V 47U	1	
C8656-61	ECUM1E104ZFN	C.CAPACITOR CH 25V 0.1U	6		C8856	ECUM1E473KBN	C.CAPACITOR CH 25V 0.047U	1	
C8662	ECUM1H103KBN	C.CAPACITOR CH 50V 0.01U	1		C8857	ECUM1E104ZFN	C.CAPACITOR CH 25V 0.1U	1	
C8663	ECEVICV470Q	E.CAPACITOR CH 16V 47U	1		C8859-62	ECUM1E104ZFN	C.CAPACITOR CH 25V 0.1U	4	
C8664	ECUM1H103KBN	C.CAPACITOR CH 50V 0.01U	1		C8863	ECEVICV100Q	E.CAPACITOR CH 16V 10U	1	
C8665	ECEVICV470Q	E.CAPACITOR CH 16V 47U	1		C8864	ECUM1E473KBN	C.CAPACITOR CH 25V 0.047U	1	
C8671	ECEVICV470Q	E.CAPACITOR CH 16V 47U	1		C8865	ECUM1H270JCN	C.CAPACITOR CH 50V 27P	1	
C8672	ECUM1E104ZFN	C.CAPACITOR CH 25V 0.1U	1		C8866	ECUM1H221JCN	C.CAPACITOR CH 50V 220P	1	
C8673	ECUM1H820JCN	C.CAPACITOR CH 50V 82P	1		C8867	ECUM1H270JCN	C.CAPACITOR CH 50V 27P	1	
C8674	ECEVICV100Q	E.CAPACITOR CH 16V 10U	1		C8870	ECUM1H101JCN	C.CAPACITOR CH 50V 100P	1	
C8675	ECUM1E104ZFN	C.CAPACITOR CH 25V 0.1U	1		C8871	ECUM1H470JCN	C.CAPACITOR CH 50V 47P	1	
C8676	ECUM1H103KBN	C.CAPACITOR CH 50V 0.01U	1		C8872	ECUM1H100DCN	C.CAPACITOR CH 50V 10P	1	
C8677	ECUM1E104ZFN	C.CAPACITOR CH 25V 0.1U	1		C8873	ECUM1H330JCN	C.CAPACITOR CH 50V 33P	1	
C8678	ECEV1VAN2R2	E.CAPACITOR CH 35V 2.2U	1		C8882,83	ECUM1H680JCN	C.CAPACITOR CH 50V 68P	2	
C8679	ECUM1E104ZFN	C.CAPACITOR CH 25V 0.1U	1		C8884	ECUM1E104ZFN	C.CAPACITOR CH 25V 0.1U	1	
C8680	ECEVICV470Q	E.CAPACITOR CH 16V 47U	1		C8885	ECEVOJV470Q	E.CAPACITOR CH 6.3V 47U	1	
C8681	ECUM1E104ZFN	C.CAPACITOR CH 25V 0.1U	1		C8886	ECUM1E104ZFN	C.CAPACITOR CH 25V 0.1U	1	
C8682	ECUM1H470JCN	C.CAPACITOR CH 50V 47P	1		C8887	ECEVOJV470Q	E.CAPACITOR CH 6.3V 47U	1	
C8683,84	ECUM1E104ZFN	C.CAPACITOR CH 25V 0.1U	2		C8889	ECUM1E104ZFN	C.CAPACITOR CH 25V 0.1U	1	
C8685	ECUM1H102JCN	C.CAPACITOR CH 50V 1000P	1		C8890,91	ECUM1H220JCN	C.CAPACITOR CH 50V 22P	2	
C8686	ECUM1H180JCN	C.CAPACITOR CH 50V 18P	1		C8892	ECUM1E104ZFN	C.CAPACITOR CH 25V 0.1U	1	
C8687	ECUM1H220JCN	C.CAPACITOR CH 50V 22P	1		C8893,94	ECUM1H220JCN	C.CAPACITOR CH 50V 22P	2	
C8688	ECUM1H103KBN	C.CAPACITOR CH 50V 0.01U	1						
C8689	ECUM1E104ZFN	C.CAPACITOR CH 25V 0.1U	1						
C8690	ECEVICV100Q	E.CAPACITOR CH 16V 10U	1						
C8691	ECUM1H030DCN	C.CAPACITOR CH 50V 3P	1						

Ref.No.	Part No.	Part Name & Description	Pcs	Remarks
C8895	ECEVOJV470Q	E.CAPACITOR 6.3V 47U	1	
C8896, 97	ECUM1E104ZFN	C.CAPACITOR CH 25V 0.1U	2	
C8898, 99	ECUM1H220JCN	C.CAPACITOR CH 50V 22P	2	
C8900	ECEVOJV470Q	E.CAPACITOR 6.3V 47U	1	
C8901, 02	ECUM1E104ZFN	C.CAPACITOR CH 25V 0.1U	2	
C8903	ECUM1H820JCN	C.CAPACITOR CH 50V 82P	1	
C8904, 05	ECUM1E104ZFN	C.CAPACITOR CH 25V 0.1U	2	
C8906	ECUM1H100DCN	C.CAPACITOR CH 50V 10P	1	
C8907, 08	ECUM1E104ZFN	C.CAPACITOR CH 25V 0.1U	2	
C8909	ECUM1H271JCN	C.CAPACITOR CH 50V 270P	1	
C8910	ECUM1H221JCN	C.CAPACITOR CH 50V 220P	1	
C8911, 12	ECUM1E104ZFN	C.CAPACITOR CH 25V 0.1U	2	
C8913	ECUM1H181JCN	C.CAPACITOR CH 50V 180P	1	
C8914	ECUM1E104ZFN	C.CAPACITOR CH 25V 0.1U	1	
C8915	ECUM1H820JCN	C.CAPACITOR CH 50V 82P	1	
C8916-20	ECUM1E104ZFN	C.CAPACITOR CH 25V 0.1U	5	
C8921	ECEVICV100Q	E.CAPACITOR 16V 10U	1	
C8922	ECUM1E104ZFN	C.CAPACITOR CH 25V 0.1U	1	
C8923	ECEVOGV470Q	E.CAPACITOR 4V 47U	1	
C8924	ECEVOJV470Q	E.CAPACITOR 6.3V 47U	1	
C8925	ECUM1H560JCN	C.CAPACITOR CH 50V 56P	1	
C8926-28	ECUM1E104ZFN	C.CAPACITOR CH 25V 0.1U	3	
C8930	ECUM1E104ZFN	C.CAPACITOR CH 25V 0.1U	1	
C8932	ECUM1H470JCN	C.CAPACITOR CH 50V 47P	1	
C8938	ECEVICV100Q	E.CAPACITOR 16V 10U	1	
C8939	ECUM1E104ZFN	C.CAPACITOR CH 25V 0.1U	1	
C8940, 41	ECUM1H050CCN	C.CAPACITOR CH 50V 5P	2	
C8945	ECUM1E104ZFN	C.CAPACITOR CH 25V 0.1U	1	
D8601	MA151WK	DIODE	1	<R>
D8602	MA151K	DIODE	1	<R>
D8604, 05	MA723	DIODE	2	<R>
D8671	MA151K	DIODE	1	<R>
D8672	MA335-R	DIODE	1	<R>
D8673	MA151K	DIODE	1	<R>
D8701	MA151K	DIODE	1	<R>
D8801, 02	MA335-R	DIODE	2	<R>
D8803	MA151K	DIODE	1	<R>
D8804	MA723	DIODE	1	<R>
FL8601-05	VLF1016A223	FILTER	5	
FL8671	VLF1016A223	FILTER	1	
FL8672-75	VLF1016A470	FILTER	4	
FL8701	VLF1016A223	FILTER	1	
FL8801	VLF0921	FILTER	1	
FL8802, 03	VLF1289	FILTER	2	
IC8601	AN91A12S	IC	1	<R>
IC8602	NE521D	IC	1	<R>
IC8603, 04	MN74HC221S	IC	2	<R>
IC8605	NJM082BM	IC	1	<R>
IC8606	MN74HC221S	IC	1	<R>
IC8607	MC74HC04F	IC	1	<R>
IC8608	MC74HC125AF	IC	1	<R>
IC8609, 10	NJM082BM	IC	2	<R>
IC8613	NJM78L09UA	IC	1	<R>
IC8671	MC14053BF	IC	1	<R>
IC8672	NJM082BM	IC	1	<R>
IC8673	NE521D	IC	1	<R>
IC8674	NJM78L09UA	IC	1	<R>
IC8675	TC7S08F	IC	1	<R>
IC8701	UPD65650J203	IC	1	<R>
IC8702	MN74HC221S	IC	1	<R>
IC8703	MC74HC04AF	IC	1	<R>
IC8704	TC7S08F	IC	1	<R>
IC8705	NJM082BM	IC	1	<R>
IC8706	TC7W04F	IC	1	<R>
IC8708	MC74HC164F	IC	1	<R>
IC8709	TC7S32F	IC	1	<R>

Ref.No.	Part No.	Part Name & Description	Pcs	Remarks
IC8801	AD826AR	IC	1	<R>
IC8802	BA7655AF	IC	1	<R>
IC8803	MN74HC221AM	IC	1	<R>
IC8804	AD826AR	IC	1	<R>
IC8805	NJM082BM	IC	1	<R>
IC8806	MS1272FP	IC	1	<R>
IC8807	TC7S04F	IC	1	<R>
IC8808	MC14053BF	IC	1	<R>
IC8809	MC14013BF	IC	1	<R>
IC8810	LM358PS	IC	1	<R>
IC8811	TC4S66F	IC	1	<R>
IC8812	LM358PS	IC	1	<R>
IC8815	TC7S04F	IC	1	<R>
L8601	VLQ0319K101	COIL 100UH	1	
L8602	VLQ0319K221	COIL 220UH	1	
L8603	VLQ0163J390	COIL 39UH	1	
L8604	VLQ0319K470	COIL 47UH	1	
L8605, 06	VLQ0133	COIL	2	
L8612-14	VLQ0319K470	COIL 47UH	3	
L8671	VLQ0319K470	COIL 47UH	1	
L8672	VLQ0163J221	COIL 220UH	1	
L8673	VLQ0319K470	COIL 47UH	1	
L8701	VLQ0319K470	COIL 47UH	1	
L8801, 02	VLQ0319K101	COIL 100UH	2	
L8803	VLQ0163J180	COIL 18UH	1	
L8804	VLQ0163J560	COIL 56UH	1	
L8805	VLQ0163J101	COIL 100UH	1	
L8806, 07	VLQ0319K101	COIL 100UH	2	
L8812	VLQ0319K101	COIL 100UH	1	
L8813	VLQ0163J150	COIL 15UH	1	
L8814	VLQ0163J5R6	COIL 5.6UH	1	
L8815	VLQ0163J6R8	COIL 6.8UH	1	
L8818, 19	VLQ0319K101	COIL 100UH	2	
L8820, 21	VLQ0163J470	COIL 47UH	2	
L8822	VLQ0319K101	COIL 100UH	1	
L8823	VLQ0163J470	COIL 47UH	1	
L8824-27	VLQ0319K101	COIL 100UH	4	
L8828, 29	VLQ0163J100	COIL 10UH	2	
P8933	VJP3176B100	CONNECTOR	1	
Q8671	MSB709-R	TRANSISTOR	1	<R>
Q8672, 73	2SK608-R	TRANSISTOR	2	<R>
Q8701	MSD601-R	TRANSISTOR	1	<R>
Q8801-03	MSD601-R	TRANSISTOR	3	<R>
Q8804	MSB709-R	TRANSISTOR	1	<R>
Q8805, 06	MSD601-R	TRANSISTOR	2	<R>
Q8808, 09	MSD601-R	TRANSISTOR	2	<R>
Q8810	2SA1022-B	TRANSISTOR	1	<R>
Q8811	MSD601-R	TRANSISTOR	1	<R>
Q8812	2SA1022-B	TRANSISTOR	1	<R>
Q8813-15	MSD601-R	TRANSISTOR	3	<R>
Q8816	MSB709-R	TRANSISTOR	1	<R>
Q8817	MSC2295-B	TRANSISTOR	1	<R>
Q8818, 19	MSB709-R	TRANSISTOR	2	<R>
Q8820	MSC2295-B	TRANSISTOR	1	<R>
Q8821	MSB709-R	TRANSISTOR	1	<R>
Q8822	MSC2295-B	TRANSISTOR	1	<R>
Q8823	MSB709-R	TRANSISTOR	1	<R>
Q8824, 25	MSD601-R	TRANSISTOR	2	<R>
Q8826	MSB709-R	TRANSISTOR	1	<R>
Q8827, 28	MSD601-R	TRANSISTOR	2	<R>
Q8829, 30	MSC2295-B	TRANSISTOR	2	<R>
Q8831	XN6534	TRANSISTOR	1	<R>
Q8832	XN1213	TRANSISTOR-TRANSISTOR	1	<R>

Ref.No.	Part No.	Part Name & Description	Pcs	Remarks	Ref.No.	Part No.	Part Name & Description	Pcs	Remarks
R8601	ERJ6GEYJ224	M.RESISTOR CH 1/10W 220K	1		R8801_02	ERJ6GEYG102	M.RESISTOR CH 1/10W 1K	2	
R8602	ERJ6GEYJ684	M.RESISTOR CH 1/10W 680K	1		R8803	ERJ6GEYJ470	M.RESISTOR CH 1/10W 47	1	
R8603	ERJ6GEYJ103	M.RESISTOR CH 1/10W 10K	1		R8804	ERJ6GEYJ332	M.RESISTOR CH 1/10W 3.3K	1	
R8604_05	ERJ6GEYJ822	M.RESISTOR CH 1/10W 8.2K	2		R8805	ERJ6GEYJ103	M.RESISTOR CH 1/10W 10K	1	
R8606	ERJ6GEYJ221	M.RESISTOR CH 1/10W 220	1		R8806	ERJ6GEYJ470	M.RESISTOR CH 1/10W 47	1	
R8607-10	ERJ6GEYJ222	M.RESISTOR CH 1/10W 2.2K	4		R8807	ERJ6GEYJ821	M.RESISTOR CH 1/10W 820	1	
R8611	ERJ6GEYJ683	M.RESISTOR CH 1/10W 68K	1		R8808	ERJ6GEYG472	M.RESISTOR CH 1/10W 4.7K	1	
R8612	ERJ6GEYJ184	M.RESISTOR CH 1/10W 180K	1		R8809	ERJ6GEYJ470	M.RESISTOR CH 1/10W 47	1	
R8613_14	ERJ6GEYJ222	M.RESISTOR CH 1/10W 2.2K	2		R8810-12	ERJ6GEYG102	M.RESISTOR CH 1/10W 1K	3	
R8615	ERJ6GEYJ563	M.RESISTOR CH 1/10W 56K	1		R8813	ERJ6GEYJ470	M.RESISTOR CH 1/10W 47	1	
R8616	ERJ6GEYJ822	M.RESISTOR CH 1/10W 8.2K	1		R8814	ERJ6GEYG102	M.RESISTOR CH 1/10W 1K	1	
R8617	ERJ6GEYJ682	M.RESISTOR CH 1/10W 6.8K	1		R8815	ERJ6GEYJ103	M.RESISTOR CH 1/10W 10K	1	
R8618	ERJ6GEYJ563	M.RESISTOR CH 1/10W 56K	1		R8816	ERJ6GEYG470	M.RESISTOR CH 1/10W 47	1	
R8619	ERJ6GEYJ684	M.RESISTOR CH 1/10W 680K	1		R8817	ERJ6GEYJ821	M.RESISTOR CH 1/10W 820	1	
R8620	ERJ6GEYJ392	M.RESISTOR CH 1/10W 3.9K	1		R8818	ERJ6GEYG472	M.RESISTOR CH 1/10W 4.7K	1	
R8621	ERDS2TJ272	C.RESISTOR 1/4W 2.7K	1		R8822	ERJ6GEYJ471	M.RESISTOR CH 1/10W 470	1	
R8622_23	ERJ6GEYJ102	M.RESISTOR CH 1/10W 1K	2		R8823	ERJ6GEYJ271	M.RESISTOR CH 1/10W 270	1	
R8624	ERJ6GEYJ122	M.RESISTOR CH 1/10W 1.2K	1		R8824	ERJ6GEYJ470	M.RESISTOR CH 1/10W 47	1	
R8625	ERJ6GEYJ473	M.RESISTOR CH 1/10W 47K	1		R8825	ERJ6GEYJ561	M.RESISTOR CH 1/10W 560	1	
R8626	ERJ6GEYJ6153	M.RESISTOR CH 1/10W 15K	1		R8826	ERJ6GEYJ332	M.RESISTOR CH 1/10W 3.3K	1	
R8627	ERJ6GEYJ822	M.RESISTOR CH 1/10W 8.2K	1		R8827	ERJ6GEYJ122	M.RESISTOR CH 1/10W 1.2K	1	
R8628	ERJ6GEYJ6153	M.RESISTOR CH 1/10W 15K	1		R8828	ERJ6GEYOR00	M.RESISTOR CH 1/10W 0	1	
R8629	ERJ6GEYJ103	M.RESISTOR CH 1/10W 10K	1		R8829	ERJ6GEYJ470	M.RESISTOR CH 1/10W 47	1	
R8630	ERJ6GEYJ104	M.RESISTOR CH 1/10W 100K	1		R8830	ERJ6GEYJ332	M.RESISTOR CH 1/10W 3.3K	1	
R8631	ERJ6GEYJ105	M.RESISTOR CH 1/10W 1M	1		R8831	ERJ6GEYJ470	M.RESISTOR CH 1/10W 47	1	
R8632	ERJ6GEYJ471	M.RESISTOR CH 1/10W 470	1		R8832	ERJ6GEYJ682	M.RESISTOR CH 1/10W 6.8K	1	
R8633	ERJ6GEYJ473	M.RESISTOR CH 1/10W 47K	1		R8833	ERJ6GEYJ102	M.RESISTOR CH 1/10W 1K	1	
R8634	ERJ6GEYJ102	M.RESISTOR CH 1/10W 1K	1		R8834	ERJ6GEYJ152	M.RESISTOR CH 1/10W 1.5K	1	
R8636	ERJ6GEYJ223	M.RESISTOR CH 1/10W 22K	1		R8836	ERJ6GEYJ561	M.RESISTOR CH 1/10W 560	1	
R8637	ERJ6GEYJ105	M.RESISTOR CH 1/10W 1M	1		R8838	ERJ6GEYJ222	M.RESISTOR CH 1/10W 2.2K	1	
R8671	ERJ6GEYJ222	M.RESISTOR CH 1/10W 2.2K	1		R8839	ERJ6GEYJ470	M.RESISTOR CH 1/10W 47	1	
R8672	ERJ6GEYJ152	M.RESISTOR CH 1/10W 1.5K	1		R8840	ERJ6GEYJ103	M.RESISTOR CH 1/10W 10K	1	
R8673	ERJ6GEYJ103	M.RESISTOR CH 1/10W 10K	1		R8841	ERJ6GEYJ102	M.RESISTOR CH 1/10W 1K	1	
R8674	ERJ6GEYJ102	M.RESISTOR CH 1/10W 1K	1		R8842	ERJ6GEYJ122	M.RESISTOR CH 1/10W 1.2K	1	
R8676	ERJ6GEYOR00	M.RESISTOR CH 1/10W 0	1		R8843	ERJ6GEYJ222	M.RESISTOR CH 1/10W 2.2K	1	
R8677	ERJ6GEYJ6153	M.RESISTOR CH 1/10W 15K	1		R8844	ERJ6GEYOR00	M.RESISTOR CH 1/10W 0	1	
R8678	ERJ6GEYJ273	M.RESISTOR CH 1/10W 27K	1		R8846	ERJ6GEYJ223	M.RESISTOR CH 1/10W 22K	1	
R8679	ERJ6GEYJ223	M.RESISTOR CH 1/10W 22K	1		R8849	ERJ6GEYOR00	M.RESISTOR CH 1/10W 0	1	
R8680	ERJ6GEYJ105	M.RESISTOR CH 1/10W 1M	1		R8850	ERJ6GEYG103	M.RESISTOR CH 1/10W 10K	1	
R8681	ERJ6GEYJ102	M.RESISTOR CH 1/10W 1K	1		R8851	ERJ6GEYG163	M.RESISTOR CH 1/10W 16K	1	
R8682	ERJ6GEYJ473	M.RESISTOR CH 1/10W 47K	1		R8853	ERJ6GEYJ332	M.RESISTOR CH 1/10W 3.3K	1	
R8683	ERJ6GEYJ822	M.RESISTOR CH 1/10W 8.2K	1		R8855	ERJ6GEYG103	M.RESISTOR CH 1/10W 10K	1	
R8684	ERJ6GEYJ6153	M.RESISTOR CH 1/10W 15K	1		R8856	ERJ6GEYG163	M.RESISTOR CH 1/10W 16K	1	
R8685_86	ERJ6GEYJ473	M.RESISTOR CH 1/10W 47K	2		R8859	ERJ6GEYOR00	M.RESISTOR CH 1/10W 0	1	
R8687_88	ERJ6GEYJ332	M.RESISTOR CH 1/10W 3.3K	2		R8860	ERJ6GEYG301	M.RESISTOR CH 1/10W 300	1	
R8689	ERJ6GEYJ102	M.RESISTOR CH 1/10W 1K	1		R8861	ERJ6GEYJ470	M.RESISTOR CH 1/10W 47	1	
R8690	ERJ6GEYJ272	M.RESISTOR CH 1/10W 2.7K	1		R8862	ERJ6GEYG301	M.RESISTOR CH 1/10W 300	1	
R8691	ERJ6GEYJ822	M.RESISTOR CH 1/10W 8.2K	1		R8864	ERJ6GEYG472	M.RESISTOR CH 1/10W 4.7K	1	
R8692	ERJ6GEYJ821	M.RESISTOR CH 1/10W 820	1		R8865	ERJ6GEYJ182	M.RESISTOR CH 1/10W 1.8K	1	
R8693	ERJ6GEYJ152	M.RESISTOR CH 1/10W 1.5K	1		R8866	VRE0034E122	M.RESISTOR CH 1/10W 1.2K	1	
R8694	ERJ6GEYJ102	M.RESISTOR CH 1/10W 1K	1		R8867	ERJ6GEYOR00	M.RESISTOR CH 1/10W 0	1	
R8696_97	ERJ6GEYOR00	M.RESISTOR CH 1/10W 0	2		R8869	ERJ6GEYJ222	M.RESISTOR CH 1/10W 2.2K	1	
R8701	ERJ6GEYOR00	M.RESISTOR CH 1/10W 0	1		R8870	VRE0034E122	M.RESISTOR CH 1/10W 1.2K	1	
R8703	ERJ6GEYJ562	M.RESISTOR CH 1/10W 5.6K	1		R8871	ERJ6GEYOR00	M.RESISTOR CH 1/10W 0	1	
R8704	ERJ6GEYJ103	M.RESISTOR CH 1/10W 10K	1		R8873	ERJ6GEYJ222	M.RESISTOR CH 1/10W 2.2K	1	
R8705	ERJ6GEYJ684	M.RESISTOR CH 1/10W 680K	1		R8875	ERJ6GEYJ102	M.RESISTOR CH 1/10W 1K	1	
R8706	ERJ6GEYJ103	M.RESISTOR CH 1/10W 10K	1		R8876	ERJ6GEYG472	M.RESISTOR CH 1/10W 4.7K	1	
R8707	ERJ6GEYJ563	M.RESISTOR CH 1/10W 56K	1		R8877	ERJ6GEYJ471	M.RESISTOR CH 1/10W 470	1	
R8708	ERJ6GEYJ222	M.RESISTOR CH 1/10W 2.2K	1		R8878	ERJ6GEYG472	M.RESISTOR CH 1/10W 4.7K	1	
R8709	ERJ6GEYJ682	M.RESISTOR CH 1/10W 6.8K	1		R8880	ERJ6GEYJ102	M.RESISTOR CH 1/10W 1K	1	
R8710	ERJ6GEYJ104	M.RESISTOR CH 1/10W 100K	1		R8881	ERJ6GEYJ821	M.RESISTOR CH 1/10W 820	1	
R8713	ERJ6GEYOR00	M.RESISTOR CH 1/10W 0	1		R8882	ERJ6GEYJ471	M.RESISTOR CH 1/10W 470	1	
R8715	ERJ6GEYOR00	M.RESISTOR CH 1/10W 0	1		R8883	ERJ6GEYG472	M.RESISTOR CH 1/10W 4.7K	1	
R8717-21	ERJ6GEYJ101	M.RESISTOR CH 1/10W 100	5		R8884	ERJ6GEYJ102	M.RESISTOR CH 1/10W 1K	1	
R8722-27	ERJ6GEYJ560	M.RESISTOR CH 1/10W 56	6		R8885	ERJ6GEYOR00	M.RESISTOR CH 1/10W 0	1	
R8728	ERJ6GEYJ102	M.RESISTOR CH 1/10W 1K	1		R8886	ERJ6GEYJ102	M.RESISTOR CH 1/10W 1K	1	
R8729	ERJ6GEYJ152	M.RESISTOR CH 1/10W 1.5K	1		R8887	ERJ6GEYJ470	M.RESISTOR CH 1/10W 47	1	
R8731_32	ERJ6GEYJ560	M.RESISTOR CH 1/10W 56	2		R8888	ERJ6GEYJ332	M.RESISTOR CH 1/10W 3.3K	1	
R8733_34	ERJ6GEYJ471	M.RESISTOR CH 1/10W 470	2		R8889	ERJ6GEYJ102	M.RESISTOR CH 1/10W 1K	1	
R8736	ERJ6GEYJ101	M.RESISTOR CH 1/10W 100	1		R8890	ERJ6GEYOR00	M.RESISTOR CH 1/10W 0	1	
R8737	ERJ6GEYJ152	M.RESISTOR CH 1/10W 1.5K	1		R8891	ERJ6GEYJ470	M.RESISTOR CH 1/10W 47	1	
R8739	ERJ6GEYOR00	M.RESISTOR CH 1/10W 0	1		R8892	ERJ6GEYJ102	M.RESISTOR CH 1/10W 1K	1	
R8740	ERJ6GEYJ102	M.RESISTOR CH 1/10W 1K	1		R8893	ERJ6GEYJ332	M.RESISTOR CH 1/10W 3.3K	1	
R8741	ERJ6GEYJ104	M.RESISTOR CH 1/10W 100K	1		R8894	ERJ6GEYJ821	M.RESISTOR CH 1/10W 820	1	
R8743	ERJ6GEYJ102	M.RESISTOR CH 1/10W 1K	1		R8895	ERJ6GEYG472	M.RESISTOR CH 1/10W 4.7K	1	

Ref.No.	Part No.	Part Name & Description	Pcs	Remarks	Ref.No.	Part No.	Part Name & Description	Pcs	Remarks
R8896	ERJ6GEYJ102	M.RESISTOR CH 1/10W 1K	1						
R8897	ERJ6GEYJ181	M.RESISTOR CH 1/10W 180	1						
R8898	ERJ6GEYJ821	M.RESISTOR CH 1/10W 820	1						
R8899	ERJ6GEYJ152	M.RESISTOR CH 1/10W 1.5K	1		VC8671	ECV1ZW20X60	V.CAPACITOR 20P	1	
R8900	ERJ6GEYJ470	M.RESISTOR CH 1/10W 47	1		VC8801	ECV1ZW20X60	V.CAPACITOR 20P	1	
R8901	ERJ6GEYJ102	M.RESISTOR CH 1/10W 1K	1						
R8902	ERJ6GEYJ471	M.RESISTOR CH 1/10W 470	1						
R8903	ERJ6GEYJ102	M.RESISTOR CH 1/10W 1K	1		VR8601	EVN32CA00B54	V.RESISTOR 50K	1	
R8904	ERJ6GEYJ122	M.RESISTOR CH 1/10W 1.2K	1		VR8602	EVN32CA00B53	V.RESISTOR 5K	1	
R8905	ERJ6GEYJ152	M.RESISTOR CH 1/10W 1.5K	1		VR8603	EVN32CA00B14	V.RESISTOR 10K	1	
R8906-08	ERJ6GEYJ223	M.RESISTOR CH 1/10W 22K	3		VR8604	EVN32CA00B53	V.RESISTOR 5K	1	
R8909	ERJ6GEYJ152	M.RESISTOR CH 1/10W 1.5K	1		VR8701	EVN32CA00B53	V.RESISTOR 5K	1	
R8910	ERJ6GEYJ102	M.RESISTOR CH 1/10W 1K	1		VR8801,02	EVN32CA00B14	V.RESISTOR 10K	2	
R8911	ERJ6GEYJ154	M.RESISTOR CH 1/10W 150K	1		VR8803	EVN32CA00B13	V.RESISTOR 1K	1	
R8912	ERJ6GEYJ182	M.RESISTOR CH 1/10W 1.8K	1		VR8804	EVN32CA00B23	V.RESISTOR 2K	1	
R8913	ERJ6GEYJ102	M.RESISTOR CH 1/10W 1K	1		VR8805	EVN32CA00B24	VARIABLE 20K	1	
R8914	ERJ6GEYJ122	M.RESISTOR CH 1/10W 1.2K	1		VR8806	EVN32CA00B13	V.RESISTOR 1K	1	
R8915	ERJ6GEYJ330	M.RESISTOR CH 1/10W 33	1		VR8807,08	EVN32CA00B23	V.RESISTOR 2K	2	
R8916	ERJ6GEYJ221	M.RESISTOR CH 1/10W 220	1		VR8809	EVN32CA00B13	V.RESISTOR 1K	1	
R8917	ERJ6GEYJ105	M.RESISTOR CH 1/10W 1M	1		VR8810,11	EVN32CA00B53	V.RESISTOR 5K	2	
R8918	ERJ6GEYJ154	M.RESISTOR CH 1/10W 150K	1		VR8814	EVN32CA00B13	V.RESISTOR 1K	1	
R8919	ERJ6GEYJ152	M.RESISTOR CH 1/10W 1.5K	1		VR8815	EVN32CA00B52	V.RESISTOR 500	1	
R8920	ERJ6GEYJ103	M.RESISTOR CH 1/10W 10K	1						
R8921,22	ERJ6GEYJ102	M.RESISTOR CH 1/10W 1K	2						
R8923	ERJ6GEYJ122	M.RESISTOR CH 1/10W 1.2K	1						
R8924	ERJ6GEYR000	M.RESISTOR CH 1/10W 0	1		X8601	VSX0270	CRYSTAL OSCILLATOR	1	<R>
R8925	ERJ6GEYJ152	M.RESISTOR CH 1/10W 1.5K	1		X8602	VSX0567	CRYSTAL OSCILLATOR	1	<R>
R8926	ERJ6GEYJ470	M.RESISTOR CH 1/10W 47	1		X8671	VSX0114	CRYSTAL OSCILLATOR	1	<R>
R8928	ERJ6GEYJ103	M.RESISTOR CH 1/10W 10K	1						
R8929	ERJ6GEYJ391	M.RESISTOR CH 1/10W 390	1						
R8930	ERJ6GEYJ181	M.RESISTOR CH 1/10W 180	1						
R8931	ERJ6GEYJ331	M.RESISTOR CH 1/10W 330	1						
R8932	ERJ6GEYJ181	M.RESISTOR CH 1/10W 180	1				MISCELLANEOUS		
R8933	ERJ6GEYJ103	M.RESISTOR CH 1/10W 10K	1		E48	VMZ2228	INSULATOR	1	
R8934-36	ERJ6GEYJ223	M.RESISTOR CH 1/10W 22K	3		E49	VSC3973	SHIELD PLATE	1	
R8937	ERJ6GEYJ470	M.RESISTOR CH 1/10W 47	1		E50	XTV3+6FFR	SCREW	2	
R8938	ERJ6GEYJ152	M.RESISTOR CH 1/10W 1.5K	1						
R8939	ERJ6GEYJ391	M.RESISTOR CH 1/10W 390	1						
R8940	ERJ6GEYJ102	M.RESISTOR CH 1/10W 1K	1						
R8941	ERJ6GEYJ242	M.RESISTOR CH 1/10W 2.4K	1						
R8942	ERJ6GEYJ124	M.RESISTOR CH 1/10W 120K	1						
R8943	ERJ6GEYJ682	M.RESISTOR CH 1/10W 6.8K	1						
R8944	ERJ6GEYJ102	M.RESISTOR CH 1/10W 1K	1						
R8945	ERJ6GEYJ683	M.RESISTOR CH 1/10W 68K	1						
R8947	ERJ6GEYJ104	M.RESISTOR CH 1/10W 100K	1						
R8948	ERJ6GEYJ682	M.RESISTOR CH 1/10W 6.8K	1						
R8952	ERJ6GEYJ471	M.RESISTOR CH 1/10W 470	1						
R8953,54	ERJ6GEYJ101	M.RESISTOR CH 1/10W 100	2						
R8955-57	ERJ6GEYJ332	M.RESISTOR CH 1/10W 3.3K	3						
R8958	ERJ6GEYJ392	M.RESISTOR CH 1/10W 3.9K	1						
R8959-63	ERJ6GEYJ470	M.RESISTOR CH 1/10W 47	5						
R8964,65	ERJ6GEYJ103	M.RESISTOR CH 1/10W 10K	2						
R8966	ERJ6GEYJ470	M.RESISTOR CH 1/10W 47	1						
R8968	ERJ6GEYJ222	M.RESISTOR CH 1/10W 2.2K	1						
R8969	ERJ6GEYJ470	M.RESISTOR CH 1/10W 47	1						
R8971	ERJ6GEYJ471	M.RESISTOR CH 1/10W 470	1						
R8973	ERJ6GEYJ471	M.RESISTOR CH 1/10W 470	1						
R8974	ERJ6GEYJ102	M.RESISTOR CH 1/10W 1K	1						
R8975,76	ERJ6GEYJ105	M.RESISTOR CH 1/10W 1M	2						
R8977,78	ERJ6GEYJ562	M.RESISTOR CH 1/10W 5.6K	2						
R8979	ERJ6GEYJ683	M.RESISTOR CH 1/10W 68K	1						
R8980	ERJ6GEYJ912	M.RESISTOR CH 1/10W 9.1K	1						
R8982	ERJ6GEYJ102	M.RESISTOR CH 1/10W 1K	1						
R8983	ERJ6GEYJ152	M.RESISTOR CH 1/10W 1.5K	1						
R8985,86	ERJ6GEYR000	M.RESISTOR CH 1/10W 0	2						
R8989	ERJ6GEYR000	M.RESISTOR CH 1/10W 0	1						
SW8701	VSR0045	SWITCH	1	<R>					
TH8801	ERTD2FHL102S	THERMISTOR	1K	1					







Ref.No.	Part No.	Part Name & Description	Pcs	Remarks	Ref.No.	Part No.	Part Name & Description	Pcs	Remarks
R8162	ERJ6GEYJ821	M.RESISTOR CH 1/10W 820	1		R8263	ERJ6GEYJ124	M.RESISTOR CH 1/10W 120K	1	
R8163	ERJ6GEYJ102	M.RESISTOR CH 1/10W 1K	1		R8264	ERJ6GEYJ272	M.RESISTOR CH 1/10W 2.7K	1	
R8164	ERJ6GEYJ123	M.RESISTOR CH 1/10W 12K	1		R8265	ERJ6GEYJ182	M.RESISTOR CH 1/10W 1.8K	1	
R8165	ERJ6GEYJ821	M.RESISTOR CH 1/10W 820	1		R8266	ERJ6GEYOR00	M.RESISTOR CH 1/10W 0	1	
R8166	ERJ6GEYJ153	M.RESISTOR CH 1/10W 15K	1		R8267	ERJ6GEYJ101	M.RESISTOR CH 1/10W 100	1	
R8167	ERJ6GEYJ182	M.RESISTOR CH 1/10W 1.8K	1		R8268	ERJ6GEYJ102	M.RESISTOR CH 1/10W 1K	1	
R8168	ERJ6GEYJ153	M.RESISTOR CH 1/10W 15K	1		R8269	ERJ6GEYJ151	M.RESISTOR CH 1/10W 150	1	
R8169	ERJ6GEYJ332	M.RESISTOR CH 1/10W 3.3K	1		R8270	ERJ6GEYJ102	M.RESISTOR CH 1/10W 1K	1	
R8170	ERJ6GEYJ562	M.RESISTOR CH 1/10W 5.6K	1		R8271	ERJ6GEYJ222	M.RESISTOR CH 1/10W 2.2K	1	
R8171	ERJ6GEYJ182	M.RESISTOR CH 1/10W 1.8K	1		R8272	ERJ6GEYJ391	M.RESISTOR CH 1/10W 390	1	
R8172	ERJ6GEYJ222	M.RESISTOR CH 1/10W 2.2K	1		R8273	ERJ6GEYJ680	M.RESISTOR CH 1/10W 68	1	
R8173	ERJ6GEYOR00	M.RESISTOR CH 1/10W 0	1		R8274	ERJ6GEYJ105	M.RESISTOR CH 1/10W 1M	1	
R8174	ERJ6GEYJ182	M.RESISTOR CH 1/10W 1.8K	1		R8275	ERJ6GEYJ750	M.RESISTOR CH 1/10W 75	1	
R8175, 76	ERJ6GEYOR00	M.RESISTOR CH 1/10W 0	2		R8303	ERJ6GEYJ222	M.RESISTOR CH 1/10W 2.2K	1	
R8177	ERJ6GEYJ222	M.RESISTOR CH 1/10W 2.2K	1		R8304	ERJ6GEYJ392	M.RESISTOR CH 1/10W 3.9K	1	
R8201	ERJ6GEYOR00	M.RESISTOR CH 1/10W 0	1		R8305	ERJ6GEYJ561	M.RESISTOR CH 1/10W 560	1	
R8202	ERJ6GEYJ333	M.RESISTOR CH 1/10W 33K	1		R8311	ERJ6GEYJ182	M.RESISTOR CH 1/10W 1.8K	1	
R8203	ERJ6GEYJ123	M.RESISTOR CH 1/10W 12K	1		R8313, 14	ERJ6GEYOR00	M.RESISTOR CH 1/10W 0	2	
R8204	ERJ6GEYJ152	M.RESISTOR CH 1/10W 1.5K	1		R8316, 17	ERJ6GEYOR00	M.RESISTOR CH 1/10W 0	2	
R8205	ERJ6GEYJ273	M.RESISTOR CH 1/10W 27K	1		R8319	ERJ6GEYJ102	M.RESISTOR CH 1/10W 1K	1	
R8206	ERJ6GEYJ152	M.RESISTOR CH 1/10W 1.5K	1		R8320	ERJ6GEYJ104	M.RESISTOR CH 1/10W 100K	1	
R8207	ERJ6GEYJ102	M.RESISTOR CH 1/10W 1K	1		R8322	ERJ6GEYJ103	M.RESISTOR CH 1/10W 10K	1	
R8208	ERJ6GEYJ224	M.RESISTOR CH 1/10W 220K	1		R8401, 02	ERJ6GEYOR00	M.RESISTOR CH 1/10W 0	2	
R8209	ERJ6GEYOR00	M.RESISTOR CH 1/10W 0	1		R8404	ERJ6GEYOR00	M.RESISTOR CH 1/10W 0	1	
R8210	ERJ6GEYJ223	M.RESISTOR CH 1/10W 22K	1		R8405	ERJ6GEYJ101	M.RESISTOR CH 1/10W 100	1	
R8211	ERJ6GEYOR00	M.RESISTOR CH 1/10W 0	1		R8407-12	ERJ6GEYOR00	M.RESISTOR CH 1/10W 0	6	
R8212	ERJ6GEYJ392	M.RESISTOR CH 1/10W 3.9K	1		R8414-16	ERJ6GEYOR00	M.RESISTOR CH 1/10W 0	3	
R8213	ERJ6GEYJ104	M.RESISTOR CH 1/10W 100K	1		R8417	ERJ6GEYJ393	M.RESISTOR CH 1/10W 39K	1	
R8214	ERJ6GEYJ273	M.RESISTOR CH 1/10W 27K	1		R8418	ERJ6GEYJ103	M.RESISTOR CH 1/10W 10K	1	
R8215	ERJ6GEYJ102	M.RESISTOR CH 1/10W 1K	1		R8501, 02	ERJ6GEYOR00	M.RESISTOR CH 1/10W 0	2	
R8216	ERJ6GEYJ105	M.RESISTOR CH 1/10W 1M	1		R8520	ERJ6GEYJ105	M.RESISTOR CH 1/10W 1M	1	
R8217	ERJ6GEYJ392	M.RESISTOR CH 1/10W 3.9K	1		R8521, 22	ERJ6GEYOR00	M.RESISTOR CH 1/10W 0	2	
R8218	ERJ6GEYOR00	M.RESISTOR CH 1/10W 0	1		R8551-53	ERJ6GEYJ101	M.RESISTOR CH 1/10W 100	3	
R8219	ERJ6GEYJ101	M.RESISTOR CH 1/10W 100	1		R8554-56	ERJ6GEYJ471	M.RESISTOR CH 1/10W 470	3	
R8220, 21	ERJ6GEYOR00	M.RESISTOR CH 1/10W 0	2		R8557-60	ERJ6GEYJ101	M.RESISTOR CH 1/10W 100	4	
R8222	ERJ6GEYJ273	M.RESISTOR CH 1/10W 27K	1		R8561-65	ERJ6GEYJ471	M.RESISTOR CH 1/10W 470	5	
R8223	ERJ6GEYJ152	M.RESISTOR CH 1/10W 1.5K	1		R8567-69	ERJ6GEYJ101	M.RESISTOR CH 1/10W 100	3	
R8224	ERJ6GEYJ102	M.RESISTOR CH 1/10W 1K	1		R8570-75	ERJ6GEYJ471	M.RESISTOR CH 1/10W 470	6	
R8225	ERJ6GEYJ224	M.RESISTOR CH 1/10W 220K	1		R8577	ERJ6GEYJ101	M.RESISTOR CH 1/10W 100	1	
R8226	ERJ6GEYJ223	M.RESISTOR CH 1/10W 22K	1		R8578-81	ERJ6GEYJ471	M.RESISTOR CH 1/10W 470	4	
R8227	ERJ6GEYOR00	M.RESISTOR CH 1/10W 0	1		R8582	ERJ6GEYJ101	M.RESISTOR CH 1/10W 100	1	
R8228	ERJ6GEYJ223	M.RESISTOR CH 1/10W 22K	1		R8584, 85	ERJ6GEYJ471	M.RESISTOR CH 1/10W 470	2	
R8229	ERJ6GEYOR00	M.RESISTOR CH 1/10W 0	1		R8586-88	ERJ6GEYJ101	M.RESISTOR CH 1/10W 100	3	
R8230	ERJ6GEYJ392	M.RESISTOR CH 1/10W 3.9K	1		R8589	ERJ6GEYJ471	M.RESISTOR CH 1/10W 470	1	
R8231	ERJ6GEYJ273	M.RESISTOR CH 1/10W 27K	1		R8590-92	ERJ6GEYOR00	M.RESISTOR CH 1/8W 0	3	
R8232	ERJ6GEYJ473	M.RESISTOR CH 1/10W 47K	1		R8593	ERJ6GEYJ101	M.RESISTOR CH 1/10W 100	1	
R8233	ERJ6GEYJ152	M.RESISTOR CH 1/10W 1.5K	1		R8594	ERJ6GEYJ471	M.RESISTOR CH 1/10W 470	1	
R8234	ERJ6GEYJ105	M.RESISTOR CH 1/10W 1M	1						
R8235	ERJ6GEYJ103	M.RESISTOR CH 1/10W 10K	1						
R8236	ERJ6GEYOR00	M.RESISTOR CH 1/10W 0	1						
R8237	ERJ6GEYJ101	M.RESISTOR CH 1/10W 100	1		TH8201	ERTD2FGL102S	THERMISTOR	1K	1
R8238	ERJ6GEYJ273	M.RESISTOR CH 1/10W 27K	1						
R8239	ERJ6GEYJ152	M.RESISTOR CH 1/10W 1.5K	1						
R8240	ERJ6GEYJ102	M.RESISTOR CH 1/10W 1K	1						
R8241	ERJ6GEYJ224	M.RESISTOR CH 1/10W 220K	1						
R8242	ERJ6GEYOR00	M.RESISTOR CH 1/10W 0	1		VC8501	ECV1ZW20X60	V. CAPACITOR	20P	1
R8243	ERJ6GEYJ392	M.RESISTOR CH 1/10W 3.9K	1						
R8244	ERJ6GEYOR00	M.RESISTOR CH 1/10W 0	1						
R8245	ERJ6GEYJ473	M.RESISTOR CH 1/10W 47K	1						
R8246	ERJ6GEYJ273	M.RESISTOR CH 1/10W 27K	1		VR8001	EVN32CA00B53	V. RESISTOR	5K	1
R8247	ERJ6GEYJ152	M.RESISTOR CH 1/10W 1.5K	1		VR8002	EVN32CA00B23	V. RESISTOR	2K	1
R8248	ERJ6GEYJ153	M.RESISTOR CH 1/10W 15K	1		VR8151, 52	EVN32CA00B23	V. RESISTOR	2K	2
R8249	ERJ6GEYOR00	M.RESISTOR CH 1/10W 0	1		VR8201	EVN32CA00B53	V. RESISTOR	5K	1
R8250	ERJ6GEYJ101	M.RESISTOR CH 1/10W 100	1		VR8202	EVN32CA00B13	V. RESISTOR	1K	1
R8251	ERJ6GEYJ393	M.RESISTOR CH 1/10W 39K	1		VR8203	EVN32CA00B53	V. RESISTOR	5K	1
R8252	ERJ6GEYJ473	M.RESISTOR CH 1/10W 47K	1		VR8204, 05	EVN32CA00B13	V. RESISTOR	1K	2
R8253	ERJ6GEYJ333	M.RESISTOR CH 1/10W 33K	1		VR8206	EVN32CA00B24	VARIABLE	20K	1
R8254	ERJ6GEYJ103	M.RESISTOR CH 1/10W 10K	1		VR8207	EVN32CA00B14	V. RESISTOR	10K	1
R8255	ERJ6GEYJ223	M.RESISTOR CH 1/10W 22K	1		VR8301, 02	EVN32CA00B13	V. RESISTOR	1K	2
R8256	ERJ6GEYJ331	M.RESISTOR CH 1/10W 330	1						
R8257	ERJ6GEYJ683	M.RESISTOR CH 1/10W 68K	1						
R8259	ERJ6GEYJ103	M.RESISTOR CH 1/10W 10K	1		X8201	VSX0225	CRYSTAL OSCILLATOR		1 <R>
R8260	ERJ6GEYJ154	M.RESISTOR CH 1/10W 150K	1		X8502	VSX0795	CRYSTAL OSCILLATOR		1 <R>
R8261	ERJ6GEYJ153	M.RESISTOR CH 1/10W 15K	1						
R8262	ERJ6GEYJ333	M.RESISTOR CH 1/10W 33K	1						







Ref.No.	Part No.	Part Name & Description	Pcs	Remarks	Ref.No.	Part No.	Part Name & Description	Pcs	Remarks
R4167	ERJ6GEYJ102	M.RESISTOR CH 1/10W 1K	1		R6698	ERJ6GEY0R00	M.RESISTOR CH 1/10W 0	1	
R4168	ERJ6GEYJ103	M.RESISTOR CH 1/10W 10K	1						
R4169	ERJ6GEYJ822	M.RESISTOR CH 1/10W 8.2K	1						
R4170	ERJ6GEYJ470	M.RESISTOR CH 1/10W 47	1						
R4171	ERJ6GEYJ103	M.RESISTOR CH 1/10W 10K	1		SW4004_05	VSS0208	SWITCH	2	<R>
R4172	ERJ6GEY6912	M.RESISTOR CH 1/10W 9.1K	1						
R4173-75	ERJ6GEYJ103	M.RESISTOR CH 1/10W 10K	3						
R4185	ERJ6GEYJ473	M.RESISTOR CH 1/10W 47K	1		VR4005-08	EVN32CA00B53	V.RESISTOR 5K	4	
R4186,87	ERJ6GEYJ332	M.RESISTOR CH 1/10W 3.3K	2						
R4188	ERJ6GEYJ822	M.RESISTOR CH 1/10W 8.2K	1						
R4189	ERJ6GEY6912	M.RESISTOR CH 1/10W 9.1K	1						
R4190	ERJ6GEYJ470	M.RESISTOR CH 1/10W 47	1						
R4191,92	ERJ6GEYJ332	M.RESISTOR CH 1/10W 3.3K	2		X6601	VSX0316	CRYSTAL OSCILLATOR	1	<R>
R4193	ERJ6GEYJ822	M.RESISTOR CH 1/10W 8.2K	1						
R4194	ERJ6GEYJ562	M.RESISTOR CH 1/10W 5.6K	1						
R4195	ERJ6GEYJ102	M.RESISTOR CH 1/10W 1K	1						
R4196	ERJ6GEYJ470	M.RESISTOR CH 1/10W 47	1						
R4197-01	ERJ6GEYJ103	M.RESISTOR CH 1/10W 10K	5						
R4204	ERJ6GEYJ104	M.RESISTOR CH 1/10W 100K	1						
R4205	ERJ6GEYJ563	M.RESISTOR CH 1/10W 56K	1						
R4206,07	ERJ6GEYJ151	M.RESISTOR CH 1/10W 150	2						
R4208-11	ERJ6GEYJ562	M.RESISTOR CH 1/10W 5.6K	4						
R6601	ERJ6GEYJ332	M.RESISTOR CH 1/10W 3.3K	1						
R6602	ERJ6GEYJ470	M.RESISTOR CH 1/10W 47	1						
R6604	ERJ6GEYJ750	M.RESISTOR CH 1/10W 75	1						
R6607	ERJ6GEYJ470	M.RESISTOR CH 1/10W 47	1						
R6608	ERJ6GEYJ102	M.RESISTOR CH 1/10W 1K	1						
R6609	ERJ6GEYJ472	M.RESISTOR CH 1/10W 4.7K	1						
R6610	ERJ6GEYJ272	M.RESISTOR CH 1/10W 2.7K	1						
R6618	ERJ6GEYJ221	M.RESISTOR CH 1/10W 220	1						
R6619	ERJ6GEYJ102	M.RESISTOR CH 1/10W 1K	1						
R6620	ERJ6GEYJ470	M.RESISTOR CH 1/10W 47	1						
R6621,22	VRE0034E102	M.RESISTOR CH 1/10W 1K	2						
R6623	ERJ6GEYJ104	M.RESISTOR CH 1/10W 100K	1						
R6624-26	ERJ6GEYJ103	M.RESISTOR CH 1/10W 10K	3						
R6628-31	VRE0034E471	M.RESISTOR CH 1/10W 470	4						
R6632,33	ERJ6GEYJ103	M.RESISTOR CH 1/10W 10K	2						
R6634-37	VRE0034E471	M.RESISTOR CH 1/10W 470	4						
R6639-48	VRE0034E471	M.RESISTOR CH 1/10W 470	10						
R6649	ERJ6GEYJ152	M.RESISTOR CH 1/10W 1.5K	1						
R6650	ERJ6GEYJ474	M.RESISTOR CH 1/10W 470K	1						
R6651	ERJ6GEY0R00	M.RESISTOR CH 1/10W 0	1						
R6652	ERJ6GEYJ104	M.RESISTOR CH 1/10W 100K	1						
R6653	ERJ6GEYJ562	M.RESISTOR CH 1/10W 5.6K	1						
R6654,55	ERJ6GEYJ152	M.RESISTOR CH 1/10W 1.5K	2						
R6656	ERJ6GEYJ271	M.RESISTOR CH 1/10W 270	1						
R6657	ERJ6GEYJ102	M.RESISTOR CH 1/10W 1K	1						
R6658	ERJ6GEYJ681	M.RESISTOR CH 1/10W 680	1						
R6659	ERJ6GEYJ272	M.RESISTOR CH 1/10W 2.7K	1						
R6660	ERJ6GEYJ391	M.RESISTOR CH 1/10W 390	1						
R6662	ERJ6GEYJ471	M.RESISTOR CH 1/10W 470	1						
R6663	ERJ6GEYJ222	M.RESISTOR CH 1/10W 2.2K	1						
R6664	ERJ6GEYJ272	M.RESISTOR CH 1/10W 2.7K	1						
R6665	ERJ6GEYJ182	M.RESISTOR CH 1/10W 1.8K	1						
R6666	ERJ6GEYJ332	M.RESISTOR CH 1/10W 3.3K	1						
R6667	ERJ6GEYJ223	M.RESISTOR CH 1/10W 22K	1						
R6668	ERJ6GEYJ103	M.RESISTOR CH 1/10W 10K	1						
R6669	ERJ6GEYJ124	M.RESISTOR CH 1/10W 120K	1						
R6670	ERJ6GEYJ102	M.RESISTOR CH 1/10W 1K	1						
R6671	ERJ6GEYJ221	M.RESISTOR CH 1/10W 220	1						
R6672	ERJ6GEYJ103	M.RESISTOR CH 1/10W 10K	1						
R6673	ERJ6GEYJ561	M.RESISTOR CH 1/10W 560	1						
R6675	ERJ6GEYJ332	M.RESISTOR CH 1/10W 3.3K	1						
R6677,78	VRE0034E471	M.RESISTOR CH 1/10W 470	2						
R6679,80	ERJ6GEYJ103	M.RESISTOR CH 1/10W 10K	2						
R6681	ERJ6GEYJ152	M.RESISTOR CH 1/10W 1.5K	1						
R6683	ERJ6GEYJ104	M.RESISTOR CH 1/10W 100K	1						
R6684	ERJ6GEYJ103	M.RESISTOR CH 1/10W 10K	1						
R6685	ERJ6GEYJ152	M.RESISTOR CH 1/10W 1.5K	1						
R6686,87	ERJ6GEYJ330	M.RESISTOR CH 1/10W 33	2						
R6689	ERJ6GEYJ152	M.RESISTOR CH 1/10W 1.5K	1						
R6690	ERJ6GEYJ102	M.RESISTOR CH 1/10W 1K	1						
R6691	ERJ6GEYJ152	M.RESISTOR CH 1/10W 1.5K	1						
R6694	ERJ6GEYJ104	M.RESISTOR CH 1/10W 100K	1						
R6695	ERJ6GEYJ331	M.RESISTOR CH 1/10W 330	1						



Ref.No.	Part No.	Part Name & Description	Pcs	Remarks
R4159	ERJ6GEYJ473	M.RESISTOR CH 1/10W 47K	1	
R4160,61	ERJ6GEYJ332	M.RESISTOR CH 1/10W 3.3K	2	
R4162	ERJ6GEYJ822	M.RESISTOR CH 1/10W 8.2K	1	
R4163	ERJ6GEYJ470	M.RESISTOR CH 1/10W 47	1	
R4164,65	ERJ6GEYJ332	M.RESISTOR CH 1/10W 3.3K	2	
R4166	ERJ6GEYJ562	M.RESISTOR CH 1/10W 5.6K	1	
R4167	ERJ6GEYJ102	M.RESISTOR CH 1/10W 1K	1	
R4168	ERJ6GEYJ103	M.RESISTOR CH 1/10W 10K	1	
R4169	ERJ6GEYJ822	M.RESISTOR CH 1/10W 8.2K	1	
R4170	ERJ6GEYJ470	M.RESISTOR CH 1/10W 47	1	
R4171	ERJ6GEYJ103	M.RESISTOR CH 1/10W 10K	1	
R4172	ERJ6GEYJ912	M.RESISTOR CH 1/10W 9.1K	1	
R4173-75	ERJ6GEYJ103	M.RESISTOR CH 1/10W 10K	3	
R4185	ERJ6GEYJ473	M.RESISTOR CH 1/10W 47K	1	
R4186,87	ERJ6GEYJ332	M.RESISTOR CH 1/10W 3.3K	2	
R4188	ERJ6GEYJ822	M.RESISTOR CH 1/10W 8.2K	1	
R4189	ERJ6GEYJ912	M.RESISTOR CH 1/10W 9.1K	1	
R4190	ERJ6GEYJ470	M.RESISTOR CH 1/10W 47	1	
R4191,92	ERJ6GEYJ332	M.RESISTOR CH 1/10W 3.3K	2	
R4193	ERJ6GEYJ822	M.RESISTOR CH 1/10W 8.2K	1	
R4194	ERJ6GEYJ562	M.RESISTOR CH 1/10W 5.6K	1	
R4195	ERJ6GEYJ102	M.RESISTOR CH 1/10W 1K	1	
R4196	ERJ6GEYJ470	M.RESISTOR CH 1/10W 47	1	
R4197-01	ERJ6GEYJ103	M.RESISTOR CH 1/10W 10K	5	
R4204	ERJ6GEYJ104	M.RESISTOR CH 1/10W 100K	1	
R4205	ERJ6GEYJ563	M.RESISTOR CH 1/10W 56K	1	
R6618	ERJ6GEYJ221	M.RESISTOR CH 1/10W 220	1	
R6619	ERJ6GEYJ102	M.RESISTOR CH 1/10W 1K	1	
R6620	ERJ6GEYJ470	M.RESISTOR CH 1/10W 47	1	
R6621,22	VRE0034E102	M.RESISTOR CH 1/10W 1K	2	
R6623	ERJ6GEYJ104	M.RESISTOR CH 1/10W 100K	1	
R6624-26	ERJ6GEYJ103	M.RESISTOR CH 1/10W 10K	3	
R6628-31	VRE0034E471	M.RESISTOR CH 1/10W 470	4	
R6632,33	ERJ6GEYJ103	M.RESISTOR CH 1/10W 10K	2	
R6634-37	VRE0034E471	M.RESISTOR CH 1/10W 470	4	
R6639-48	VRE0034E471	M.RESISTOR CH 1/10W 470	10	
R6649	ERJ6GEYJ152	M.RESISTOR CH 1/10W 1.5K	1	
R6650	ERJ6GEYJ474	M.RESISTOR CH 1/10W 470K	1	
R6651	ERJ6GEYOR00	M.RESISTOR CH 1/10W 0	1	
R6652	ERJ6GEYJ104	M.RESISTOR CH 1/10W 100K	1	
R6653	ERJ6GEYJ562	M.RESISTOR CH 1/10W 5.6K	1	
R6654,55	ERJ6GEYJ152	M.RESISTOR CH 1/10W 1.5K	2	
R6656	ERJ6GEYJ271	M.RESISTOR CH 1/10W 270	1	
R6657	ERJ6GEYJ102	M.RESISTOR CH 1/10W 1K	1	
R6658	ERJ6GEYJ681	M.RESISTOR CH 1/10W 680	1	
R6659	ERJ6GEYJ272	M.RESISTOR CH 1/10W 2.7K	1	
R6660	ERJ6GEYJ391	M.RESISTOR CH 1/10W 390	1	
R6662	ERJ6GEYJ471	M.RESISTOR CH 1/10W 470	1	
R6663	ERJ6GEYJ222	M.RESISTOR CH 1/10W 2.2K	1	
R6664	ERJ6GEYJ272	M.RESISTOR CH 1/10W 2.7K	1	
R6665	ERJ6GEYJ182	M.RESISTOR CH 1/10W 1.8K	1	
R6666	ERJ6GEYJ332	M.RESISTOR CH 1/10W 3.3K	1	
R6667	ERJ6GEYJ223	M.RESISTOR CH 1/10W 22K	1	
R6672	ERJ6GEYJ103	M.RESISTOR CH 1/10W 10K	1	
R6673	ERJ6GEYJ561	M.RESISTOR CH 1/10W 560	1	
R6677,78	VRE0034E471	M.RESISTOR CH 1/10W 470	2	
R6680	ERJ6GEYJ103	M.RESISTOR CH 1/10W 10K	1	
R6681	ERJ6GEYJ152	M.RESISTOR CH 1/10W 1.5K	1	
R6683	ERJ6GEYJ104	M.RESISTOR CH 1/10W 100K	1	
R6684	ERJ6GEYJ103	M.RESISTOR CH 1/10W 10K	1	
R6685	ERJ6GEYJ152	M.RESISTOR CH 1/10W 1.5K	1	
R6686,87	ERJ6GEYJ330	M.RESISTOR CH 1/10W 33	2	
R6689	ERJ6GEYJ152	M.RESISTOR CH 1/10W 1.5K	1	
R6690	ERJ6GEYJ102	M.RESISTOR CH 1/10W 1K	1	
R6691	ERJ6GEYJ152	M.RESISTOR CH 1/10W 1.5K	1	
R6694	ERJ6GEYJ104	M.RESISTOR CH 1/10W 100K	1	
R6695	ERJ6GEYJ331	M.RESISTOR CH 1/10W 330	1	
R6698	ERJ6GEYOR00	M.RESISTOR CH 1/10W 0	1	
VR4005-08	EVN32CA00B53	V.RESISTOR	5K	4
X6601	VSX0316	CRYSTAL OSCILLATOR	1	<R>

Ref.No.	Part No.	Part Name & Description	Pcs	Remarks
	VEP06909A	P.C. BOARD W/COMPONENT		AG-8700E
		REAR JACK		
J6701-04	VJS3154	CONNECTOR (FEMALE)	4	
J6705	VJS3155	CONNECTOR	1	
J6709	VJP3414A015	CONNECTOR	1	
J6711-13	VJS3154	CONNECTOR (FEMALE)	3	
J6714,15	VJS3155	CONNECTOR	2	
J6716-18	VJS3154	CONNECTOR (FEMALE)	3	
J6719	VJJ0322	RCA PIN JACK	1	
J6720,21	VJS3154	CONNECTOR (FEMALE)	2	
P6701	VJS3215B012	CONNECTOR (FEMALE) 12P	1	
P6702	VJS3215B008	CONNECTOR	1	
P6703	VJS3215B012	CONNECTOR (FEMALE) 12P	1	
P6704	VJS3215B010	CONNECTOR	1	
P6705	VJP3080	CONNECTOR (MALE)	1	
R6701,02	EROS2CKG75R0	M.RESISTOR 1/4W 75	2	
R6704-06	EROS2CKG75R0	M.RESISTOR 1/4W 75	3	
R6707	EROS2CKG68R0	M.RESISTOR 1/4W 68	1	
R6708-14	EROS2CKG75R0	M.RESISTOR 1/4W 75	7	
R6718,19	ERDS2TJ104	C.RESISTOR 1/4W 100K	2	
SW6701,02	VSS0303	SWITCH	2	<R>
		MISCELLANEOUS		
	VMP4232	CONNECTOR ANGLE	1	
E99	VMX2078	SPACER	3	
	VXQ0102	SCREW	2	
	XTV3+8FFZ	SCREW	2	

Ref.No.	Part No.	Part Name & Description	Pcs	Remarks
	VEP06909B	P.C.BOARD W/COMPONENT REAR JACK		AG-B600E
J6703,04	VJS3154	CONNECTOR (FEMALE)	2	
J6709	VJP3414A015	CONNECTOR	1	
J6711-13	VJS3154	CONNECTOR (FEMALE)	3	
J6714,15	VJS3155	CONNECTOR	2	
J6716-18	VJS3154	CONNECTOR (FEMALE)	3	
J6719	VJJ0322	RCA PIN JACK	1	
J6721	VJS3154	CONNECTOR (FEMALE)	1	
P6701	VJS3215B012	CONNECTOR (FEMALE) 12P	1	
P6703	VJS3215B012	CONNECTOR (FEMALE) 12P	1	
P6704	VJS3215B010	CONNECTOR	1	
P6705	VJP3080	CONNECTOR (MALE)	1	
R6702	EROS2CKG75R0	M.RESISTOR 1/4W 75	1	
R6705,06	EROS2CKG75R0	M.RESISTOR 1/4W 75	2	
R6707	EROS2CKG68R0	M.RESISTOR 1/4W 68	1	
R6708-14	EROS2CKG75R0	M.RESISTOR 1/4W 75	7	
R6719	ERDS2TJ104	C.RESISTOR 1/4W 100K	1	
SW6702	VSS0303	SWITCH	1	<R>
		MISCELLANEOUS		
	VMP4232	CONNECTOR ANGLE	1	
E99	VMX2078	SPACER	3	
	VXQ0102	SCREW	2	
	XTV3+8FFZ	SCREW	2	

Ref.No.	Part No.	Part Name & Description	Pcs	Remarks
	VEK4265	P.C.BOARD W/COMPONENT REV TENSION SENSOR UNIT		
		MISCELLANEOUS		
E156	VMA7987	REV PHOTO HOLDER	1	
E157	OM1108	PHOTO INTERRUPTER	1	<R>
E94	XTV26+4F	SCREW	1	
	VEK4058	P.C.BOARD W/COMPONENT PHOTO TR (R) UNIT		
		MISCELLANEOUS		
E92	VMD0645	PHOTO TR HOLDER	1	
	VEK3578	P.C.BOARD W/COMPONENT PHOTO TR (L) UNIT		
		MISCELLANEOUS		
E91	VMD0645	PHOTO TR HOLDER	1	
	VEK5556	P.C.BOARD W/COMPONENT SEARCH DIAL UNIT		
		MISCELLANEOUS		
E87	VSQ0651	JOG/SHUTTLE UNIT	1	<R>
E88	XTV3+6F	SCREW	2	
E89	XTV3+8J	SCREW	3	
E90	XYE3+EF6	SCREW	1	